

ADDENDUM NO. 1
to
Drawings
for
VA Omaha Boiler Replacement
Omaha, Nebraska

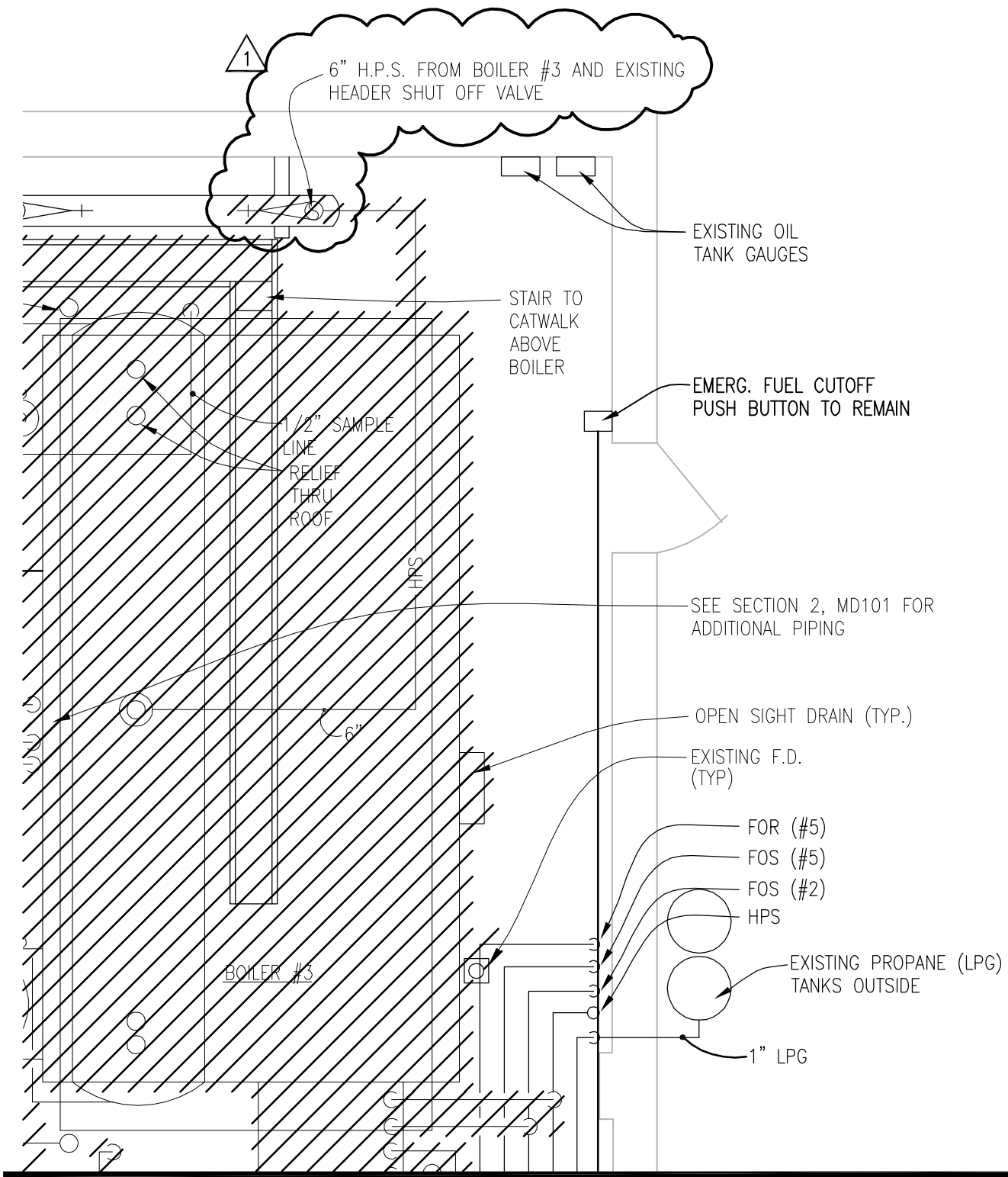
LEO A DALY
PLANNING·ARCHITECTURE·ENGINEERING·INTERIORS

DALY Project No. 003-10099-009
September 30, 2013

NOTICE TO ALL BIDDERS: The following Drawings for the above referenced project are hereby revised as follows:

DRAWINGS

- | | |
|---------------|--|
| ITEM NO. G1-1 | <u>SHEET MD101-MECHANICAL ROOM DEMOLITION PLAN</u>
a) See Partial Sheet MD101a ISSUED with this Addendum. |
| ITEM NO. G1-2 | <u>SHEET MD102-MECHANICAL DEMOLITION PIPING SCHEMATICS</u>
a) See Partial Sheet MD102a ISSUED with this Addendum. |
| ITEM NO. G1-3 | <u>SHEET MD103-MECHANICAL ROOM DEMOLITION PLAN</u>
a) See Partial Sheet MD103a ISSUED with this Addendum. |
| ITEM NO. G1-4 | <u>SHEET MH101-MECHANICAL ROOM PLAN</u>
a) See Partial Sheet MD101a ISSUED with this Addendum. |
| ITEM NO. G1-5 | <u>SHEET MH103-MECHANICAL PIPING SCHEMATICS</u>
a) See Partial Sheet MD103a ISSUED with this Addendum. |



LEO A DALY

PLANNING
ARCHITECTURE
ENGINEERING
INTERIORS

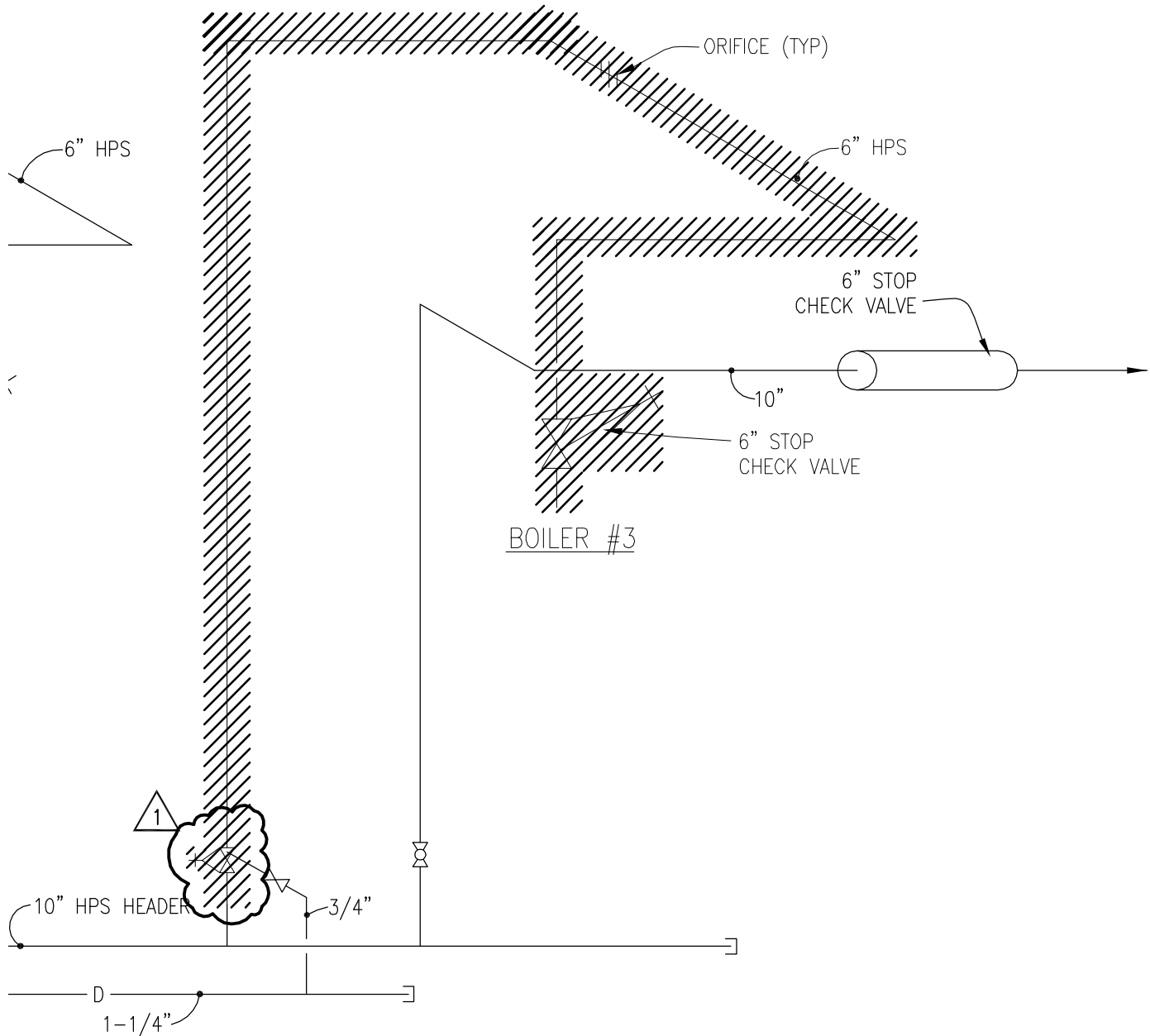
8600 Indian Hills Drive Omaha NE 68114 USA
Tel 402-391-8111 Fax 402-391-8564

VA BOILER REPLACEMENT

JOB NO. 003-10099-009
DRAWN BY: TRF
CHECKED BY: KRC



ADDENDUM NO. 1
DATE: SEPTEMBER 30, 2013
DRAWING: MD101a



LEO A DALY

PLANNING
ARCHITECTURE
ENGINEERING
INTERIORS

8600 Indian Hills Drive Omaha NE 68114 USA
Tel 402-391-8111 Fax 402-391-8564

VA BOILER REPLACEMENT

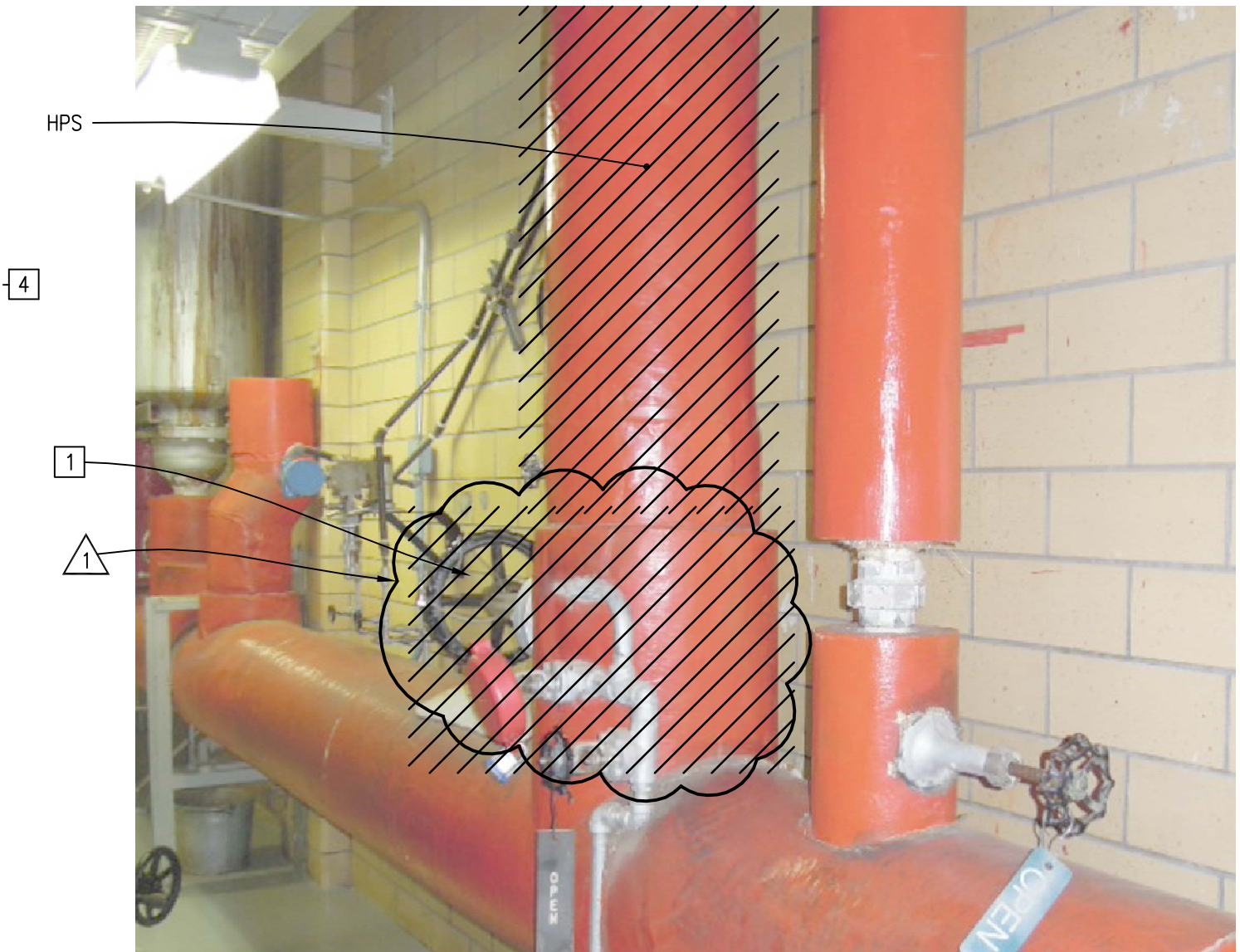
JOB NO. 003-10099-009
DRAWN BY: TRF
CHECKED BY: KRC



ADDENDUM NO. 1

DATE: SEPTEMBER 30, 2013

DRAWING: MD102a



1

DEMOLITION KEYED NOTES:

- 1 REMOVE STEAM PIPING FROM BOILER CONNECTION TO STEAM HEADER. PROVIDE NEW 6" ISOLATION VALVE FOR BOILER.
- 2 REMOVE (3) FUEL OIL LINES TO LOCATION SHOWN. CAP FOR CONNECTION OF NEW PIPING.
- 3 REMOVE BOILER STEAM SUPPLY PIPING.

LEO A DALY

PLANNING
ARCHITECTURE
ENGINEERING
INTERIORS

8600 Indian Hills Drive Omaha NE 68114 USA
Tel 402-391-8111 Fax 402-391-8564

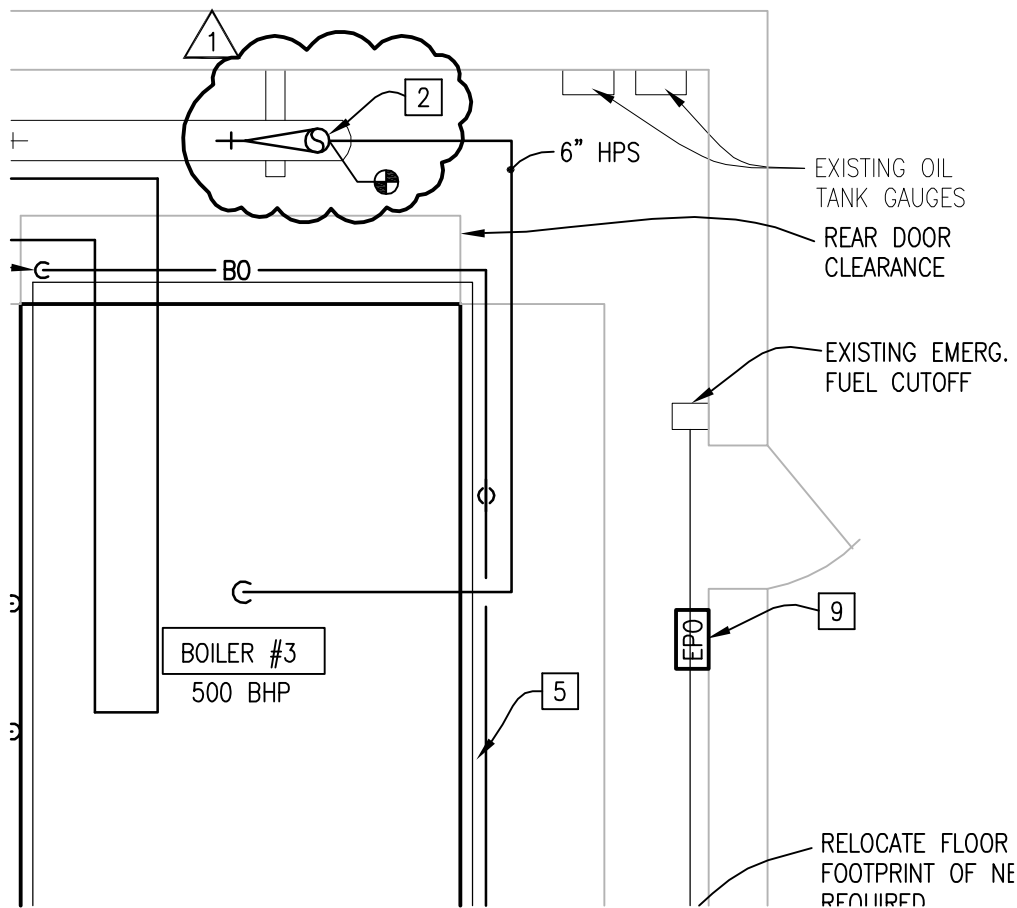
VA BOILER REPLACEMENT

JOB NO. 003-10099-009
DRAWN BY: TRF
CHECKED BY: KRC

1

ADDENDUM NO. 1
DATE: SEPTEMBER 30, 2013

DRAWING: MD103a



KEYED NOTES:

- 1 NEW CHEMICAL SHOT TYPE FEEDER.
- 2 PROVIDE NEW STEAM SHUT OFF VALVE TO SERVE BOILER #3.
- 3 NEW BOILER CONTROL PANEL, BURNER, AND AIR COMPRESSOR SHALL BE SKID MOUNTED. PROVIDE SINGLE POINT POWER CONNECTION.

LEO A DALY

PLANNING
ARCHITECTURE
ENGINEERING
INTERIORS

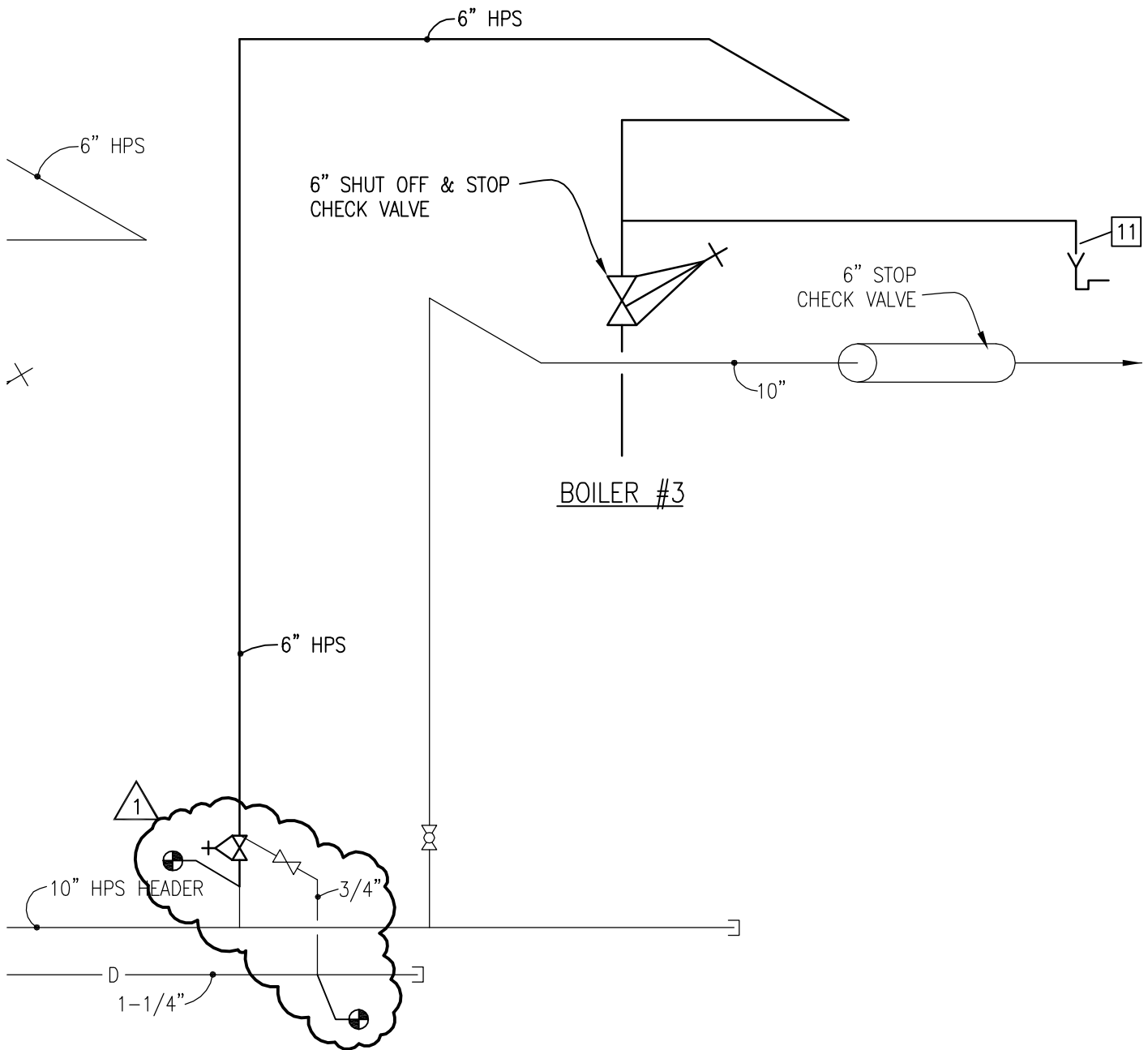
8600 Indian Hills Drive Omaha NE 68114 USA
Tel 402-391-8111 Fax 402-391-8564

VA BOILER REPLACEMENT

JOB NO. 003-10099-009
DRAWN BY: TRF
CHECKED BY: KRC



ADDENDUM NO. 1
DATE: SEPTEMBER 30, 2013
DRAWING: **MH101a**



LEO A DALY

PLANNING
ARCHITECTURE
ENGINEERING
INTERIORS

8600 Indian Hills Drive Omaha NE 68114 USA
Tel 402-391-8111 Fax 402-391-8564

VA BOILER REPLACEMENT

JOB NO. 003-10099-009

DRAWN BY: TRF

CHECKED BY: KRC



ADDENDUM NO. 1

DATE: SEPTEMBER 30, 2013

DRAWING: **MH103a**