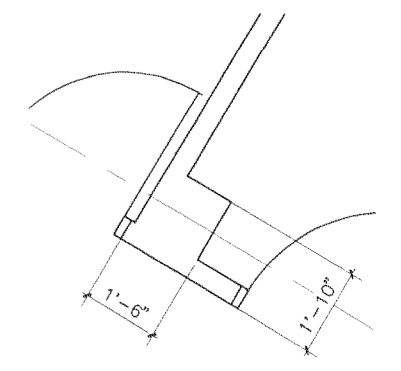


**1 STRUCT. STL. TUBE**  
 T1-21A  
 SCALE 1/2" = 1'-0"



**2 PIPE CHASE**  
 T1-21A  
 SCALE 1/2" = 1'-0"

NOTES:  
 1. ALL DIMENSIONS SHOWN ARE FROM FACE OF FINISH, UNLESS OTHERWISE NOTED.  
 2. FOR SIGN TYPES SEE T1-100.

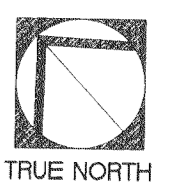
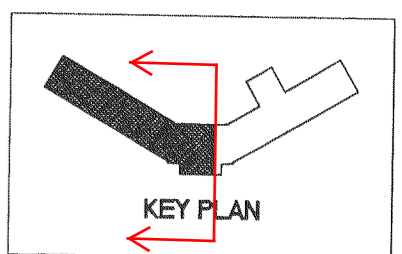
**PARTIAL FIRST FLOOR DIMENSION AND SIGNAGE PLAN**  
 SCALE: 1/8" = 1'-0"

**WALL LEGEND:**

	NEW STRUCT. BEARING WALL
	NEW CMU WALL
	ACOUSTICAL INSULATION
	NEW FULL HEIGHT FIXED PARTITION
	NEW PARTIAL HEIGHT PORTABLE PARTITION
	EXISTING CONSTRUCTION TO REMAIN

LEGEND:  
 (N) NEW  
 (E) EXISTING

**Phase Ewa**



AMENDMENT NO. 2	4/16/87
Revisions	Date

BID SET DOCUMENTS

**ARCHITECTS HAWAII LIMITED**  
 1001 Bishop Street, Pacific 300  
 Honolulu, Hawaii 96813  
 Telephone: (808) 523-9636  
 FAX: (808) 521-3280

This work was prepared by me or under my supervision and construction of this project will be under my supervision.  
 Signature: *[Signature]*  
 NOTE: Contractor to check and verify all dimensions at job before proceeding with work.



Drawing Title  
**PARTIAL FIRST FLOOR DIMENSION AND SIGNAGE PLAN**  
 Approved: Area Project Manager  
*[Signature]*

Project Title  
**AMBULATORY CARE CLINIC AND RENOVATE E-WING PHASE II, E-WING RENOVATION**  
 Building Number: T1  
 Checked: LK  
 Drawn: TEAM  
 Location: VAMROC, HONOLULU, HAWAII

AMENDMENT DRAWING - AMENDS 8HT, T1-21A  
 Date: MARCH 20, 1987  
 Project No.: 499-002B  
 Drawing No.: T1-21AR2  
 Dwg. 43 of 362

