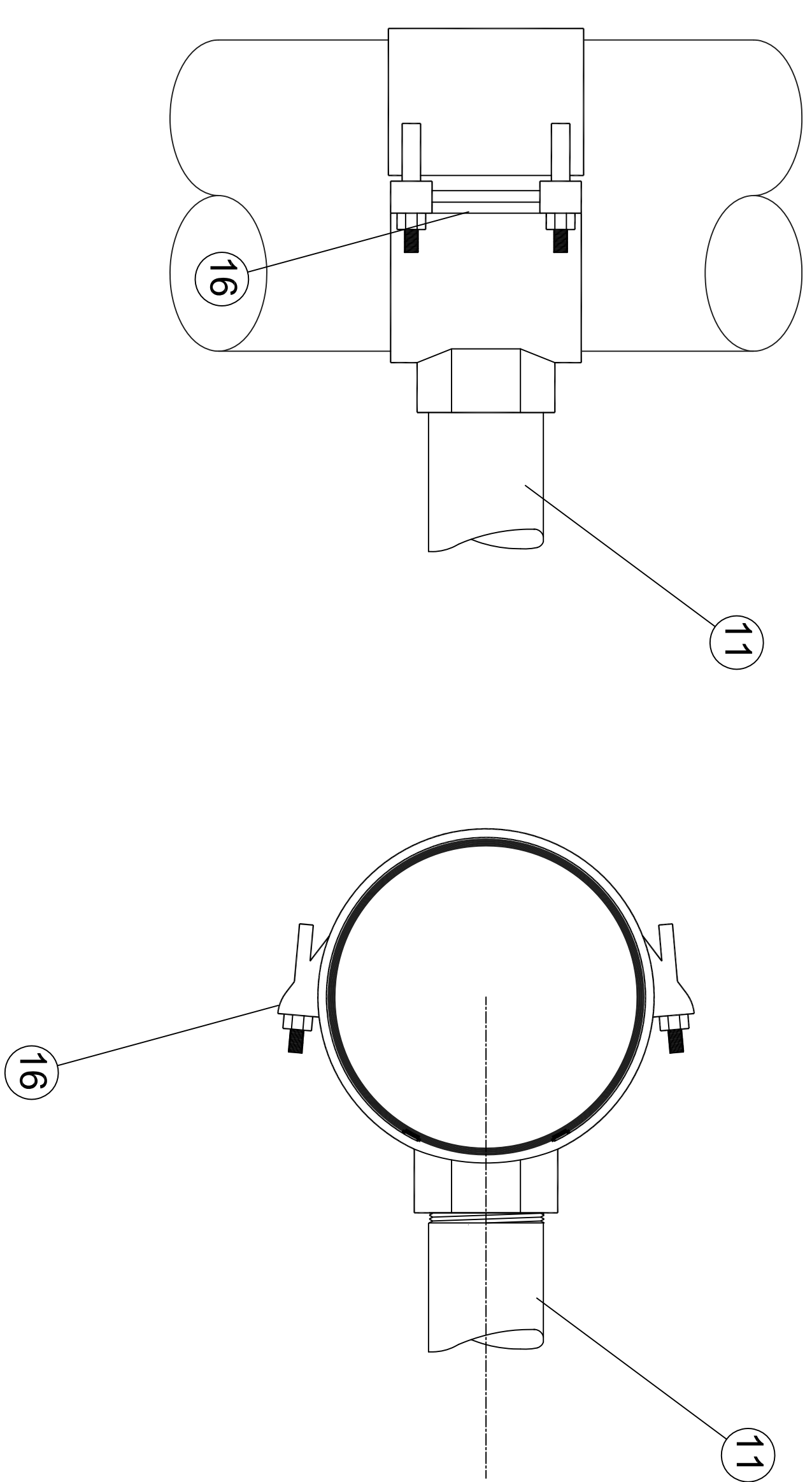


NOTES:
 1. 1 1/2 CU YDS. OF COARSE ROCK TO BE USED AS AROUND FILL AROUND HYDRANTS.
 2. KEEP HYDRANT DRAIN CLEAR.
 3. 6" OF HYDRANT TO BE 60" BEHIND BACK OF CURB.
 4. HYDRANT TO BE ROTATED AS DIRECTED BY COR.

1 POST HYDRANT ASSEMBLY
 N.T.S.

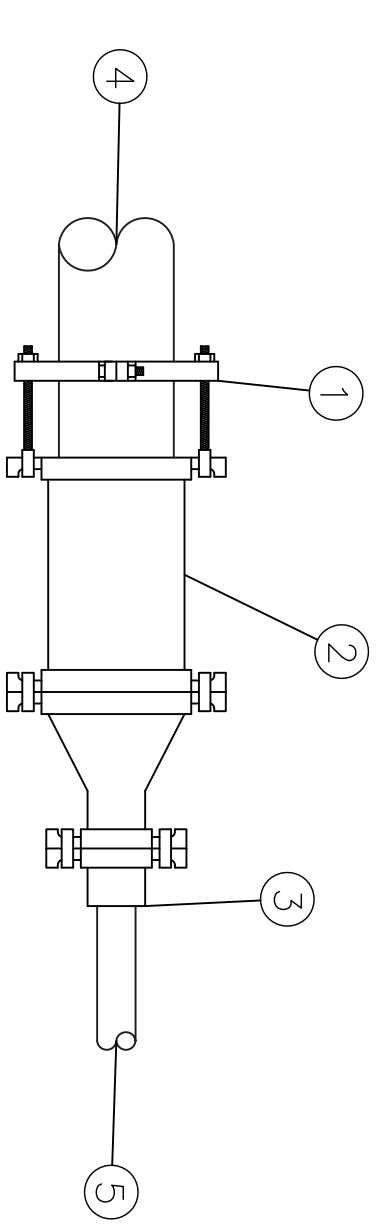
KEYED NOTES, DETAILS 1 & 2:

- ① OPERATING NUT
- ② ANTI-VANDAL CAP LOCKING LUG
- ③ HEADSTOCK
- ④ TYPE D CAMLOCK CONNECTOR (FEMALE CAM, FEMALE NTP)
- ⑤ 24" DIAM. CIRCLE WITH MULCH
- ⑥ TRAFFIC FLANGE
- ⑦ VARIABLE DEPTH OF BURY
- ⑧ VALVE HOUSING
- ⑨ DRAIN PORT
- ⑩ 3/4" DIAM. WASHED CRUSHED STONE (OR APPROVED EQUAL)
- ⑪ D.I. PIPE NIPPLE, MIPs, LENGTH AS REQUIRED
- ⑫ HORIZONTAL 2" FIPS THREADED
- ⑬ C.I.P. THRUST BLOCK OR ANCHOR BLOCK
- ⑭ UNDISTURBED EARTH
- ⑮ MAINLINE, 48" DEPTH TYP.
- ⑯ SERVICE SADDLE (DUAL BAND OR WIDE BAND STRAP), 2" FIPS THREADED OUTLET



NOTE:
 TAPS SHALL BE HORIZONTALLY PLUMB AS INDICATED. NO TAP SHALL BE INSTALLED BELOW THE HORIZONTAL DIAMETER OF THE MAIN

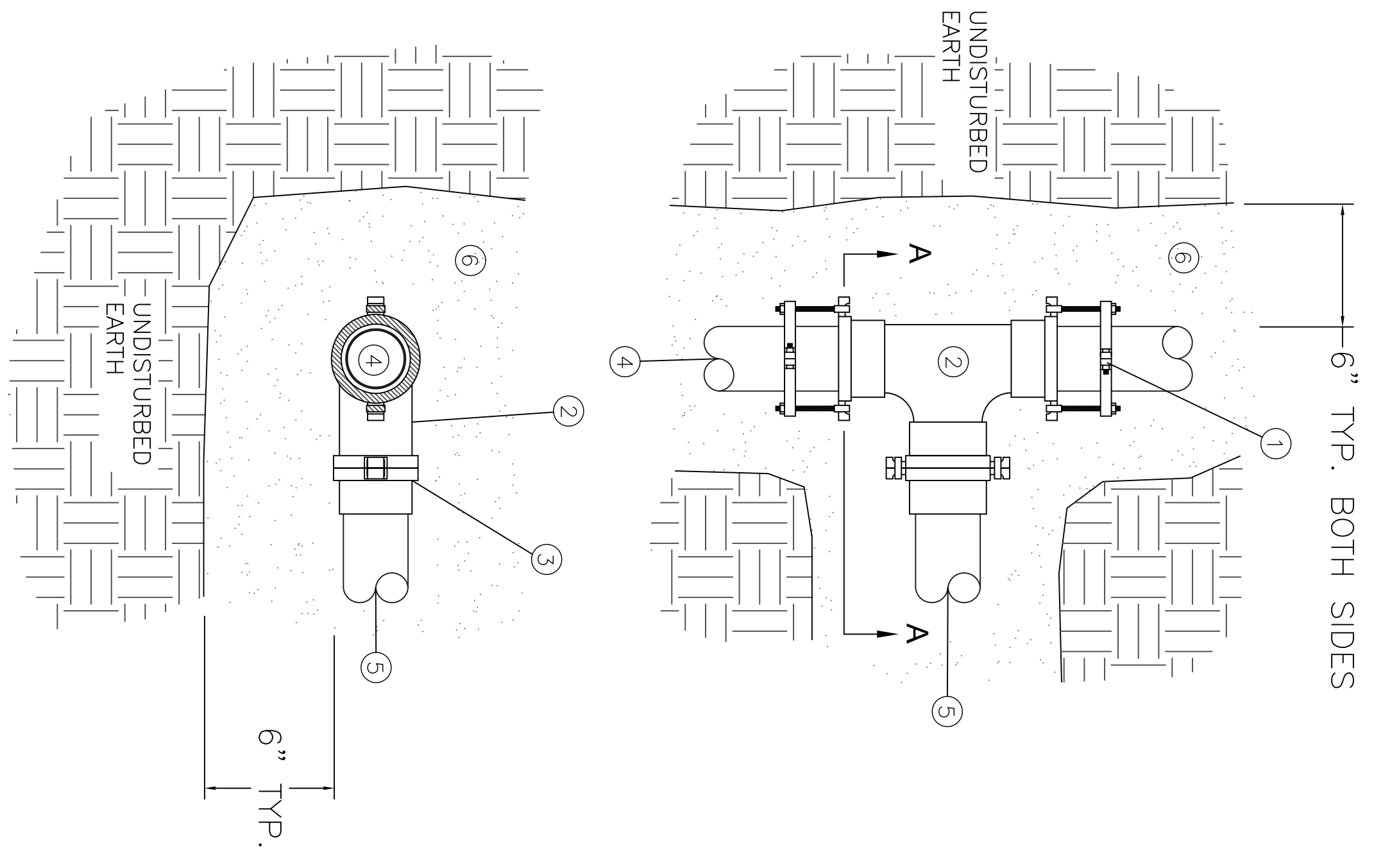
2 SERVICE SADDLE WATER CONNECTION
 N.T.S.



KEYED NOTES:

- ① HARCO DUCTILE IRON (D.I.) JOINT RESTRAINT (OR APPROVED EQUAL) SIZE TO MATCH PIPE
- ② HARCO 6"x3" D.I. BELL-BELL REDUCER (OR APPROVED EQUAL)
- ③ HARCO 3"x2" TAPPED PLUG ADAPTOR, FEMALE NPT
- ④ 6" PVC WATER MAIN
- ⑤ 2" D.I. PIPE NIPPLE, MIPs

3 TEE JOINT AND RESTRAINT
 N.T.S.

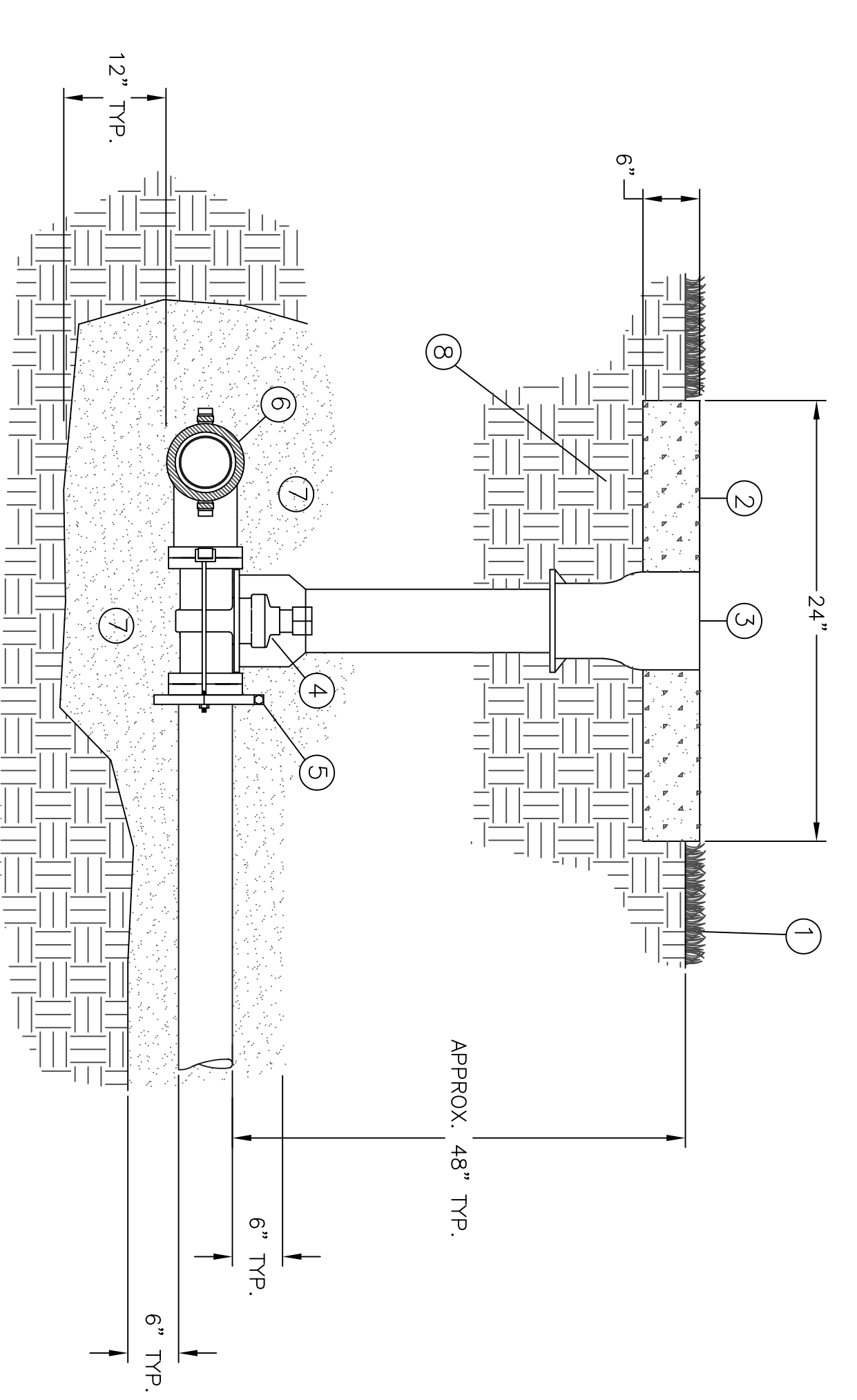


KEYED NOTES:

- ① HARCO DUCTILE IRON (D.I.) JOINT RESTRAINT (OR APPROVED EQUAL) SIZE TO MATCH PIPE
- ② HARCO 2"x3" D.I. TEE FITTING, (OR APPROVED EQUAL)
- ③ HARCO 3"x2" TAPPED PLUG ADAPTOR, FEMALE
- ④ 2" PVC WATER MAIN
- ⑤ 2" D.I. PIPE NIPPLE, MIPs
- ⑥ ENGINEERED BACKFILL

4 REDUCTION FITTING ASSEMBLY
 N.T.S.

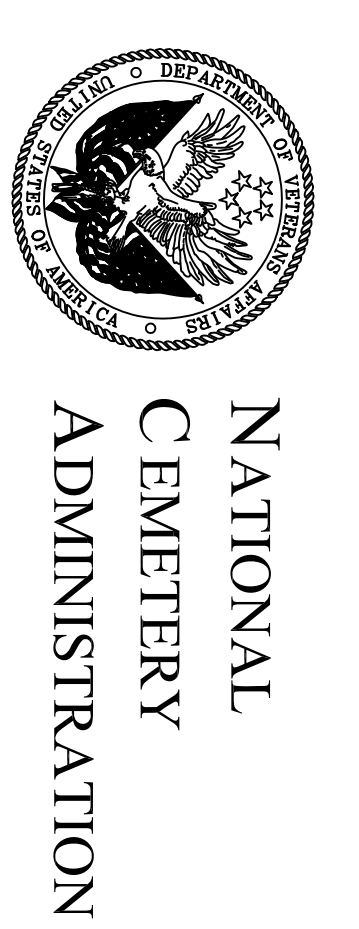
5 MANUAL ISOLATION VALVE ASSEMBLY
 N.T.S.



KEYED NOTES:

- ① FINISHED GRADE, 2" BELOW COLLAR
- ② 4000 PSI SQUARE CONCRETE FITTING-TO-BROOMED FINISH AND TOOLING EDGES
- ③ TYLER/UNION ADJUSTABLE STEEL
- ④ VALVE BOX WITH 5" STEEL LID, MODEL NO. 562A, (ADJUSTMENT RANGE FROM 27" TO 37")
- ⑤ MATCO 'O' RING GASKET IRON BODY GATE VALVE TORTIO WITH 2" OPERATING NUT; P.E. ENCASEMENT
- ⑥ ENGINEERED BACKFILL
- ⑦ COMPACT SUBGRADE TO 95%

NOTES:
 1. 4" MIN CLEARANCE BETWEEN VALVE BOX LID AND HIGHEST OBJECT IN BOX.
 2. P.E. = POLYETHYLENE



Drawing Title WATER LINE DETAILS		Project Title INSTALL POST HYDRANTS	
Approved: Division Chief	Building Number	Checked	Drawn
Approved: Service Director	CFC
Location LEAVENWORTH NATIONAL CEMETERY		Date 12/24/2013	
Project No. 897-14-201		Drawing No. L-201	
Dwg. 5 Of 5			