

RFI FORM

Contractor Name: Herrera Corporation

Address:

Phone/eMail: John@thehcorp.com

Send to: Mandy.Thompson2@va.gov

RFI (REQUEST FOR INFORMATION)			
PROJECT NO.:	570-14-101	RFI NO.:	16
PROJECT NAME:	Parking Lot Re-stripe	DATE REQUESTED:	2/7/14
SOLICITATION NO.:	VA261-14-B-0192	REFERENCE:	
DRAWING:	005	SPECIFICATION SECTION:	
DESCRIPTION OF PROBLEM OR INFORMATION BEING REQUESTED			
Per sheet 005, provide detail for '7 (N) Barrier Posts with Bituminous Pad Anchors' for bidding purposes.			
PROJECT MANAGER'S RESPONSE			
<i>Install channelizers per California D.O.T. standards. See attached drawing for reference of surface mounting (<u>DO NOT EMBED</u>). Flexible POST (ORANGE) with white reflective sheeting.</i>			
TRACKING NO.:		AMENDMENT NO.:	
VA PROJECT ENGINEER/MANAGER: <i>Jan Z Eruth J</i>		DATE: <i>2/12/2014</i>	

DIST. COUNTY STATE POST MILES SHEET TOTAL
 TOTAL PROJECT NO. SHEETS

REGISTERED CIVIL ENGINEER
 MOY 1, 2006
 PLANS APPROVAL DATE
 THE SEAL OF CONTRACTOR OR THE OFFICE OF THE REGISTERED CIVIL ENGINEER OR ARCHITECTURE OR SURVEYING UNDER THE PLAN NO. 5-30-06
 To get the Caltrans info, go to the Web/Website

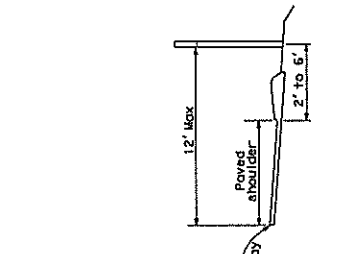
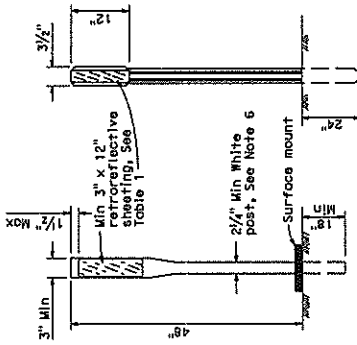


TABLE 1 - DELINEATORS

TYPE	RETROREFLECTIVE SHEETING	
	FRONT	BACK
E	White	White (See Note 1)
F	White	None
G	Yellow	None
I	Yellow	Yellow (See Note 1)
J	Red	None

NOTES:

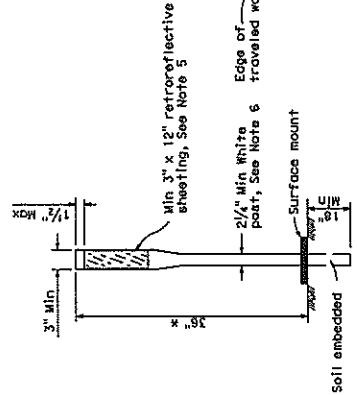
- The retroreflective sheeting used on the back of delineator shall be a minimum size of 3" x 3".
- The type of delineator to be installed will be designated on the plans.
- All barricade stripes shall be retroreflective.
- See Standard Plan A73B for Metal Post Details.
- Unless shown otherwise on the plans, or as directed by the engineer, the sheeting for permanent channelizers shall conform to the color of the pavement markings it supplements.
- Except Class 1 (Flexible Post) temporary delineators and temporary channelizers in work zones shall be orange post with white retroreflective sheeting.

STATE OF CALIFORNIA
 DEPARTMENT OF TRANSPORTATION

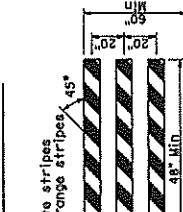
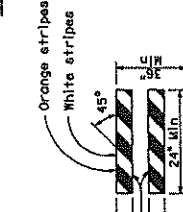
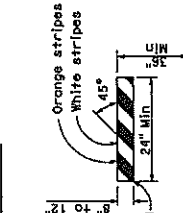
DELINEATORS, CHANNELIZERS
 AND BARRICADES

NO SCALE

A73C



DELINEATOR POSITIONING



BARRICADES (See Note 3)
 Only face of rails shown. Barricade construction materials and supports as specified in the specifications.

TABLE 2 - BARRICADES

BARRICADE	TYPE I	TYPE II	TYPE III
Width of Rail	8" Min - 12" Max *	8" Min - 12" Max *	8" Min - 12" Max *
Length of Rail	24" Min	24" Min	48" Min
Width of Stripes *	6"	6"	6"
Height	36" Min	36" Min	60" Min
Number of Railing Faces	2 (one each direction)	4 (two each direction)	3 if facing traffic in one direction 6 if facing traffic in two direction

* For the wooden option dimensions are nominal lumber dimensions.

** For rails less than 36" long, 4" wide stripes shall be used.

NOTE A:

Barricades to have a minimum of 270 square inches of retroreflective area facing traffic when used on freeways, expressways, and other high speed highway.