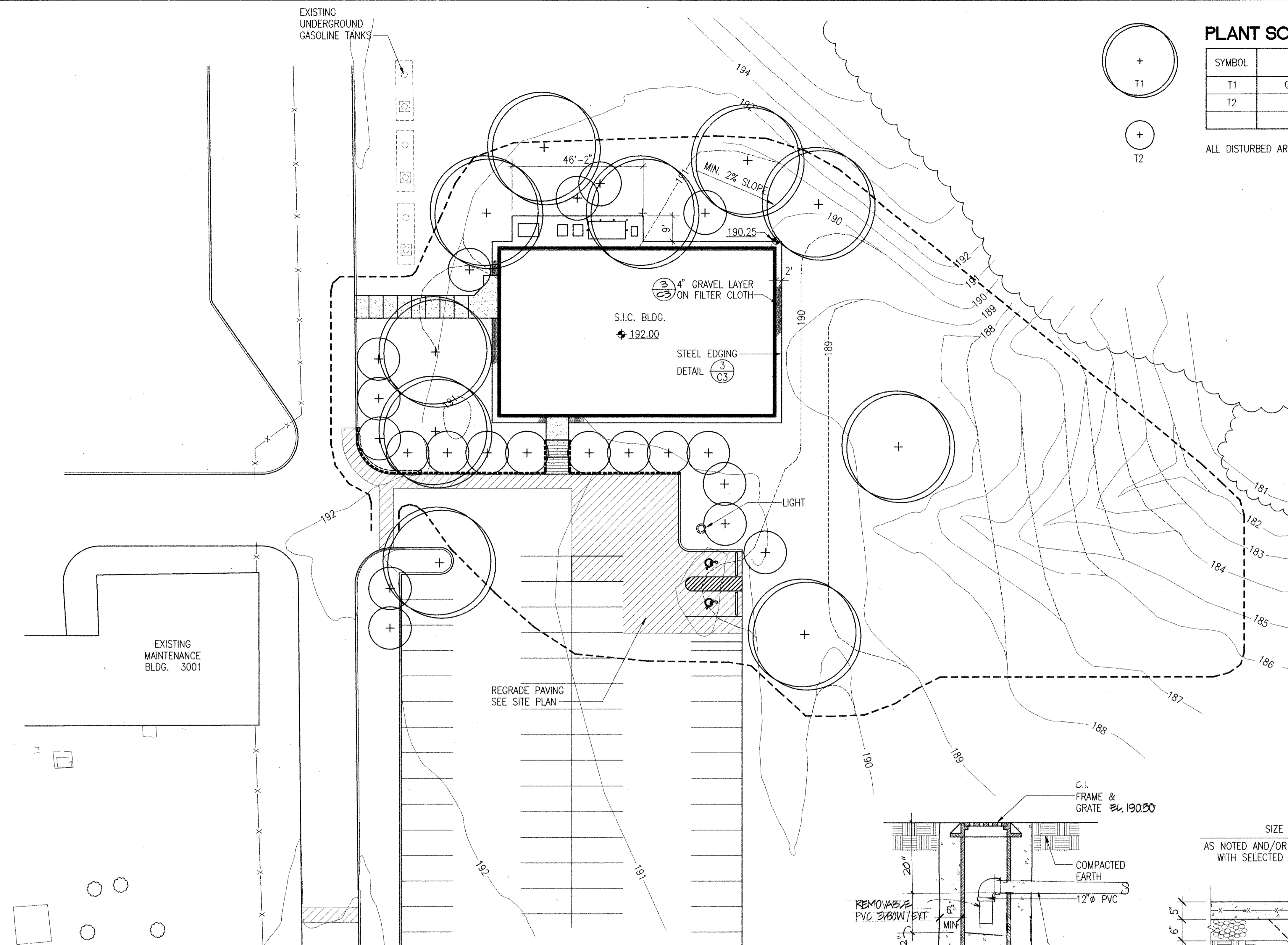


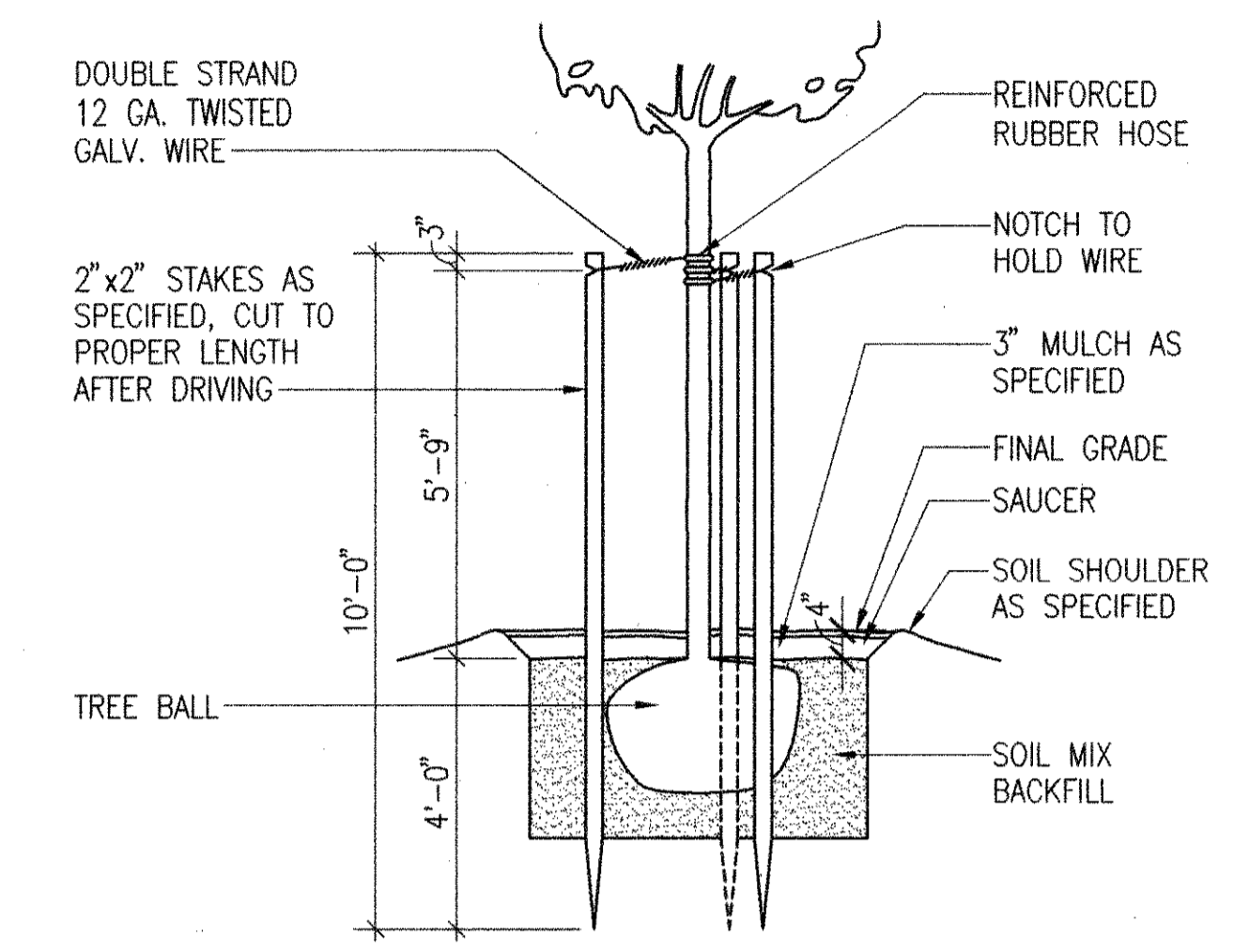
**PLANT SCHEDULE:**

SYMBOL	BOTANICAL NAME	COMMON NAME	QUANTITY	ROOT	SIZE	REMARKS
T1	QUIERCUS PHELLOS	WILLOW OAK	10	B & B	2"-2 1/2" CAL	SEE ALTERNATE #1
T2	CORNUS KOUSA	JAPANESE DOGWOOD	20	B & B	8'-10' HIGH	SEE ALTERNATE #1

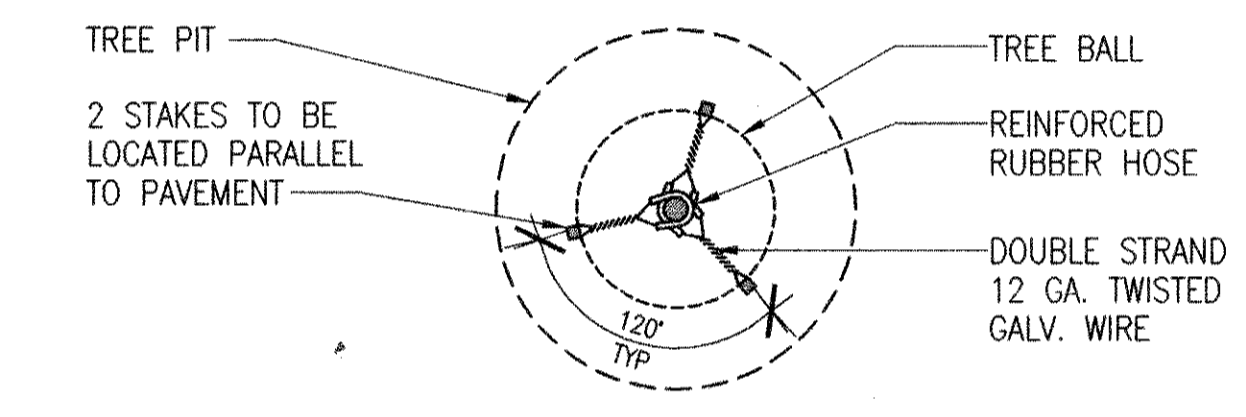
ALL DISTURBED AREAS SHALL BE SEEDED.



**1 LANDSCAPE PLAN**  
SCALE: 1" = 20'

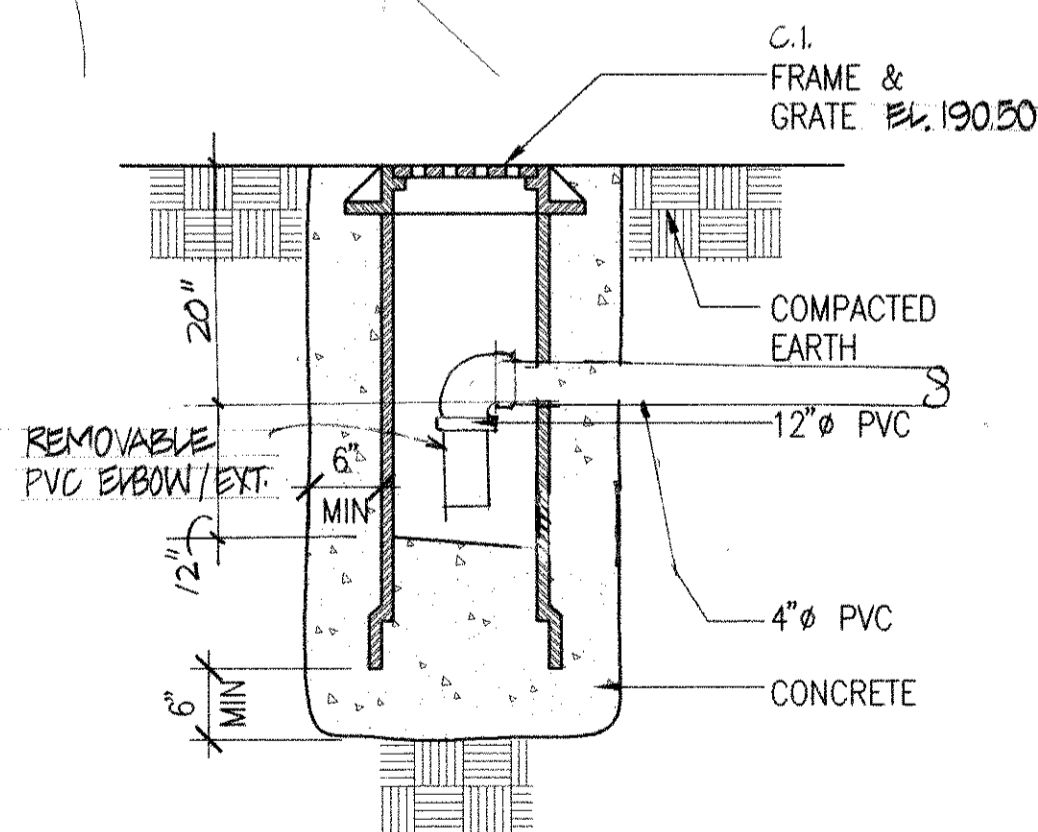


**SECTION**

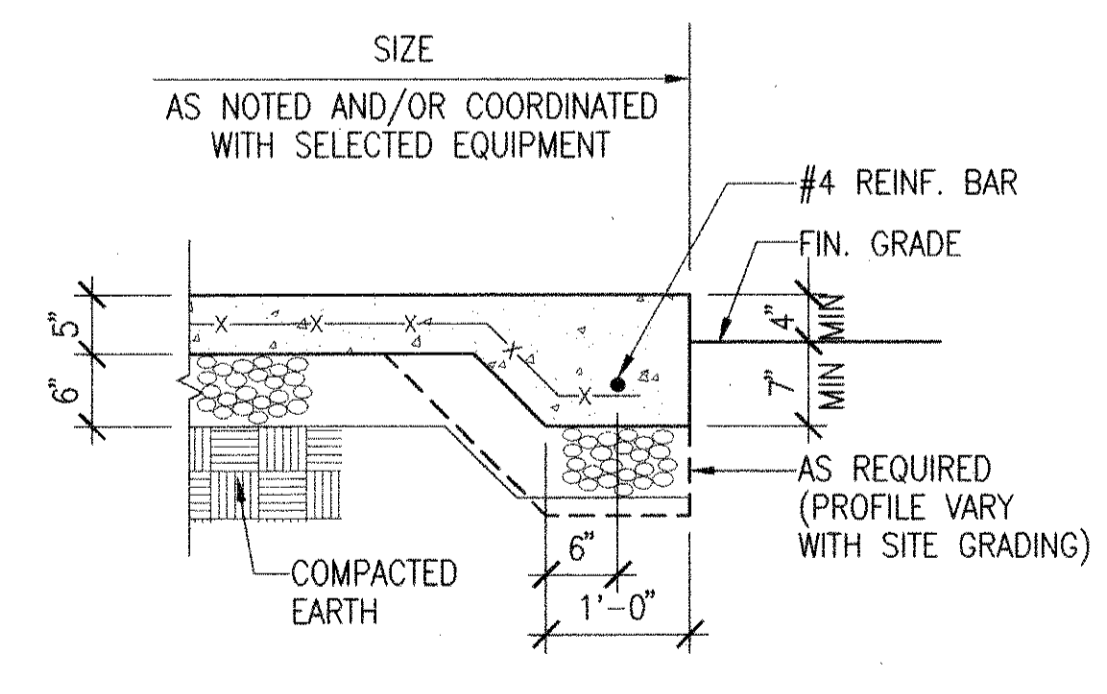


**PLAN**

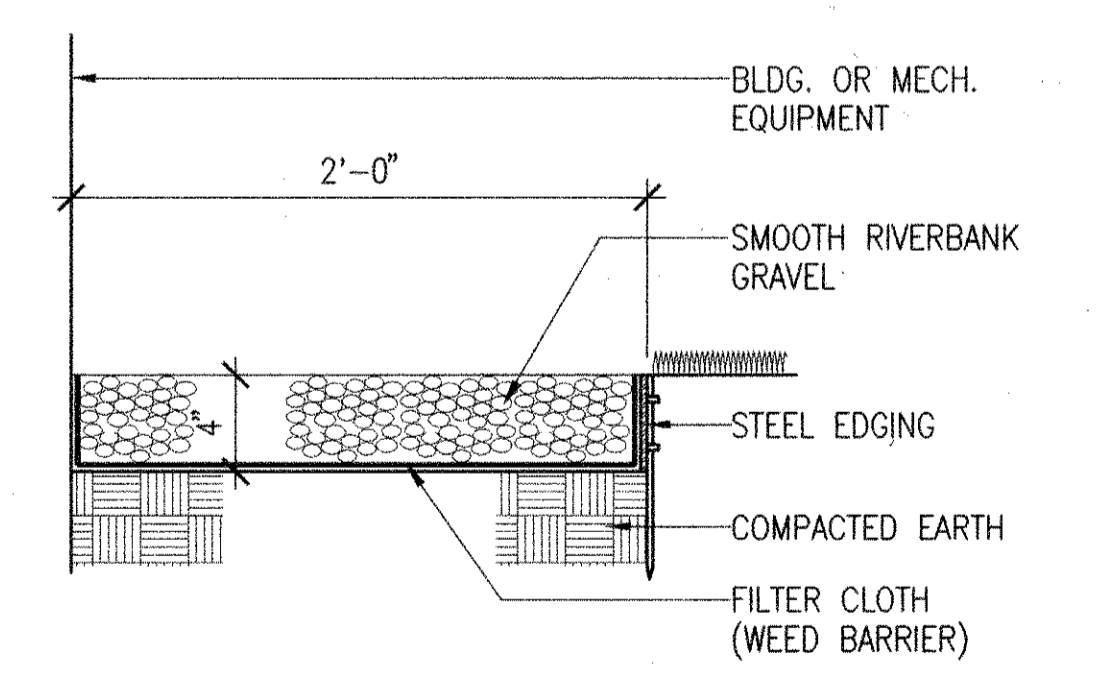
**2 TREE STAKING DETAIL**  
NOT TO SCALE



**5 AREA DRAIN DETAIL**  
SCALE: 3/4" = 1'-0"

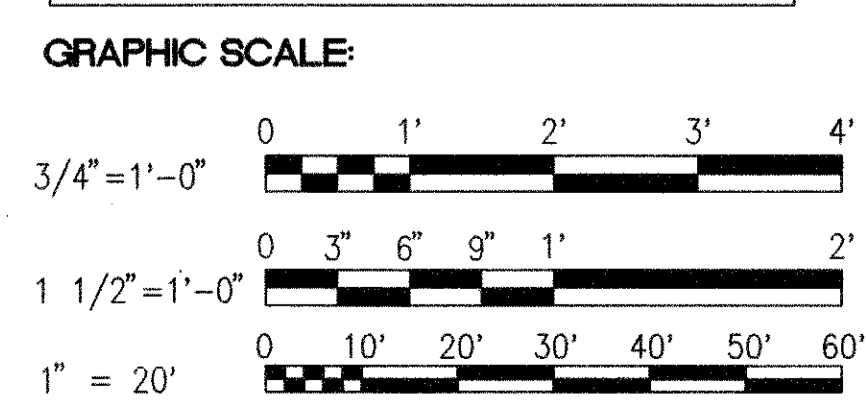


**4 TYP. EQUIPMENT PAD DETAIL**  
SCALE: 3/4" = 1'-0"



**3 STEEL EDGING DETAIL**  
SCALE: 1 1/2" = 1'-0"

CAUTION: IF THIS DRAWING IS A REDUCTION GRAPHIC SCALE MUST BE USED.



**MILLS CLAGETT & WENING CHARTERED**  
ARCHITECTS ENGINEERS PLANNERS  
5100 WISCONSIN AVE., N.W.  
SUITE 407  
WASHINGTON, D.C. 20016  
(202) 686-2500  
MCW PROJECT NO. 01495.00

**CARSON K.C. MOK**  
CONSULTING ENGINEER, P.A.  
9001 OTTAWA PLACE  
SILVER SPRING, MD 20910  
(301) 567-3446 / (301) 568-0088

**R. PETROSSIAN ASSOCIATES, L.T.D.**  
ENGINEERS CONSULTANTS PLANNERS  
1340 OLD CHAIN BRIDGE ROAD  
MCLEAN, VIRGINIA 22101  
(703) 556-0388

Drawing Title  
**LANDSCAPE PLAN**

Approved: Area Director  
Approved: Cemetery Director

Project Title  
**SYSTEMS INTEGRATION CENTER**

Building Number  
Checked  
Drawn  
AES/AMC

Location  
**Department of Veterans Affairs  
National Cemetery System  
Quantico National Cemetery, Triangle, Virginia**

Date  
**OCT. 10, 1995**  
~~AUGUST 21, 1995~~

Project No.  
**872-CM3-014**

Drawing No.  
**C3**

Sheet 4 of 28

**NATIONAL CEMETERY SYSTEM**

Department of Veterans Affairs