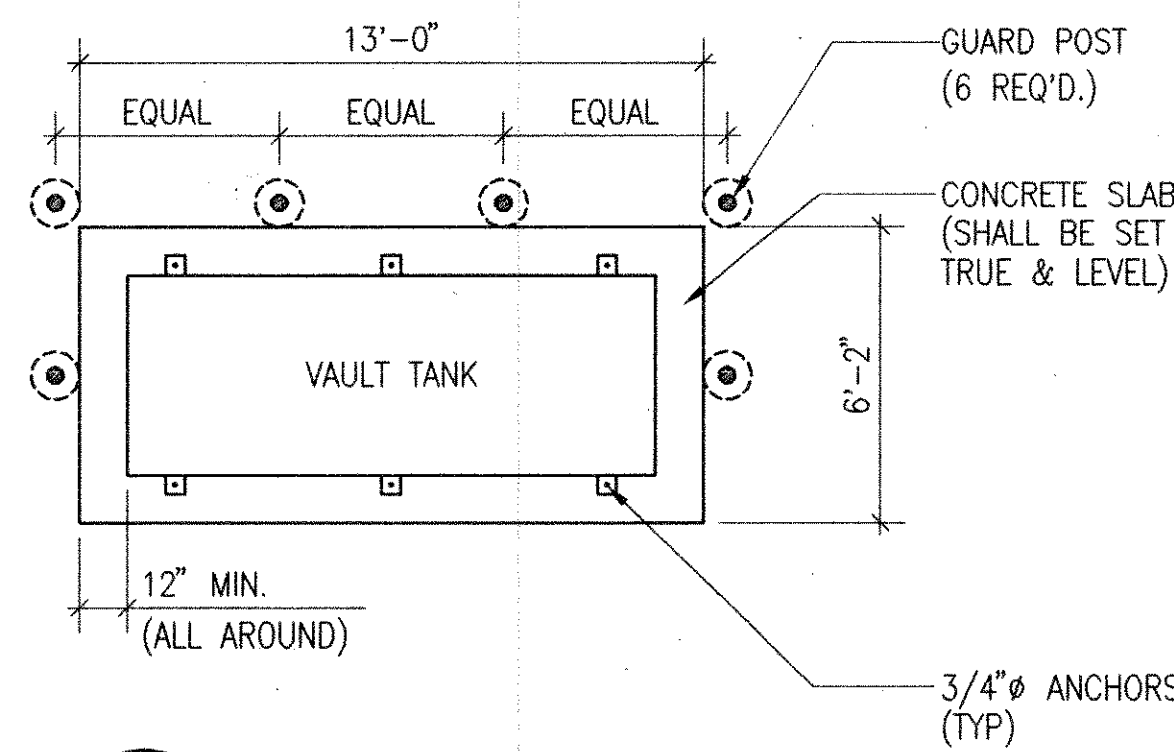
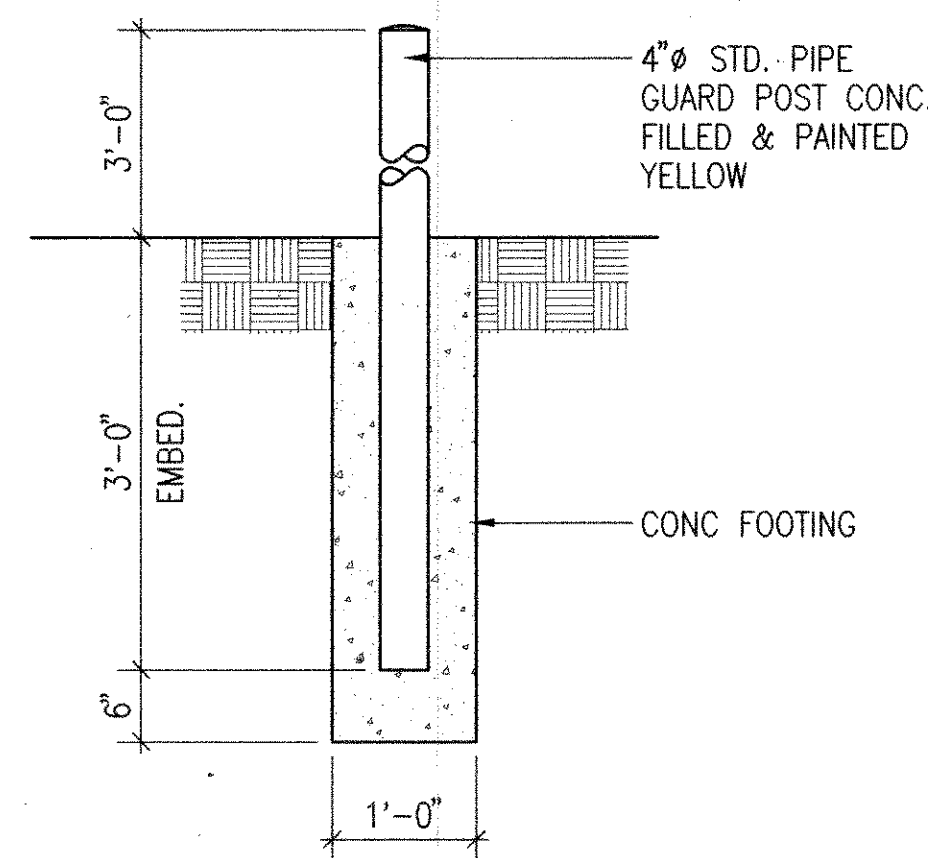


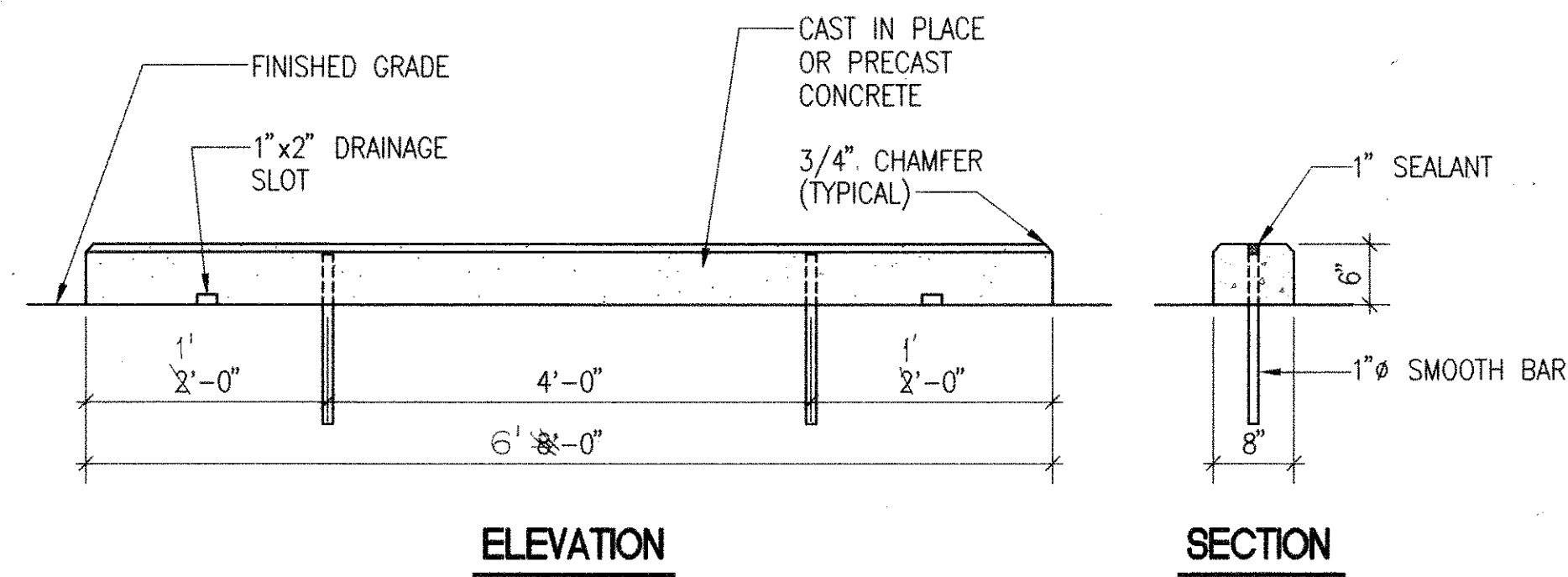
**10 CONCRETE CURB RAMP DETAIL**  
C4 SCALE: ~~3/4"~~ 1/2" = 1'-0"



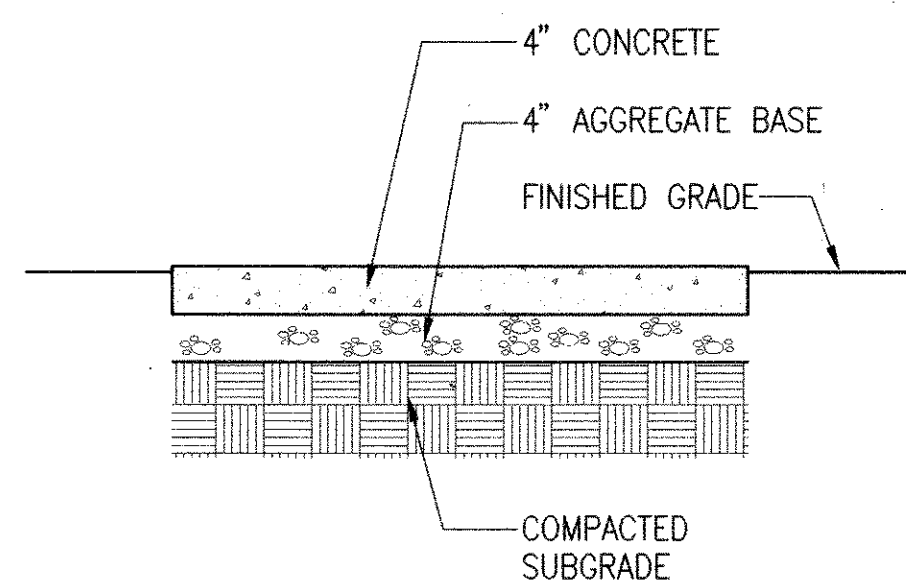
**11 VAULT TANK PAD DETAIL**  
C4 SCALE: 1/4" = 1'-0"



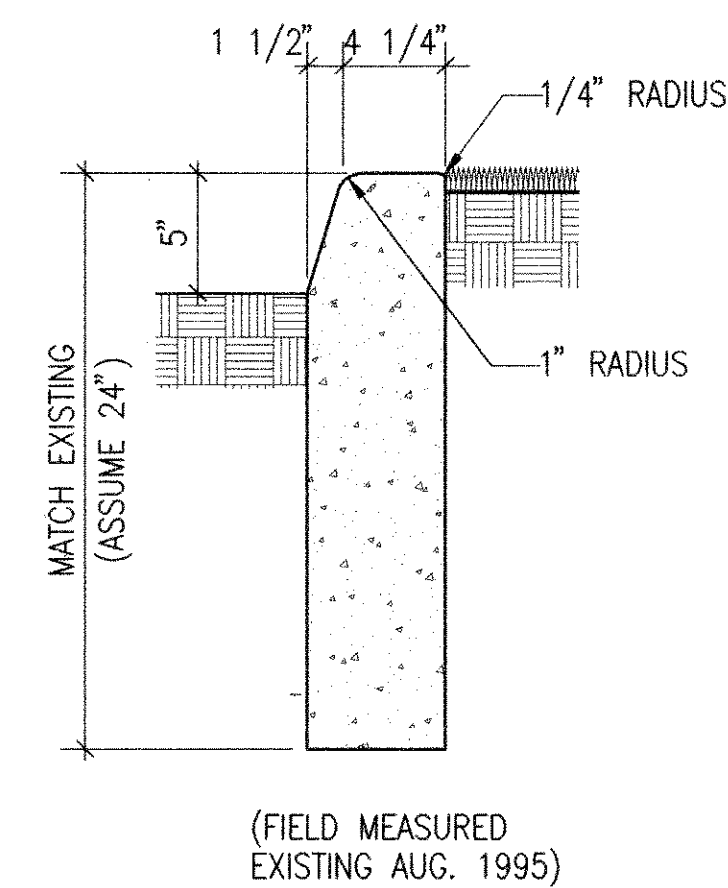
**12 TYP. GUARD POST DETAIL**  
C4 SCALE: 3/4" = 1'-0"



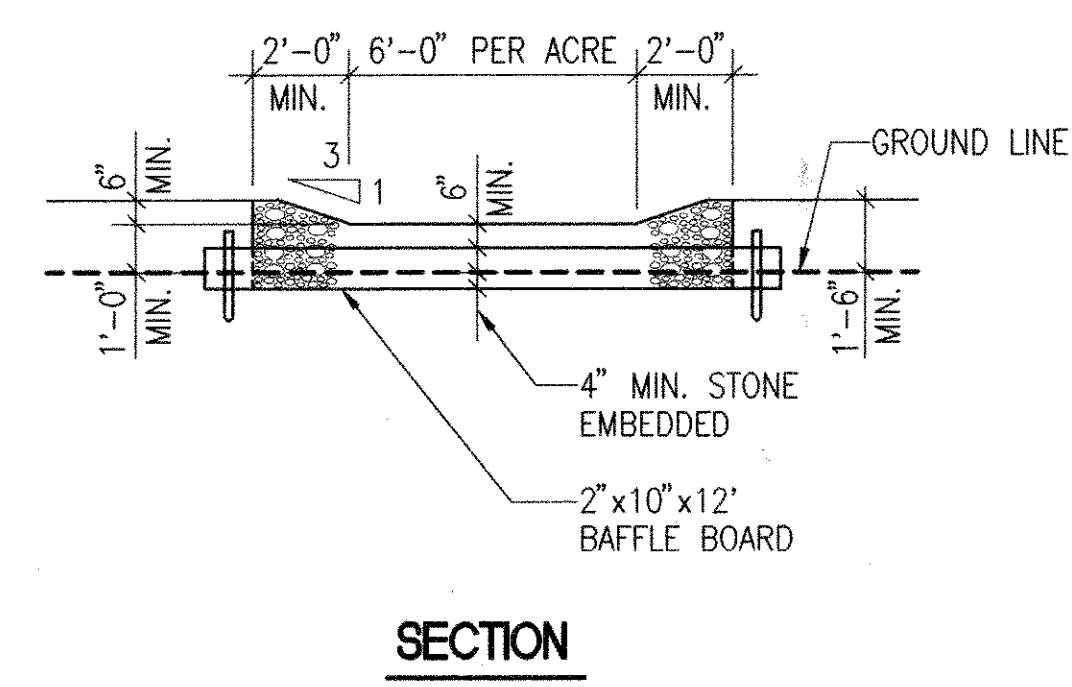
**7 CONCRETE WHEEL STOP DETAIL**  
C4 SCALE: 3/4" = 1'-0"



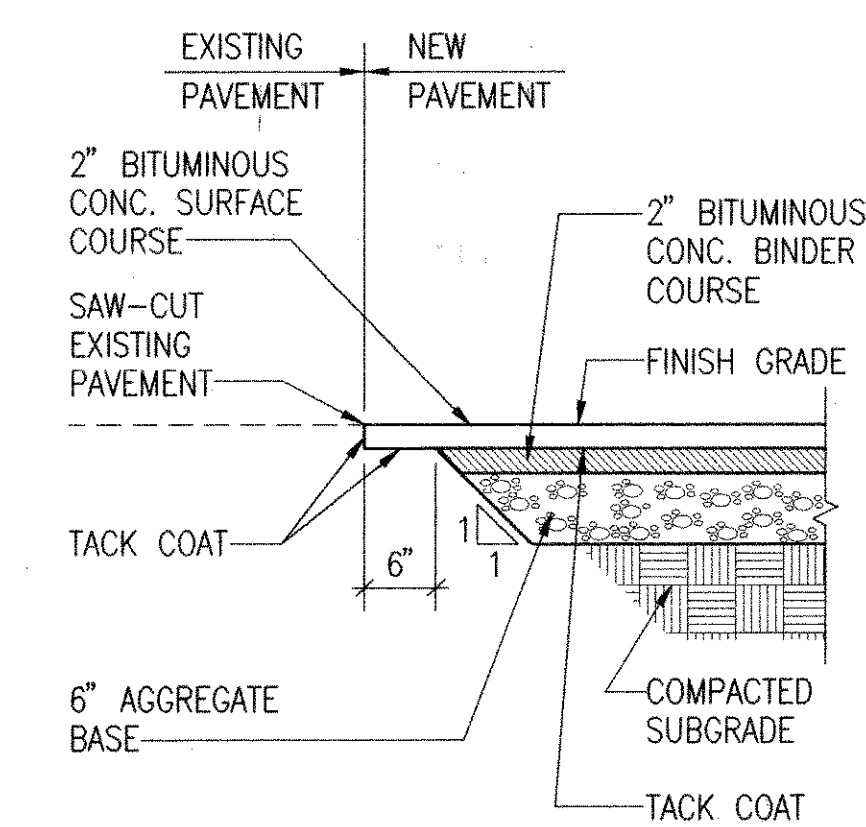
**8 SIDEWALK DETAIL**  
C4 SCALE: 3/4" = 1'-0"



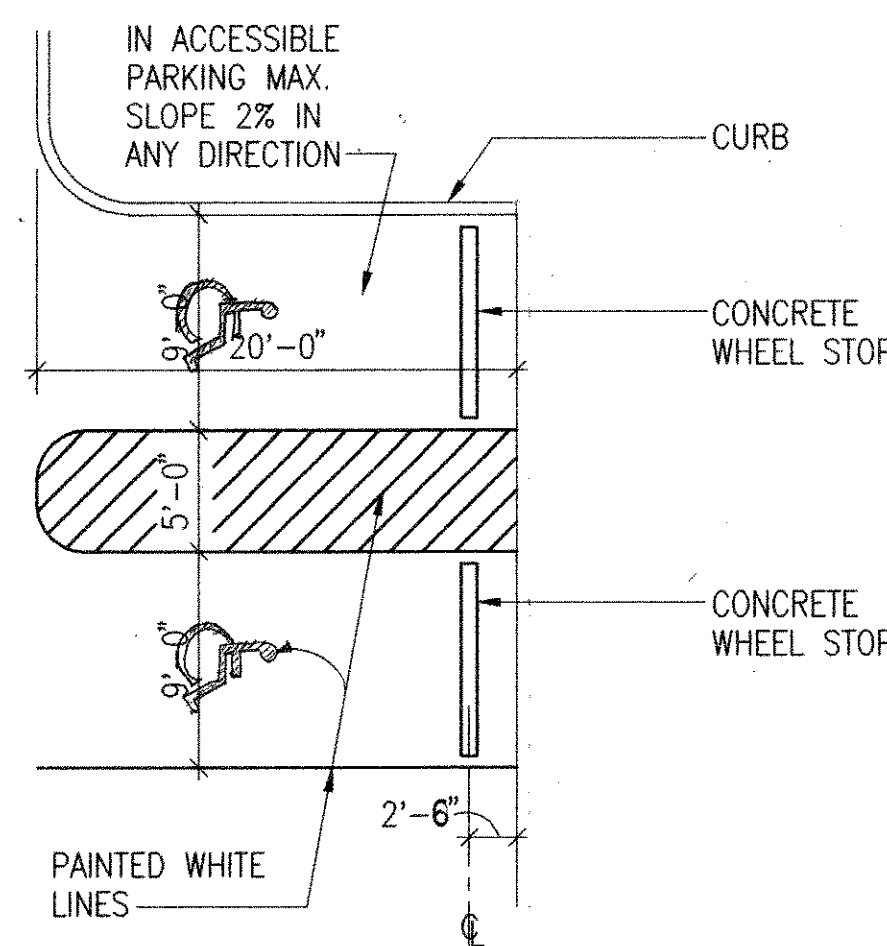
**9 CONCRETE CURB DETAIL**  
C4 SCALE: 1 1/2" = 1'-0"



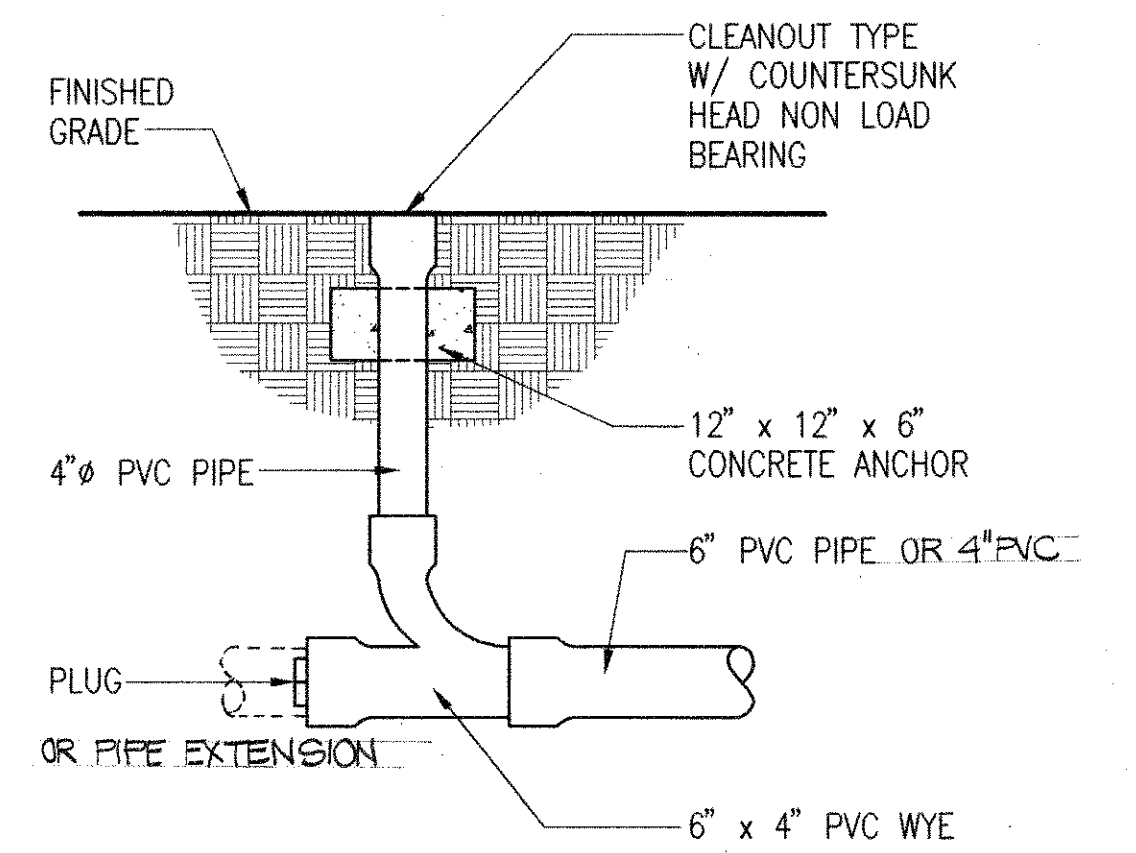
**4 STONE OUTLET STRUCTURE DETAIL**  
C4 SCALE: 1/4" = 1'-0"



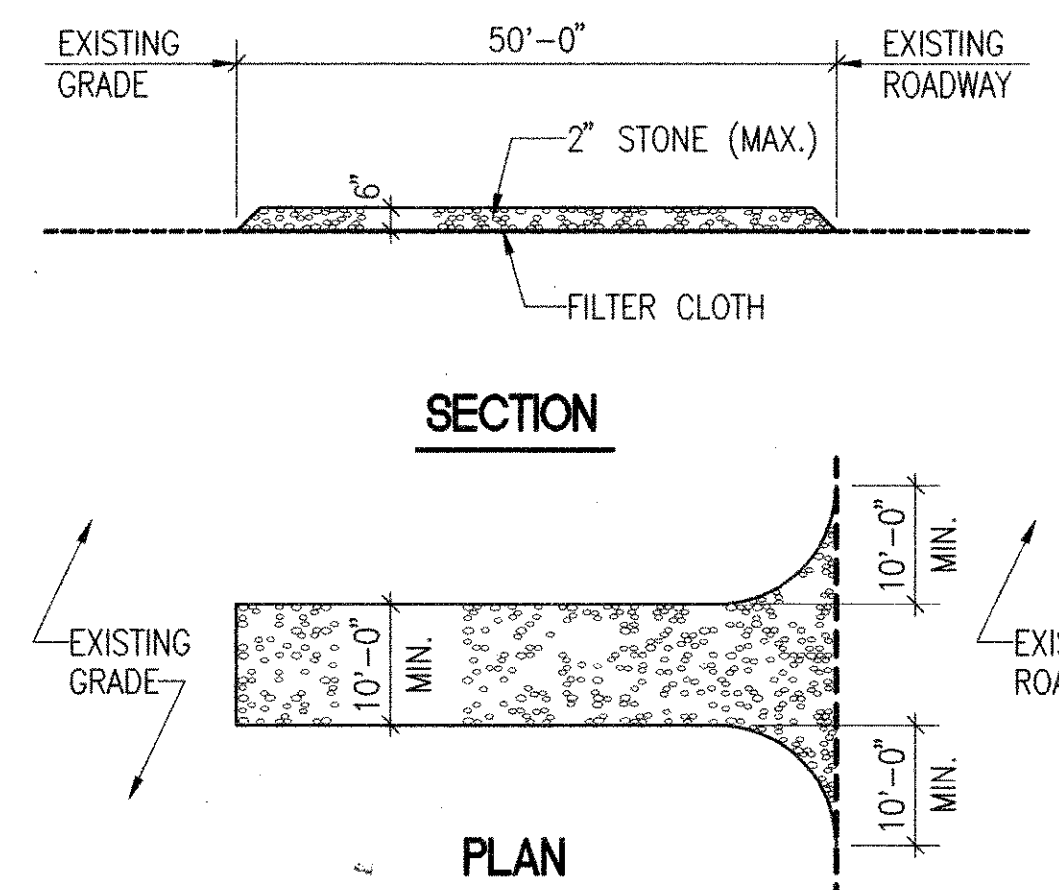
**5 BITUMINOUS PAVEMENT DETAIL**  
C4 SCALE: 3/4" = 1'-0"



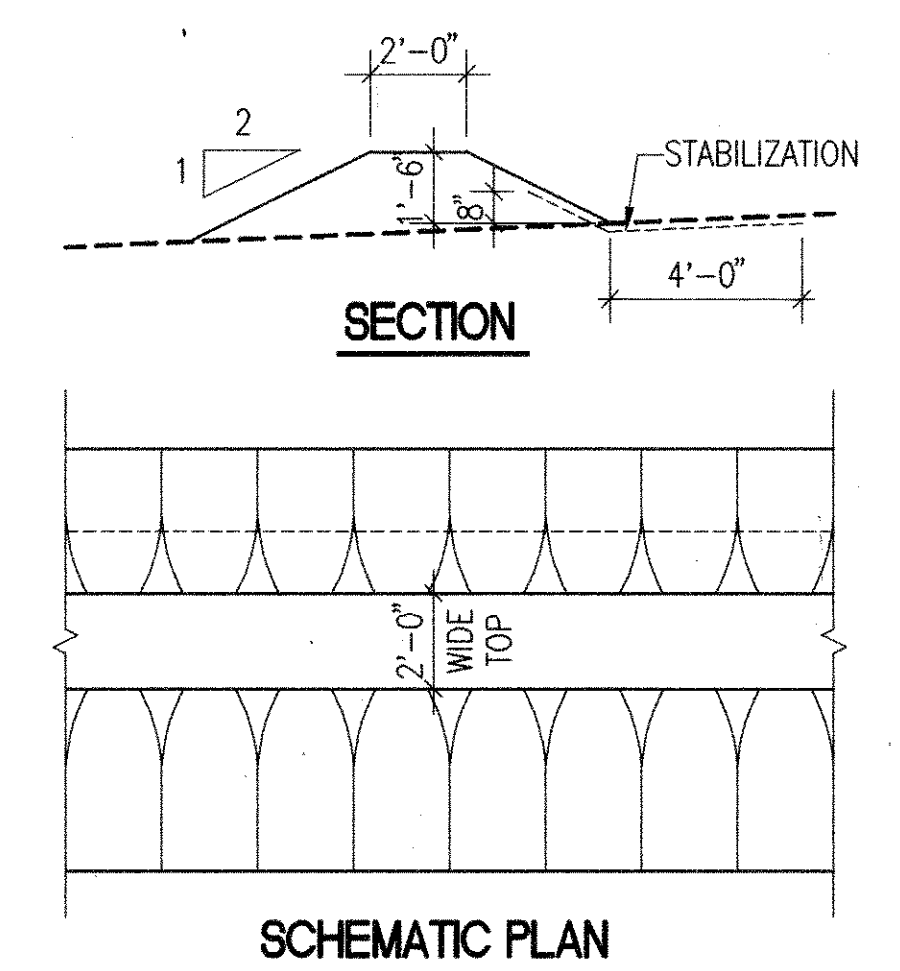
**6 ACCESSIBLE PARKING DETAIL**  
C4 SCALE: 1/8" = 1'-0"



**1 CLEANOUT DETAIL**  
C4 SCALE: 3/4" = 1'-0"

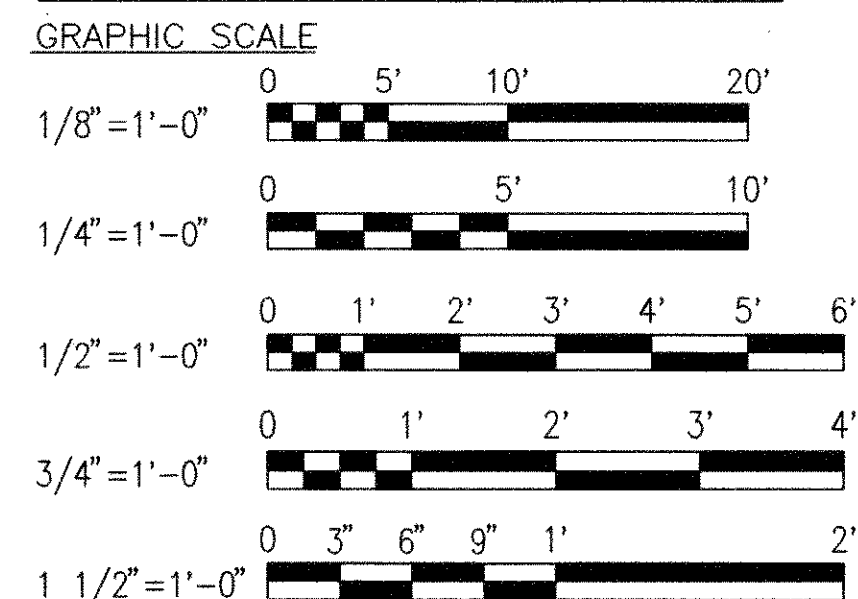


**2 STABILIZED CONSTRUCTION ENTRANCE**  
C4 NOT TO SCALE



**3 EARTH DIKE DETAIL**  
C4 SCALE: 1/4" = 1'-0"

CAUTION: IF THIS DRAWING IS A REDUCTION GRAPHIC SCALE MUST BE USED.



**MILLS CLAGETT & WENING CHARTERED**  
ARCHITECTS ENGINEERS PLANNERS  
5100 WISCONSIN AVE., N.W.  
SUITE 407  
WASHINGTON, D.C. 20016  
(202) 686-2500  
MCW PROJECT NO. 01495.00

**CARSON K.C. MOK**  
CONSULTING ENGINEER, P.A.  
9001 OTTAWA PLACE  
SILVER SPRING, MD 20910  
(301) 587-3448 / (301) 588-0008

**R. PETROSSIAN ASSOCIATES, LTD.**  
ENGINEERS CONSULTANTS PLANNERS  
1340 OLD CHAIN BRIDGE ROAD  
MCLEAN, VIRGINIA 22101  
(703) 556-0388

Drawing Title	Project Title	
MISCELLANEOUS DETAILS	SYSTEMS INTEGRATION CENTER	
Approved: Area Director	Building Number	Checked
Approved: Cemetery Director	Drawn	Drawn No.
	Location	Department of Veterans Affairs National Cemetery System Quantico National Cemetery, Triangle, Virginia

Date	OCT. 10, 1995 <del>AUGUST 21, 1995</del>
Project No.	872-CM3-014
Drawn	AES/AMC
Drawn No.	C4
Sheet	5 of 28

**NATIONAL CEMETERY SYSTEM**

