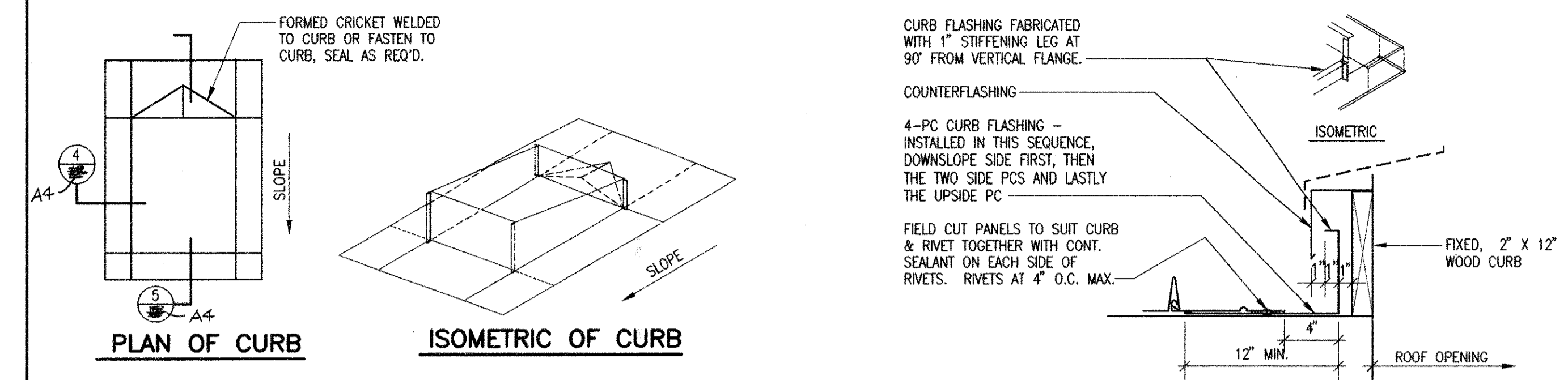
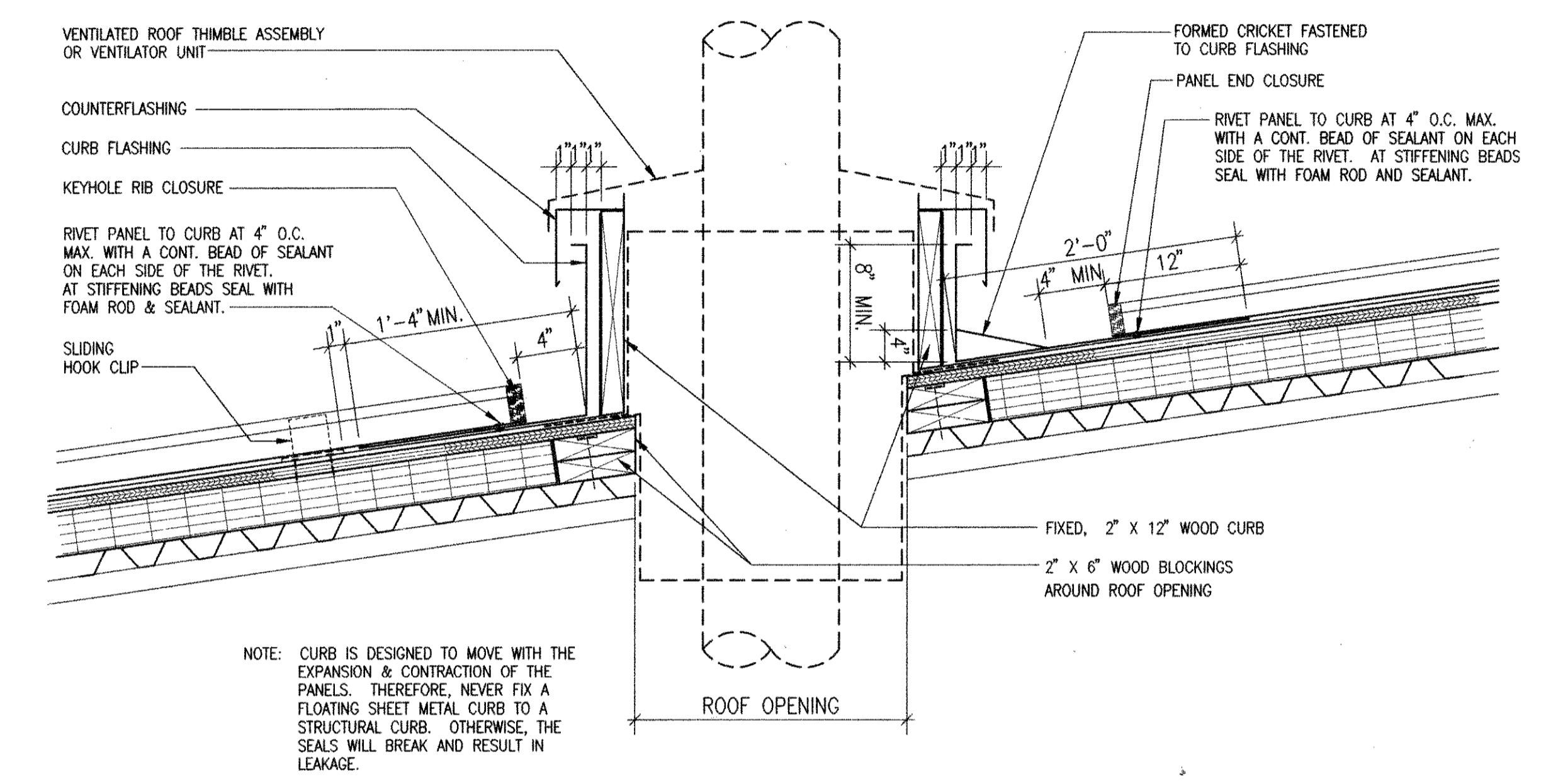


1 CROSS SECTION
A4 SCALE: 1/4" = 1'-0"



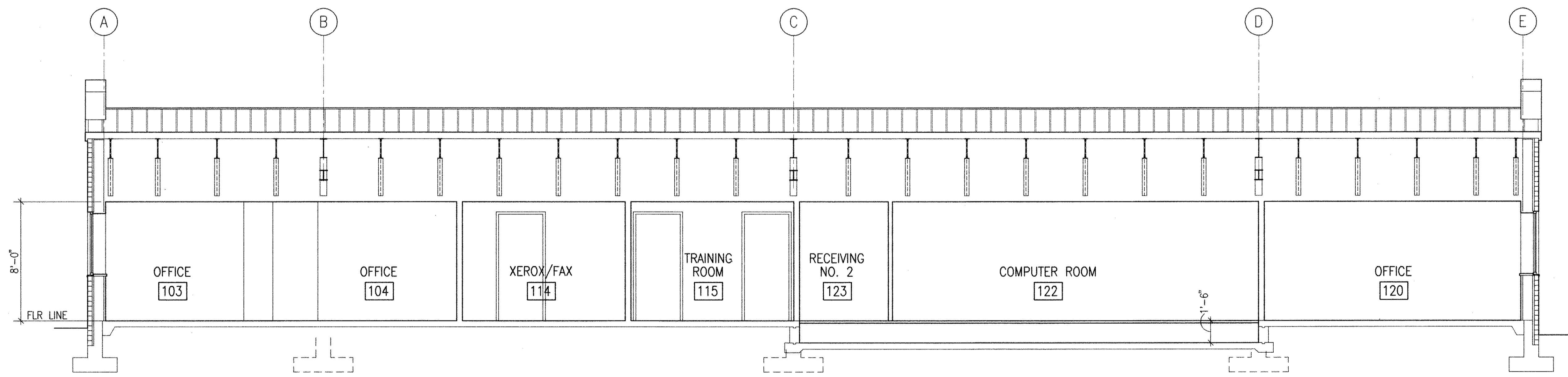
3 DETAIL: METAL CURB
A4 NOT TO SCALE

4 SECTION: CURB
A4 NOT TO SCALE



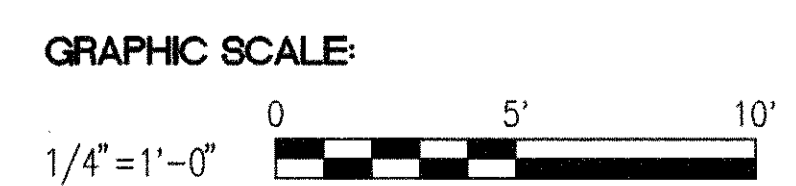
NOTE: CURB IS DESIGNED TO MOVE WITH THE EXPANSION & CONTRACTION OF THE PANELS. THEREFORE, NEVER FIX A FLOATING SHEET METAL CURB TO A STRUCTURAL CURB. OTHERWISE, THE SEALS WILL BREAK AND RESULT IN LEAKAGE.

5 SECTION: CURB
A4 NOT TO SCALE



2 LONGITUDINAL SECTION
A4 SCALE: 1/4" = 1'-0"

CAUTION: IF THIS DRAWING IS A REDUCTION GRAPHIC SCALE MUST BE USED.



MILLS CLAGETT & WENING CHARTERED
ARCHITECTS ENGINEERS PLANNERS
5100 WISCONSIN AVE., N.W.
SUITE 407
WASHINGTON, D.C. 20016
(202) 686-2500
MCW PROJECT NO. 01495.00

CARSON K.C. MOK
CONSULTING ENGINEER, P.A.
9001 OTTAWA PLACE
SILVER SPRING, MD 20910
(301) 587-3448 / (301) 588-0088

R. PETROSSIAN ASSOCIATES, LTD.
ENGINEERS CONSULTANTS PLANNERS
1340 OLD CHAIN BRIDGE ROAD
MCLEAN, VIRGINIA 22101
(703) 556-0388

Drawing Title: **BUILDING SECTIONS ROOF DETAILS**

Project Title: **SYSTEMS INTEGRATION CENTER**

Date: **OCT. 10, 1995**
~~AUGUST 21, 1995~~

Project No.: **872-CM3-014**

Building Number: _____ Checked: _____ Drawn: _____
AES/AMC

Location: **Department of Veterans Affairs**
National Cemetery System
Quantico National Cemetery, Triangle, Virginia

Approved: Area Director _____
Approved: Cemetery Director _____

Sheet **9** of **28**

NATIONAL CEMETERY SYSTEM

Department of Veterans Affairs