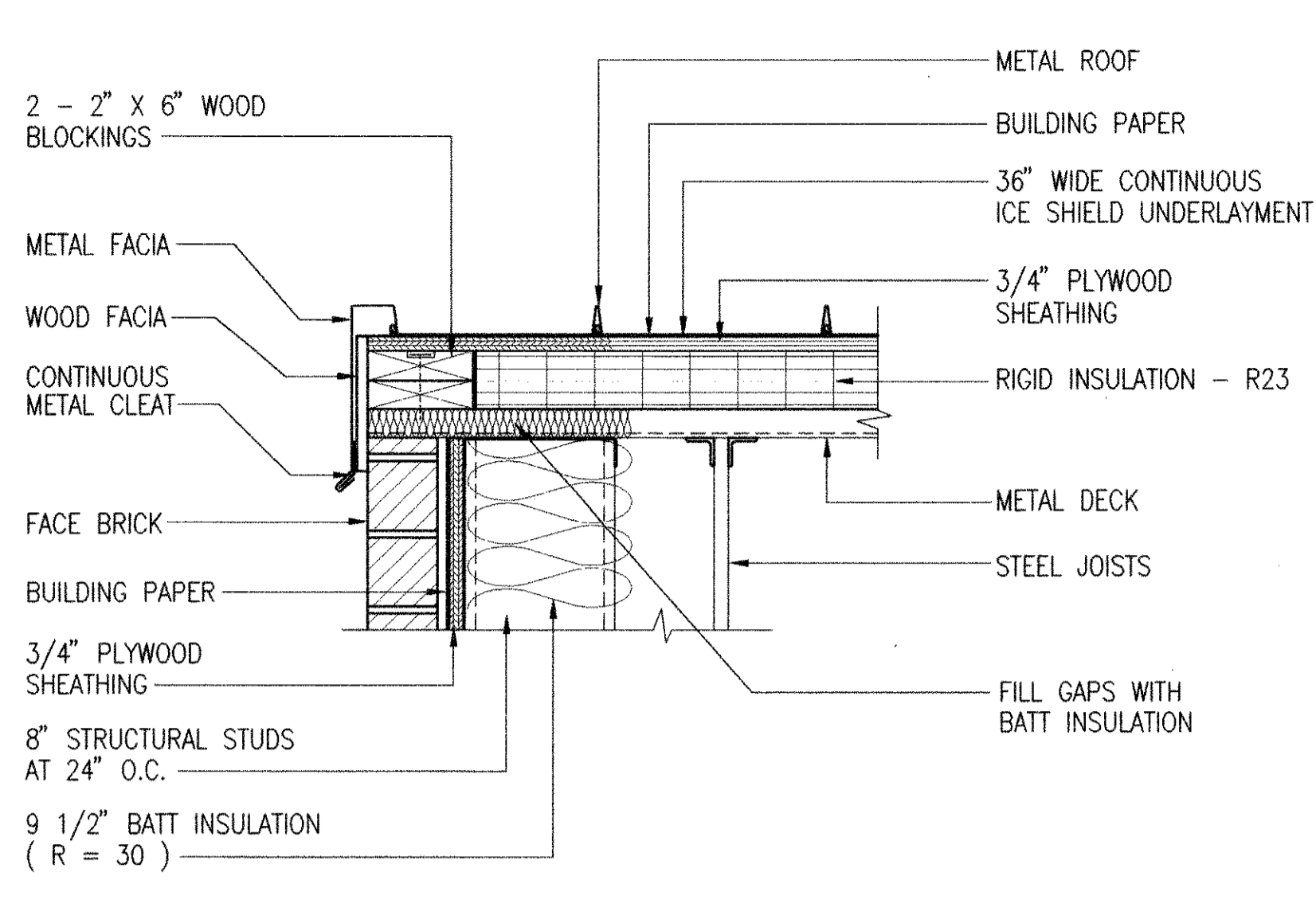
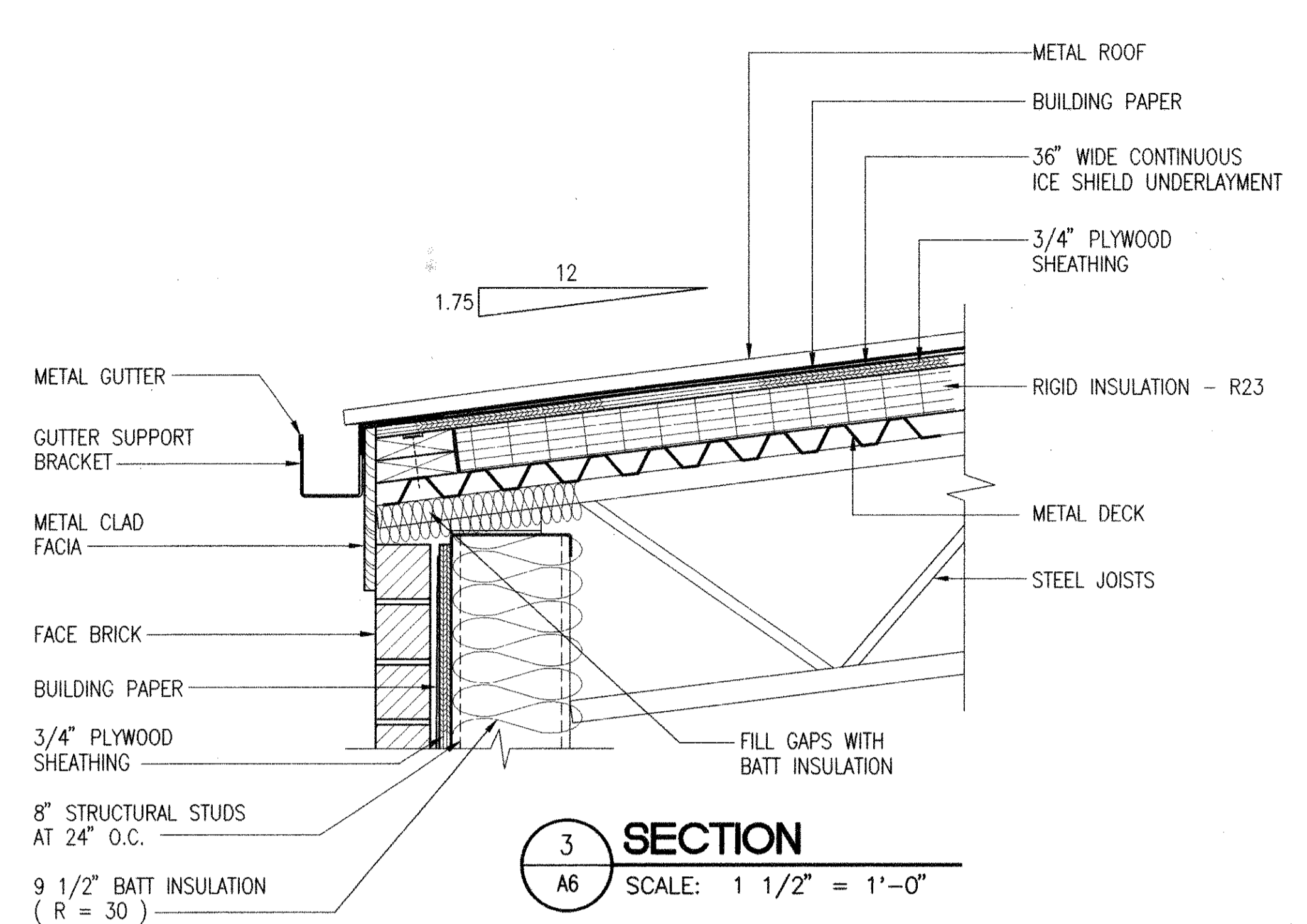


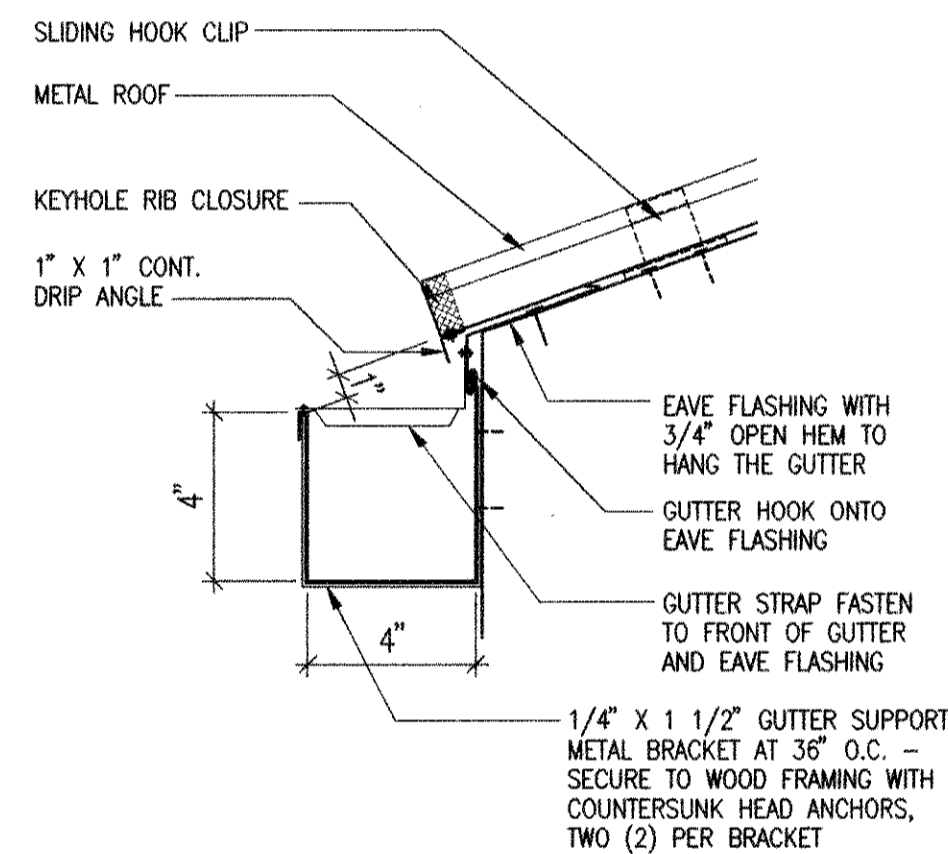
**1 SECTION**  
A6 SCALE: 1 1/2" = 1'-0"



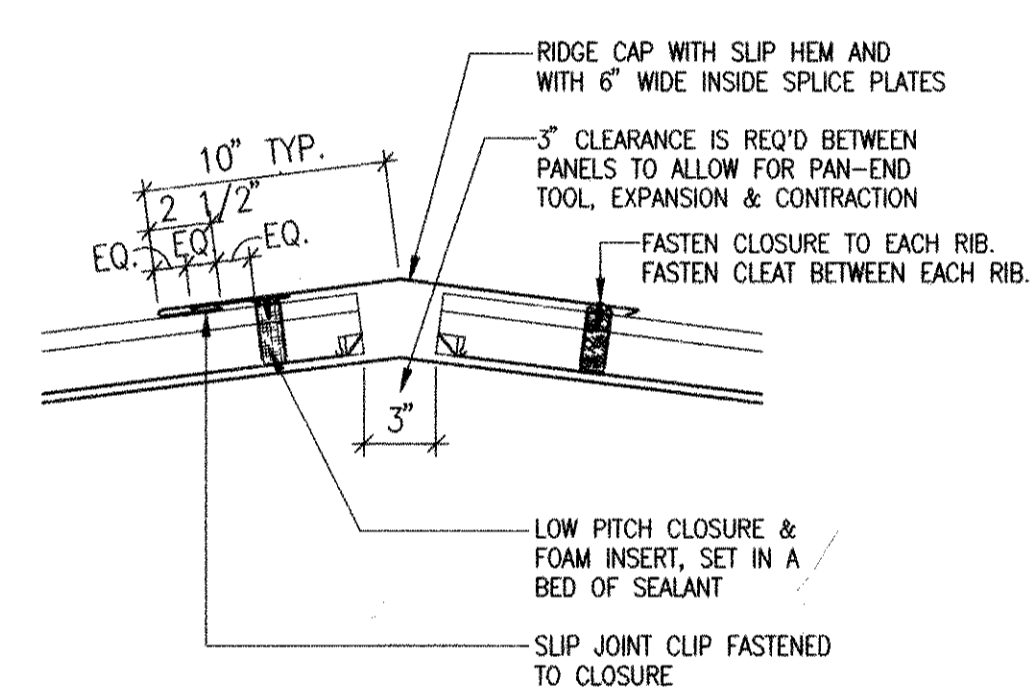
**2 SECTION**  
A6 SCALE: 1 1/2" = 1'-0"



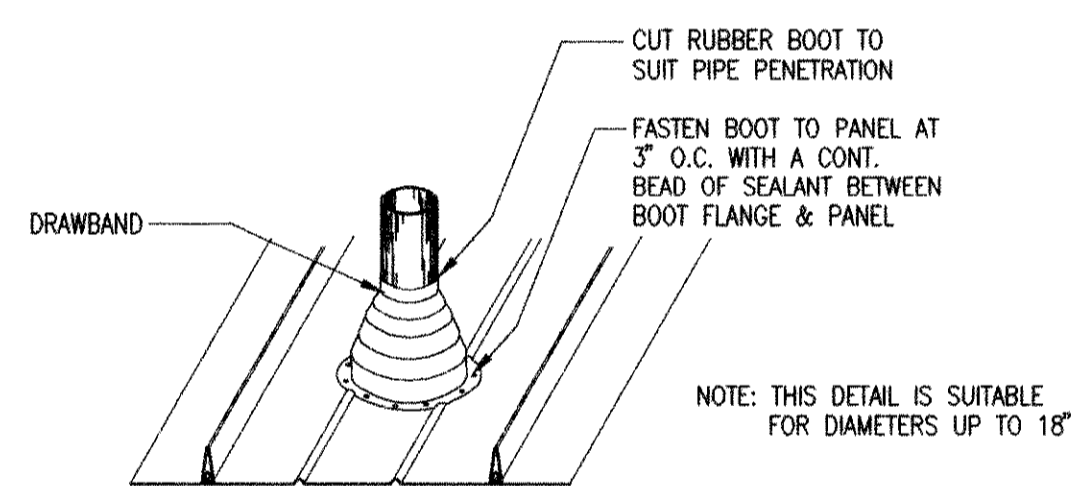
**3 SECTION**  
A6 SCALE: 1 1/2" = 1'-0"



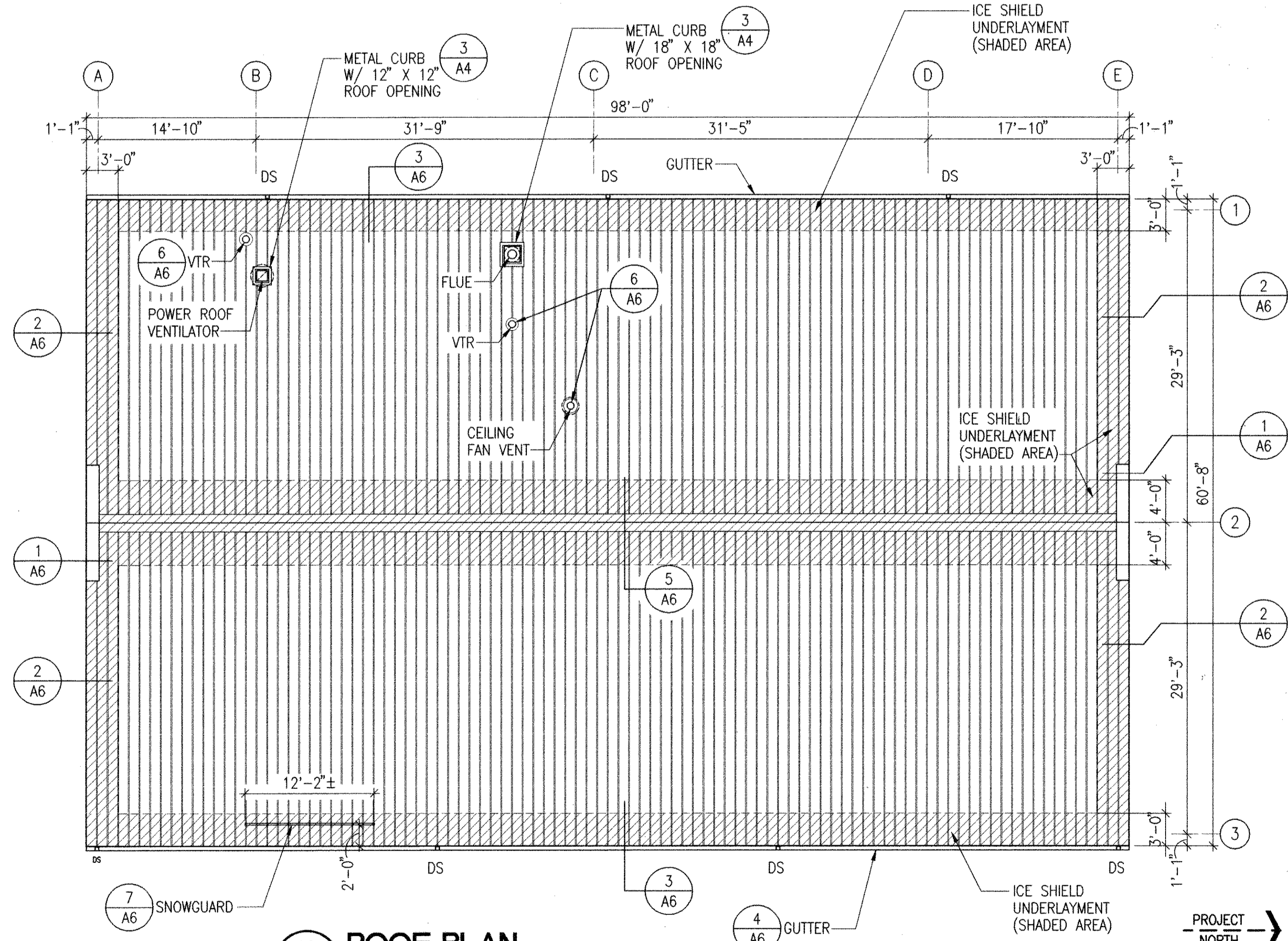
**4 DETAIL: TYPICAL GUTTER**  
A6 NOT TO SCALE



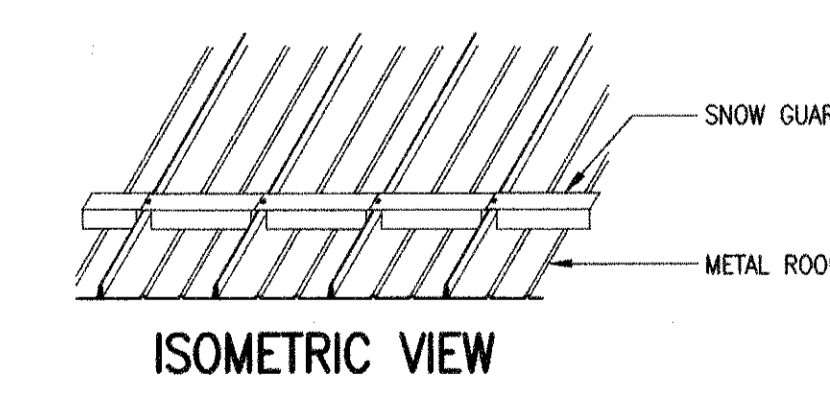
**5 DETAIL: RIDGE WITH SLIP JOINT**  
A6 NOT TO SCALE



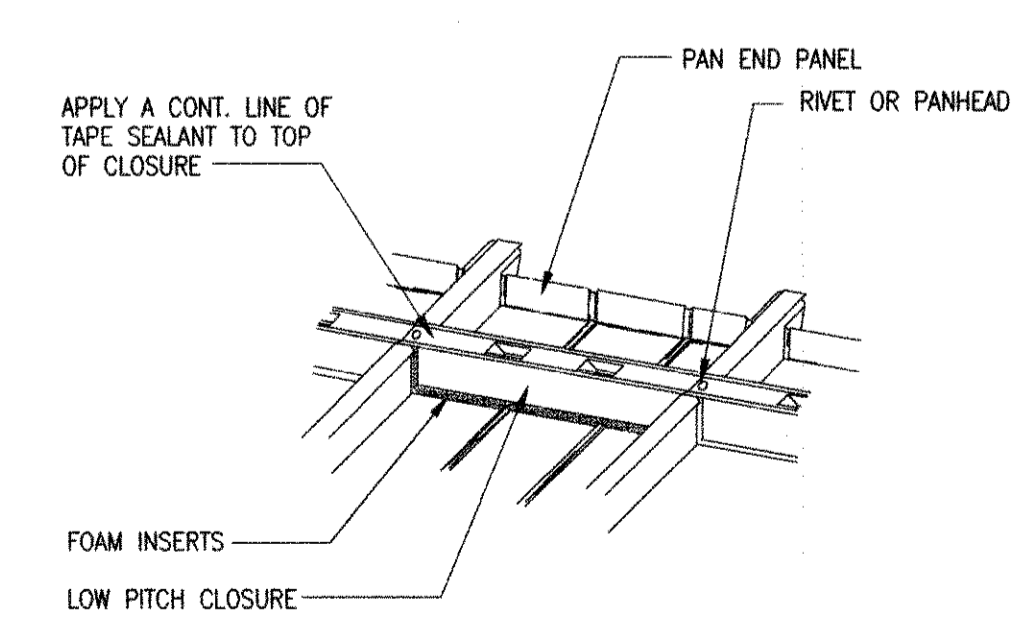
**6 DETAIL: TYPICAL PIPE PENETRATION**  
A6 NOT TO SCALE



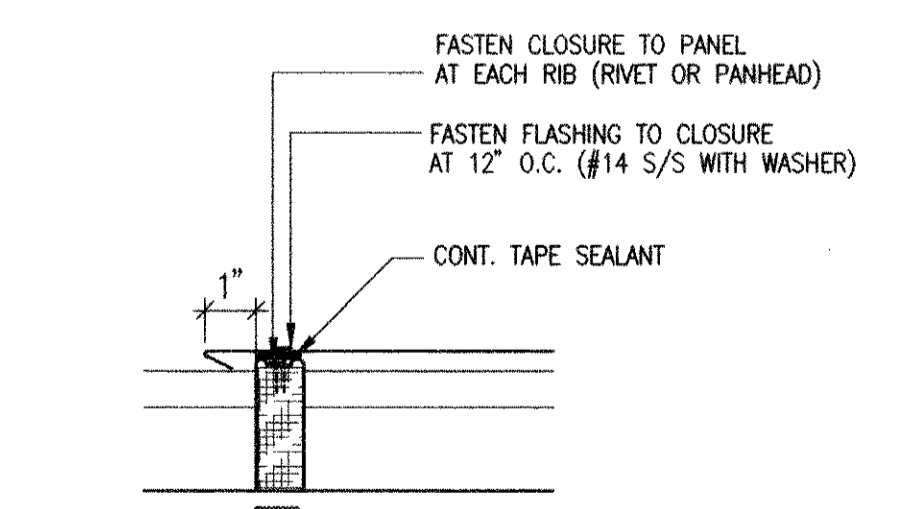
**10 ROOF PLAN**  
A6 SCALE: 1/8" = 1'-0"



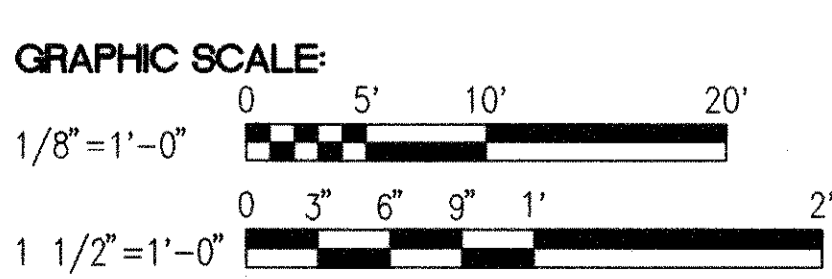
**7 DETAIL: SNOW GUARD**  
A6 NOT TO SCALE



**8 DETAIL: CLOSURE PAN END**  
A6 NOT TO SCALE



**9 DETAIL: TYPICAL CLOSURE**  
A6 NOT TO SCALE



CAUTION: IF THIS DRAWING IS A REDUCTION GRAPHIC SCALE MUST BE USED.

**MILLS CLAGETT & WENING CHARTERED**  
ARCHITECTS ENGINEERS PLANNERS  
5100 WISCONSIN AVE., N.W.  
SUITE 407  
WASHINGTON, D.C. 20016  
(202) 686-2500  
MCW PROJECT NO. 01495.00

**CARSON K.C. MOK**  
CONSULTING ENGINEER, P.A.  
9001 OTTAWA PLACE  
SILVER SPRING, MD. 20910  
(301) 587-3446 / (301) 586-0088

**R. PETROSSIAN ASSOCIATES, LTD.**  
ENGINEERS CONSULTANTS PLANNERS  
1340 OLD CHAIN BRIDGE ROAD  
MCLEAN, VIRGINIA 22101  
(703) 556-0388

Drawing Title: **ROOF PLAN, DETAILS**

Approved: Area Director

Approved: Cemetery Director

Project Title: **SYSTEMS INTEGRATION CENTER**

Building Number: \_\_\_\_\_

Checked: \_\_\_\_\_

Drawn: \_\_\_\_\_

AES/AMC

Location: **Department of Veterans Affairs**  
National Cemetery System  
Quantico National Cemetery, Triangle, Virginia

Date: **OCT. 10, 1995**  
~~AUGUST 21, 1995~~

Project No.: **872-CM3-014**

Drawing No.: **A6**

Sheet 11 of 28

**NATIONAL CEMETERY SYSTEM**

Department of Veterans Affairs