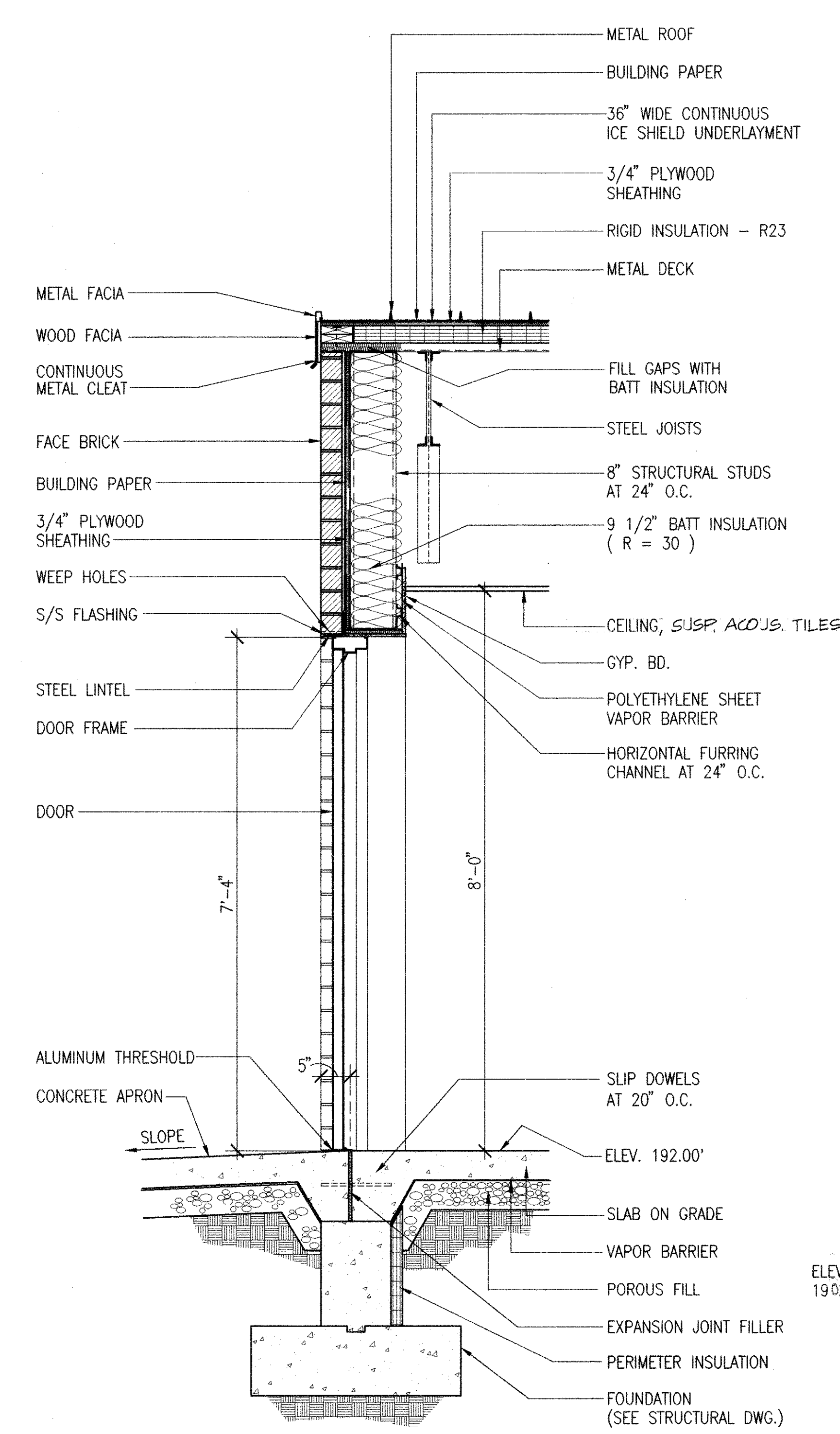
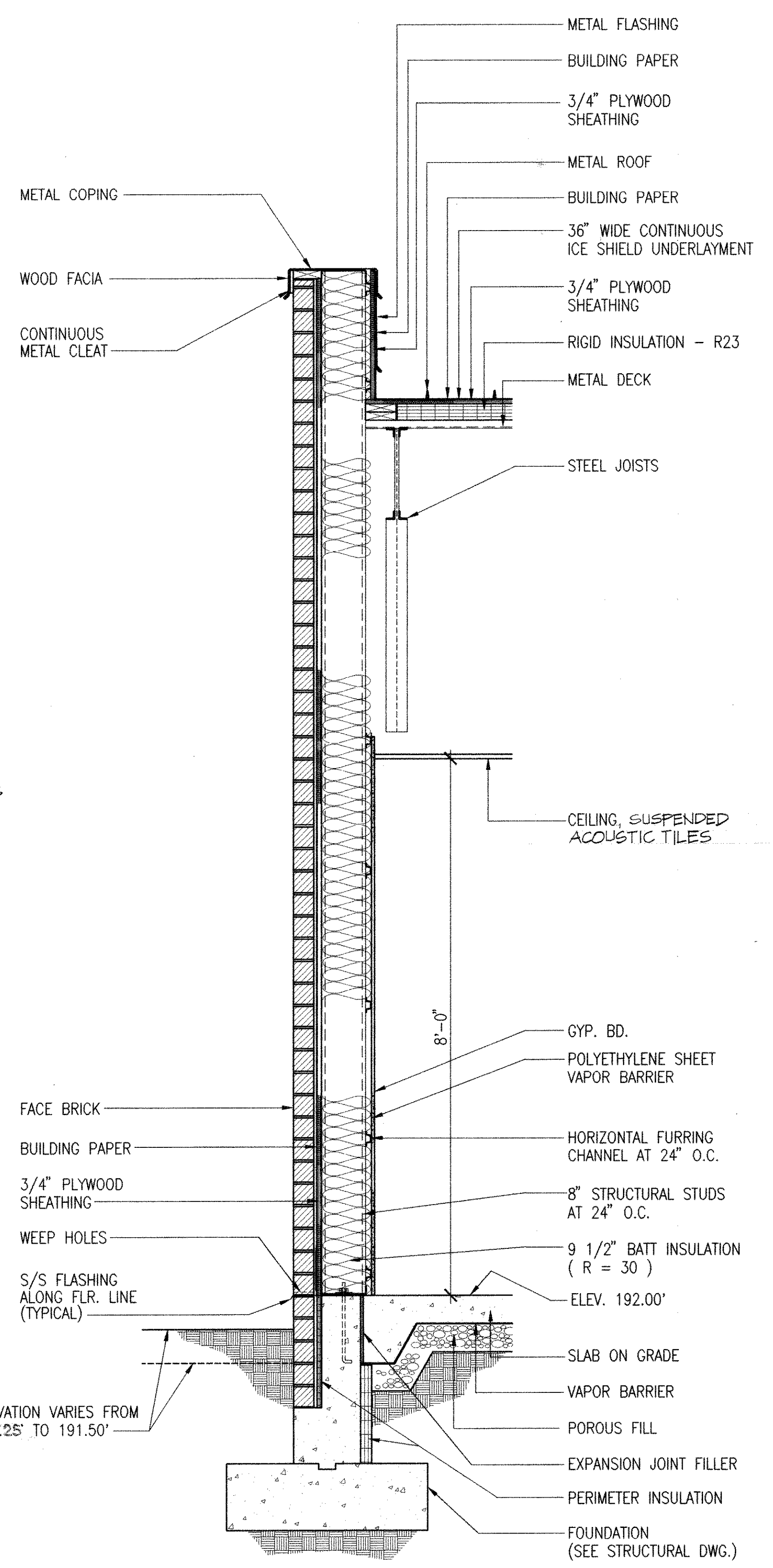


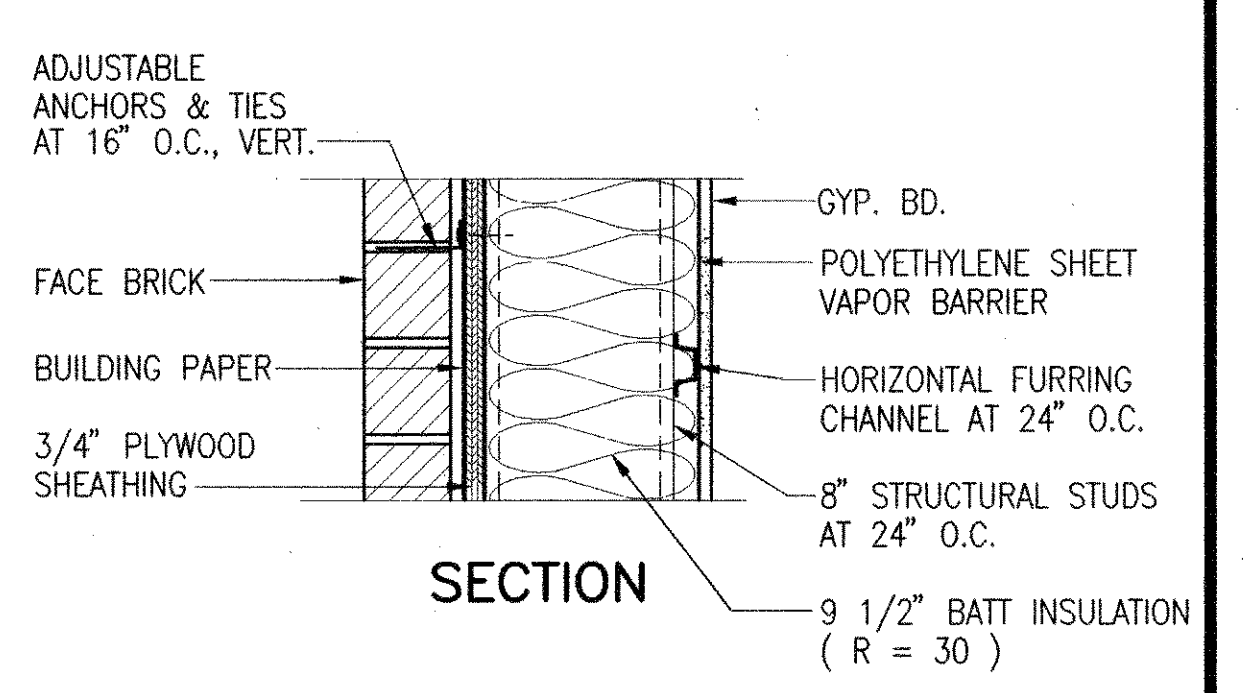
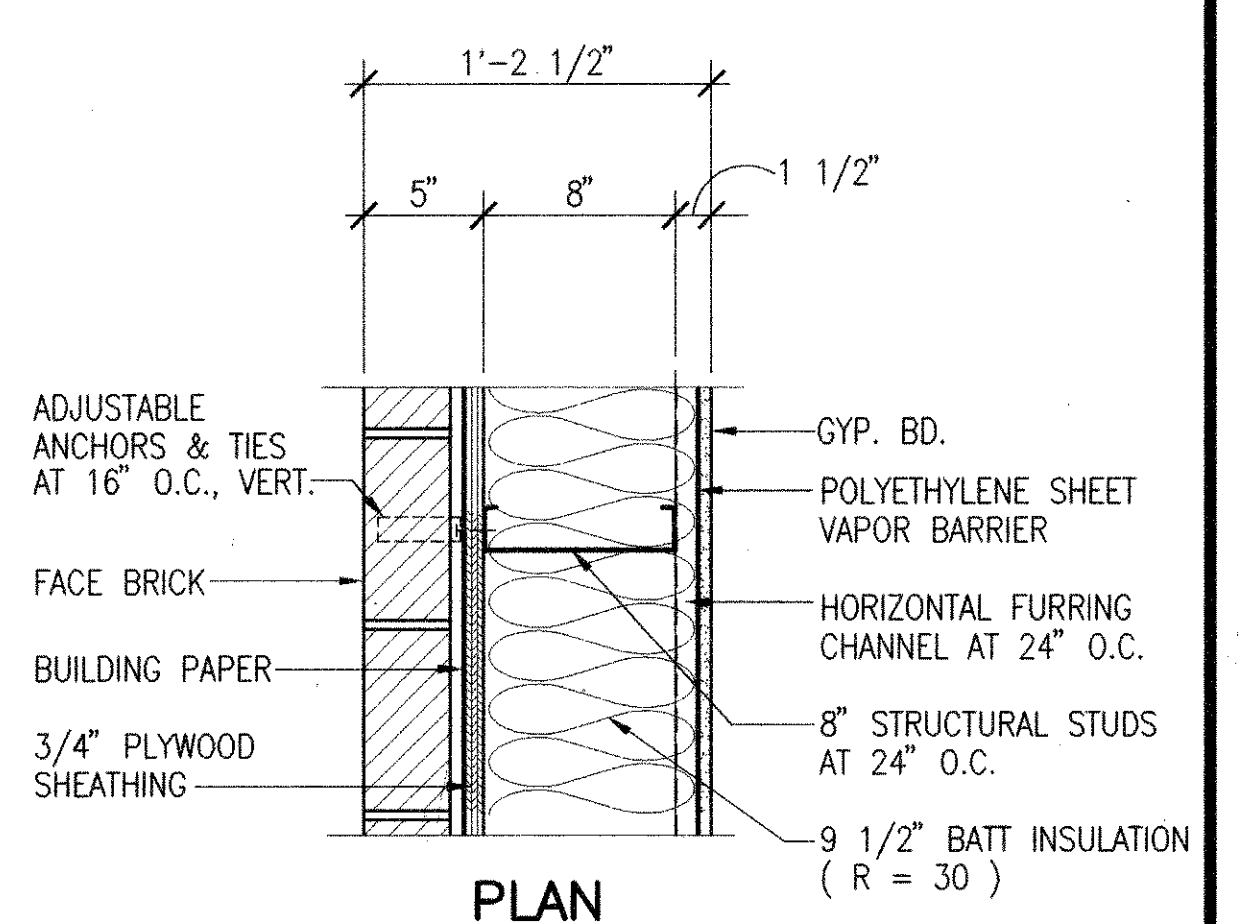
1 WALL SECTION
A7 SCALE: 3/4" = 1'-0"



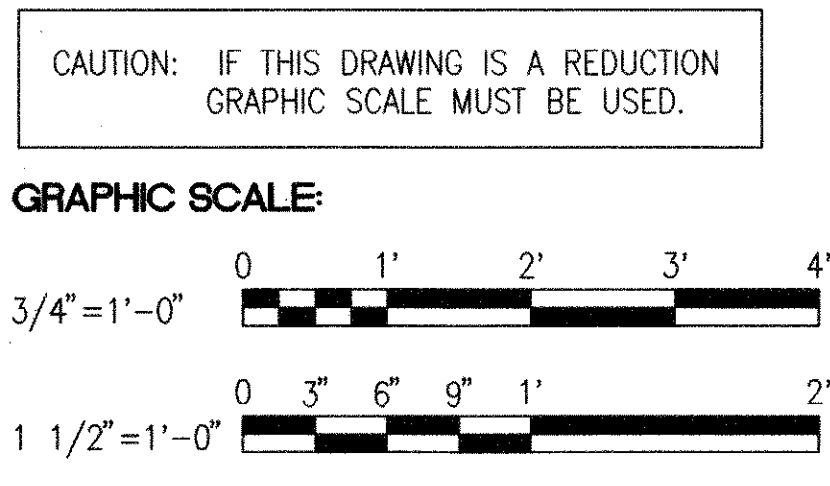
2 WALL SECTION
A7 SCALE: 3/4" = 1'-0"



3 WALL SECTION
A7 SCALE: 3/4" = 1'-0"



4 TYPICAL EXTERIOR WALL
A7 SCALE: 1 1/2" = 1'-0"



MILLS CLAGETT & WENING CHARTERED ARCHITECTS ENGINEERS PLANNERS 5100 WISCONSIN AVE., N.W. SUITE 407 WASHINGTON, D.C. 20016 (202) 686-2500 MCW PROJECT NO. 01495.00	CARSON K.C. MOK CONSULTING ENGINEER, P.A. 9001 OTTAWA PLACE SILVER SPRING, MD 20910 (301) 567-3448 / (301) 568-0088	Drawing Title <p style="text-align: center;">WALL SECTIONS</p>		Project Title <p style="text-align: center;">SYSTEMS INTEGRATION CENTER</p>	Date OCT. 10, 1995 AUGUST 21, 1995	NATIONAL CEMETERY SYSTEM Department of Veterans Affairs
		Approved: Area Director Approved: Cemetery Director	Building Number Checked Drawn AES/AMC	Location Department of Veterans Affairs National Cemetery System Quantico National Cemetery, Triangle, Virginia	Project No. 872-CM3-014	