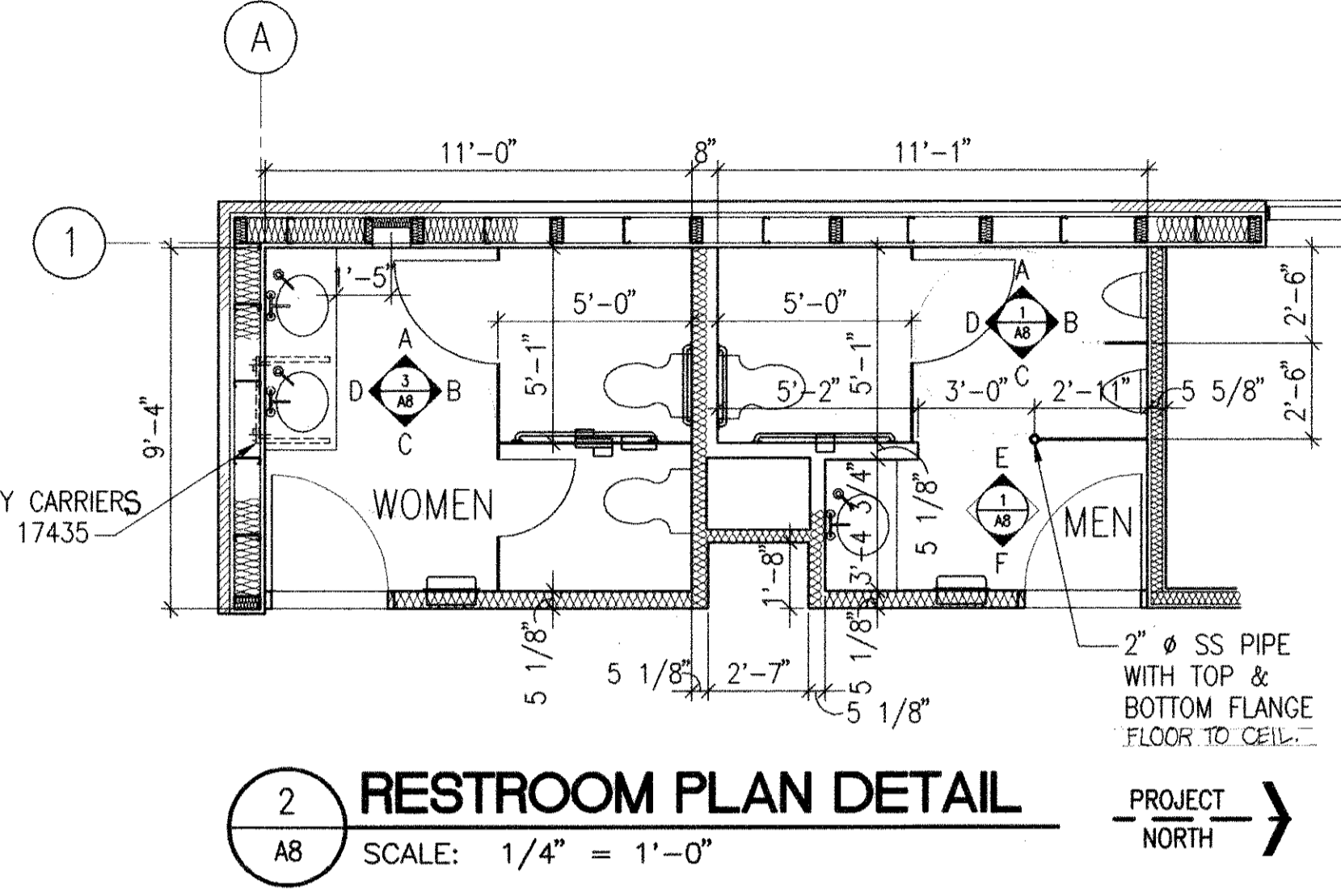
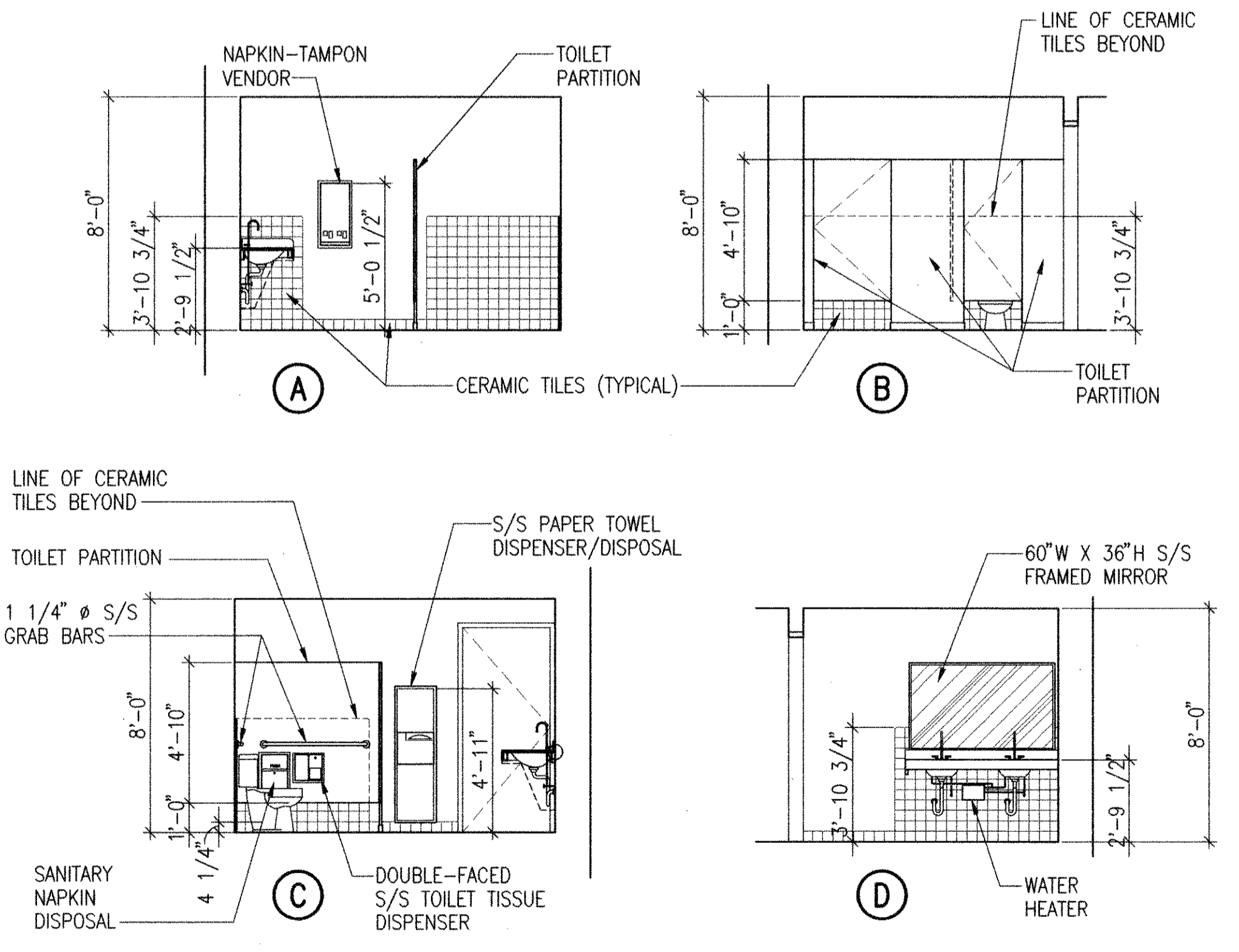


1 MEN'S RESTROOM ELEVATIONS
A8 SCALE: 1/4" = 1'-0"

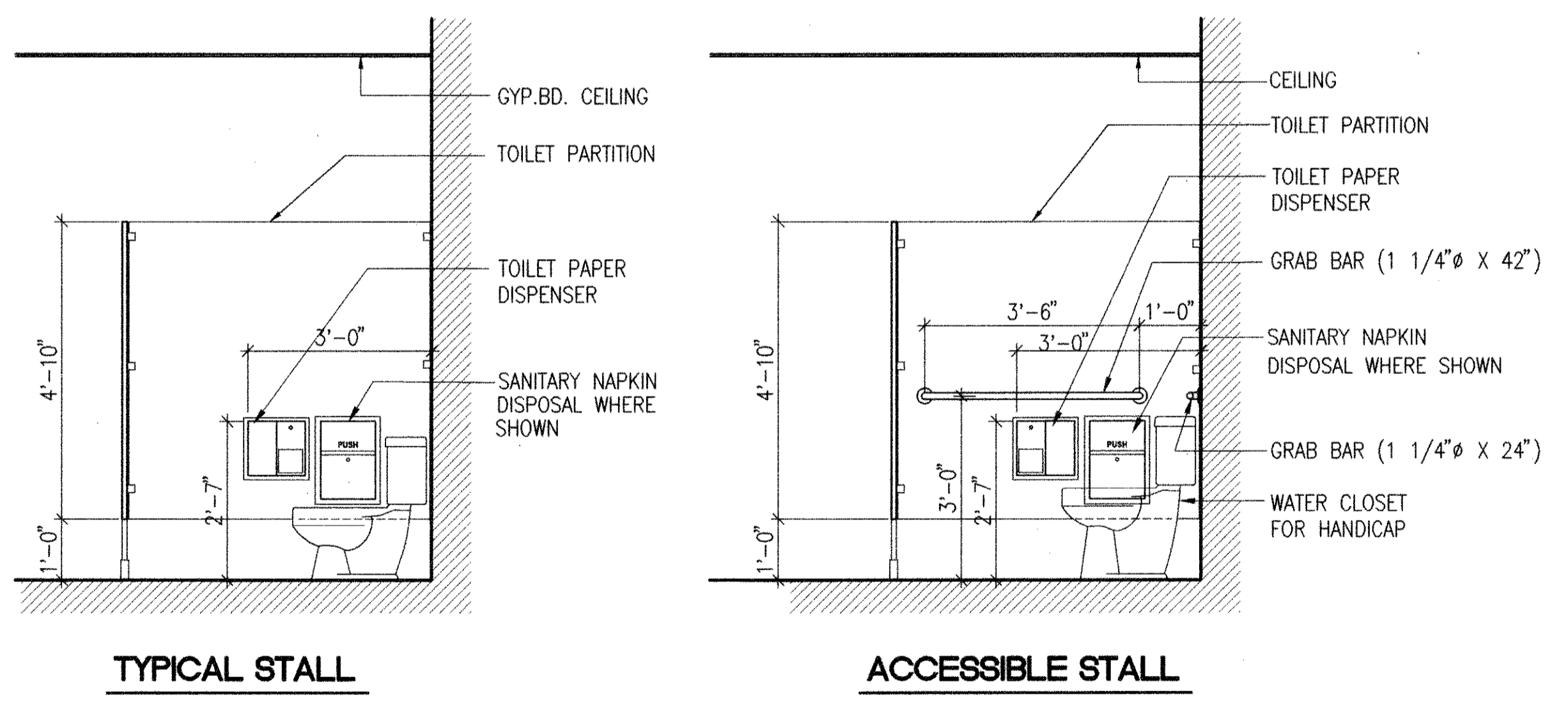


2 RESTROOM PLAN DETAIL
A8 SCALE: 1/4" = 1'-0"

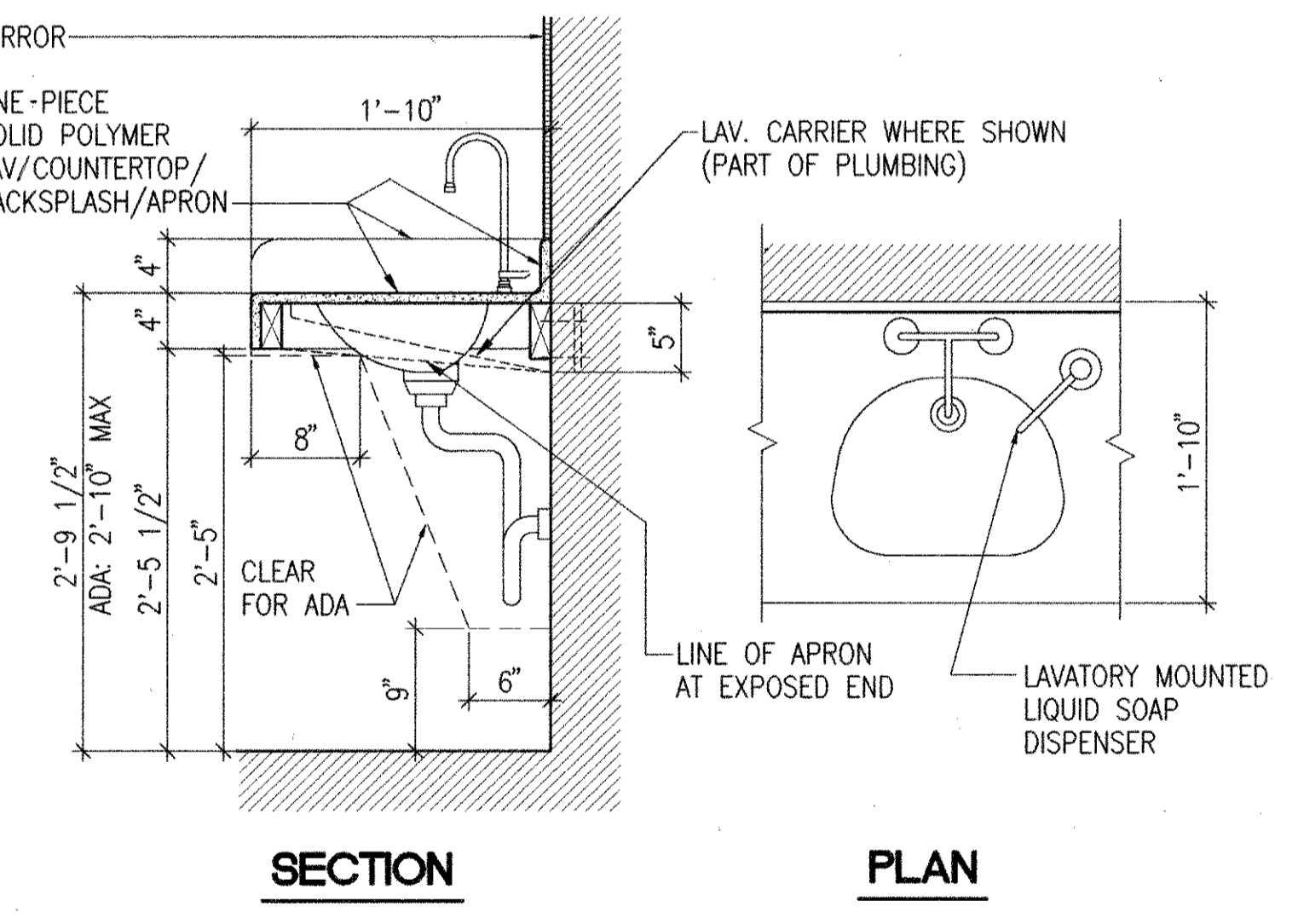
TOILET ACCESSORY SCHEDULE		
ACCESSORY	TYPE (BOBRICK OR EQUAL)	REMARKS
MIRROR WITH STAINLESS STEEL ANGLE FRAME	B-290 SERIES	ONE FOR EACH RESTROOM
RECESSED COMBINATION FEMININE NAPKIN-TAMPON VENDOR	B-352	ONE FOR WOMEN'S RESTROOM
PARTITION MOUNTED NAPKIN DISPOSAL FOR TWO TOILET STALLS	B-354	ONE FOR WOMEN'S TOILET STALLS
PARTITION MOUNTED MULTI-ROLL TOILET TISSUE DISPENSER FOR TWO TOILET STALLS	B-386	ONE FOR WOMEN'S TOILET STALLS
RECESSED MULTI-ROLL TOILET TISSUE DISPENSER	B-388	ONE FOR MEN'S TOILET STALL
RECESSED COMBINATION PAPER TOWEL DISPENSER AND WASTE RECEPTACLE	B-3944	ONE FOR EACH RESTROOM
1 1/4" DIAMETER STAINLESS STEEL GRAB BARS WITH SNAP FLANGE COVER	B-5806 X 42" AND B-5806 X 24"	1 SET PER HANDICAP TOILET STALL
LAVATORY MOUNTED SOAP DISPENSER FOR SOAPS, LOTIONS AND DETERGENTS	B-822	ONE FOR EACH LAVATORY



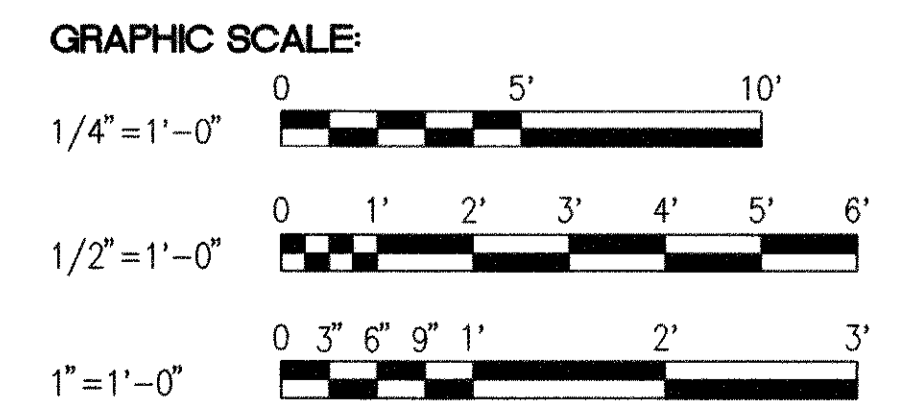
3 WOMEN'S RESTROOM ELEVATIONS
A8 SCALE: 1/4" = 1'-0"



4 DETAIL: TOILET STALLS
A8 SCALE: 1/2" = 1'-0"



5 TYPICAL DETAIL: LAVATORY
A8 SCALE: 1" = 1'-0"



CAUTION: IF THIS DRAWING IS A REDUCTION GRAPHIC SCALE MUST BE USED.

MILLS CLAGETT & WENING CHARTERED ARCHITECTS ENGINEERS PLANNERS
5100 WISCONSIN AVE., N.W. SUITE 407 WASHINGTON, D.C. 20016 (202) 688-2500
MCW PROJECT NO. 01495.00

CARSON K.C. MOK CONSULTING ENGINEER, P.A.
9001 OTTAWA PLACE SILVER SPRING, MD 20910 (301) 587-3448 / (301) 588-0088
R. PETROSSIAN ASSOCIATES, LTD. ENGINEERS CONSULTANTS PLANNERS
1340 OLD CHAIN BRIDGE ROAD MCLEAN, VIRGINIA 22101 (703) 556-0388

Drawing Title
RESTROOM DETAILS
Approved: Area Director
Approved: Cemetery Director

Project Title
SYSTEMS INTEGRATION CENTER
Building Number
Checked
Drawn
AES/AMC
Location
**Department of Veterans Affairs
National Cemetery System
Quantico National Cemetery, Triangle, Virginia**

Date
OCT. 10, 1995
~~AUGUST 21, 1995~~
Project No.
872-CM3-014
Drawing No.
A8
Sheet 13 of 28

NATIONAL CEMETERY SYSTEM
Department of Veterans Affairs