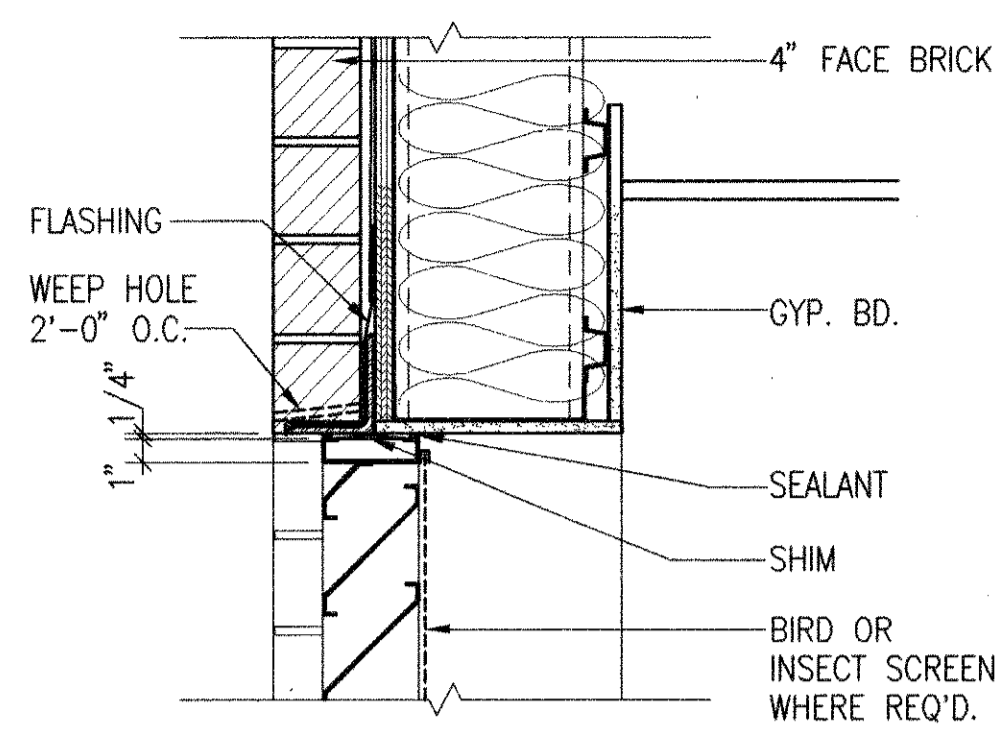


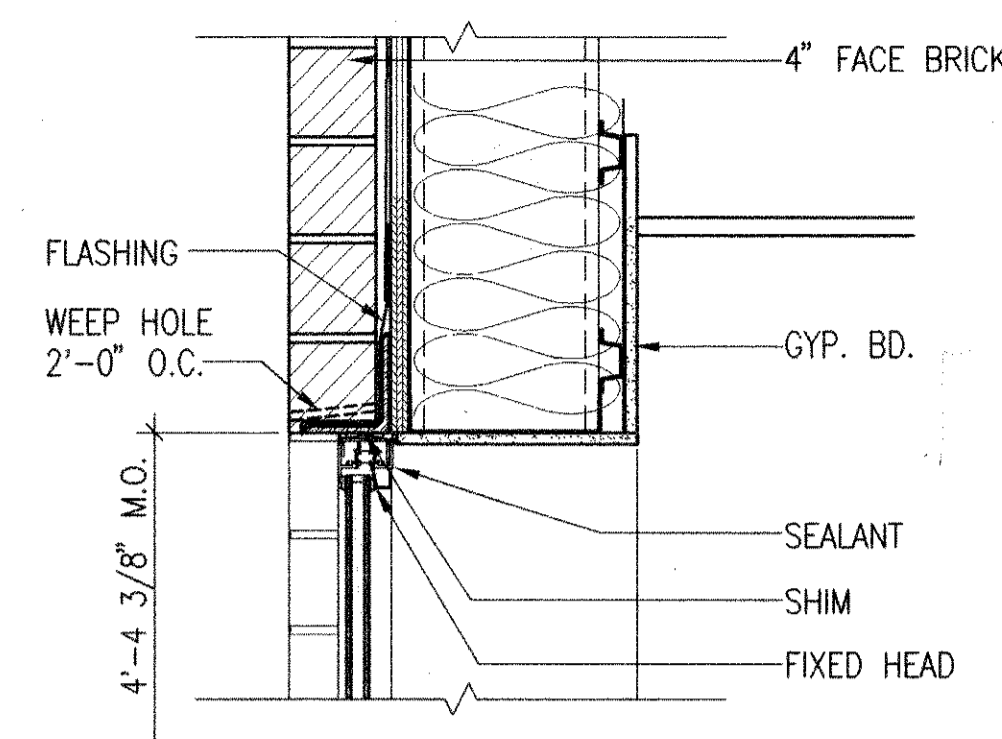
DOOR SCHEDULE:

| MARK | DOOR SIZE * | DOOR | | FRAME | | HARDWARE | REMARKS |
|------|-------------|-------|----------|----------|----------|----------|--------------|
| | | ELEV. | MATERIAL | ELEV. | MATERIAL | | |
| 101 | 36"/36" | AL1 | ALUM | ALUM | ALUM | AL1 | |
| 101A | 36"/36" | AL1 | ALUM | ALUM | ALUM | AL2 | |
| 102 | 36" | F | STL | STL | 34 | HW 23 | |
| 106 | 36" | F | STL | STL | 45 | HW 43 | |
| 107 | 36"/36" | F | GALV STL | GALV STL | HW 80 | | |
| 107A | 36"/36" | F | STL | STL | 45 | HW 36 | |
| 108 | 36" | F | GALV STL | GALV STL | HW 24 | | |
| 109 | 36" | F | STL | STL | 51 | HW 14 | UNDERCUT |
| 110 | 36" | F | STL | STL | 51 | HW 14 | UNDERCUT |
| 111 | 36" | F | STL | STL | 45 | HW 43 | ULB |
| 112 | 36" | F | STL | STL | 45 | HW 43 | ULB |
| 113 | 36" | F | STL | STL | 45 | HW 14 | |
| 113A | 36" | F | STL | STL | 45 | HW 14 | |
| 113B | 37"/37" | F | WD | WD | 45 | HW P1 | SLIDING DOOR |
| 115 | 36" | F | STL | STL | 45 | HW 23 | |
| 115A | 36" | F | STL | STL | 45 | HW 23 | |
| 115B | 36" | F | STL | STL | 45 | HW 7 | |
| 118 | 36" | F | STL | STL | 45 | HW 43 | UNDERCUT |
| 121 | 36" | F | STL | STL | 34 | HW 23 | |
| 122 | 36"/36" | F | STL | STL | 45 | HW 26 | |

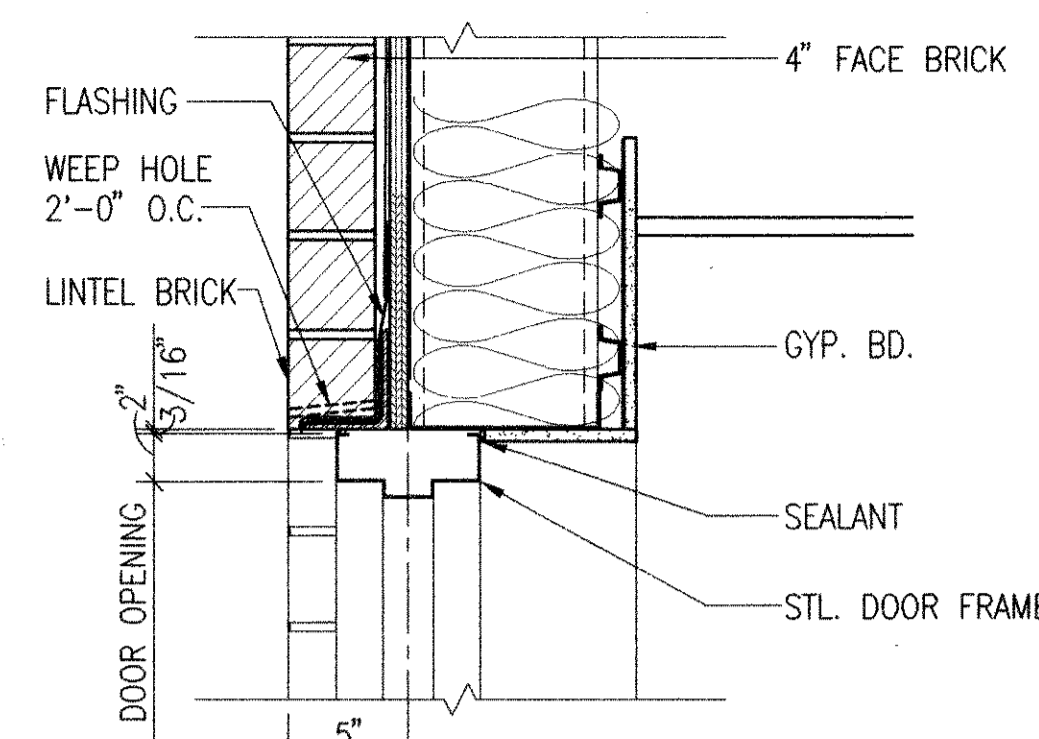
* DOORS SHALL BE 1 3/4" THICK X 7'-2" HIGH UNLESS OTHERWISE NOTED. (7'-0" MAY BE USED FOR INTERIOR DOORS).



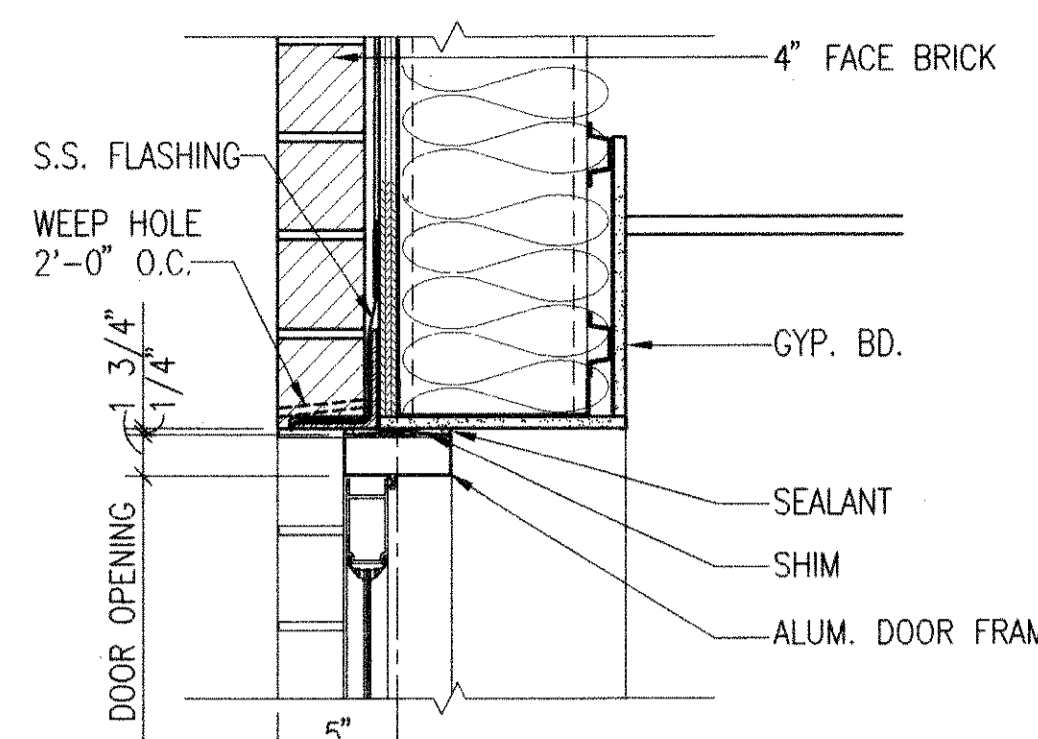
HEAD



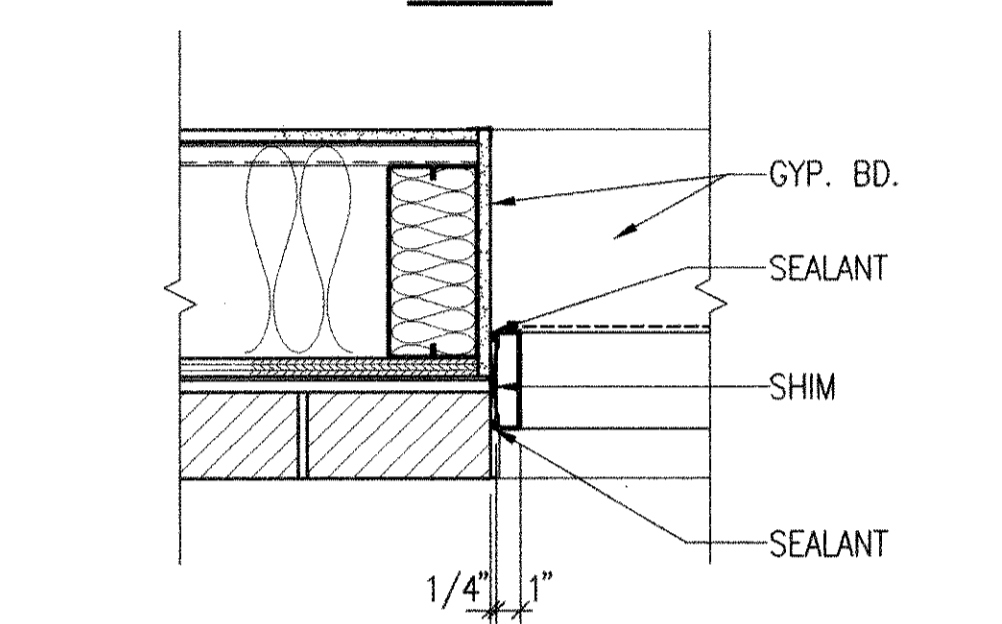
HEAD



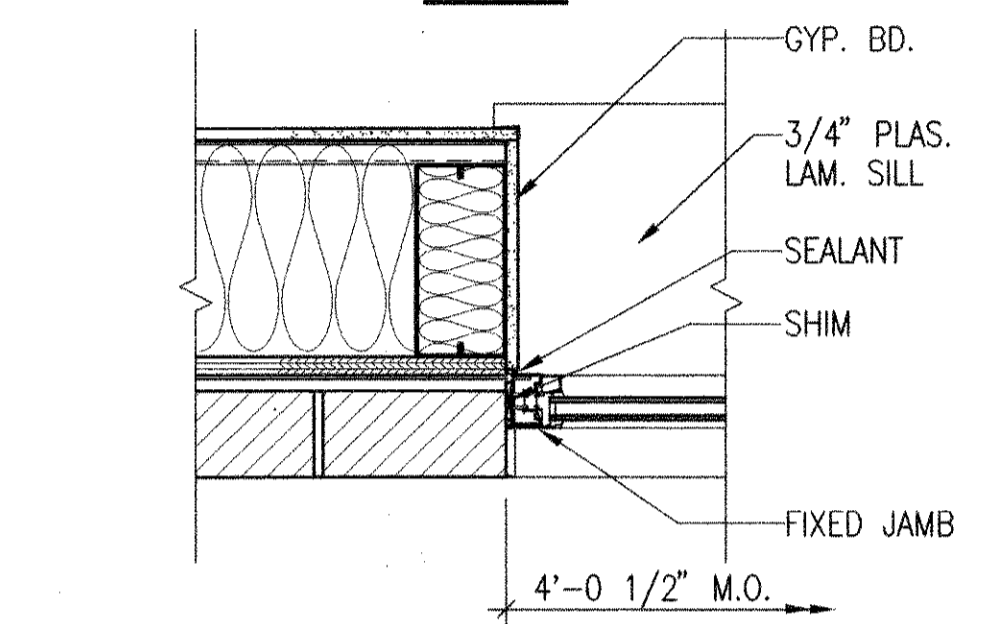
HEAD



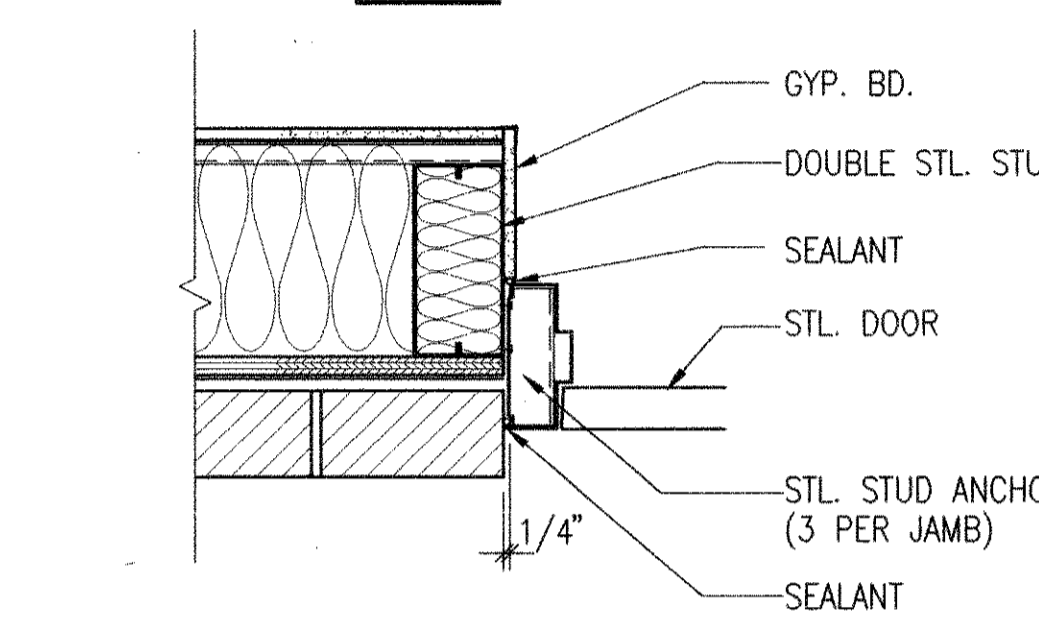
HEAD



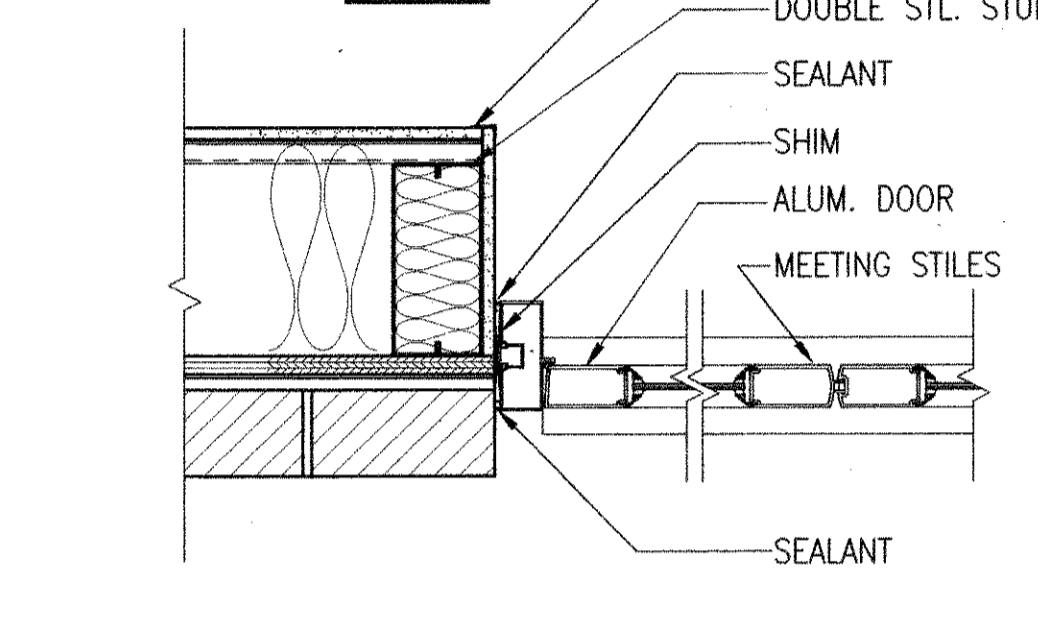
JAMB



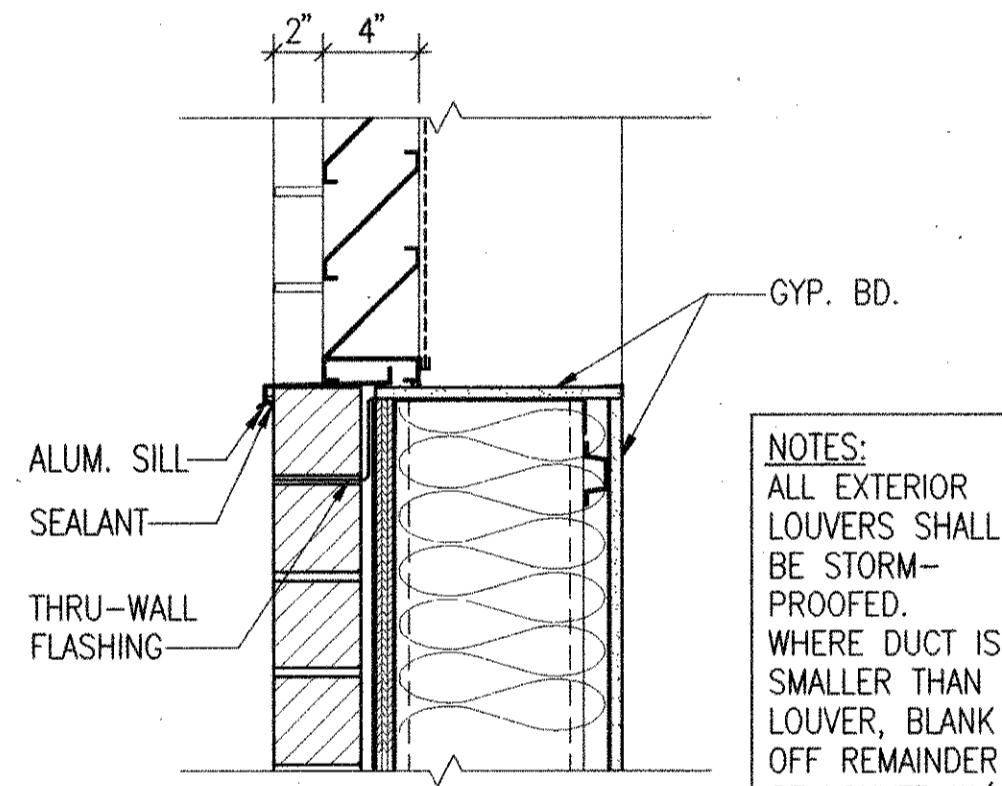
JAMB



JAMB

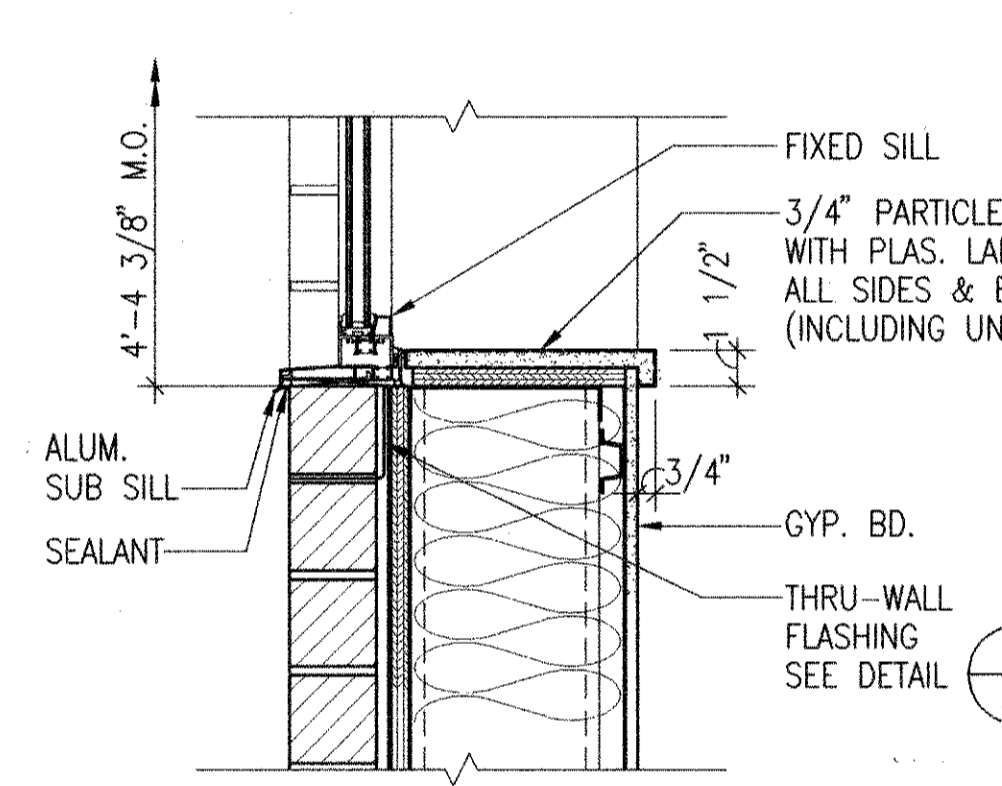


JAMB

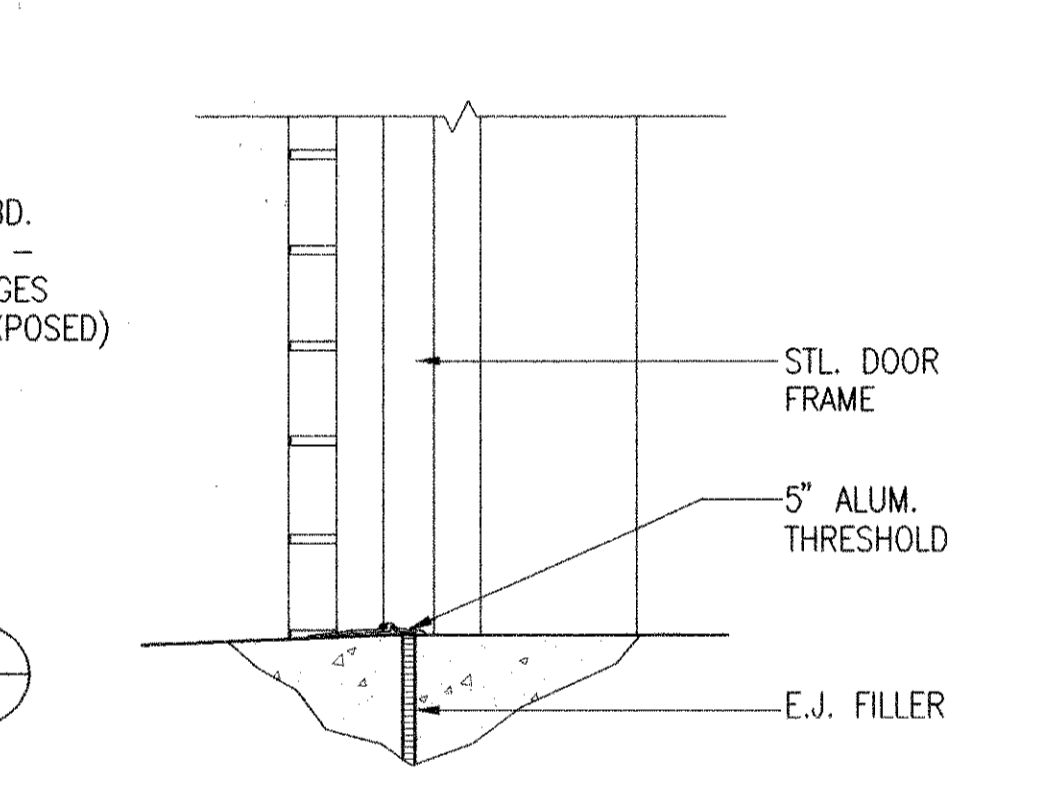


SILL

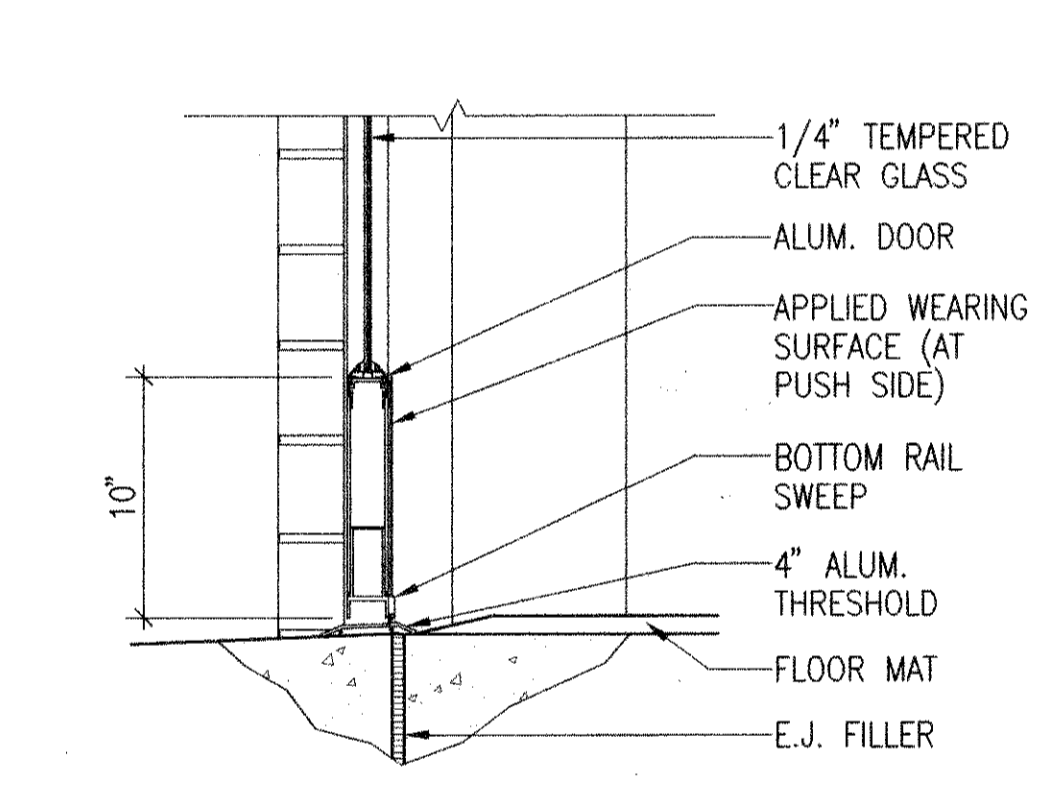
NOTES:
ALL EXTERIOR LOUVERS SHALL BE STORM-PROOFED. WHERE DUCT IS SMALLER THAN LOUVER, BLANK OFF REMAINDER OF LOUVER W/ INSULATED SHEET METAL.



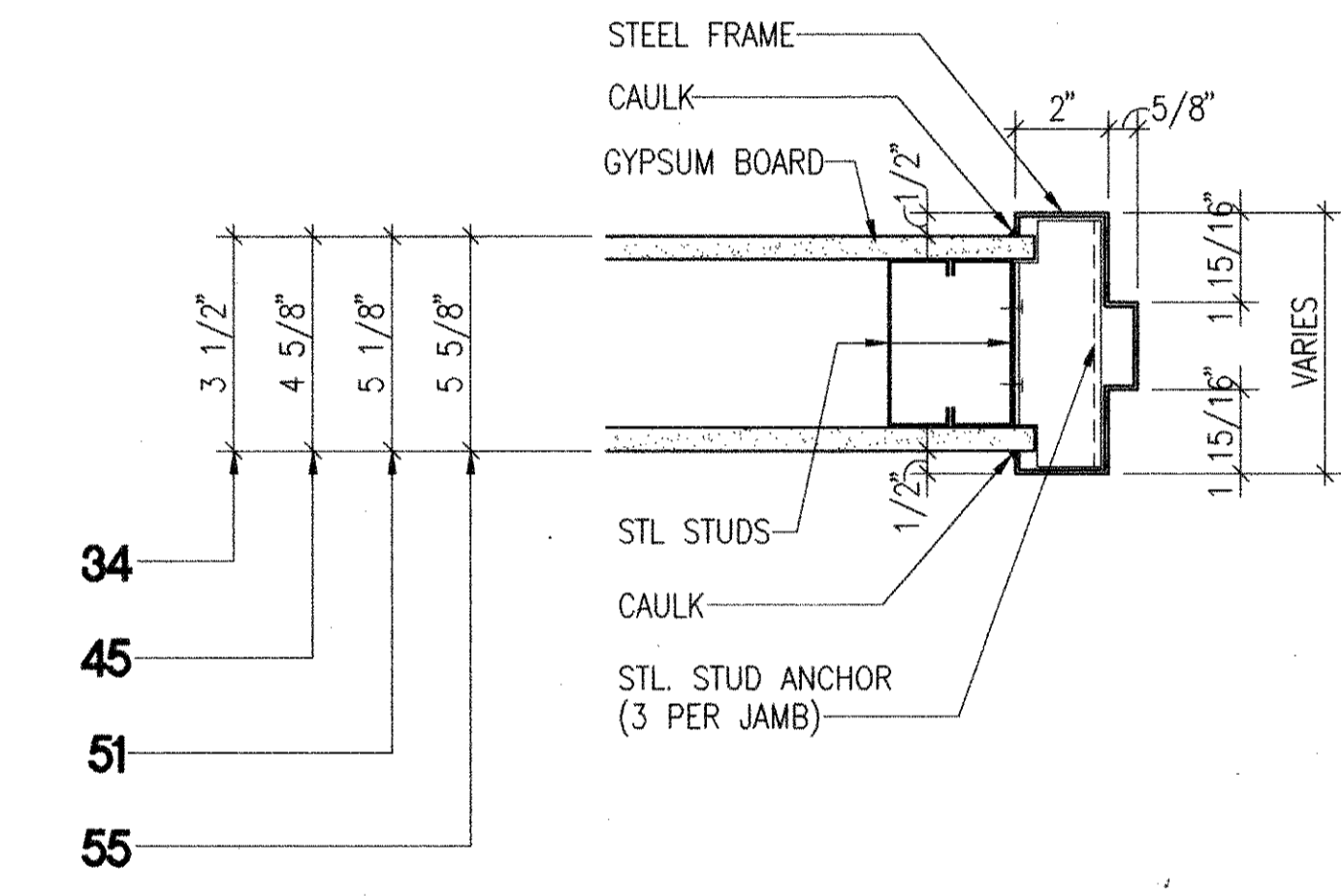
SILL



SILL



SILL



3 FRAME TYPES

A10 SCALE: 3" = 1'-0"

6 LOUVER DETAILS

A10 SCALE: 1 1/2" = 1'-0"

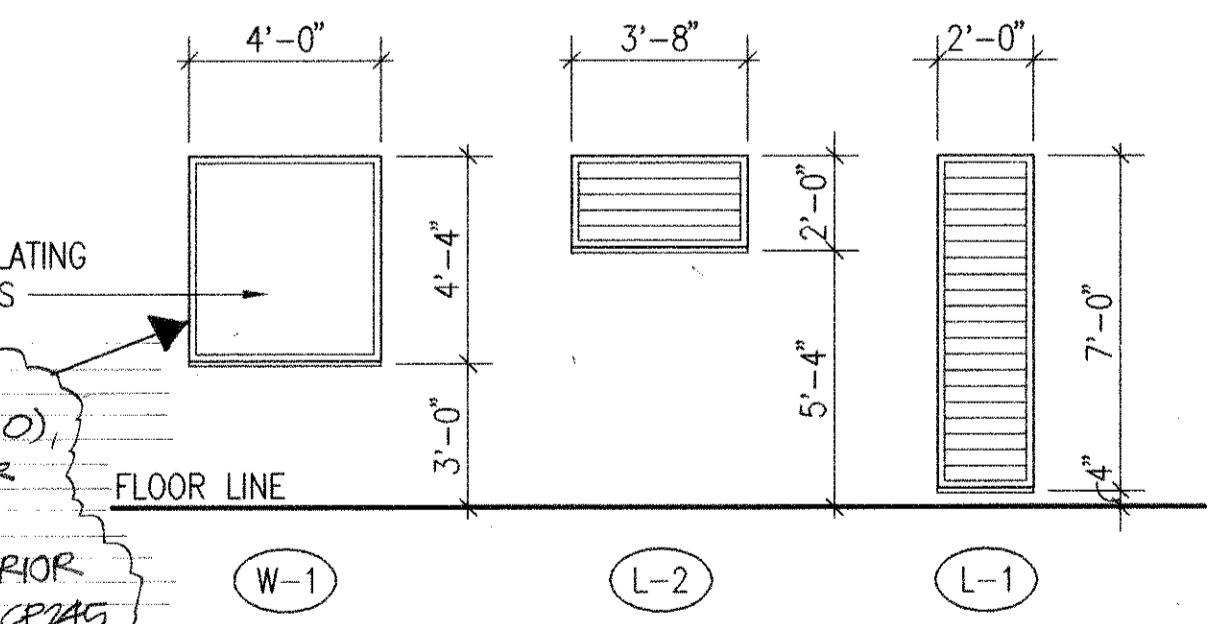
5 WINDOW DETAILS

A10 SCALE: 1 1/2" = 1'-0"

4 DOOR DETAILS

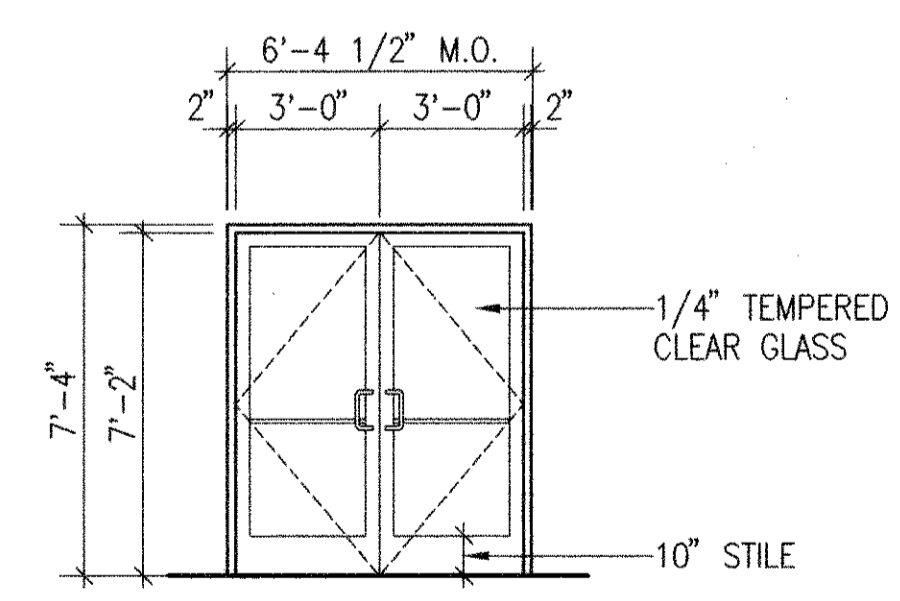
A10 SCALE: 1 1/2" = 1'-0"

OPTION: WINDOWS
IN PLACE OF ALUMINUM WINDOWS (SPEC SEC. 08520) AND 1" INSUL. GLASS (SPEC SEC. 08810), USE PREGLAZED (INSULATING GLASS), METAL OR VINYL CLAD COMMERCIAL GRADE FIXED VENTS, MEDIUM BRONZE EXTERIOR & FIELD PAINTED INTERIOR. WINDOWS MAY BE ONE OF FOLLOWING: ANDERSEN CP145 (R0 48 1/2 X 54 7/8), MARVIN MG 44 1/2 X 46 (50 X 50 5/8) OR PELLA P-4248 CA (47 1/2 X 53 3/4)



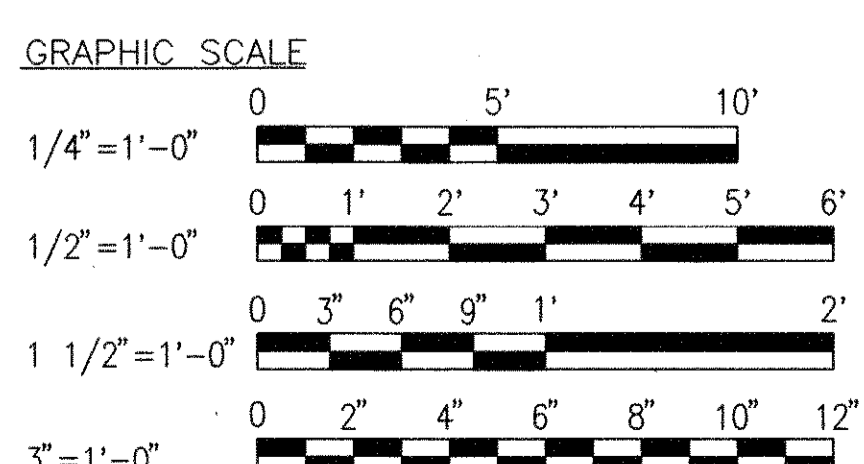
2 WINDOW AND LOUVER ELEVATIONS

A10 SCALE: 1/4" = 1'-0"



1 DOOR 101 AND 101A ELEVATION

A10 SCALE: 1/4" = 1'-0"



MILLS CLAGETT & WENING CHARTERED
ARCHITECTS ENGINEERS PLANNERS
5100 WISCONSIN AVE., N.W.
SUITE 407
WASHINGTON, D.C. 20016
(202) 686-2500
MCW PROJECT NO. 01495.00

CARSON K.C. MOK
CONSULTING ENGINEER, P.A.
9001 OTTAWA PLACE
SILVER SPRING, MD 20910
(301) 587-3448 / (301) 588-0088

R. PETROSSIAN ASSOCIATES, L.T.D.
ENGINEERS CONSULTANTS PLANNERS
1340 OLD CHAIN BRIDGE ROAD
MCLEAN, VIRGINIA 22101
(703) 556-0388

Drawing Title
DOOR AND WINDOW DETAILS, DOOR SCHEDULE

Approved: Area Director
Approved: Cemetery Director

Project Title
SYSTEMS INTEGRATION CENTER

Building Number
Checked
Drawn
AES/AMC

Location
**Department of Veterans Affairs
National Cemetery System
Quantico National Cemetery, Triangle, Virginia**

Date
OCT. 10, 1995
~~AUGUST 21, 1995~~

Project No.
872-CM3-014

Drawing No.
A10

Sheet 15 of 28

NATIONAL CEMETERY SYSTEM

