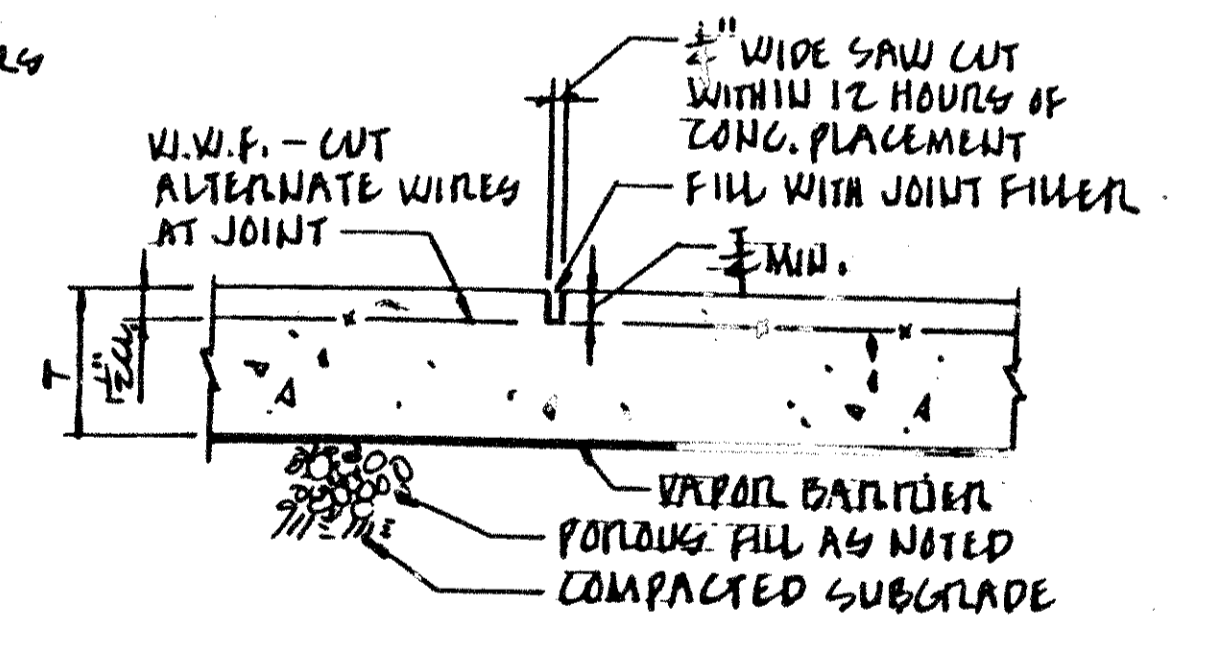
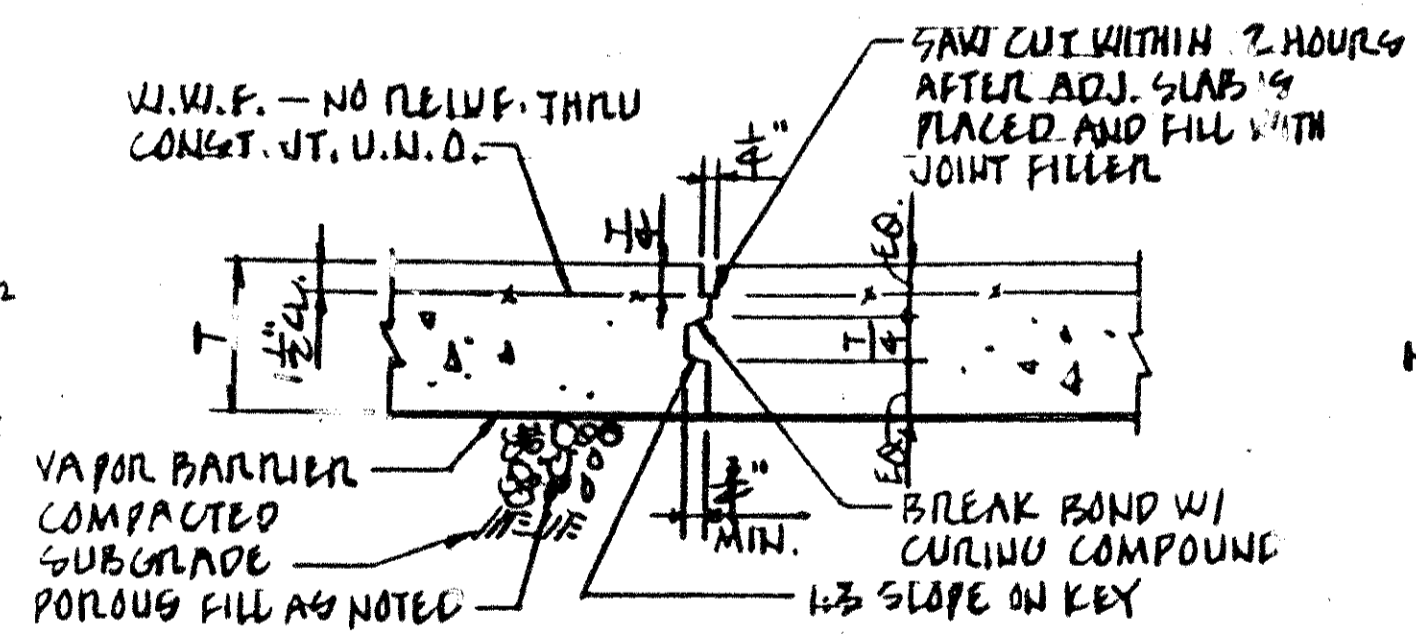
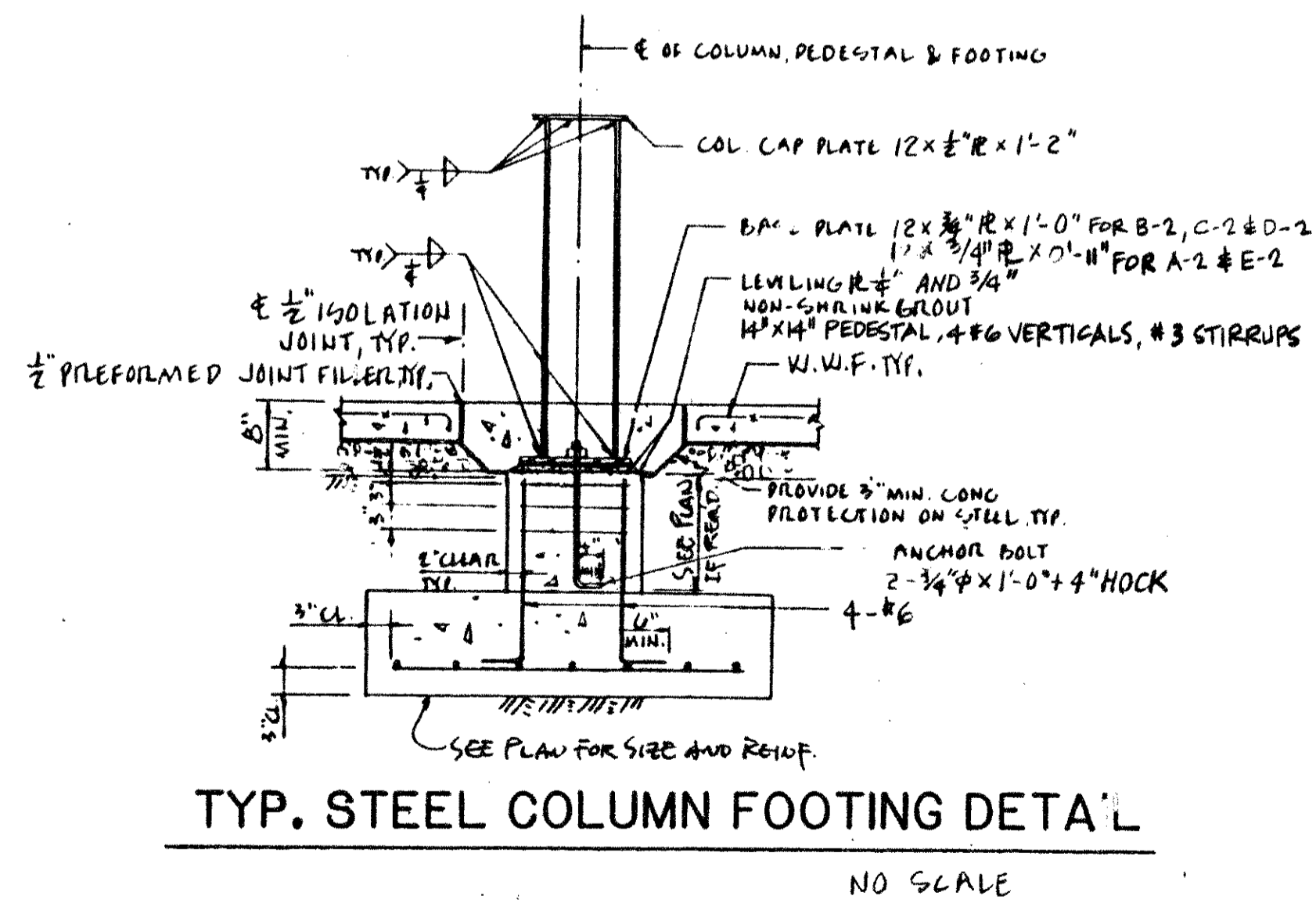


- NOTES:**
1. LANES SHALL BE CASTED IN SEQUENCE INDICATED.
 2. LANES SHALL BE DIVIDED BY CONSTRUCTION JOINTS AT COLUMN ϕ OR AS SHOWN ON PLAN.
 3. ALLOW 48 HOURS BETWEEN ADJACENT LANE PLACEMENT.

SLAB ON GRADE PLACING SEQUENCE AND CONTROL JOINTS



TYP. SLAB CONSTR. JOINT
NO SCALE

TYP. SLAB CONTROL JOINT
NO SCALE

- NOTES:**
1. LOCATE CONSTRUCTION JOINTS AND CONTROL JOINTS ALONG COLUMN LINES GENERALLY.
 2. PROVIDE SUPPORT TO HOLD REINF. IN BOTTOM.
 3. PROVIDE CONSTRUCTION JOINT TO DIVIDE SLAB INTO STRIPS NOT TO EXCEED 1200 SQ. FT. IN AREA.
 4. SAW CUT CONTROL JOINTS TO DIVIDE SLAB INTO NEAR-SQUARE SHAPES NOT EXCEED 500 SQ. FT. IN AREA WHEN CONCRETE HAS HARDENED SUFFICIENTLY TO PERMIT CUTTING WITHOUT CHIPPING OR SPALLING OR TEARING.
 5. CONSTRUCTION JOINT MAY REPLACE CONTROL JOINT.

MILLS CLAGETT & WENING CHARTERED
ARCHITECTS ENGINEERS PLANNERS
5100 WISCONSIN AVE., N.W.
SUITE 407
WASHINGTON, D.C. 20016
(202) 688-2500
MCA PROJECT NO. 01495.00

CARSON K.C. MCK
CONSULTING ENGINEER, P.A.
6901 OTTAWA PLACE
SILVER SPRING, MD 20910
(301) 367-3446 / (301) 366-6888

R. PETROSSIAN ASSOCIATES, LTD.
ENGINEERS CONSULTANTS PLANNERS
1240 P.O. OWAN BRIDGE ROAD
WALEN, VIRGINIA 22191
(703) 558-0388

Drawing Title

Approved: Area Director

Approved: Consulting Director

Project Title

SYSTEMS INTEGRATION CENTER

Building Number

Checked

Drawn

Department of Veterans Affairs
National Cemetery System
Quantico National Cemetery, Triangle, Virginia

Date

OCT. 10, 1995

Project No.

872-CM-014

Drawing No.

S - 5

Sheet

20 of 28

NATIONAL CEMETERY SYSTEM

Department of Veterans Affairs