

### AIR HANDLING UNIT SCHEDULE

UNIT NO.	UNIT TYPE	SUPPLY FAN					DIRECT EXPANSION COIL CAP.					HEATING COIL				ELECTRIC DATA				AIR FILTER			REMARKS			
		CFM		DRIVE	MAX. RPM	E.S.P. IN. W.G.	HP	AIR °F		CAP. MBH		MAX. APD. IN. W.G.	EAT.	LAT.	CAPACITY (BTU/HR)	GPM	VOLT	PH	HZ	TYPE	IN. APD. IN. W.G.	FINAL APD. IN. W.G.		ASHRAE EFF. %		
		S.A.	O.A.					D.B.	W.B.	D.B.	W.B.														TOTAL	SENS.
AHJ-1	VERTICAL SINGLE ZONE	5280	760	BELT	1180	1.0	5.0	81.0	67.0	56.7	55.1	146.044	157.200	0.96	56.8	85	148,000	14.8	208	3	60	THROUGH AWAY	0.05	0.30	30-35	UNIT SHALL BE SIMILAR TO CARRIER MODEL 34L SIZE 10

NOTES: 1. HOT WATER TEMPERATURE ENT/LVG = 180°F/160°F

### SELF CONTAINED COMPUTER ROOM AIR CONDITIONING UNIT SCHEDULE

UNIT NO.	UNIT TYPE	SUPPLY FAN		COOLING COIL				HUMIDIFIER		COMPR. FLA	AIR COOLED CONDENSER			ELECTRICAL	APPROX. OPERATING HEIGHT INDOOR UNIT ONLY	REMARKS		
		CFM	HP	AIR °F		CAP. MBH		CAPACITY (LB/HR)	KWH		FLA	MCA	MPS					
				ENT.	LVG.	TOTAL	SENS.											
CRAC-1	HORIZONTAL BOTTOM DISCHARGE	1200	1/2	75.0	62.5	57.6	56.2	26.3	24.3	0.5	1.7	9.5	2.2	---	---	208V-3Ø	275 LBS.	REMOTE AIR COOLED CONDENSER
CRAC-2	HORIZONTAL BOTTOM DISCHARGE	1700	1/2	75.0	62.5	57.6	56.2	38.8	35.8	0.5	1.7	14.3	2.2	---	---	208V-3Ø	275 LBS.	REMOTE AIR COOLED CONDENSER

### CONDENSING UNIT SCHEDULE

UNIT NO.	SERVICE	CAP. (BTU/HR)		ELECTRICAL DATA						REMARKS			
		TOTAL	SENS.	COMPRESSOR		COND. FAN		ELECTRICAL					
				NO.	RLA	LRA	NO.	FLA	VOLT		PH	HZ	
CU-1	AHJ-1	146,100	157,200	1	63.3	266	1	4.3	5.7	208	3	60	

NOTES: 1. OUTDOOR 45°F DB/18°F WB

### RETURN AIR FAN SCHEDULE

UNIT NO.	TYPE	CFM	T.S.P. (IN. W.G.)	MAX. RPM	MOTOR			MAX. SONES	DRIVE	REMARKS
					HP	VOLTS	PH			
RF-1	IN-LINE	4300	0.375	460	1/2	208	3	6.7	BELT	

### OIL-FIRED HOT WATER BOILER SCHEDULE

UNIT NO.	HEATING CAP. (MBH)		BURNER				HOT WATER		OPERATION PRESS. PSI.	REMARKS	
	INPUT	OUTPUT	GPM	MOTOR HP.	VOLT	PH	ENT. °F	LMT. °F			
CAST IRON	353	300	2.52	1/2	115	1	60	160	180	30	

### TERMINAL HEATING COIL SCHEDULE

UNIT NO.	CFM	AIR TEMP.		HEATING CAP (BTUH)	GPM	PIPE CONN SIZE	REMARKS
		ENT. °F	LVG. °F				
TH-1	280	56	85	8,800	0.9	3/4"	
TH-2	600	56	85	18,800	1.4	3/4"	
TH-3	650	56	85	27,400	2.4	3/4"	
TH-4	240	56	85	10,200	1.0	3/4"	
TH-5	540	56	85	22,800	2.3	3/4"	
TH-6	190	56	85	8,000	0.8	3/4"	
TH-7	1275	56	85	53,700	5.4	1"	
TH-8	215	56	85	6,740	0.7	3/4"	
TH-9	100	56	85	4,200	0.4	3/4"	
TH-10	250	56	85	10,600	1.1	3/4"	
TH-11	450	56	85	19,000	1.9	3/4"	
TH-12	500	56	85	15,700	1.6	3/4"	

### HOT WATER CIRCULATION PUMPS EXPANSION TANK

TYPE: IN-LINE  
CAPACITY: 30 GPM, 40 FT. HEAD  
PUMP SIZE: 1-1/2"  
MOTOR: 3/4 HP, 208 VOLTS, 3PH, 60HZ  
ONE PUMP FOR STANDBY

TYPE: HORIZONTAL, DIAPHRAGM-TYPE PRE-PRESSURIZED  
TANK VOLUME: 21 GALLONS  
CAPACITY: 12" x 25-3/4"

### OIL STORAGE TANK

500 GAL. CAPACITY STEEL TANK ENCASED IN CONC. SECONDARY CONTAINMENT  
PROVIDE OIL LEVEL TANK GAGING SYSTEM, OIL LEAKAGE AND DETECTION SYSTEM INCLUDING OIL TANK CONTROL UNIT AND SPILLBOX SYSTEM.

### SYMBOL LIST & ABBREVIATIONS

	DUCTWORK	ESP	EXTERNAL STATIC PRESSURE
	FLEXIBLE DUCT, ROUND	FLA	FULL LOAD AMPS
	CHANGE OF ELEVATION - RISE IN DIRECTION OF FLOW	LVG.	LEAVING
	CHANGE OF ELEVATION - DROP IN DIRECTION OF FLOW	LAT	LEAVING AIR TEMPERATURE
	THERMOSTAT	MBH	BTU PER HOUR (THOUSAND)
	NIGHT SET BACK	OA	OUTSIDE AIR
	DUCT-MOUNTED SMOKE DETECTOR	OAI	OUTSIDE AIR INTAKE
	HUMIDISTAT	OAIL	OUTSIDE AIR INTAKE LOUVER
	MANUAL VOLUME DAMPER	PH	PHASE
	UNDERCUT DOOR	RF	RETURN AIR FAN
	CEILING DIFFUSER	SP	STATIC PRESSURE
	MOTORIZED DAMPER	SA	SUPPLY AIR
A.H.U.	AIR HANDLING UNIT	TD	TRANSFER DUCT
B.J.	BETWEEN JOIST	TEMP	TEMPERATURE
A.F.F.	ABOVE FINISHED FLOOR	TR.G	TRANSFER GRILLE
APPROX.	APPROXIMATE	TH-	TERMINAL HEATING COIL
COND. UNIT	CONDENSING UNIT	TSP	TOTAL STATIC PRESSURE
CFM	CUBIC FEET PER MINUTE	WB °F	WET BULB TEMPERATURE
CRAC	COMPUTER ROOM AIR CONDITIONING UNIT	HW-S	HOT WATER SUPPLY PIPING
DN	DOWN	HW-R	HOT WATER RETURN PIPING
DB °F	DRY BULB TEMPERATURE	RS	REFRIGERANT SUCTION LINE
EAT	ENTERING AIR TEMPERATURE	RL	REFRIGERANT LIQUID LINE
ENT	ENTERING WATER TEMPERATURE	HS	REFRIGERANT HOT GAS LINE
ENT	ENTERING	D	CONDENSATE DRAIN
EA	EXHAUST AIR	DN	DOMESTIC COLD WATER
			SHUT-OFF VALVE
			UNION
			SHUT-OFF COCK

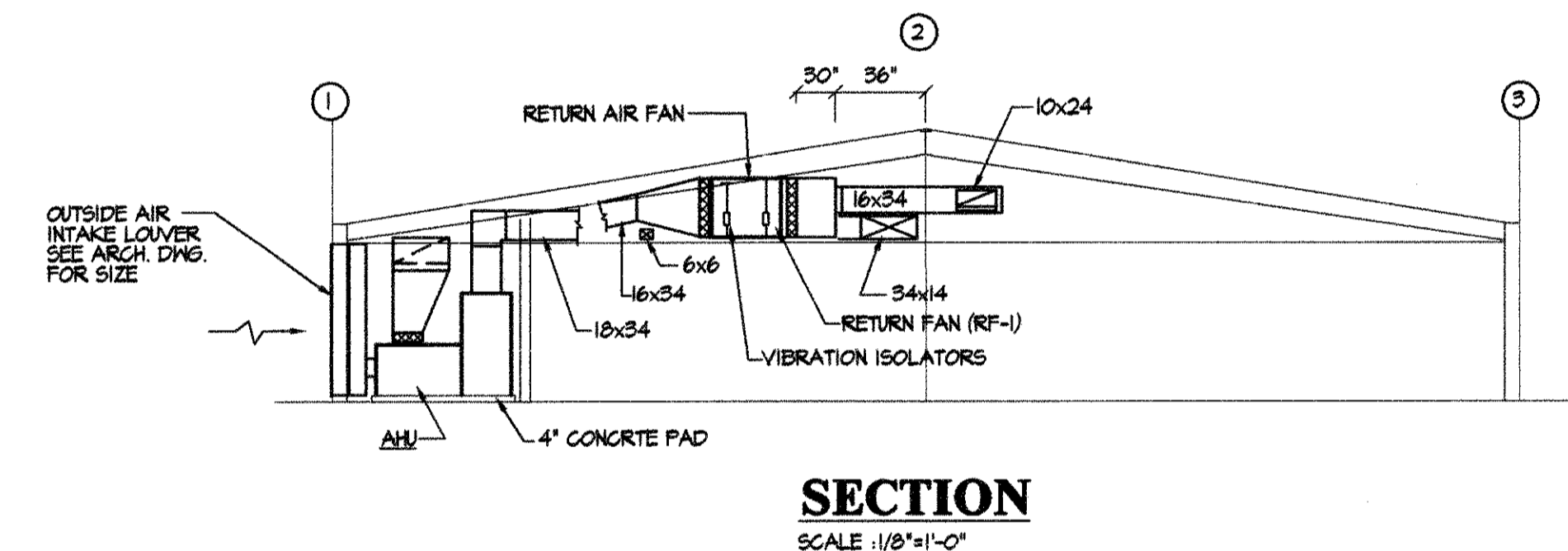
### EXHAUST FAN SCHEDULE

UNIT NO.	TYPE	CFM	T.S.P. (IN. W.G.)	MAX. RPM	MOTOR		MAX. SONES	DRIVE	REMARKS	
					HP	VOLTS				
EF-1	POWER ROOM VENTILATOR	375	0.25	1075	1/6	115	1	3.9	DIRECT	TOILETS
EF-2	CABINET CEILING FAN	200	0.25	1050	1/6	115	1	1.5	DIRECT	STORAGE ROOM, JANITOR CLOSET, & KITCHEN

### CEILING DIFFUSER AND CEILING GRILLE

CFM RANGE	DIFF. NECK SIZE	GRILLE NECK SIZE	TYPE	MAX. N.C.	REMARKS
UP TO 120 CFM	6" DIAMETER	6x6	24x24 PERFORATED FACE	30	
125 - 2,500 CFM	8" DIAMETER	8x8	24x24 PERFORATED FACE	30	
255 - 400 CFM	10" DIAMETER	10x10	24x24 PERFORATED FACE	30	

NOTES: 1. SIZE OF FLEXIBLE DUCT SHALL BE SAME AS DIFFUSER'S NECK SIZE



**MILLS CLAGETT & WENING**  
ARCHITECTS ENGINEERS PLANNERS  
5100 WISCONSIN AVE., N.W.  
SUITE 407  
WASHINGTON, D.C. 20016  
(202) 688-2500  
MCW PROJECT NO. 01495.00

**CARSON K.C. MOK**  
CONSULTING ENGINEER, P.A.  
9001 OTTAWA PLACE  
SILVER SPRING, MD 20910  
(301) 587-3448 / (301) 588-0088

**R. PETROSSIAN ASSOCIATES, LTD.**  
ENGINEERS CONSULTANTS PLANNERS  
1340 OLD CHAM BRIDGE ROAD  
McLEAN, VIRGINIA 22101  
(703) 556-0388

Drawing Title: **SCHEDULES, DETAILS, AND SYMBOLS**

Approved: Area Director  
Approved: Cemetery Director

Project Title: **SYSTEMS INTEGRATION CENTER**

Date: 10/10/95

Project No.: **872-CM-014**

Building Number: \_\_\_\_\_ Checked: \_\_\_\_\_ Drawn: G.O.

Location: **Department of Veterans Affairs  
National Cemetery System  
Quantico National Cemetery, Triangle, Virginia**

Drawing No.: **M-1**

Sheet 21 of 28

**NATIONAL CEMETERY SYSTEM**

