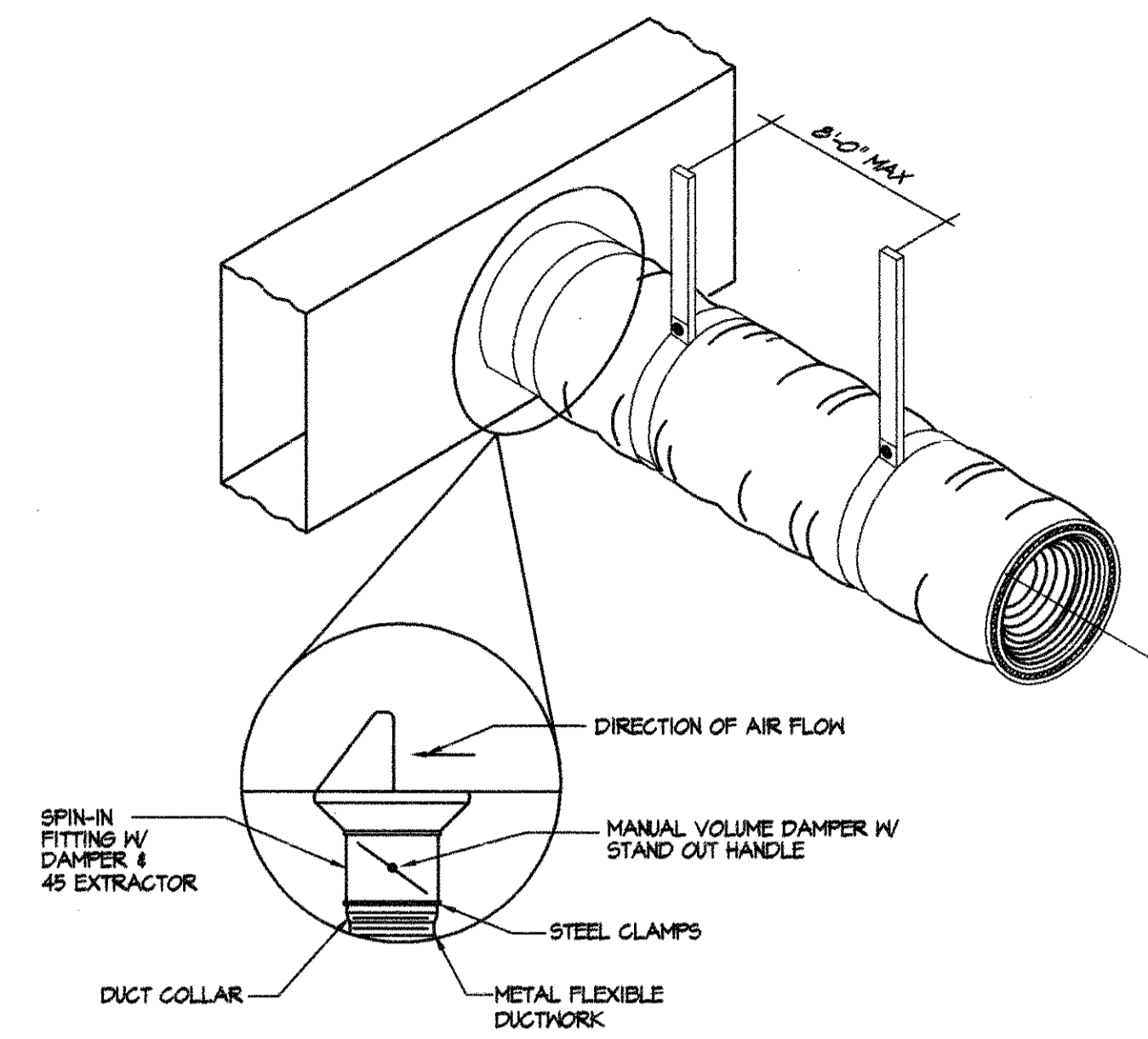
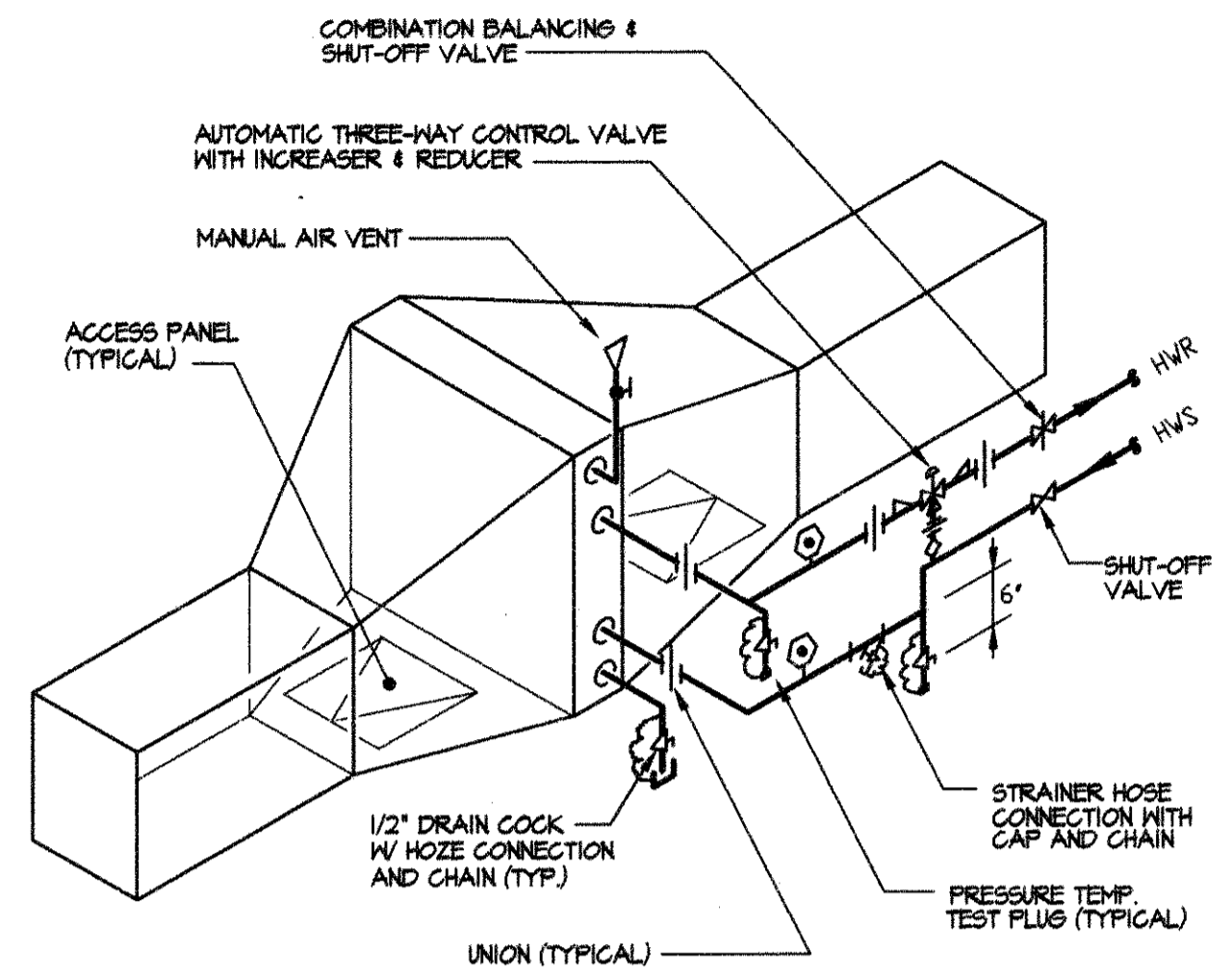


RECTANGULAR GOOSENECK AND COUNTER FLASHING DETAIL
NOT TO SCALE



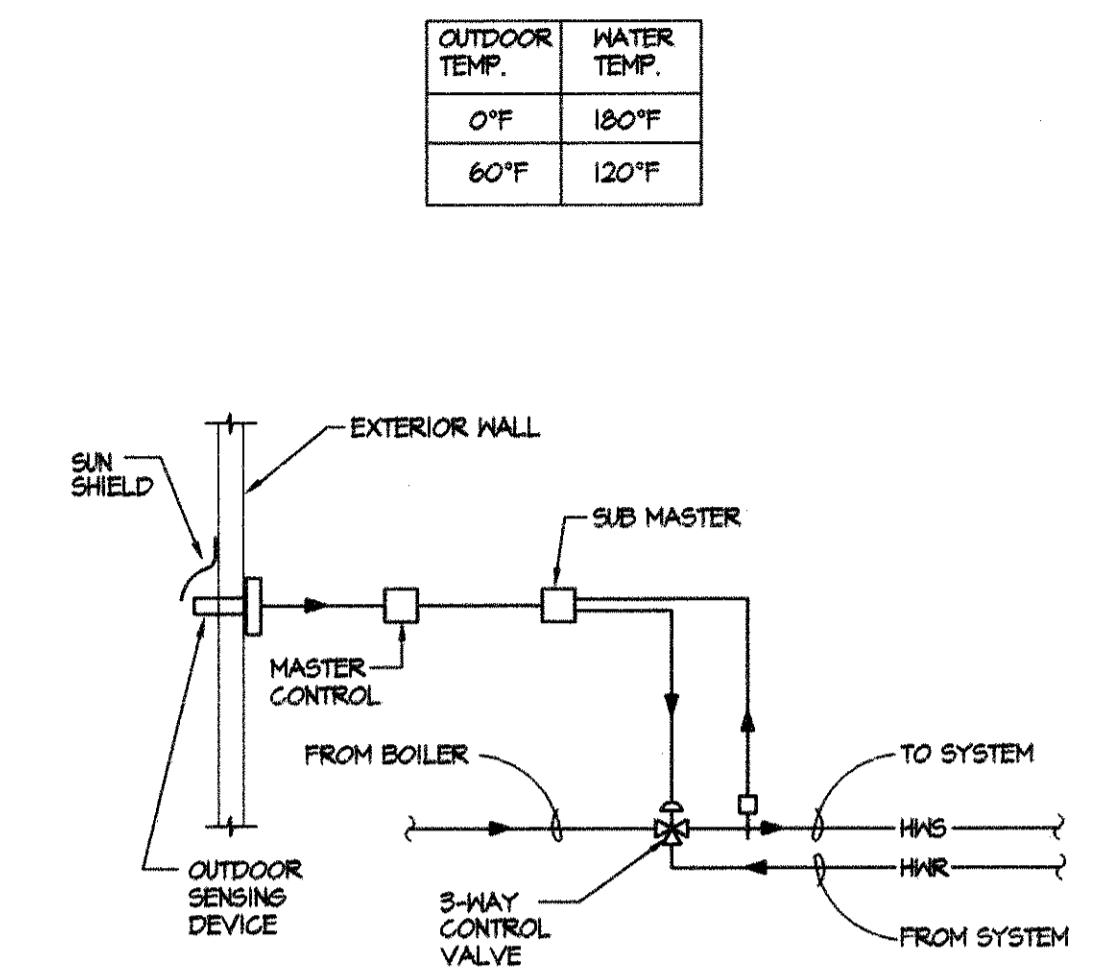
- NOTES:**
1. MAXIMUM ALLOWABLE LENGTH OF FLEXIBLE DUCT = 10'-0"
 2. THE ENDS OF DUCT SHALL BE TRIMMED SQUARELY PRIOR TO INSTALLATION.
 3. DUCT SHOULD EXTEND STRAIGHT FOR SEVERAL INCHES FROM A CONNECTION BEFORE BENDING.

FLEXIBLE DUCT CONNECTION DETAIL
NOT TO SCALE



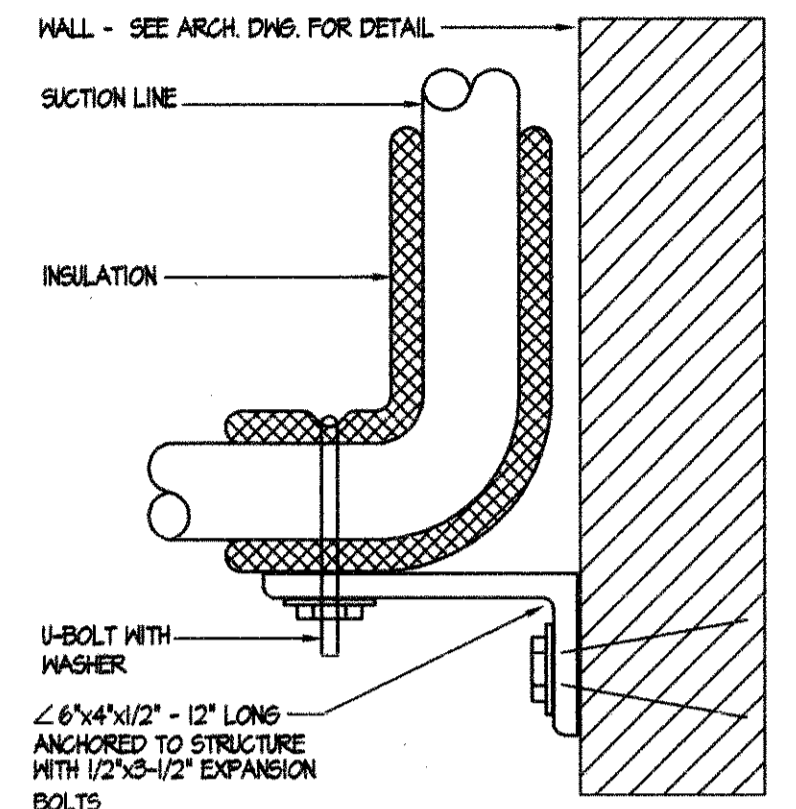
- NOTES:**
1. PROVIDE AND FURNISH COMPLETE TWO KITS OF TEMPERATURE GAUGES SUITABLE FOR PRESSURE & TEMPERATURE TEST PLUS COMPLETE WITH ALL NECESSARY FITTINGS AND ATTACHMENTS

HEATING COIL PIPING DETAIL
NOT TO SCALE



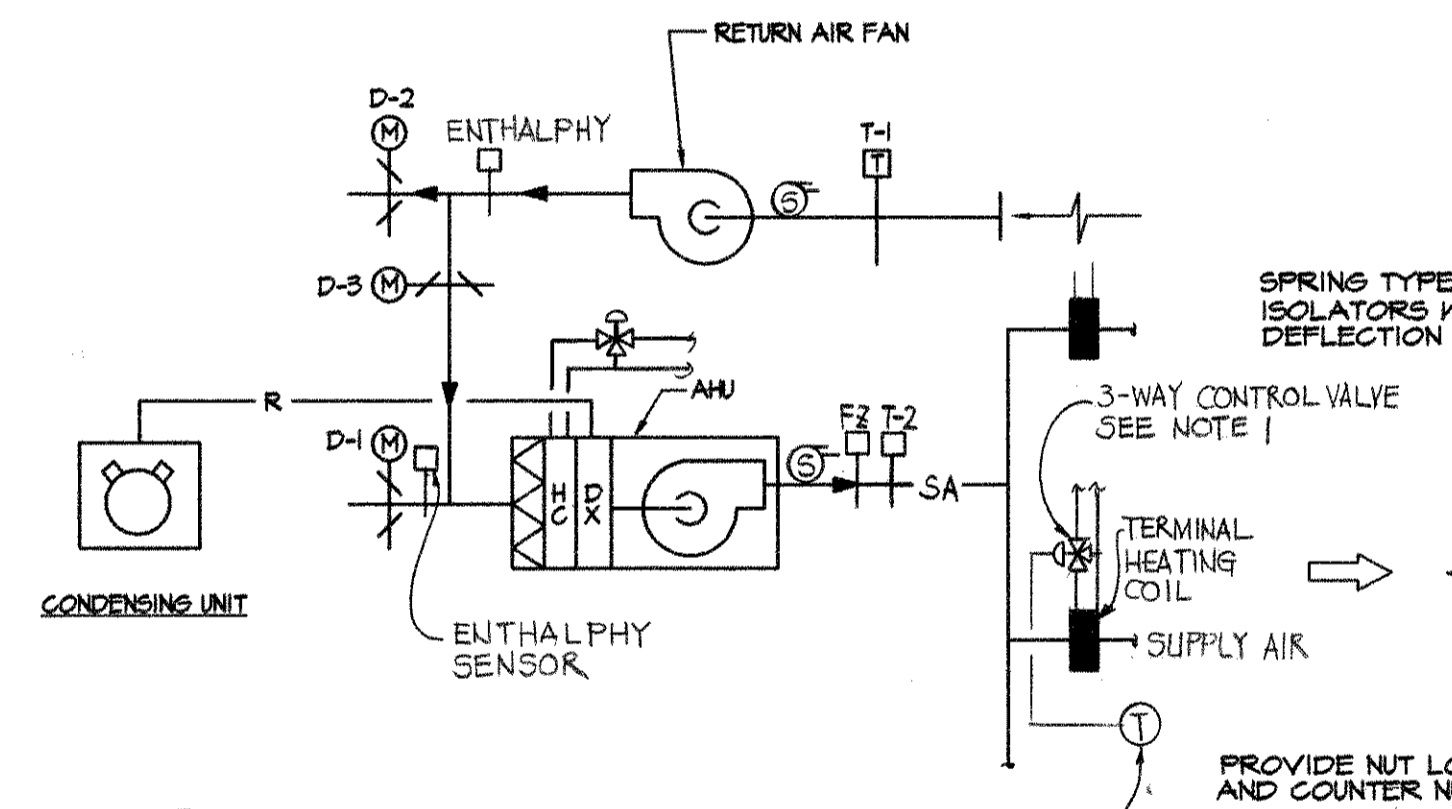
OUTDOOR TEMP.	WATER TEMP.
0°F	180°F
60°F	120°F

OUTDOOR RESET CONTROL DETAIL
NOT TO SCALE



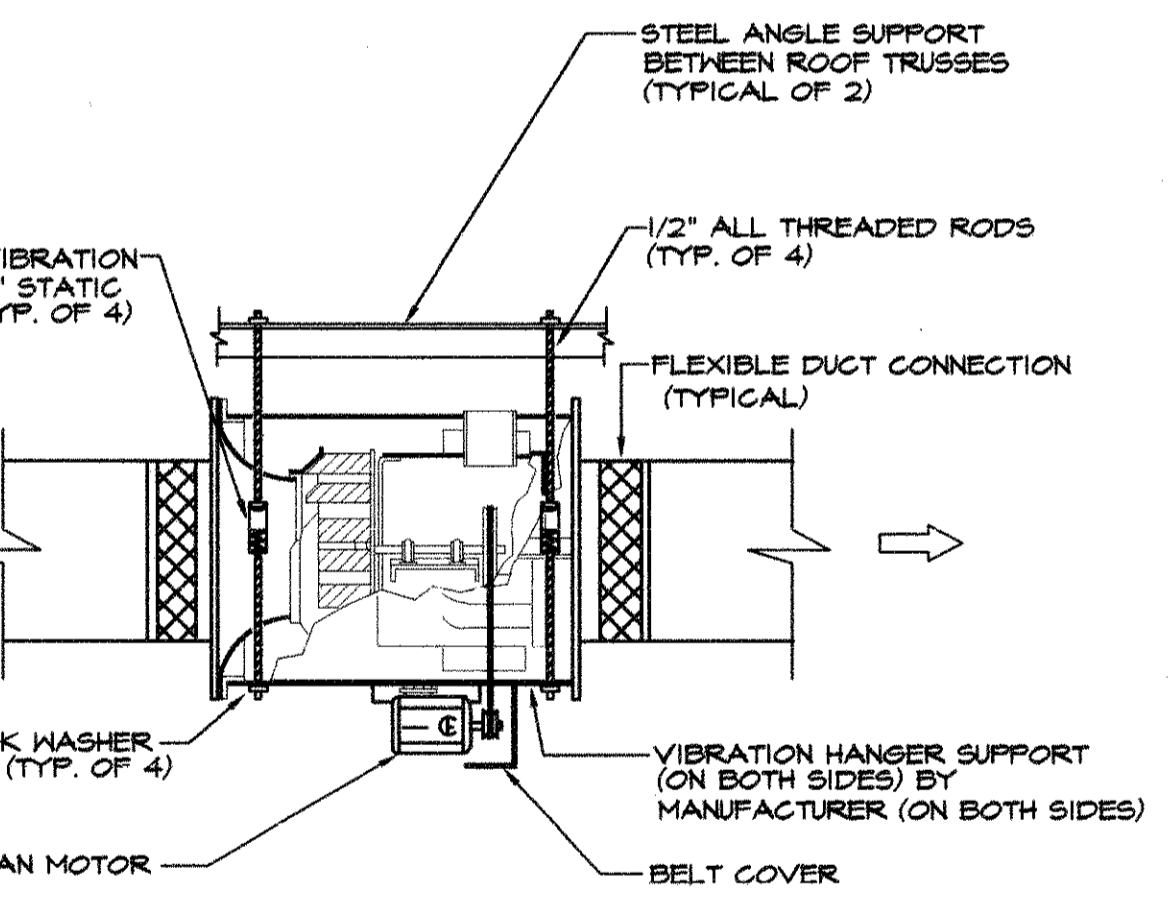
NOTE:
LIQUID LINE SIMILAR WITH FELT LINED BRASS SLEEVE AROUND PIPE.

REFRIGERANT PIPE SUPPORT AT WALL
NOT TO SCALE



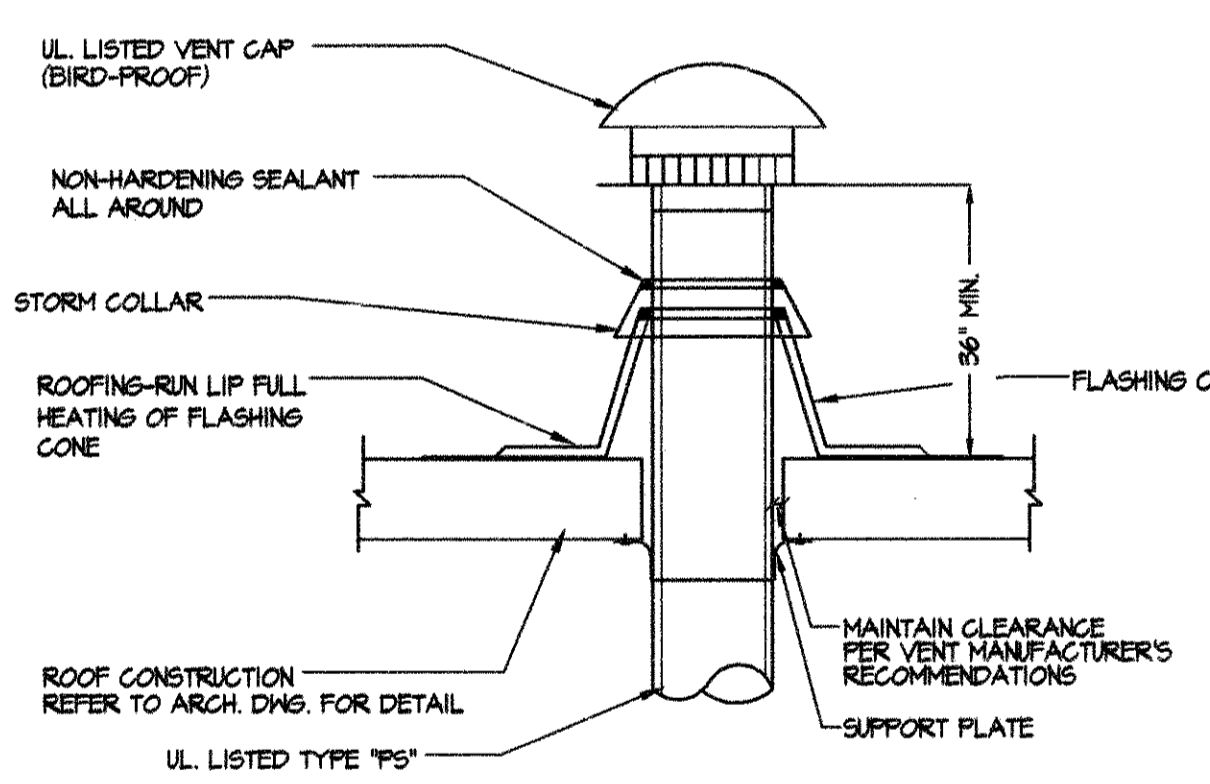
- NOTES:** 1. ROOM THERMOSTAT SHALL MODULATE HEATING COIL VALVE TO MAINTAIN ITS SET POINT.

AUTOMATIC TEMPERATURE CONTROL DIAGRAM
NOT TO SCALE

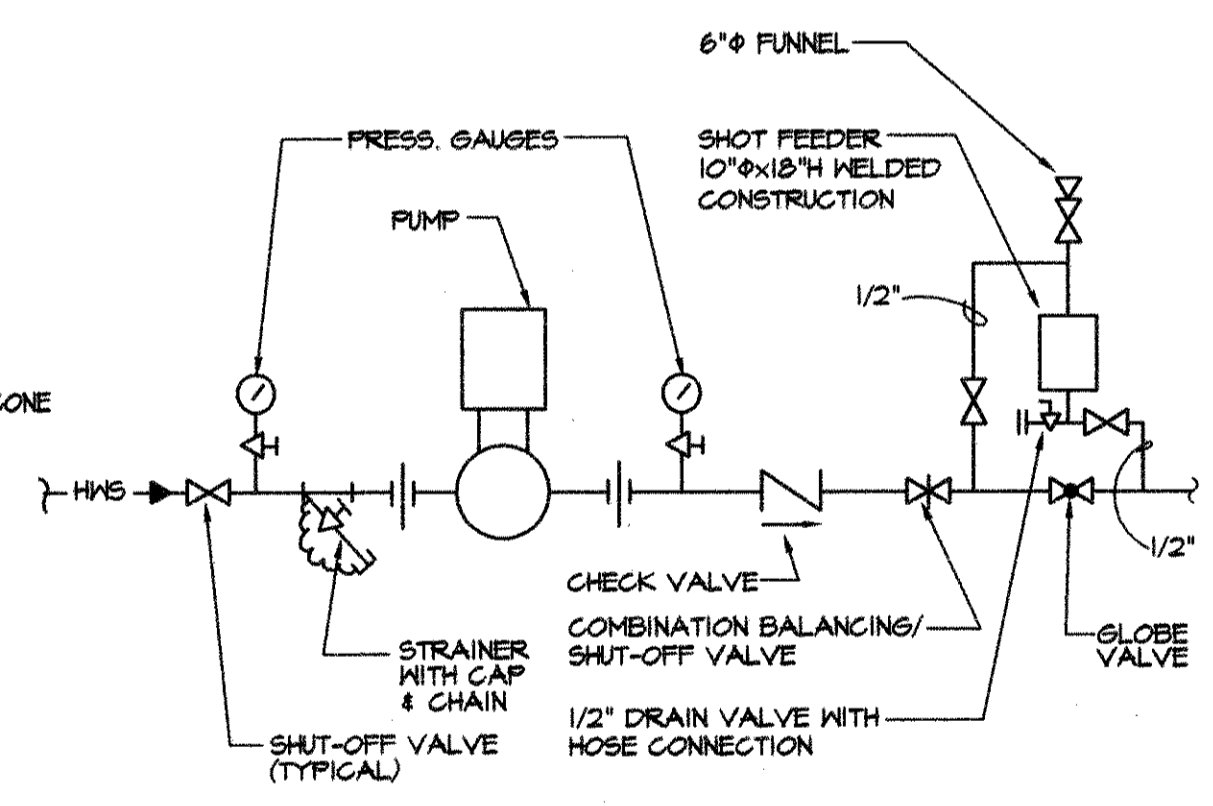


- NOTES:**
1. INSTALL FAN AS HIGH AS POSSIBLE, BETWEEN JOISTS.

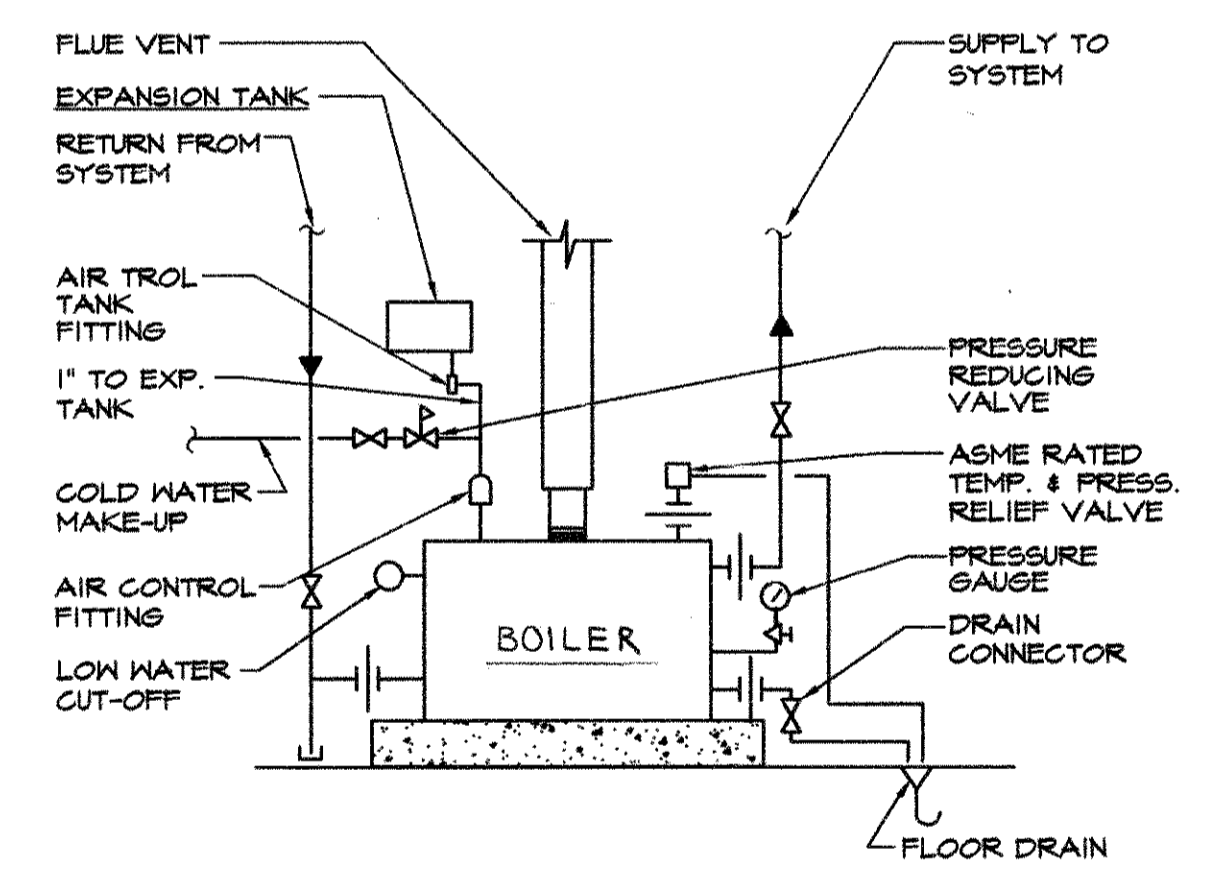
RETURN AIR FAN DETAIL
NOT TO SCALE



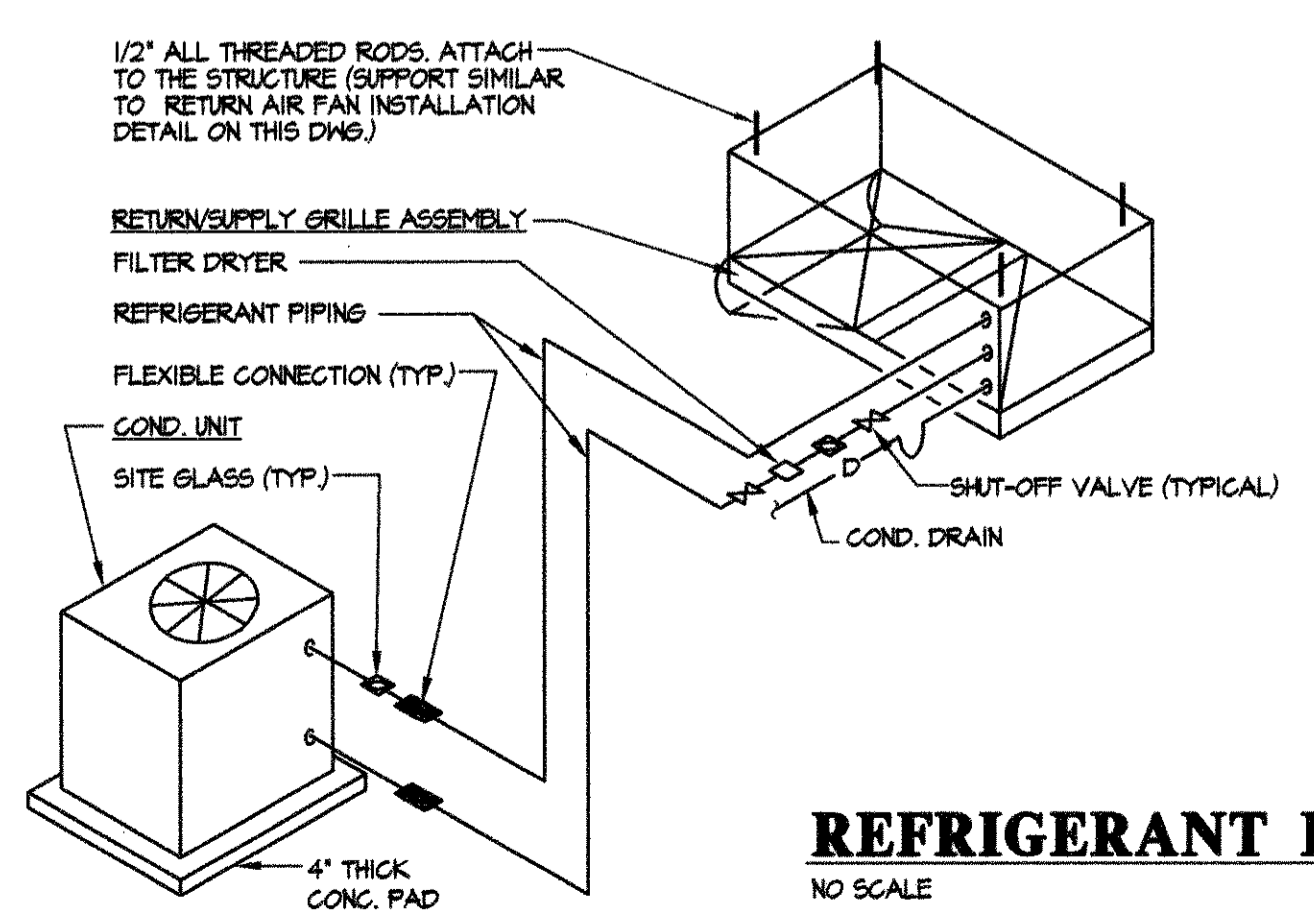
STACK DETAIL
NOT TO SCALE



IN-LINE CIRCULATING PUMP DETAIL
NOT TO SCALE



OIL FIRED CAST IRON HOT WATER BOILER DETAIL
NOT TO SCALE



- NOTES:**
1. ALL REFRIGERANT PIPING SHALL BE ARRANGED & SIZED AS RECOMMENDED BY EQUIPMENT MANUFACTURER'S AND SHALL BE CHARGED WITH REFRIGERANT.
 2. REFRIGERANT PIPING CONNECTION DETAIL IS DRAWN BASED ON COMPUTER ROOM A/C. THE REFRIGERANT PIPING ARRANGEMENT SHALL BE SIMILAR TO AHU-1 EXCEPT WITH RETURN/SUPPLY AIR OPENING ARRANGEMENT.

REFRIGERANT PIPING CONNECTION DETAIL
NOT TO SCALE

MILLS CLAGETT & WENING CHARTERED
ARCHITECTS ENGINEERS PLANNERS
5100 WISCONSIN AVE., N.W.
SUITE 407
WASHINGTON, D.C. 20016
(202) 686-2500
MCW PROJECT NO. 01495.00

CARSON K.C. MOK
CONSULTING ENGINEER, P.A.
9001 OTTAWA PLACE
SILVER SPRING, MD 20910
(301) 587-3448 / (301) 588-0088

R. PETROSSIAN ASSOCIATES, LTD.
ENGINEERS CONSULTANTS PLANNERS
1340 OLD CHAIN BRIDGE ROAD
MCLEAN, VIRGINIA 22101
(703) 556-0388

Drawing Title
DETAILS

Approved: Area Director
Approved: Cemetery Director

Project Title
SYSTEMS INTEGRATION CENTER

Building Number
Checked
Drawn
G.O.

Location
**Department of Veterans Affairs
National Cemetery System
Quantico National Cemetery, Triangle, Virginia**

Date
10/10/95

Project No.
872-CM-014

Drawing No.
M-3

Sheet 23 Of 28

NATIONAL CEMETERY SYSTEM

Department of Veterans Affairs