

PLUMBING FIXTURE CONNECTION SCHEDULE

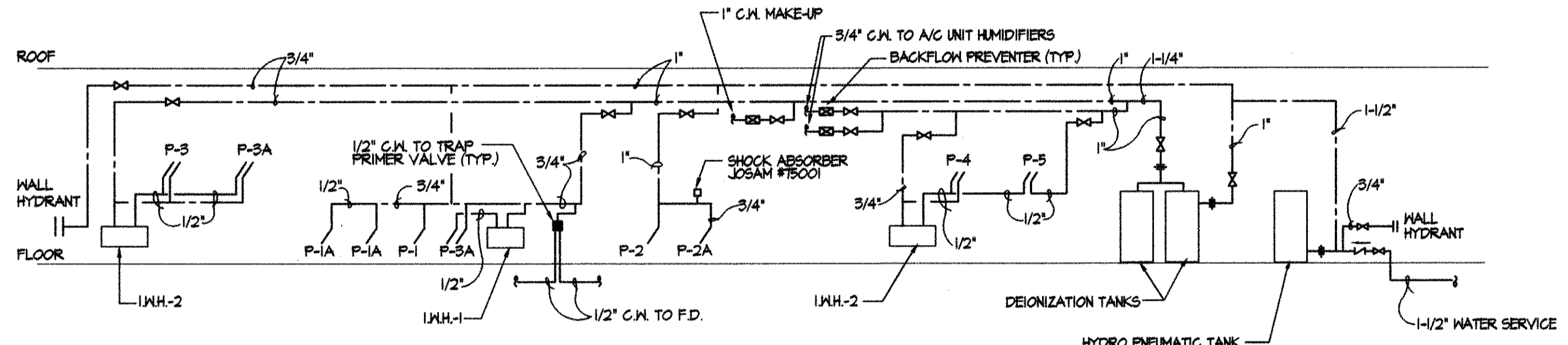
FIXT. No.	DESCRIPTION	SAN.	VENT	C.H.	H.H.	
P-1	WATER CLOSET	4"	2"	1"	---	FLOOR MOUNTED, TANK TYPE
P-1A	WATER CLOSET	4"	2"	1"	---	FLOOR MOUNTED, TANK TYPE HANDICAPPED
P-2	URINAL	2"	1-1/2"	3/4"	---	WALL HUNG, FLUSH VALVE
P-2A	URINAL	2"	1-1/2"	3/4"	---	WALL HUNG, FLUSH VALVE HANDICAPPED
P-3	LAVATORY	1-1/2"	1-1/2"	1/2"	---	COUNTER TOP
P-3A	LAVATORY	1-1/2"	1-1/2"	1/2"	1/2"	COUNTER TOP HANDICAPPED
P-4	SINK	1-1/2"	1-1/2"	1/2"	1/2"	COUNTER TOP, WITH DISPOSER
P-5	SERVICE SINK	3"	1-1/2"	1/2"	1/2"	

INSTANTANEOUS WATER HEATER No. 1 : HUBBEL MODEL No. MDT6-RS, 0.60 GPM MIN. FLOW, 6 KW, 208 VOLTS.

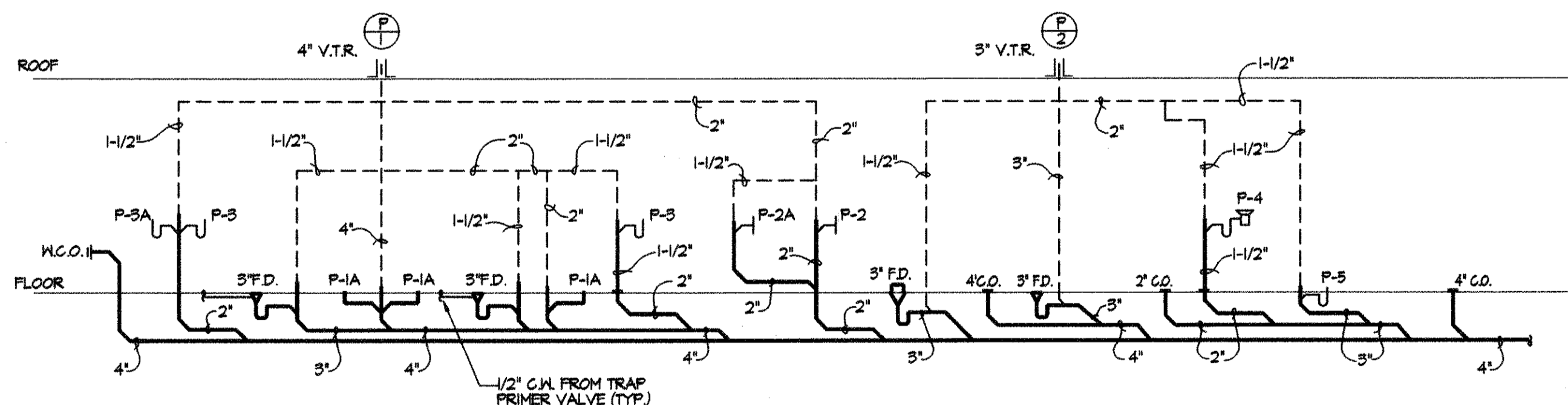
INSTANTANEOUS WATER HEATER No. 2 : HUBBEL MODEL No. MDT4-RS, 1 GPM MIN. FLOW, 9 KW, 208 VOLTS.

SYMBOL LIST

- COLD WATER PIPING (C.W.)
- HOT WATER PIPING (H.W.)
- SANITARY SEWER
- VENT PIPING
- ELBOW DOWN
- ELBOW UP
- SHUT-OFF VALVE IN VERTICAL
- UNION
- SHUT-OFF VALVE
- CHECK VALVE
- CLEANOUT (C.O.)
- BACKFLOW PREVENTER
- FLOOR DRAIN (F.D.)
- DRAIN PIPING
- INSTANTANEOUS WATER HEATER (I.W.H.)
- A/C
- C.O.
- F.D.
- INV. EL.
- SAN.
- TYP.
- V.T.R.
- W.C.O.



WATER PIPING RISER DIAGRAM
NOT TO SCALE



WASTE PIPING RISER DIAGRAM
NOT TO SCALE

MILLS CLAGETT & WENING CHARTERED
ARCHITECTS ENGINEERS PLANNERS
5100 WISCONSIN AVE., N.W.
SUITE 407
WASHINGTON, D.C. 20016
(202) 698-2500
MCW PROJECT NO. 01495.00

CARSON K.C. MCK CONSULTING ENGINEER, P.A.
9001 OTTAWA PLACE
SILVER SPRING, MD 20910
(301) 587-3448 / (301) 588-0008

R. PETROSSIAN ASSOCIATES, LTD.
ENGINEERS CONSULTANTS PLANNERS
1340 OLD CHAM BRIDGE ROAD
MCLEAN, VIRGINIA 22101
(703) 556-0388

Drawing Title
RISER DIAGRAM, SYMBOL LIST AND SCHEDULE

Approved: Area Director
Approved: Cemetery Director

Project Title
SYSTEMS INTEGRATION CENTER

Building Number
Checked
G.O.

Location
**Department of Veterans Affairs
National Cemetery System
Quantico National Cemetery, Triangle, Virginia**

Date
10/10/95

Project No.
872-CM-014

Drawing No.
P-1

Sheet 24 Of 28

NATIONAL CEMETERY SYSTEM

