

RFI FORM

Contractor Name: Amico Corporation

Address:

Phone/Email: 877-683-0248 jelner@amico.com

Send to: harry.seballos@va.gov

RFI (REQUEST FOR INFORMATION)			
PROJECT NO.:	664-14-115	RFI NO.:	018
PROJECT NAME:	Operating Room (OR) and Post-Anesthesia Care Unit (PACU) Upgrades	DATE REQUESTED:	
SOLICITATION NO.:	VA-262-14-B-1569	REFERENCE:	
DRAWING:		SPECIFICATION SECTION:	
DESCRIPTION OF PROBLEM OR INFORMATION BEING REQUESTED			
<p>This RFI is to request that Amico Corporation be considered as an approved equal for the multifunction patient room lights.</p> <p>The current specification is from HSI and Amico meets this specification.</p> <p>Amico would also like to request that our LED version of the multifunction patient room light be considered for this project.</p> <p>Attached is the Spec Sheets for both the LED and Florescent version.</p>			
PROJECT MANAGER'S RESPONSE			
<p>The request to consider Amico as an approved equal for the multi-function patient room lights is approved. The LED version is acceptable as an alternative but the bid shall be based on the lighting shown in the documents. The contractor may substitute an LED component at no additional cost to the government.</p>			
TRACKING NO.:		AMENDMENT NO.:	
VA PROJECT ENGINEER/MANAGER: <i>Michael Merino, RA</i>		DATE: 10-29-14	



Designed to provide you with the many light functions used in a patient room all in one fixture, this Solar Series light comes with up to five lighting functions. Standard functions are Reading, Ambient and Exam. Optional functions are Chart and Night Light. With Patient safety in mind, all of the lamps are fully enclosed to offer protection to the patient. The lenses and reflectors used offer clean, glare-free light for the patient as well as ensuring maximum light output for caregivers to perform their tasks.

Construction Material:

Housing: 20 Gauge CRS. Once piece, seam-welded construction

Lens: Prismatic Acrylic

Finish: White urethane powder coat finish – 5 step treatment; Antimicrobial finish

Light Source: Samsung LED (or equivalent) mounted to linear boards

Drivers: Roal Strato medical grade (or equivalent)

Lamp Shielding:

- Exam: sliding semi-specular parabolic louver and clear prismatic lens.
- Ambient: perforated steel with pearlescent acrylic diffuser.
- Reading: protected by clear shield.

Ingress Barrier:

- 3 mm clear acrylic barrier covers the entire fixture using a piano hinge.
- Door frame secured to the housing and a closed cell neoprene/EPDM/SBR gasket seals the door frame to the housing.

Length: 2' X 4' fits into standard ceiling grid layout.

Weight: 60 lbs

Specifications:

Voltage: 120 - 277 V

Wattage:

- 40 W Florescent equivalent = 117 W
- 50 W Florescent equivalent = 134 W

Light Output:

40 W Equivalent:

- Reading 3,050 lm
- Ambient 5,820 lm
- Exam 11,640 lm
- All 20,510 lm

50 W Equivalent:

- Reading 3,970 lm
- Ambient 8,740 lm
- Exam 15,960 lm
- All 28,670 lm

Dimming: 0-10 and dali options available

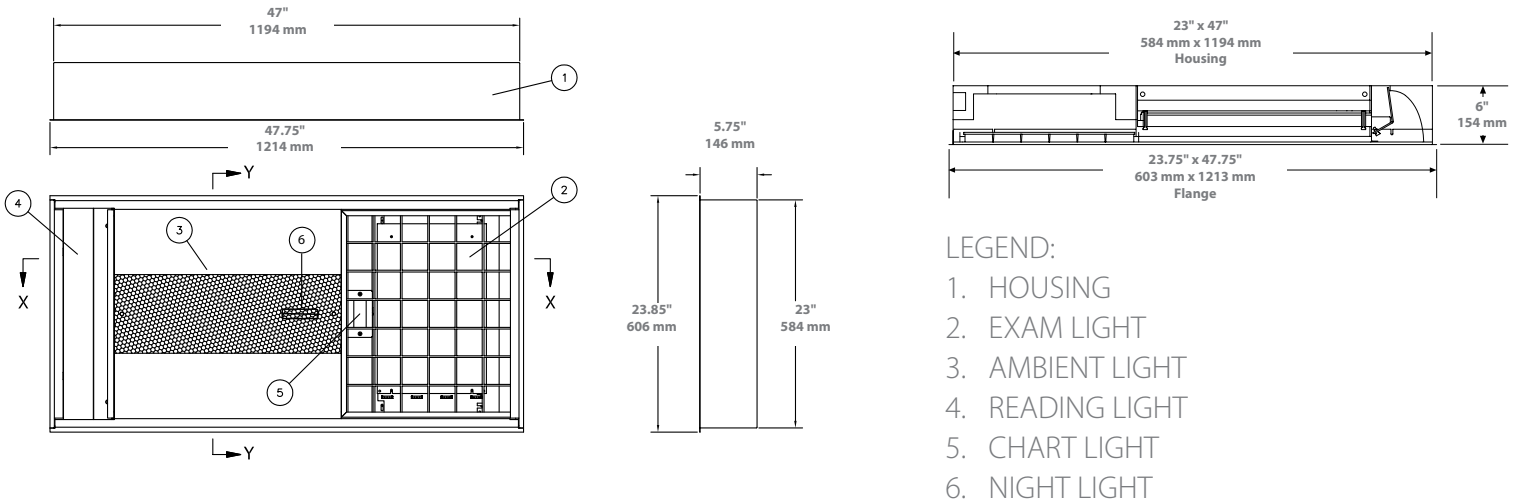
Color Quality: 80 CRI

Color Temperature: 3500K

Life of LEDs: 50,000 hours

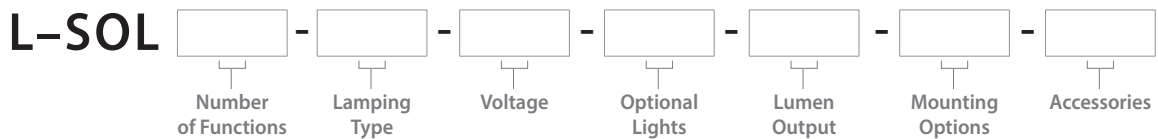
Warranty: 5 years

Dimensions



Series	Number of Functions	Lamping Type	Voltage	Optional Lights	Lumen Output	Mounting Options	Accessories
L-SOL	3 Reading, Ambient, Exam	LED35 3500 Kelvin (Standard)	120-277	C Chart Light	L4W 20,510 Total Lumens	G Grid Tile Ceiling	IB Ingress Barrier
	4 Reading, Ambient, Exam with either Night or Chart Light	LED40 4000 Kelvin (Optional)		N Night Light	L5W 28,670 Total Lumens	S Surface Mount	LV Low Voltage Controller
	5 Reading, Ambient, Exam, Night and Chart Light			B Chart Light, Night Light		F Hard Ceiling (Flange Mount)	Low Voltage Controller and Ingress Barrier
				O No Options			LM LightMaster Relay for Multifunction Keypad
							MB LightMaster Relay and Ingress Barrier

Ordering Guide



For Example: **L-SOL3-LED35-120-B-L5W-G-LV**

Solar Series 3 Functions (Reading, Ambient, Exam), LED 3,500 K, 120 V, Optional Lights (Chart Light, Night Light), 28,670 Total Lumens, Grid Tile Ceiling Mount, Low Voltage Controller



Amico Lights Corporation 85 Fulton Way, Richmond Hill, ON L4B 2N4, Canada 71 East Industry Court, Deer Park, NY 11729, USA

Toll Free Tel: 1.877.462.6426 | Toll Free Fax: 1.866.440.4986 Tel: 905.764.0800 | Fax: 905.764.0862

www.amico.com



Multi-function Ceiling Light

- Multi-function/three compartment patient room luminaire for ambient, exam reading and night light illumination
- Antimicrobial Finish Standard
- Multiple biaxial lamps for maximum efficiency
- Surface or Grid available
- Housing one-piece seam welded
- Exam Light provides illumination of the entire patient area
- Ambient Light provides soft, indirect illumination for the patient and their visitors
- Reading Light provides glare free, non-reflective down illumination to allow the patient to read without disturbing others.



SPECIFICATIONS

HOUSING: Flange and Grid – 20 gauge CRS; Surface – 18 gauge CRS. One-piece seam welded construction. Housing Flange: Flange and Grid – 18 gauge CRS, standard 4-piece construction, spot-welded to housing. Ingress Barrier (IB Option): Mitered and welded corners, spot-welded to housing. Housing Finish: White TGIC polyester powder coat – 5-stage pre-treatment. Salt spray test: 1,000 hours; Reflectance: 92%. Standard antimicrobial finish.

INSIDE FLANGES: 18 gauge CRS; fastened to housing. Black matte TGIC polyester powder coat – 5-stage pre-treatment. Salt spray test: 1,000 hours.

OPTIONAL DOOR: Standard fixture supplied without door. Two optional Ingress Barrier doors available; see Other Options below. Optional door lens frame is heavy-duty extruded marine grade aluminum with clear satin anodized finish. Lens

frame secured to housing with 20-gauge stainless steel continuous hinge, and stainless steel Phillips-head fasteners. Closed cell neoprene /EPDM/SBR gasket seals lens frame to housing.

LAMP SHIELDING: Exam compartment shielded by sliding semi-specular aluminum parabolic louver. Clear protective lamp shield securely fastened above louver (see Ordering Information for alternate Lamp Shield Options). Ambient compartment lamps shielded by perforated steel (white TGIC polyester powder coat finish) with pearlescent acrylic diffuser. Reading compartment lamp protected by clear lamp shield.

Note: Clear protective lamp shields (exam and reading) omitted when IB Option is specified.

ELECTRICAL: Fluorescent electronic 120/277V ballasts high power factor (<10% THD). See Ordering Information for optional equipment. Lamps by others. CL Option field adjustable to either side

of bed. One 20W maximum, 12VAC, MR16, 120 or 277 volts. 8° narrow spot recommended. Exam area NEC compliant with isolated wiring compartment for auxiliary branch circuit feed.

INSTALLATION: Surface Mount: Four .312" diameter holes.

Grid Mount: Designed for 1" grid. Includes hardware to secure hanger wire.

Flange Mount – Mounting yoke brackets (standard): Fixture mounting hardware included.

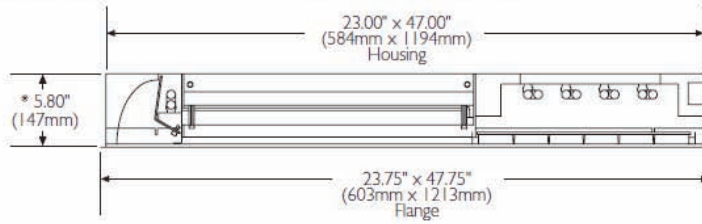
Flange Mount – Install Frame (Accessory): Positively locates yoke brackets within ceiling opening; assures alignment of fixture. No measuring for yoke required; no drywall backing required (included with frame assembly).

LISTINGS: UL and CUL Listed for Damp Location. IB Option UL Classified IP65. Low Voltage Controller (LVC) option Pat. No. D562,767.

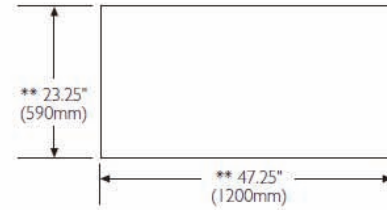
DIMENSIONAL DATA

Cross Section

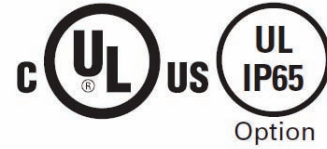
Recommended Ceiling Cutout



* Add .25" to fixture height when Ingress Barrier (IB) Option is specified



** Add .25" to each cut-out dimension when Install Frame (IF) Accessory is specified



Ordering Information

MFL-	-	-	-	-	-	-	-
Mounting Options	Lamp Type		Voltage		Other Options		
S	Surface	40B	F40TT (Biax)	120	120 volts	IB	Ingress Barrier (adds 1/4" height)
G	Grid	50B	F50TT (Biax)	277	277 volts	DLN	LED Night Light w/ Level Control
		55B	F55TT (Biax)			TN	Night Light with 5/7/9 watt PL (lamp supplied by others)
						LVC	Low Voltage Controller

Light Master Multifunction Switch

The Amico LightMaster multifunction switch is designed to improve the day to day experience of caregivers, patients, and visitors alike. With all the advancements in patient room lighting, Amico has made it simple to control the various types of lights required in the patient room. In a single gang space, the LightMaster controls Reading, Ambient, Exam, Night & Chart Lights within one or multiple light fixtures in the patient room.

The LightMaster keypad is designed as a hospital grade low voltage device to ensure that the highest level of safety measures are met. A mylar overlay is used on each keypad for ease of cleaning and durability to minimize infection control issues.



Description:

The LightMaster switching system comes complete with a master control unit and two keypads.

The Master Control Unit is a programmed interface device capable of individual controls of up to five circuit loads. The unit is ultra-compact and requires only two wires from each keypad to control up to five light functions within one or multiple light fixtures.

Micro-Processor Technology allows the LightMaster to communicate between two keypads and the pillow speaker. This high level of intelligence allows you to turn on/off the light at the head of the bed and turn it on/off at the door.

The Reading and Ambient light controlled via the pillow speaker communicates with the LightMaster keypad. It can be turned on/off at any location in the patient room. This system is compatible with all nurse call manufacturers.

LED indicators on keypads in all locations illuminate to show you which light is being used.

Key Features of the Keypad:

- Controls up to 5 light functions in the patient room
- LED indicators identify which light function is in use
- Keypads are low voltage for patient safety
- Compact design fits into a single gang opening
- Mylar Overlay for ease of cleaning and infection control
- Compatible with all manufactured nurse call products
- 5 year warranty

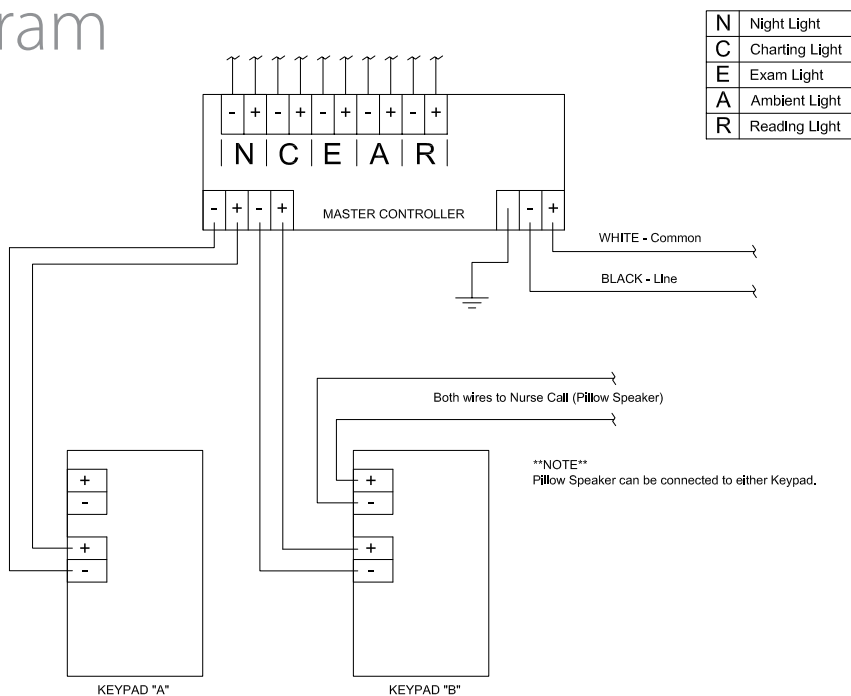
Key Features of the Master Controller:

- Capable of individual control of up to 5 circuit loads
- Universal input voltage of 120 – 277v
- Terminal blocks allow for ease of connection
- Compact design fits inside most light fixtures

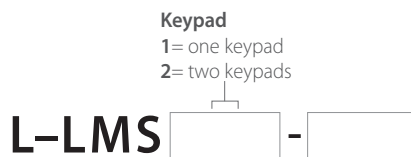
Specifications:

- **Input Voltage:** 120v – 277v 50/60Hz
- **Output Voltage:** 120v – 277v 50/60Hz
- **Maximum Load:** 3 Amps Max per Load
- **Low Voltage Circuit:** 5VDC
- **Operating Temperature:** 32 - 176 °F / 0 - 80°F
- **Master Control Dimensions:** L 5" x W 2" x H 1"
- **Keypad Dimensions:** Single Gang

Wiring Diagram



Configure Your Light Switch



For Example: L-LMS2-4C
LightMaster, Dual Keypad, 4
Function Switch, Reading, Ambient,
Exam, Chart Light

Light Functions

- 3Z** = Three function switch (reading, ambient, exam)
- 4N** = Four function switch (reading, ambient, exam, night)
- 4C** = Four function switch (reading, ambient, exam, chart)
- 5B** = Five function switch (reading, ambient, exam, night & chart)

RFI FORM

Contractor Name: Herman Construction Group

Address: 10366 Roselle Street, Suite A, San Diego, CA 92121

Phone/Email: 858-277-7100 x229 / estimating@hermancg.com

Send to: harry.seballos@va.gov

RFI (REQUEST FOR INFORMATION)			
PROJECT NO.:	664-14-115	RFI NO.:	HCG A- 019
PROJECT NAME:	Operating Room (OR) and Post-Anesthesia Care Unit (PACU) Upgrades	DATE REQUESTED:	10/29/2014
SOLICITATION NO.:	VA-262-14-B-1569	REFERENCE:	
DRAWING:	AE-503	SPECIFICATION SECTION:	

DESCRIPTION OF PROBLEM OR INFORMATION BEING REQUESTED

Please be specific as possible:

Swing Door Operators

1) Are any specific manufacturers and models specified?

2) 13/AE-503 shows Nabco as basis of design, also as pull operator, that would place most of the operator inside the OR. Please confirm whether the operators should mount inside or the the exterior of the ORs. For service and cleanliness I would recommend them to be mounted outside the ORs

PROJECT MANAGER'S RESPONSE

1) Contractor shall provide **new**, NABCO GT 400 and/or 8400 series swing door operator units. Installation shall include all necessary components for a complete installation in accordance with the manufacturer's recommendation.

2) New operators shall be placed in same location as current units to be replaced in accordance to manufacturer's recommendations. If contractor wishes to install operators at new/alternate locations, the government will accept the recommendation as long as the installation if fully complete and operational at no extra cost to the government.

TRACKING NO.:

AMENDMENT NO.:

VA PROJECT ENGINEER/MANAGER: *Michael R. Merino, RA*

DATE: 29 OCT 14

RFI FORM

Contractor Name: Herman Construction Group

Address: 10366 Roselle Street, Suite A, San Diego, CA 92121

Phone/Email: 858-277-7100 x229 / estimating@hermancg.com

Send to: harry.seballos@va.gov

RFI (REQUEST FOR INFORMATION)			
PROJECT NO.:	664-14-115	RFI NO.:	HCG A- 020
PROJECT NAME:	Operating Room (OR) and Post-Anesthesia Care Unit (PACU) Upgrades	DATE REQUESTED:	10/29/2014
SOLICITATION NO.:	VA-262-14-B-1569	REFERENCE:	
DRAWING:		SPECIFICATION SECTION:	

DESCRIPTION OF PROBLEM OR INFORMATION BEING REQUESTED

Please be specific as possible:
Manual Slide 5077-H and 5077-I

- 1) Are any specific manufacturers and models specified?
- 2) Are thresholds absolutely necessary? Note: No threshold option is highly recommended.
- 3) Are the slide doors to be plant on (surface applied onto face of wall) or to be installed within a finished opening (installed within a wall not surface mounted on the face of the wall)? Note: the plans show both ways.

PROJECT MANAGER'S RESPONSE

- 1) Manual Slide Doors shall be equivalent to Stanley Access Technologies Healthcare 7000 Series or approved equal. Installation shall include all necessary components for a complete installation in accordance with the manufacturer's recommendation.
- 2) Contractor **shall provide/include** thresholds as shown/noted.
- 3) The slide doors are to be installed as noted/shown on the interior elevations (which shows one hand surface applied to face of wall and the other hand a finished/cased opening).

TRACKING NO.:

AMENDMENT NO.:

VA PROJECT ENGINEER/MANAGER: *Michael R. Merino, RA*

DATE: 29 OCT 14