

A SECTION AT UNISTRUT FRAMING
SCALE: 3/4"=1'-0"

B SECTION AT UNISTRUT FRAMING
SCALE: 3/4"=1'-0"

C SECTION AT O.R. EQUIP. FRAMING
SCALE: 3/4"=1'-0"

D SECTION AT O.R. EQUIP. FRAMING
SCALE: 3/4"=1'-0"

E SECTION AT UNISTRUT FRAMING
SCALE: 1/12"=1'-0"

F SECTION @ NEW SLAB
SCALE: 1"=1'-0"

G SECTION @ NEW SLAB
SCALE: 1"=1'-0"

H SECTION @ SLAB OPENING
SCALE: 1"=1'-0"

J SECTION @ SLAB OPENING
SCALE: 1"=1'-0"

K TYPICAL BEAM TO BEAM SHEAR TAB CONNECTION
SCALE: 1/12"=1'-0"

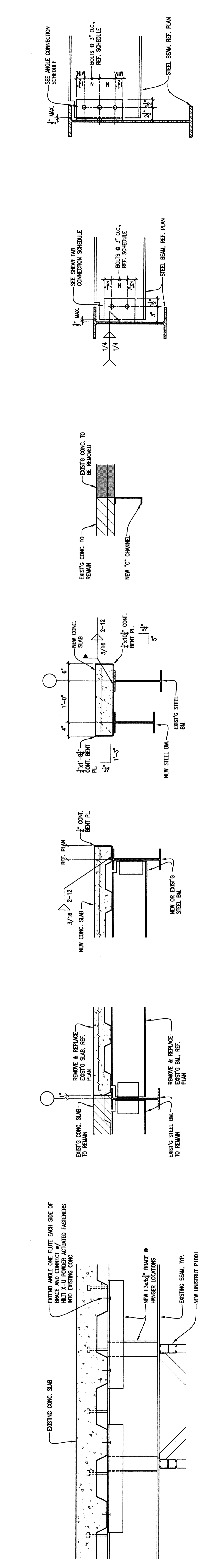
L TYPICAL BEAM TO BEAM ANGLE CONNECTION
SCALE: 1/12"=1'-0"

M TYPICAL BEAM TO BEAM ANGLE CONNECTION
SCALE: 1/12"=1'-0"

N TYPICAL BEAM TO COLUMN CONNECTION
SCALE: 1/12"=1'-0"

P SECTION @ EQUIPMENT PAD
SCALE: 3/4"=1'-0"

Q SECTION @ ELEVATOR PIT DRAIN
SCALE: NO SCALE



E SECTION AT UNISTRUT FRAMING
SCALE: 1/12"=1'-0"

F SECTION @ NEW SLAB
SCALE: 1"=1'-0"

G SECTION @ NEW SLAB
SCALE: 1"=1'-0"

H SECTION @ SLAB OPENING
SCALE: 1"=1'-0"

J SECTION @ SLAB OPENING
SCALE: 1"=1'-0"

K TYPICAL BEAM TO BEAM SHEAR TAB CONNECTION
SCALE: 1/12"=1'-0"

L TYPICAL BEAM TO BEAM ANGLE CONNECTION
SCALE: 1/12"=1'-0"

M TYPICAL BEAM TO BEAM ANGLE CONNECTION
SCALE: 1/12"=1'-0"

N TYPICAL BEAM TO COLUMN CONNECTION
SCALE: 1/12"=1'-0"

P SECTION @ EQUIPMENT PAD
SCALE: 3/4"=1'-0"

Q SECTION @ ELEVATOR PIT DRAIN
SCALE: NO SCALE

GENERAL STRUCTURAL NOTES

CONCRETE

- CONCRETE TO HAVE A MINIMUM COMPRESSIVE STRENGTH OF 4000 LBS./SQ. INCH AT END OF 28 DAYS
- PROVIDE 6 X 6" W1.4 X W1.4 WELDED WIRE FABRIC FOR ALL CONCRETE SLABS UNLESS OTHERWISE NOTED. PLACE WIRE MESH IN UPPER 1/3 OF CONCRETE SLAB.

STEEL

- STRUCTURAL STEEL TO MEET A.S.T.M. SPECIFICATION A-992, LATEST REVISION.
- ALL COLUMN TO BEAM AND BEAM TO BEAM CONNECTIONS TO BE ERECTED WITH A.S.T.M. A-325 HIGH STRENGTH BOLTS. ALL OTHER CONNECTIONS MAY BE ERECTED WITH STANDARD MACHINE BOLTS.
- 10' UNLESS OTHERWISE NOTED.

MISCELLANEOUS

- CONTRACTOR TO VERIFY ALL EXISTING BUILDING DIMENSIONS.
- SEE MECHANICAL DRAWINGS FOR EXACT DIMENSIONS OF MECHANICAL OPENINGS AND EQUIPMENT.

DESIGN & ANALYSIS CRITERIA

BC 2006 &/OR ASCE 7

LIVE LOAD -

- LOBBIES & CORRIDORS = 100 PSF
- ELEVATOR MACHINE ROOM = 150 PSF
- MECHANICAL FENTHOUSE = 150 PSF
- MECHANICAL EQUIPMENT ROOM = 200 PSF
- PARTITION ALLOWANCE = 20 PSF
- PATIENT (WARD) ROOMS = 40 PSF

ROOF SNOW LOAD -

- $S_g = 10$ PSF
- $S_f = 1.0$
- $C_e = 1.0$
- $C_d = 1.0$
- $C_t = 1.0$
- $C_{pe} = 1.0$

TERRAIN CATEGORY = C

WIND LOAD -

- V = 90 mph
- C = 0.8
- $I_e = 1.15$
- $G_C P = E 0.18$

SEISMIC -

- $T_e = 1.5$
- $S_s = 0.336g$
- $S_1 = 0.074g$
- SOIL CLASS C
- $S_{D1} = 0.08g$
- $S_{D2} = 0.08g$
- DESIGN CATEGORY = C

ANGLE CONNECTION SCHEDULE, REF. DTL "L"		SHEAR TAB CONNECTION SCHEDULE, REF. DTL "K"				
BEAM SIZE	QUANTITY OF BOLTS (N)	TYPE OF BOLT	SIZE OF BOLT	ANGLE SIZE	SIZE OF SHEAR TAB WELD SIZE (W)	THICKNESS
W14x22	9	A325-N	3/4"	L4x4x1/4"	3/8"	5/16"
W14x50	12	A325-N	3/4"	L4x4x1/4"	3/8"	5/16"
W14x55	12	A325-N	3/4"	L4x4x1/4"	3/8"	5/16"

ARCHITECTS & INTERIORS
MEDICAL ARCHITECTURE
 Medical Architecture & Interior Design
 1401 South Denver, Ste C
 Tulsa, Oklahoma 74119
 Phone: 581.700 Fax: 581.704

MEP ENGRS
AEB
 ALBER ENGINEERING GROUP, LLC
 401 SOUTH DENVER STREET, SUITE A, TULSA, OK 74119
 OK 4813

STRUCTURAL
SDVOSB
 SDVOSB ENGINEERING INC.
 STRUCTURAL CONSULTANTS
 TULSA, OKLAHOMA 74133
 401 SOUTH DENVER STREET, SUITE A, TULSA, OK 74119
 OK 4813

STAFF REVIEWERS NAME, TITLE & SIGNATURE

TITLE	NAME	SIGNATURE
MEDICAL CENTER DIRECTOR		
ASSOCIATE DIRECTOR		
ASSOCIATE DIRECTOR PATIENT CARE SERVICE		
ASSOCIATE DIRECTOR		
CHEF OF STAFF		
CHEF ENGINEERING SERVICE		
CHEF PROJECT SECTION		
CHEF OF SURGERY		

REVISIONS:

Revision	Description	Date
1		
2		
3		
4		
5		
6		
7		
8		
9		
10		
11		
12		
13		
14		
15		

Drawing Title: **RENOVATION & EXPANSION OF THE OPERATORY SUITE**

Drawing Number: **S200** OF 2

Location: OKLAHOMA CITY VIA MEDICAL CENTER, 971 N. 108 STREET, OKLAHOMA CITY, OKLAHOMA 73104

Date: 14 APRIL 2014

Checked: [] Drawn: []

Project Number: 120998
 Building Number: []
 Drawing Number: S200 OF 2

Office of Construction and Facilities Management
 Department of Veterans Affairs