

REFLECTED CEILING NOTES

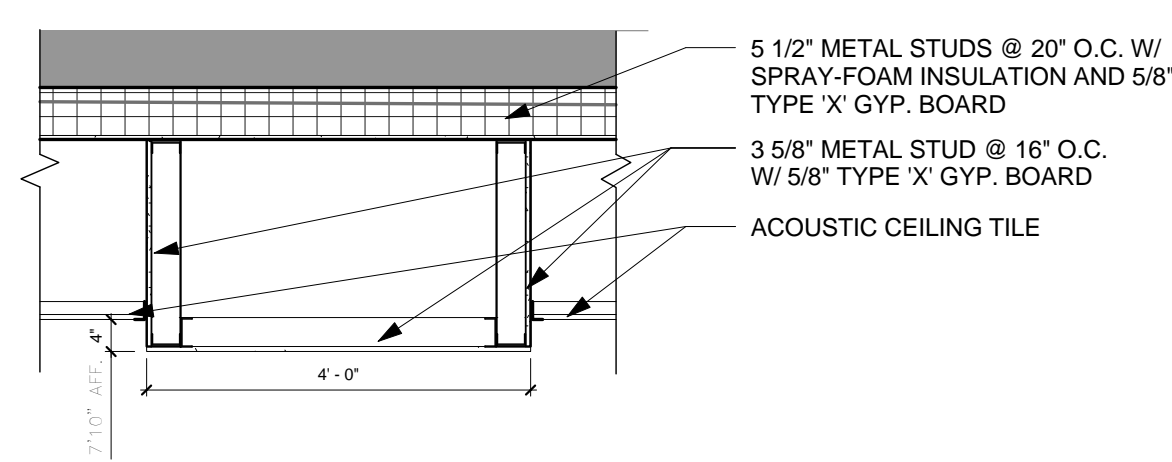
- A. ALL ACOUSTICAL CEILING TILE CEILINGS TO BE 8'-2" A.F.F. UNLESS NOTED OTHERWISE
- B. REFER TO REFLECTED CEILING PLAN FOR ADDITIONAL NOTES AND CEILING INFORMATION.
- C. PROVIDE CONTROL JOINTS IN PLASTER & GYPSUM BOARD CEILINGS AND BULKHEADS WHERE RECOMMENDED/REQUIRED BY MANUFACTURERS OR INDUSTRY STANDARDS, OR WHERE INDICATED. COORDINATE LOCATION WITH ARCHITECT.
- D. ALL CEILING HEIGHTS ARE FROM FINISHED FLOOR.
- E. INSTALL SUSPENDED CEILING GRID WITH EQUAL SIZE PANELS AT EACH SIDE OR END OF THE INDIVIDUAL CEILING AREA UNLESS OTHERWISE INDICATED. NO PANEL SHALL BE LESS THAN 4" WIDE.
- F. THE ARCHITECTURAL REFLECTED CEILING PLAN SHALL GOVERN THE LAYOUT OF ALL CEILING ELEMENTS AND/OR PENETRATIONS. COORDINATE ANY FIELD VERIFIED OR AS-BUILT CONDITIONS THAT DIFFER FROM WHAT IS SHOWN ON THESE PLANS WITH THE ARCHITECT.
- G. SIZES AND SHAPES OF LIGHTING FIXTURES AND OTHER MISCELLANEOUS ELECTRICAL EQUIPMENT (IF SHOWN) ARE FOR REFERENCE ONLY. COORDINATE ACTUAL SIZES AND TYPES WITH THE ELECTRICAL DRAWINGS/ENGINEER.
- H. COORDINATE CLEARANCES WITH M.E.P. DRAWINGS. NOTIFY ARCHITECT OF ALL CONFLICTS PRIOR TO CONSTRUCTION.
- J. SIZES OF MECHANICAL EQUIPMENT (IF SHOWN) ARE FOR REFERENCE ONLY. COORDINATE ACTUAL SIZES AND TYPES WITH MECHANICAL DRAWINGS/ENGINEER.
- K. ALL CEILING MOUNTED ITEMS (SPRINKLER HEADS, MOUNTING MECHANISMS, ETC.) SHALL BE CENTERED IN THE CEILING PANELS UNLESS OTHERWISE NOTED/INDICATED.

REFLECTED CEILING PLAN KEY NOTES

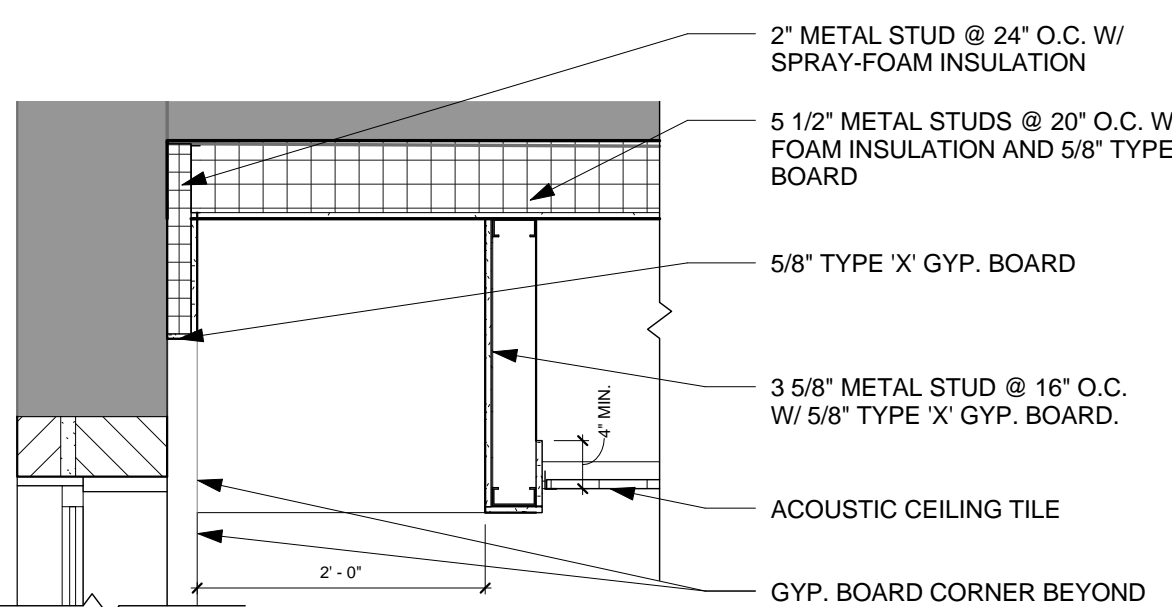
- C.1 NOT USED
- C.2 PAINT ALL GYP BOARD CEILINGS P-6, PAINT VERTICAL BULKHEAD SURFACES P-1. SEE FINISH LEGEND.
- C.3 PAINT ALL EXPOSED FIREPROTECTION AND PLUMBING PIPES, HANGERS AND SUPPORTS P-3, SEE FINISH LEGEND
- C.4 EXTEND WALL TO DECK, PROVIDE FLEX TRACK AND SEALANT.
- C.5 PAINT ALL EXPOSED ALL DUCTS, MECHANICAL UNITS, DAMPERS ETC. P-4, SEE FINISH LEGEND.
- C.6 PAINT ALL EXPOSED STRUCTUR, CONDUIT AND OTHER EQUIPMENT P-5, SEE FINISH LEGEND.

REFLECTED CEILING PLAN LEGEND

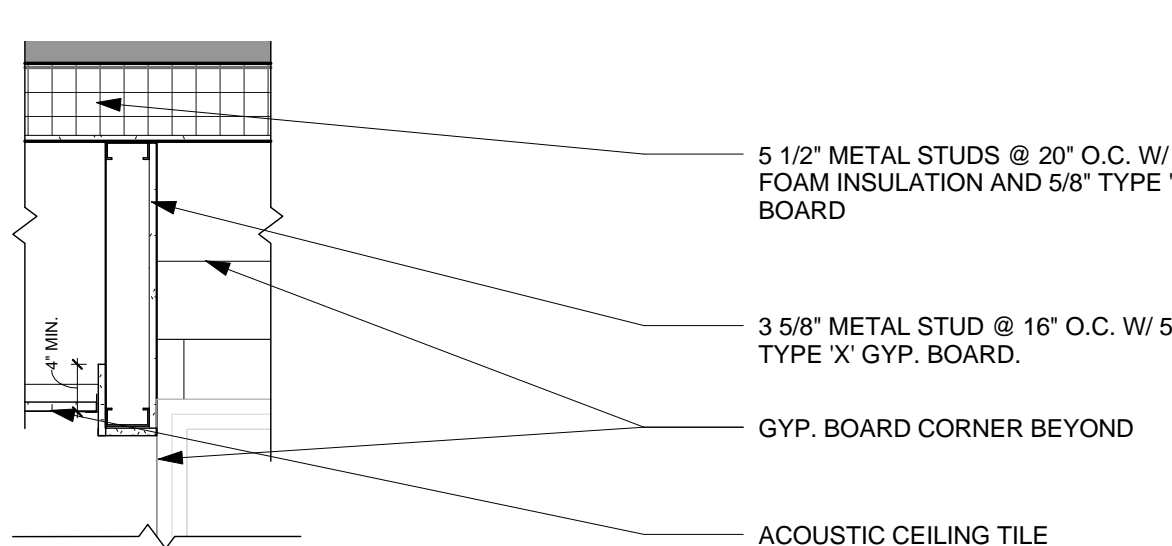
A		GYPSUM BOARD, PAINTED
B		2x4 SUSPENDED ACOUSTICAL CEILING TILE AND GRID SYSTEM
C		2x2 SUSPENDED ACOUSTICAL CEILING TILE AND GRID SYSTEM
D		EXPOSED STRUCTURAL DECK ABOVE
		LIGHT FIXTURES AND DIFFUSERS
<p>CEILING TYPE</p> <p>CEILING TAG</p> <p>CEILING HEIGHT ABOVE FIN.FLR. AT LOWER LEVEL</p>		



6 DROPPED BULKHEAD
1/2" = 1'-0"

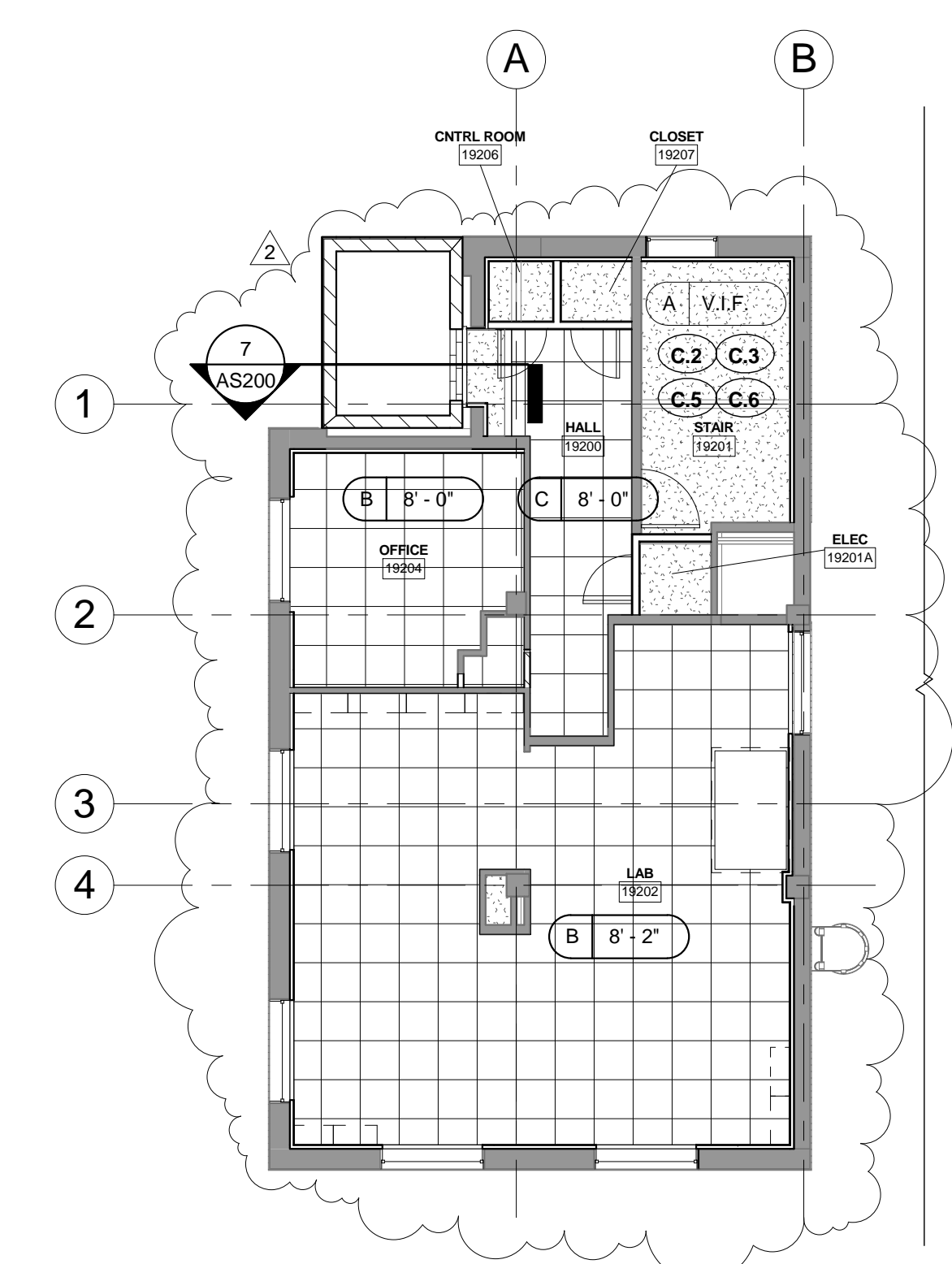


5 LIGHTWELL SECTION, TYP
3/4" = 1'-0"

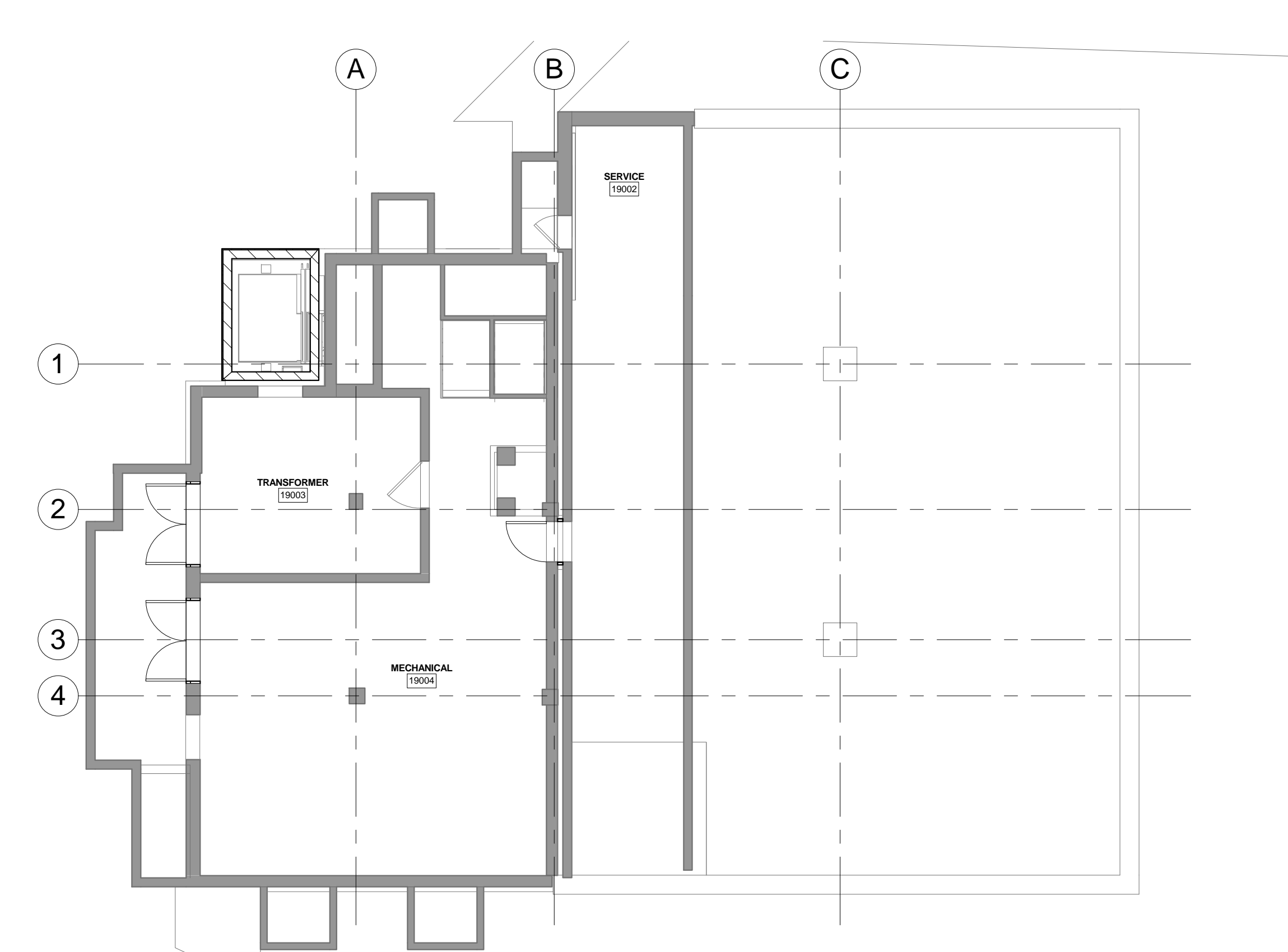


8 HALLWAY BULKHEAD
1/2" = 1'-0"

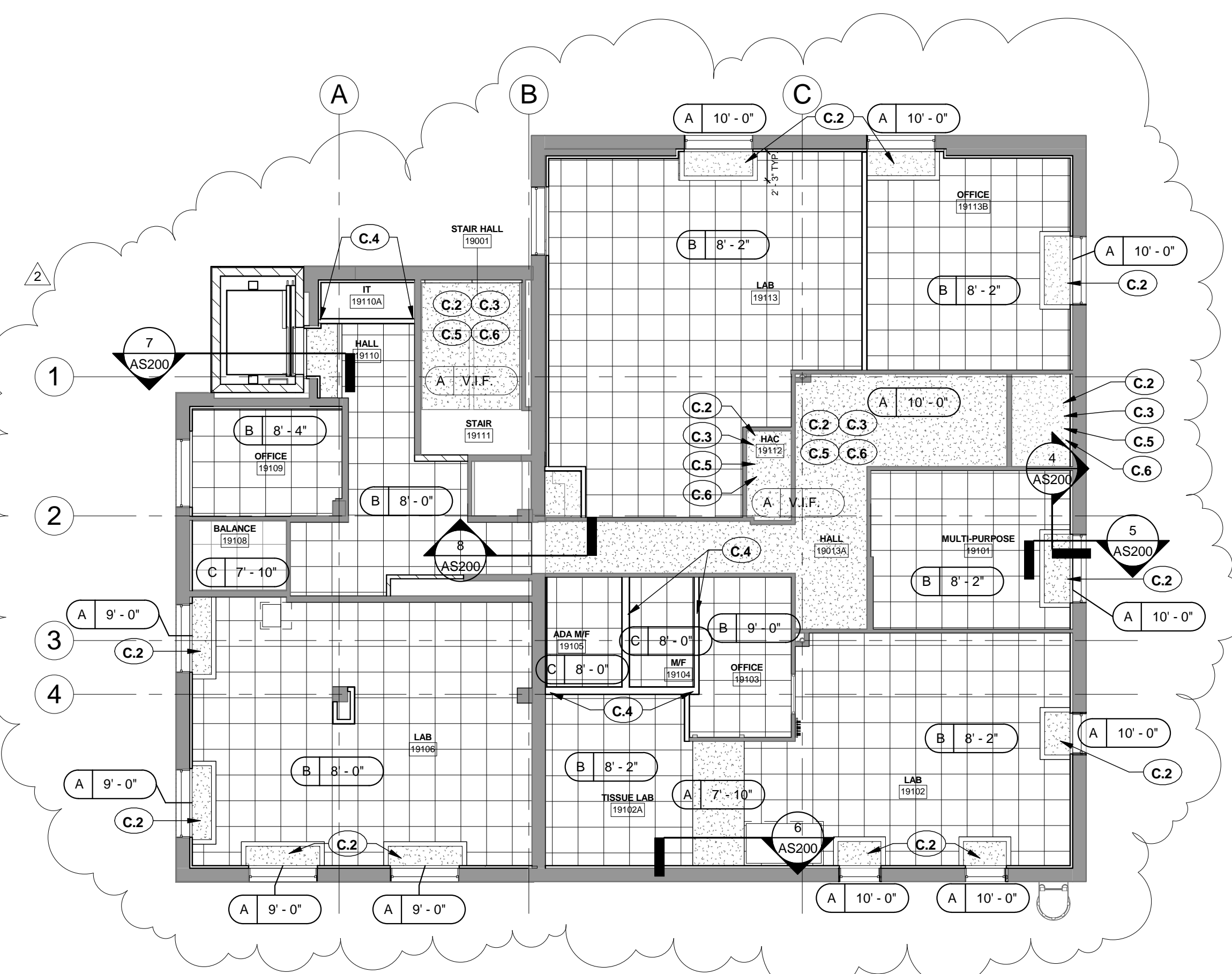
4 LIGHTWELL SIDE SECTION, TYP
3/4" = 1'-0"



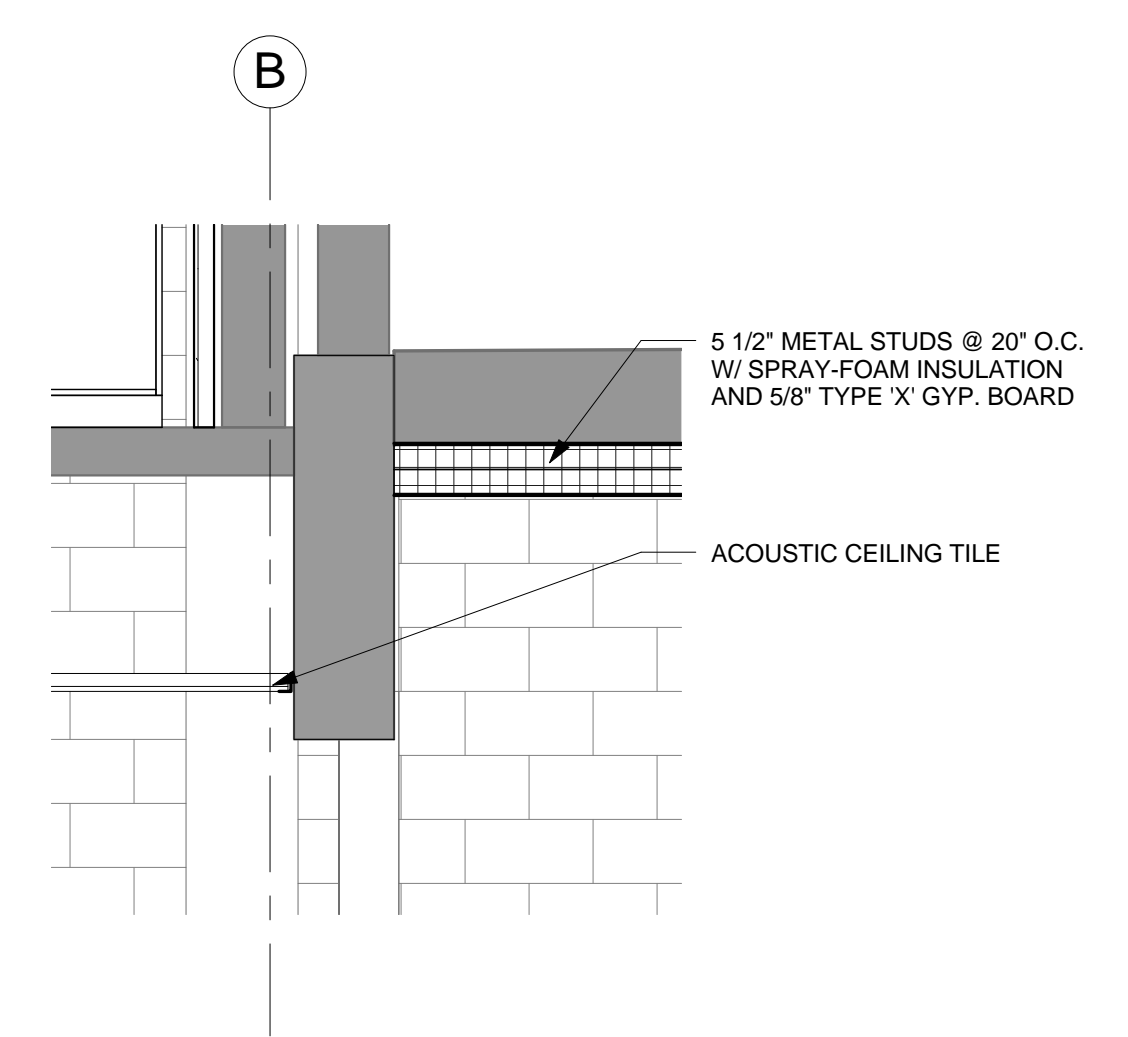
2 2ND FLOOR REFLECTED CEILING PLAN
1/8" = 1'-0"



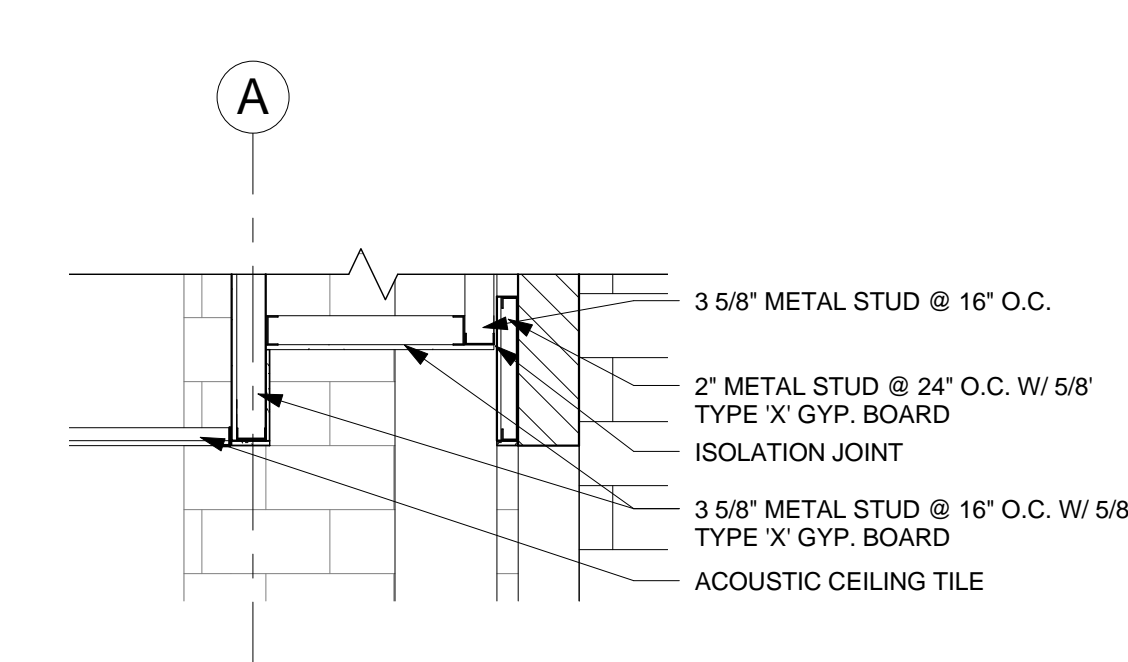
3 BASEMENT REFLECTED CEILING PLAN
1/8" = 1'-0"



1 1ST FLOOR REFLECTED CEILING PLAN
1/8" = 1'-0"



7 ELEVATOR BULKHEAD
1/2" = 1'-0"



7 ELEVATOR BULKHEAD
1/2" = 1'-0"

FULLY SPRINKLERED

FOR BID

<p>2 Revision: CASEWORK DEMO/SALVAGE. 11-10-2014</p>	<p>ROBLEY REX VAMC System 800 Zorn Ave. Louisville, KY 40206</p>	<p>MEP / HVAC DESIGN</p> <p>BCCLT, Inc. www.BCCLT.com</p> <p>Site Civil, MEP Engineers 9100 Markfield Road Suite 200 Louisville, KY 40222 T: 502-708-1860</p>	<p>BCCLT Brigi, Chance, Cummins, London, Titzer</p>	<p>PROJECT LEADER/ARCHITECT:</p> <p>GUIDON DESIGN</p> <p>2453 N. DELAWARE ST. INDIANAPOLIS, IN. 46205 317.800.6388 WWW.GUIDONDESIGN.COM SUSTAINABLE ARCHITECTURE + ENGINEERING</p>	<p>Drawing Title</p> <p>REFLECTED CEILING PLANS</p>	<p>Project Title</p> <p>RENOVATE RESEARCH BUILDING 19 - T661</p>	<p>Project Number</p> <p>12.1004</p>	<p>OFFICE OF FACILITIES MANAGEMENT</p>
					<p>Approved: Project Director</p> <p>Anthony C. Costanzo anthony.costanzo@va.gov 502-287-4222</p>	<p>Location</p> <p>ROBLEY REX VAMC</p>	<p>Drawing Number</p> <p>AS200</p>	<p>VA Project Number</p> <p>603-12-601 - T661</p>
<p>Revisions:</p>	<p>Date</p>	<p>www.jraarchitects.com</p>	<p>JRA architects</p>	<p>2453 N. DELAWARE ST. INDIANAPOLIS, IN. 46205 317.800.6388 WWW.GUIDONDESIGN.COM SUSTAINABLE ARCHITECTURE + ENGINEERING</p>	<p>Date</p> <p>8/17/2012</p>	<p>Checked By:</p> <p>LJL</p>	<p>Drawn By:</p> <p>STW</p>	<p>Department of Veterans Affairs</p>