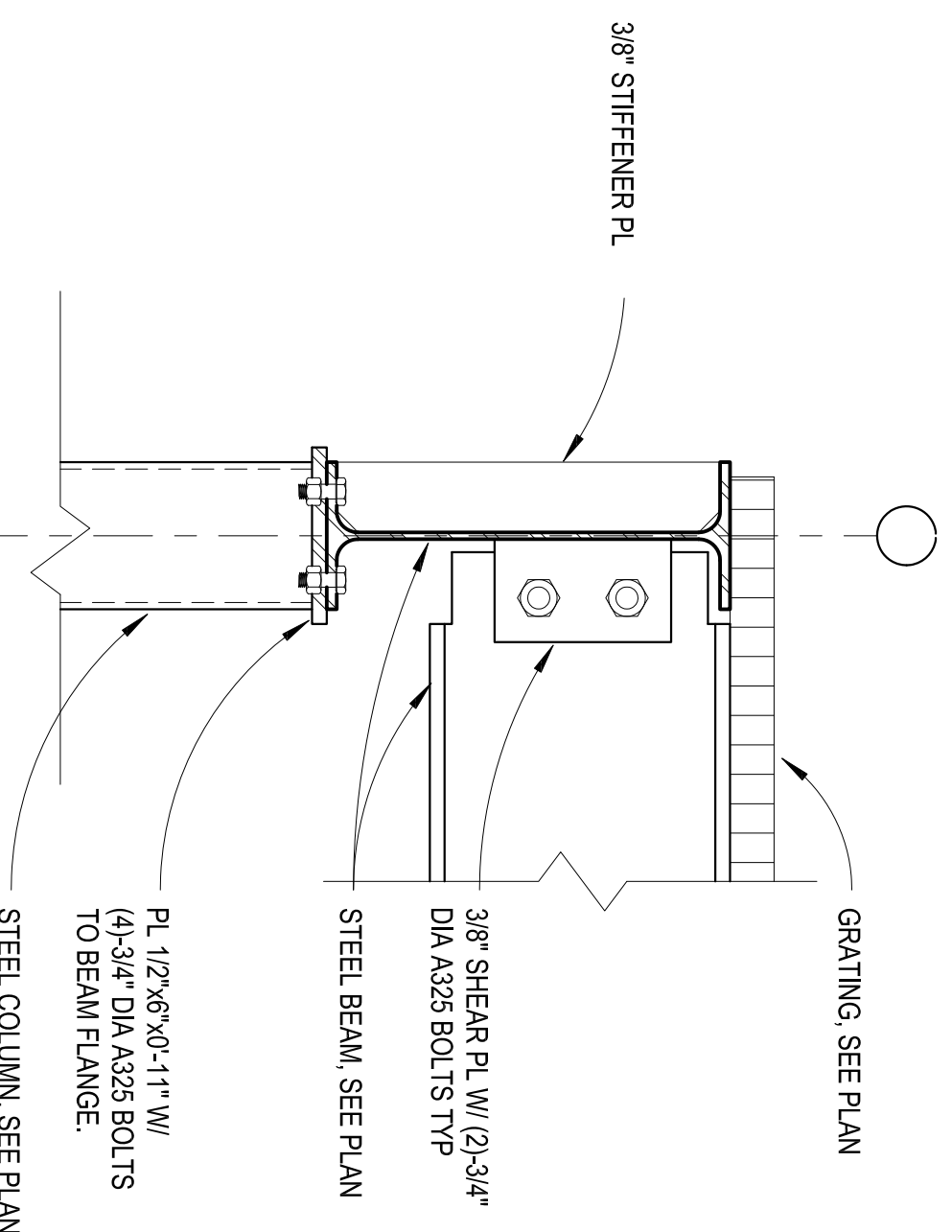


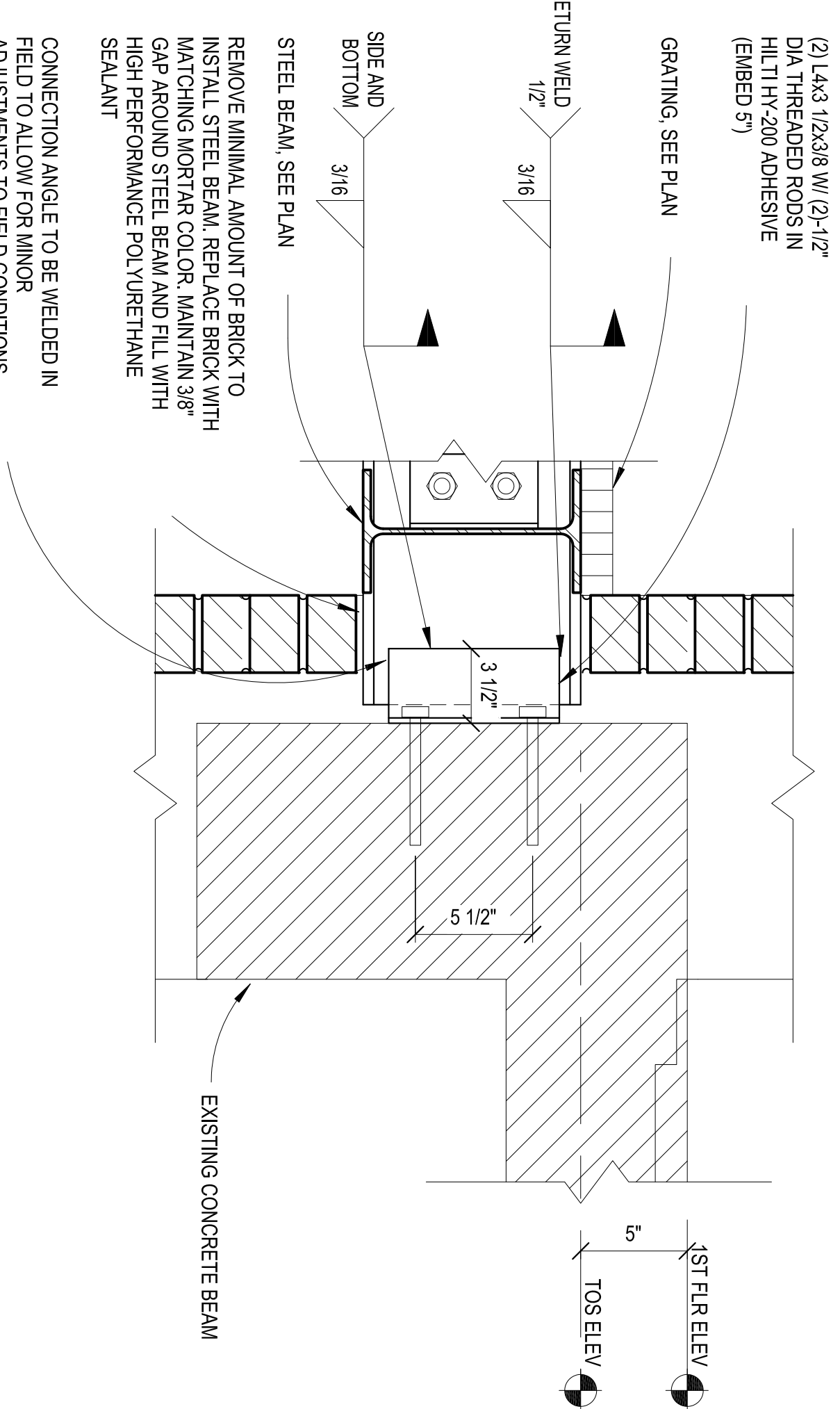
**GENERAL NOTES:**

- EQUIPMENT SUPPLIER WILL PROVIDE STRUCTURAL STEEL (MATERIAL ONLY) ON THESE DOCUMENTS.
- GENERAL CONTRACTOR WILL ERECT STRUCTURAL STEEL AND IS RESPONSIBLE FOR ALL OTHER WORK AND COORDINATING THE WORK WITH EQUIPMENT SUPPLIER AND THE VA.
- EQUIPMENT SUPPLIER WILL PROVIDE AND SET REEFER UNIT AND MAKE ALL UTILITY CONNECTIONS. GENERAL CONTRACTOR SHALL BRING ALL UTILITY CONNECTIONS WITHIN 5 FEET OF POINT OF CONNECTION.

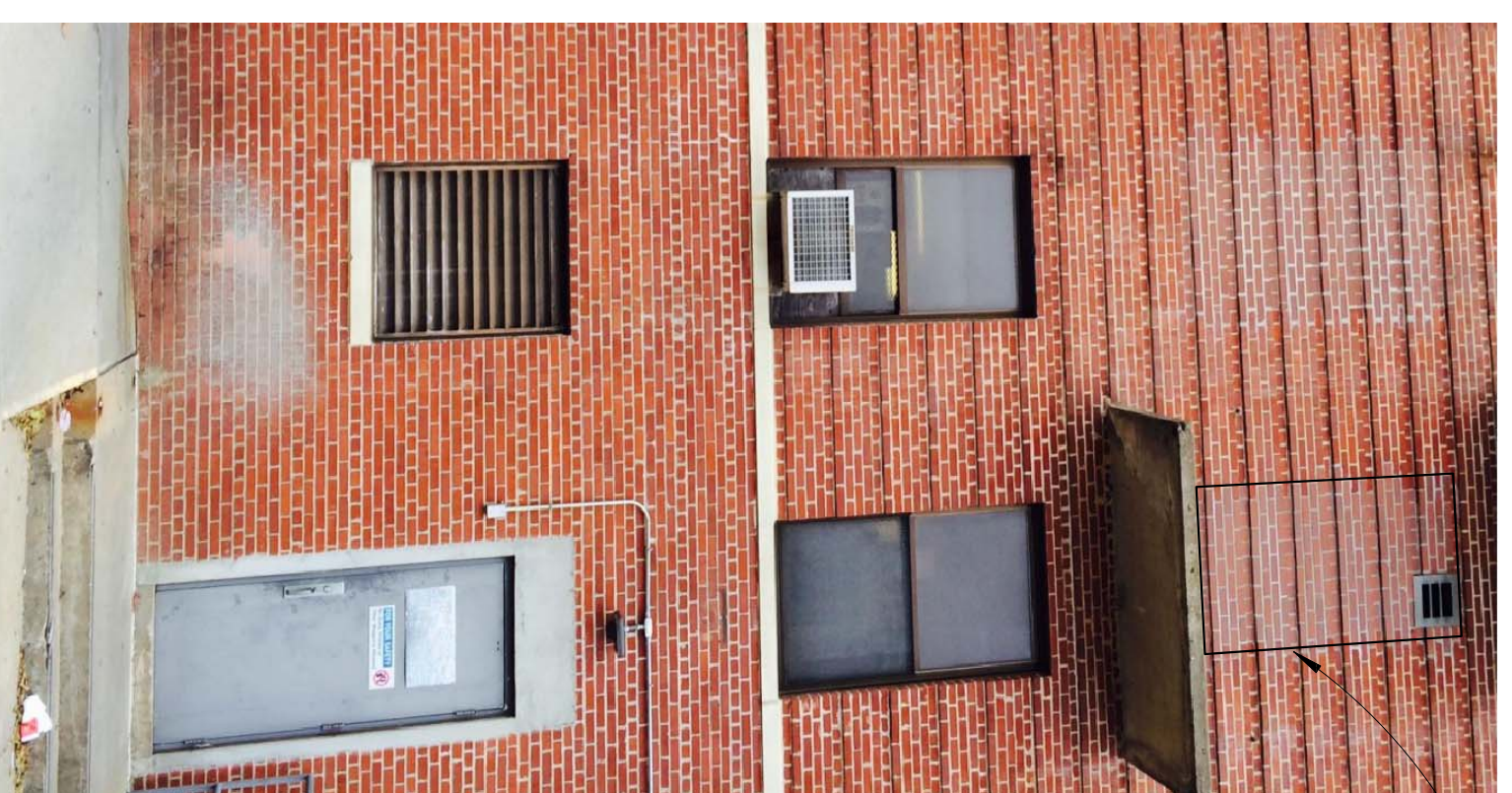
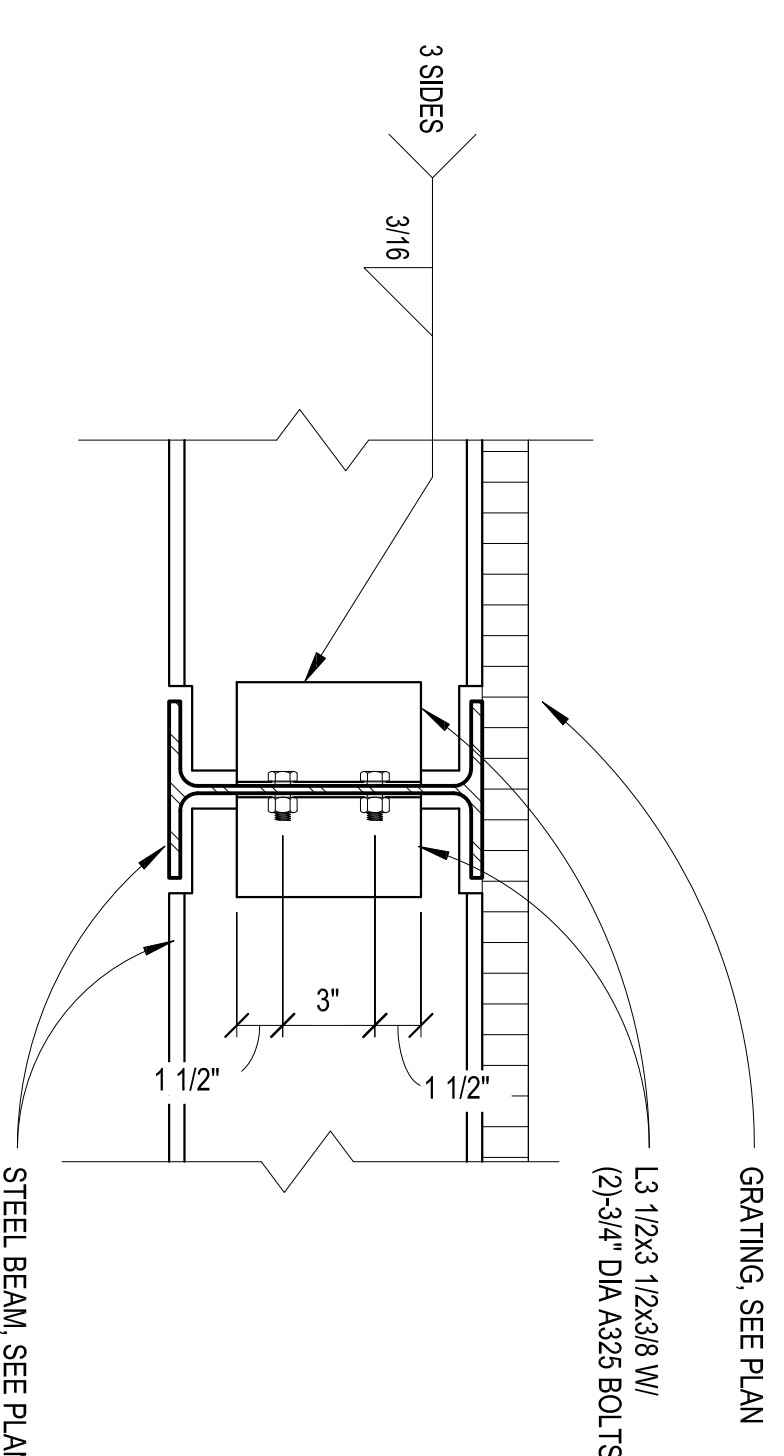


**8 SECTION**  
1 1/2" = 1'-0"

**7 SECTION**  
1 1/2" = 1'-0"

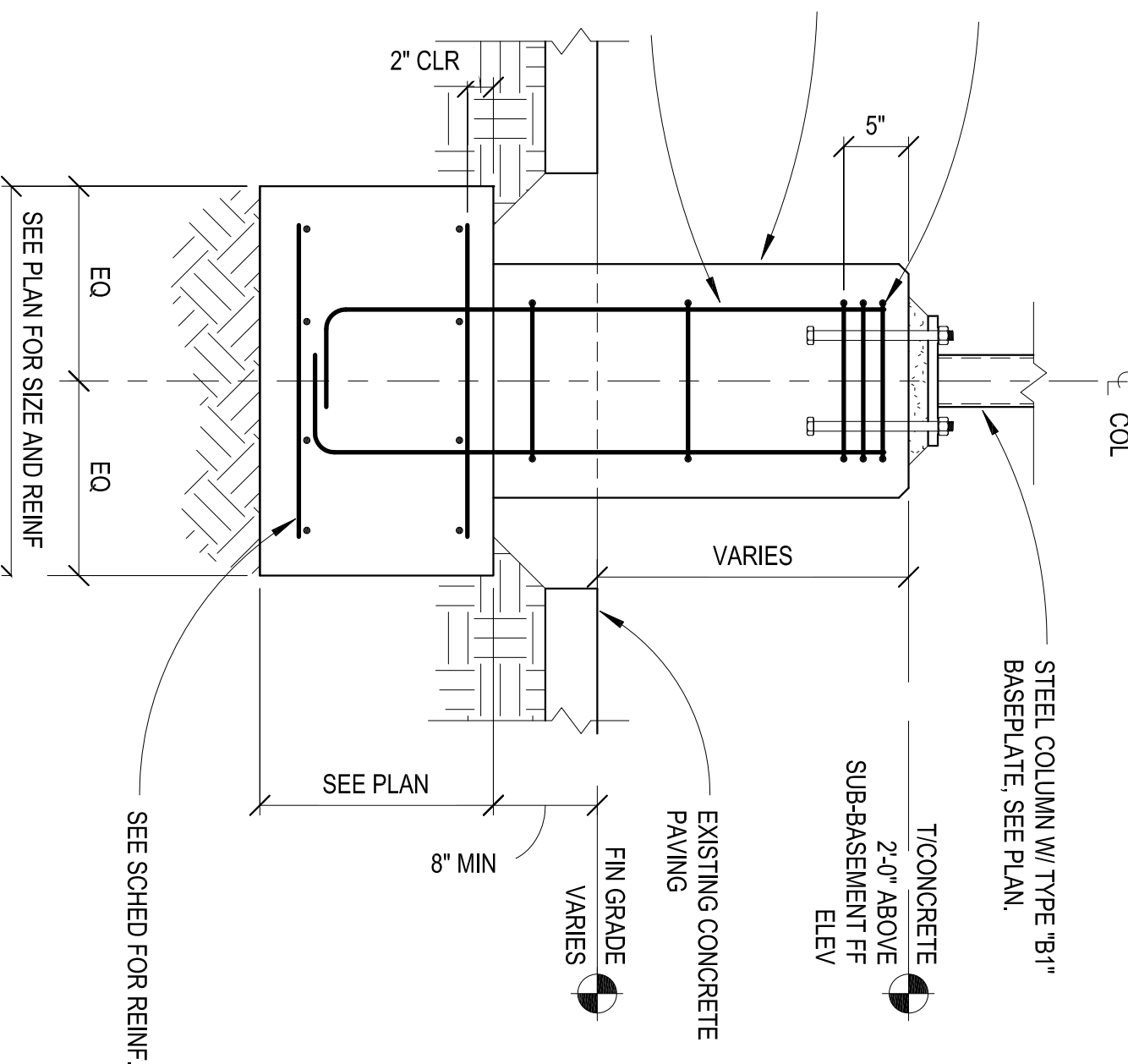


**6 SECTION**  
1 1/2" = 1'-0"



NEW OPENING IN EXTERIOR WALL TO BE SET FOR OPENING DETAILS

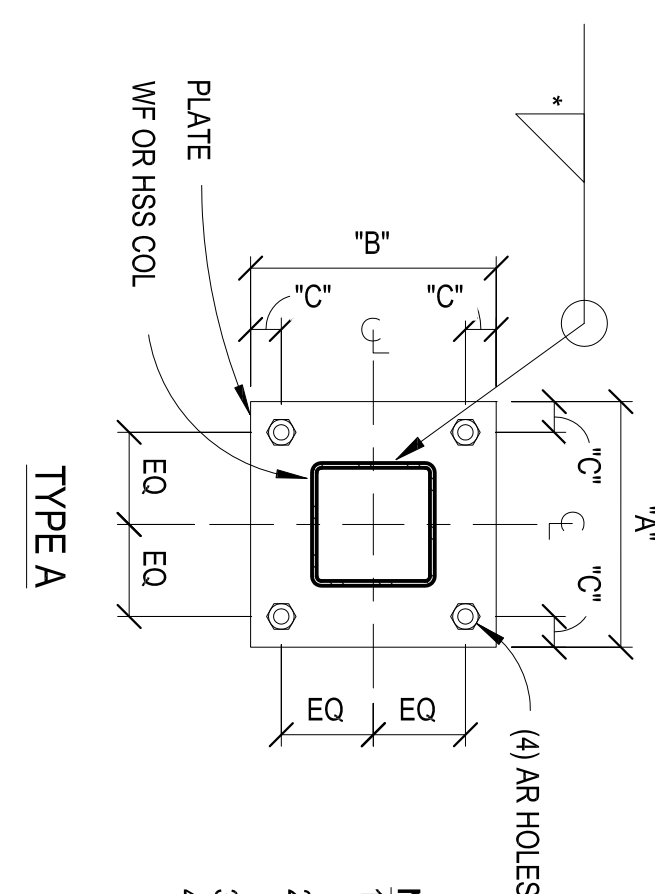
EXISTING BALCONY AT 1ST FLOOR TO BE REMOVED. SAVE CUT AREA OF 1/2\"/>



**5 FOOTING DETAIL**  
3/4" = 1'-0"

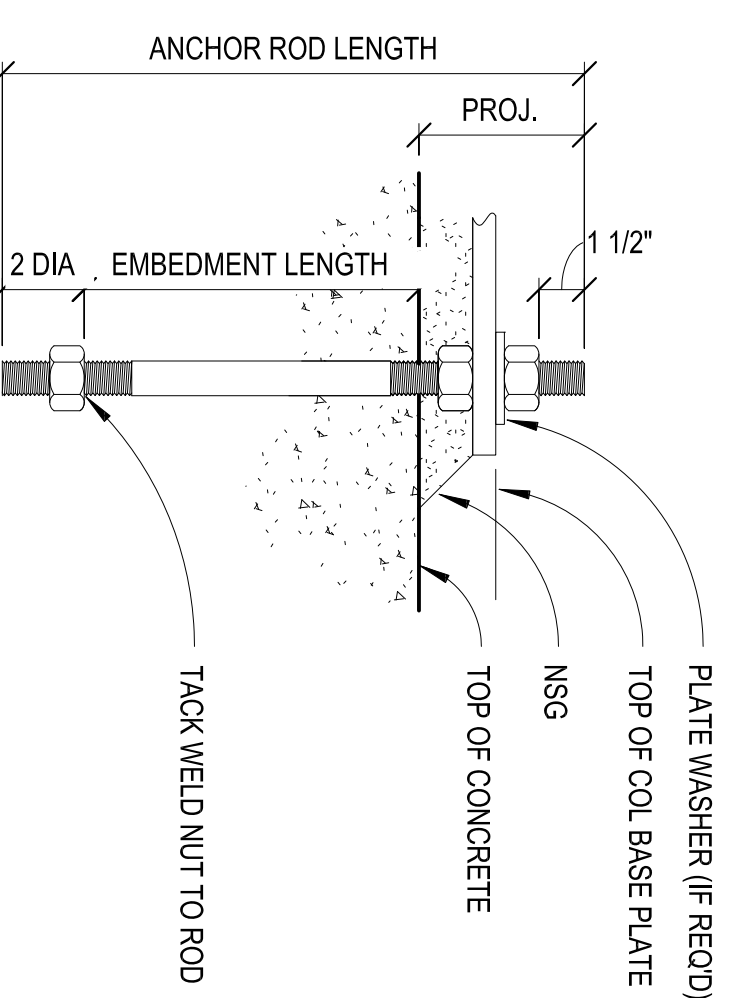
**4 COLUMN BASE PLATE SCHEDULE**  
NO SCALE

COLUMN BASE PLATE SCHEDULE				
MARK	TYPE	PLATE THK	DIMENSIONS	ANCHOR RODS (DIA X EMBED)
B1	A	3/4"	1'-0" x 1'-0"	3/4" x 1'-0"



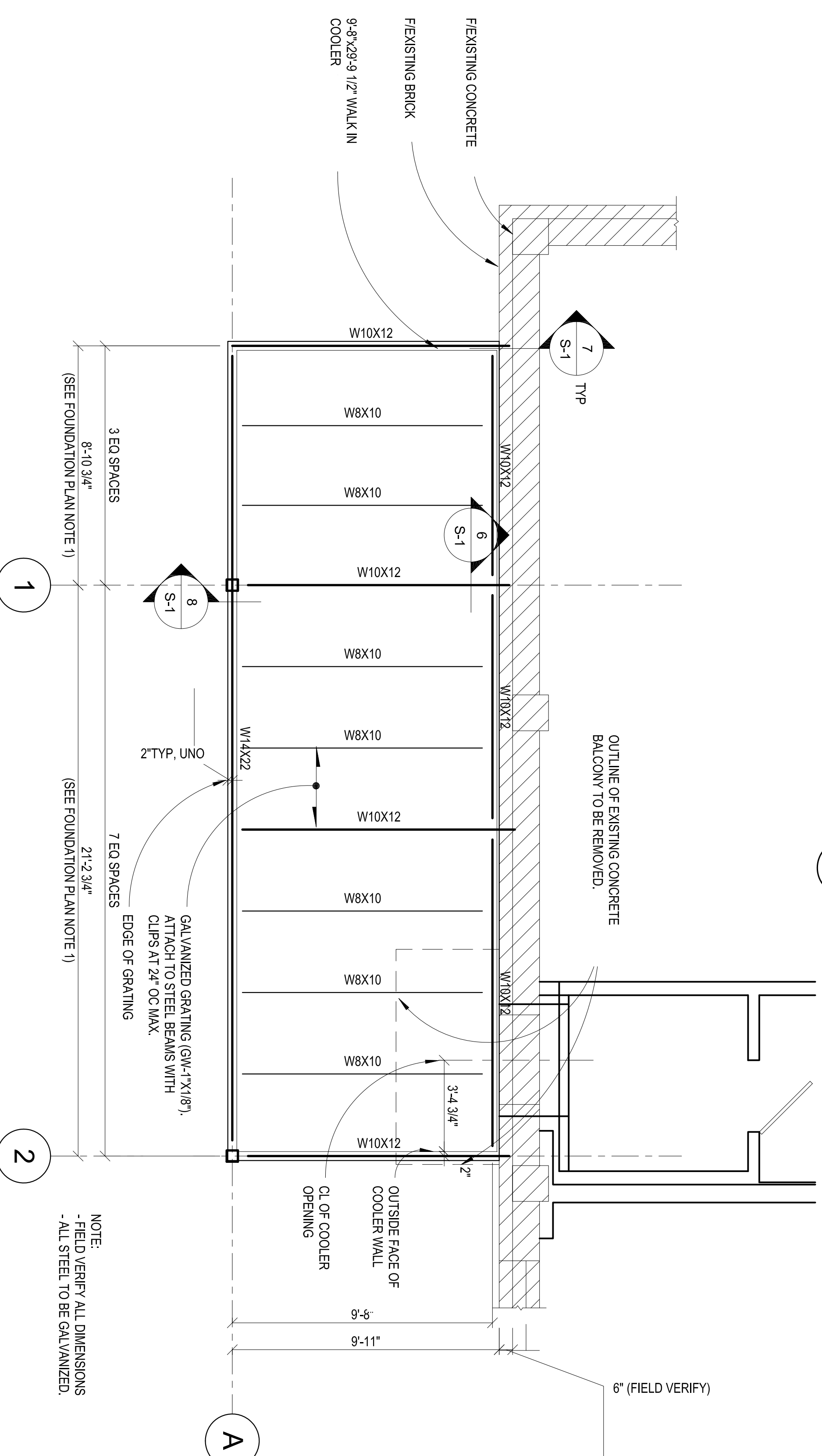
- NOTES:**
- USE SCHEDULED HESLS AND WASERS FOR ANCHORS RODS
  - SEE ANCHOR ROD DETAIL THIS SHEET FOR ANCHOR ROD AND GROUT INFORMATION
  - INDICATES MINIMUM RILET FIELD PER ASS. (REFERENCED TO ACCEPT DIAGONAL BRACE. SEE BRACED FRAME ELEVATION SHEETS)

ANCHOR ROD SCHEDULE		
DIA	NSG	EMBED
< 3/4"	1 1/2"	2'
> 1"		

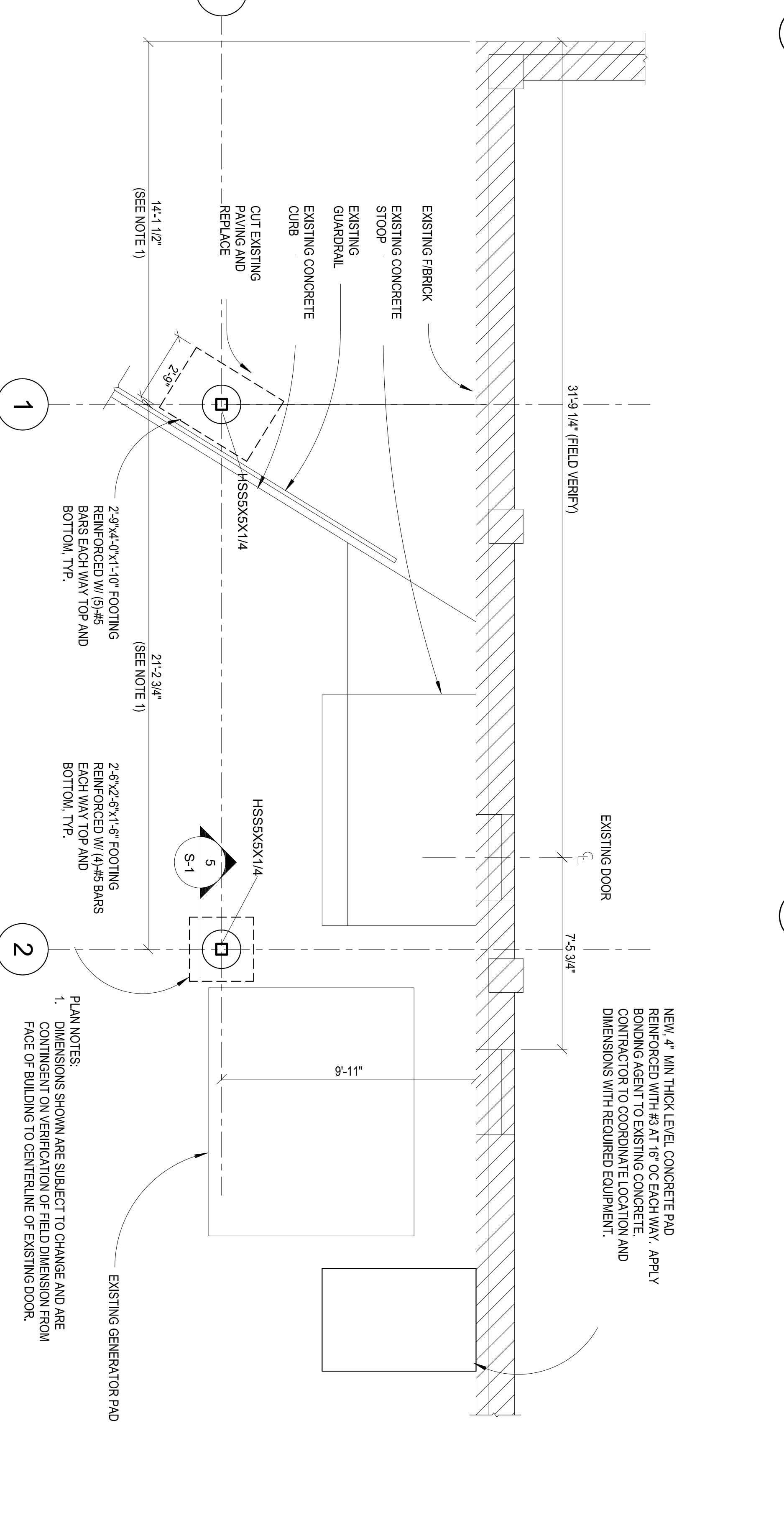


- NOTES:**
- REFER TO BASE PLATE SCHEDULE FOR ANCHOR ROD SIZE AND EMBEDMENT.
  - ANCHOR RODS SHALL MEET THE REQUIREMENTS OF ASTM F1554 UNLESS NOTED OTHERWISE.
  - ALL ANCHOR RODS SHALL BE FINISHED WITH HEAVY HEX NUTS AND COIL WASHERS OF 60000 PSI MINIMUM TENSILE STRENGTH. OTHER FINISHES SHALL BE NOTED OTHERWISE.
  - FOR CONVENTIONAL COLUMNS (W/F AND HSS SHAPES) A NUT SHALL BE PLACED WITH THE BASE PLATE AND USED FOR LEVELING.
  - HEXED BOLTS SHALL BE SUBSTITUTED FOR RODS AS SHOWN.

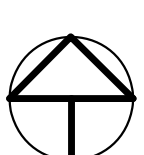
**3 ANCHOR ROD DETAIL**  
NO SCALE



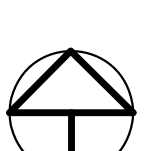
**9 SECTION**  
1 1/2" = 1'-0"



**2 FRAMING PLAN**  
1/4" = 1'-0"



**1 FOUNDATION PLAN**  
1/4" = 1'-0"



	Dept. of Veterans Affairs Medical Center 1011 Honor Heights Drive Muskogee, OK 74401	APPROVED: Medical Center Director APPROVED: Assoc. Medical Center Director APPROVED: Chief of Staff APPROVED: Chief Engineering	APPROVED: Chief, VCS APPROVED: Safety Manager APPROVED: Industrial Hygienist APPROVED: Energy Manager	APPROVED: Infection Control Nurse APPROVED: President ADP# 2250	DRAWING TITLE <b>Reefer</b> Structural Details	PROJECT TITLE Upgrade Canteen Refrigeration & Dishwashing	DATE 06JUN2014
DRAWINGS:	DATE:	APPROVED:	APPROVED:	APPROVED:	REVISION NO. 623-15-102	DESIGNED BY: B. Short	SCALE NTS
APPROVED:	APPROVED:	APPROVED:	APPROVED:	APPROVED:	BUILDING NO. 24	LOCATION V.A.M.C MUSKOGEE, OK	DATE: 3 OF 8