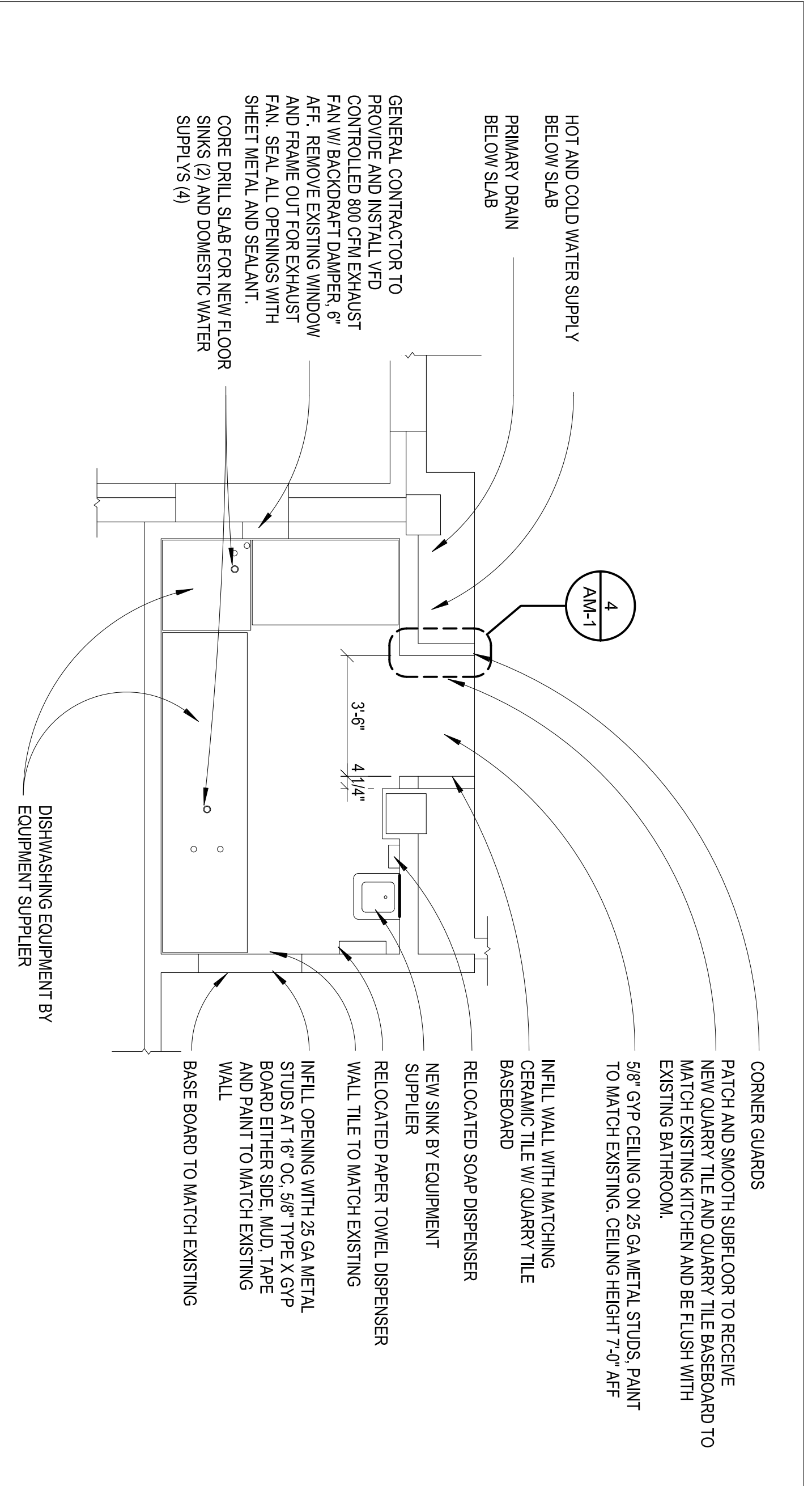
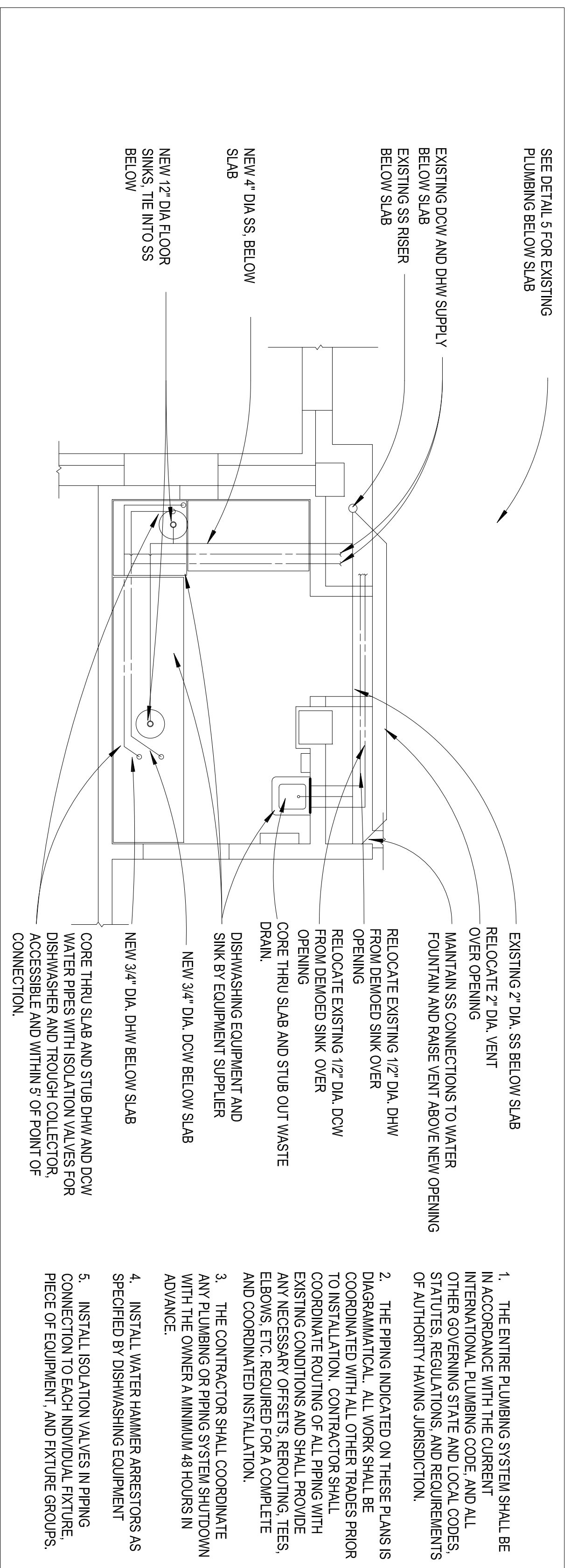


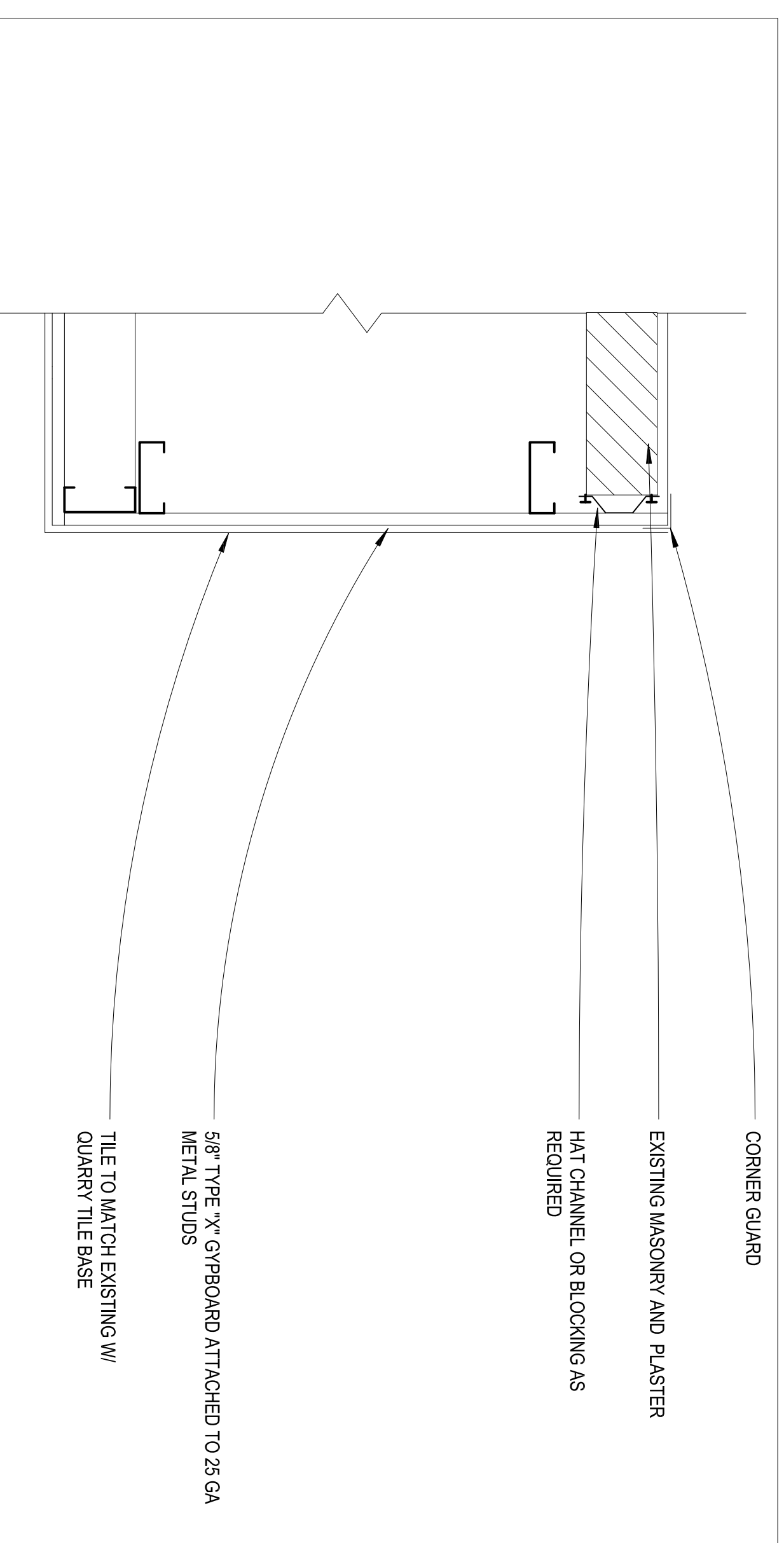
1 DEMOLITION PLAN



2 FLOOR PLAN



3 PLUMBING PLAN



4 JAMB DETAIL AT OPENING



5 EXISTING PLUMBING

- GENERAL NOTES:**
- EQUIPMENT SUPPLIER WILL PROVIDE AND INSTALL EQUIPMENT AND SINKS AND MAKE UTILITY CONNECTIONS WITHIN 5 FEET OF EQUIPMENT POINT OF CONNECTION.
 - GENERAL CONTRACTOR IS RESPONSIBLE FOR ALL OTHER WORK AND COORDINATING THE WORK WITH EQUIPMENT SUPPLIER AND THE VA.

- THE ENTIRE PLUMBING SYSTEM SHALL BE IN ACCORDANCE WITH THE CURRENT INTERNATIONAL PLUMBING CODE AND ALL OTHER GOVERNING STATE AND LOCAL CODES, STATUTES, REGULATIONS, AND REQUIREMENTS OF AUTHORITY HAVING JURISDICTION.
- THE PIPING INDICATED ON THESE PLANS IS DIAGRAMMATIC. ALL WORK SHALL BE COORDINATED WITH ALL OTHER TRADES PRIOR TO INSTALLATION. THE CONTRACTOR SHALL COORDINATE ROUTING OF ALL PIPING WITH EXISTING CONDITIONS AND SHALL PROVIDE ANY NECESSARY OFFSETS, REROUTING, TEES, AND COORDINATED INSTALLATION.
- THE CONTRACTOR SHALL COORDINATE ANY PLUMBING OR PIPING SYSTEM SHUTDOWN WITH THE OWNER A MINIMUM 48 HOURS IN ADVANCE.
- INSTALL WATER HAMMER ARRESTORS AS SPECIFIED BY DISHWASHING EQUIPMENT.
- INSTALL ISOLATION VALVES IN PIPING CONNECTIONS TO DISHWASHERS AND OTHER PIECE OF EQUIPMENT, AND FUTURE GROUPS.

ISSUANCE	DATE	APPROVED: Medical Center Director	APPROVED: Chief, ICS	APPROVED: Building Title	PROJECT TITLE	DATE
		APPROVED: James Michael Center Director	APPROVED: Safety Manager	Architectural and Mechanical Details	Upgrade Canteen Refrigeration & Dishwashing	06JUN2014
		APPROVED: Chief of Staff	APPROVED: Industrial Hygiene	623-15-102	Refrigeration & Dishwashing	NTS
		APPROVED: Chief Engineering	APPROVED: Safety Manager	24	V.A.M.C MUSKOGEE, OK.	AM-1
						DWG. 5 OF 8

Dept. of Veterans Affairs
 Medical Center
 1011 Honor Heights Drive
 Muskogee, OK 74401