



ADDENDUM

PROJECT : VAMC Lebanon

Plumbing Field Study, Project #595-14-177

FROM : Dale Englehart

DATE: 08/25/15

1. Drawing LB-PD-01 detail number 5 Note reads as follows:

- “SHUTOFF SERVICE TO BRANCH AT NEAREST VALVE. CUT AND CAP DEAD LEG PIPING BACK TO TEE. DISTANCE FROM CAP TO EXISTING PIPING TO REMAIN, NOT TO EXCEED TWICE THE DIAMETER OF THE DEAD LEG PIPE.”

Note shall read in accordance to 4.4.2 of the VAMC November 2014 Plumbing Design Manual as follows:

- “CUT AND CAP DEAD LEG PIPING BACK TO TEE. DISTANCE FROM CAP TO EXISTING PIPING TO REMAIN, NOT TO EXCEED TWICE THE DIAMETER OF THE BRANCH, RISER, OR MAIN THAT IT IS CONNECTED TO”
- When dead leg removal includes fixtures, all equipment related to fixture shall be removed and wall patched to match original condition. Drains shall be capped flush with wall or floor surface.

2. Drawing LB-PD-01 detail number 1 revised. See sketch SK-001 attached.

3. Walls, ceilings, partions, and floors where pipes or fixtures are removed shall be patched to original condition. Where this includes fire or smoke partions, seal partions in accordance with NFPA 90A with UL listed fire stopping system.

4. Contractor shall allow time for coordination of shutdowns to remove dead legs. All buildings are active and water systems can only be down for specific time slots. This time and off hour work must be included in the contractors bid.

5. Insulation – Cellular glass, polyisocyanurate (exterior only) or Phenolic closed cell insulation shall be used for piping system conveying fluids below ambient temperatures and/or where insulation for condensation control. Refer to schedule in section 22 07 11.

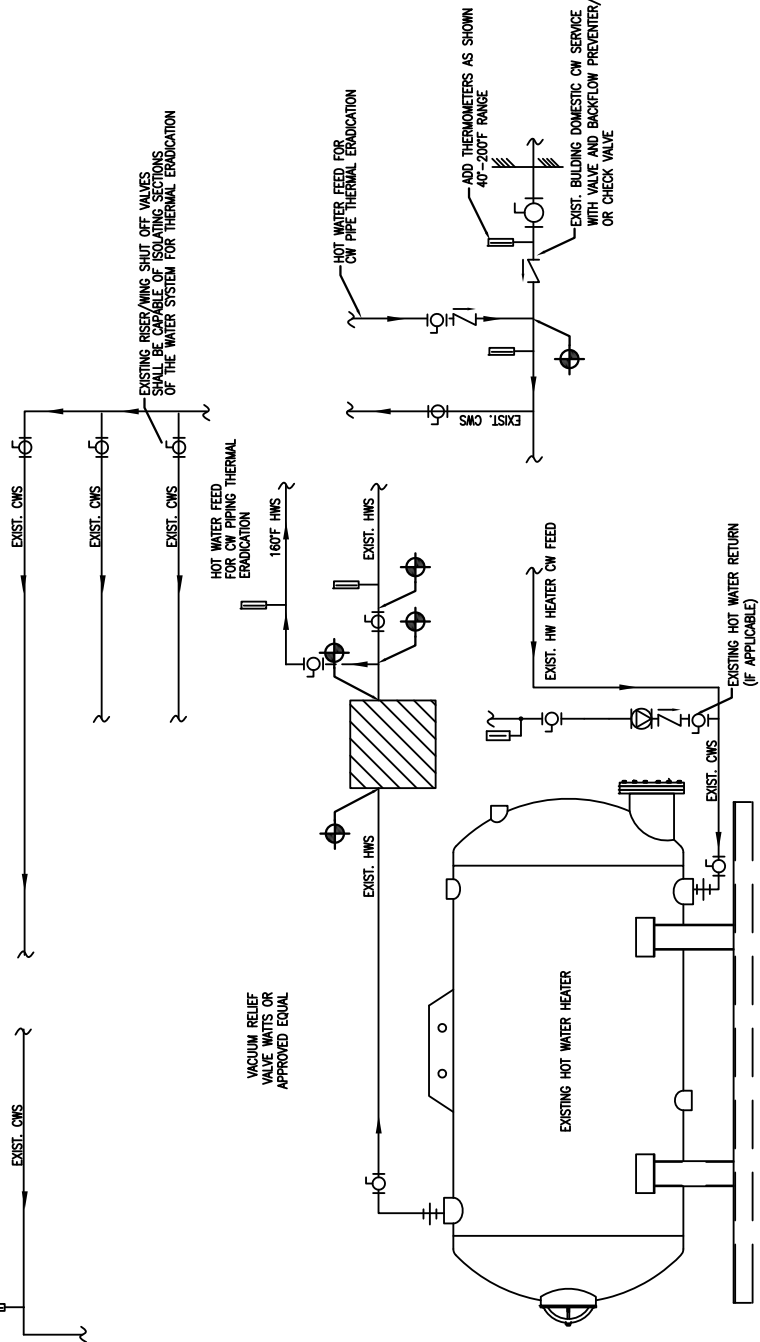




6. Section 21-11-00 3.2 Tests and 3.3 Sterilization apply to system after removal of dead legs. Flushing and sterilization of system also includes cleaning of screens and/or filters which may have been affected by the dead leg removal.



PROVIDE THERMOMETER AT MOST REMOTE CW FIXTURE FROM SOURCE FOR VERIFICATION OF HOT WATER TEMPERATURE DISTRIBUTION. LOCATE IN ACCESSIBLE AREA FOR VISUAL OBSERVATION

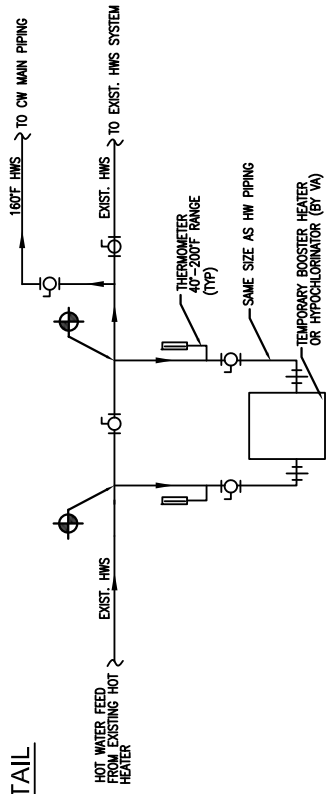


TYPICAL THERMAL ERADICATION MANUAL BYPASS DETAIL

SCALE: N.T.S.

NOTES:

1. DETAIL DEPICTS A GENERIC HOT WATER HEATER. ACTUAL HOT WATER TYPE AND SIZE MAY VARY FROM DETAIL.
2. THE DESIGN INTENT IS TO PROVIDE A MEANS OF LEGIONELLA MITIGATION THROUGH THERMAL ERADICATION BY INTRODUCING HOT WATER 71-77°C (160-170°F) FROM THE EXISTING CENTRAL DOMESTIC HOT WATER HEATERS, INTO THE DOMESTIC COLD WATER PIPING SYSTEM WITH A FLUSHING DURATION OF 30-MIN THROUGH EACH FIXTURE. THE CONTRACTOR SHALL PROVIDE TAPS TO PERMIT THE INSTALLATION FOR A BOOSTER HEATER TO AUGMENT THE EXISTING FACILITY HEATER, AS NECESSARY TO OBTAIN THE REQUIRED HOT WATER TEMPERATURE. (SEE DETAIL).
3. AT THE CONCLUSION OF WORK, THE CONTRACTOR SHALL, IN COORDINATION WITH THE VA, CONDUCT THE THERMAL ERADICATION PROCESS FULLY DEMONSTRATING THE OPERATION OF THE SYSTEM. THE CONTRACTOR SHALL PROVIDE ALL NECESSARY MATERIALS, LABOR, AND EQUIPMENT NECESSARY TO CARRY OUT THE TESTS.
4. CONTRACTOR SHALL ADJUST EXISTING WATER HEATER CONTROLS TO PERMIT TEMPORARY OPERATION AT THE HIGHER TEMPERATURE. PRIOR TO PUTTING THE HEATER BACK INTO NORMAL SERVICE, THE CONTRACTOR SHALL VERIFY AND GUARANTEE PROPER OPERATION OF THE HEATER.
5. THE CONTRACTOR SHALL SUBMIT A SHOP DRAWING DETAILING ALL EQUIPMENT, PIPING, DIMENSIONS, AND COORDINATION DRAWINGS FOR EACH SPACE. THE CONTRACTOR SHALL SUBMIT SHOP DRAWINGS OF EACH BUILDING FOR APPROVAL PRIOR TO START OF WORK. ALL PIPING AND EQUIPMENT IS NOT SHOWN ON FLOOR PLANS AND THE CONTRACTOR IS RESPONSIBLE FOR THIS COORDINATION. NO ADDITIONAL MONIES WILL BE AWARDED FOR THE FAILURE OF THE CONTRACTOR TO COORDINATE EACH THERMAL ERADICATION BYPASS. THE CONTRACTOR MUST PROVIDE A COMPLETE OPERATIONAL TESTED SYSTEM AS PART OF THIS CONTRACT.



TYPICAL TEMPORARY BOOSTER HEATER CONNECTION DETAIL

SCALE: N.T.S.

JOB TITLE: PLUMBING DEAD LEG REMOVAL FOR LEBANON VETERANS AFFAIRS MEDICAL CENTER (VAMC)	DRAWING TITLE: THERMAL ERADICATION DETAIL		DRAWING BY: D. PFEFFER
	DATE: 08/25/15	PAGE SIZE: 8.5" x 11"	SKETCH NUMBER: SK-001
JOB NUMBER: 595-14-177		JOB NUMBER: 595-14-177	