

**AMENDMENT NO. 3**

**February 10, 2016**

The following summarizes revisions or clarifications to VA Solicitation No. VA101-15-R-0081 issued January 25, 2016. Drawings or Specifications referenced and included herein shall replace and supersede only the corresponding documents previously issued. All other documents not changed, replaced, or retracted by this or any subsequent amendment, remain a part of the solicitation. Offerors' proposals shall acknowledge Offerors' receipt and inclusion of this Amendment No. 3.

**DRAWING REVISIONS INCLUDE THE FOLLOWING:**

**Rehab Drawings Volume 1, 2 and 3**

Sheet TN400:

- a. **REMOVE** 400 pair shielded twisted pair copper cable from Technology Riser Diagram.
- b. **REVISE** Keynote 7 to LC to LC fiber optic patch Cable.

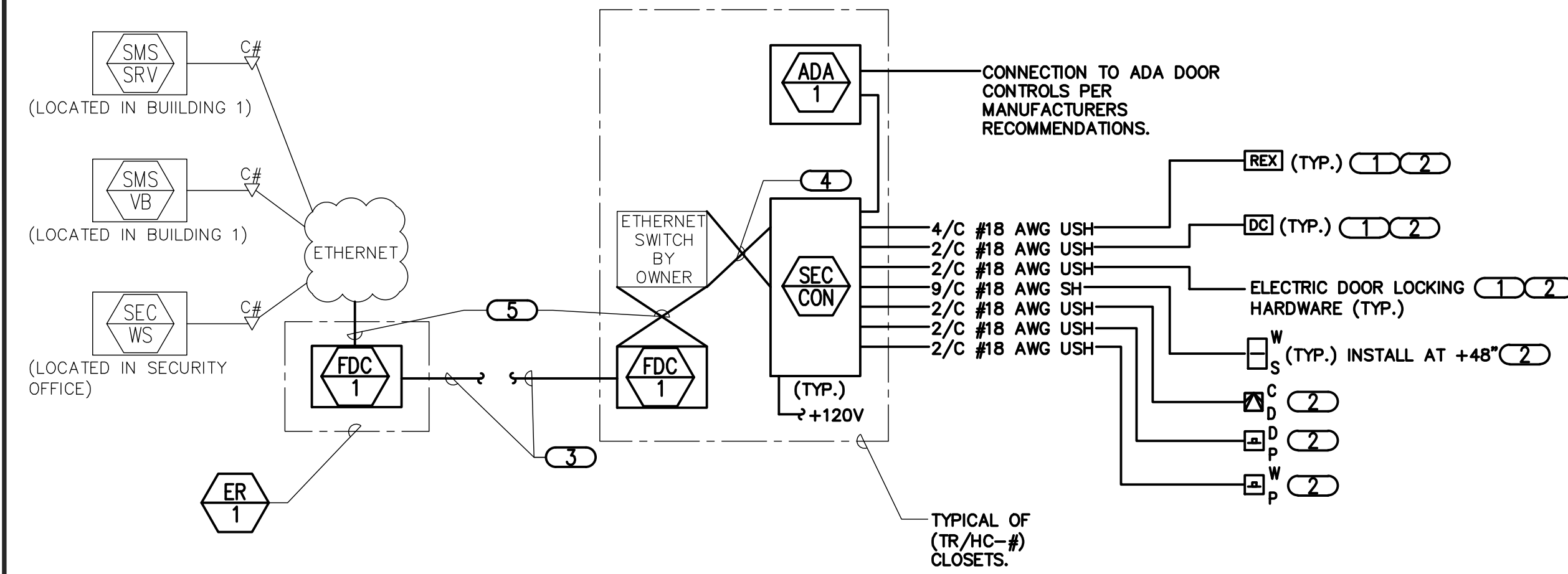
Sheet TN500:

- a. **REVISE** item 122 in the General Technology Equipment Schedule from ST connection to LC connection.

Sheet TN600:

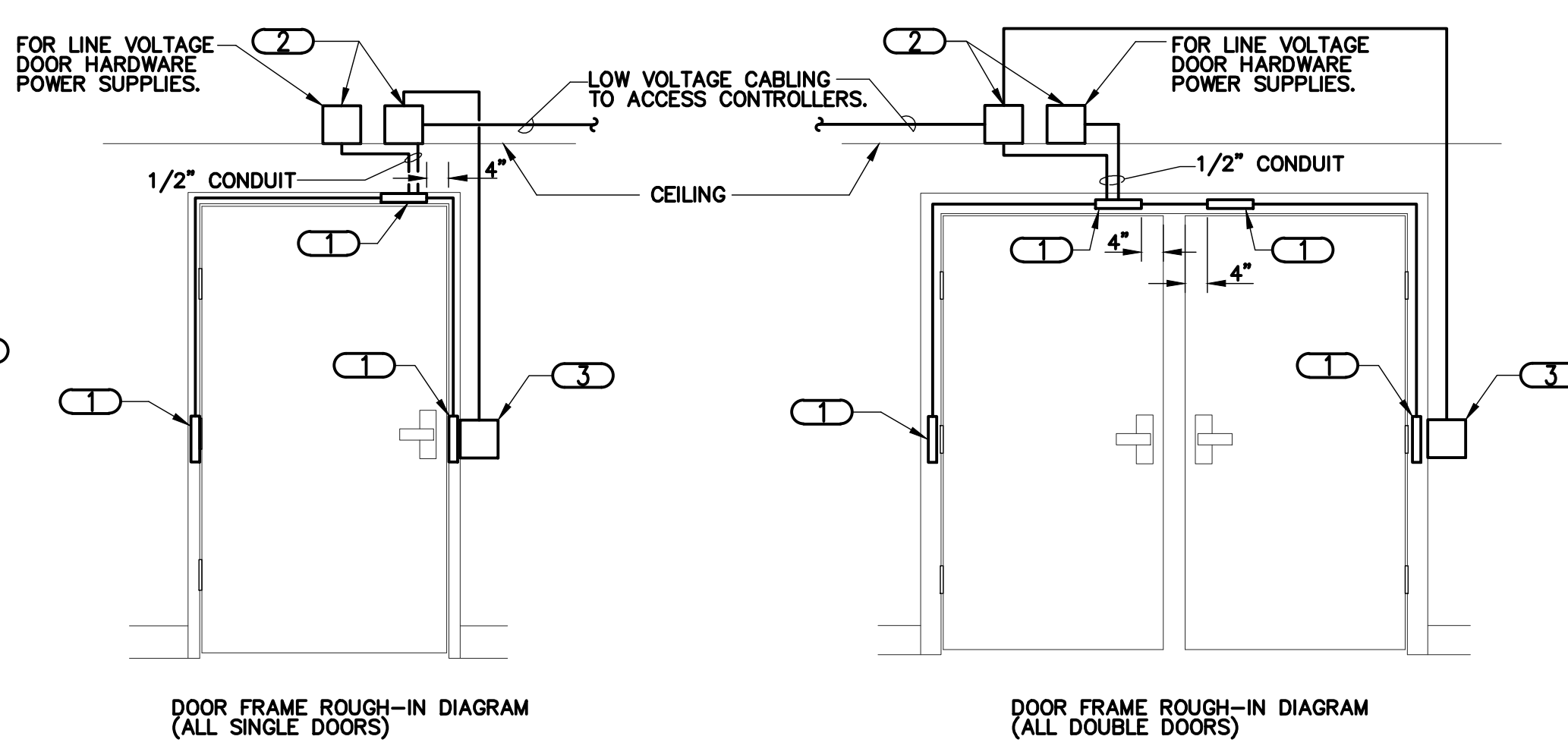
- a. **REVISE** item 56 in the General Technology Equipment Schedule from ST connection to LC Connection.
- b. **REVISE** Nurse Call Master description, item 39 of the General Technology Equipment Schedule.
- c. **REVISE** Patient Assistance Pull Cord Station, item 41 of the General Technology Equipment Schedule.
- d. **REMOVE** Nurse Call Dual Patient Station in the General Technology Equipment Schedule.
- e. **ADD** Nurse Call Duty Station in the General Technology Equipment Schedule.
- f. **ADD** Nurse Call Dome Light in the General Technology Equipment Schedule.

--- END ---



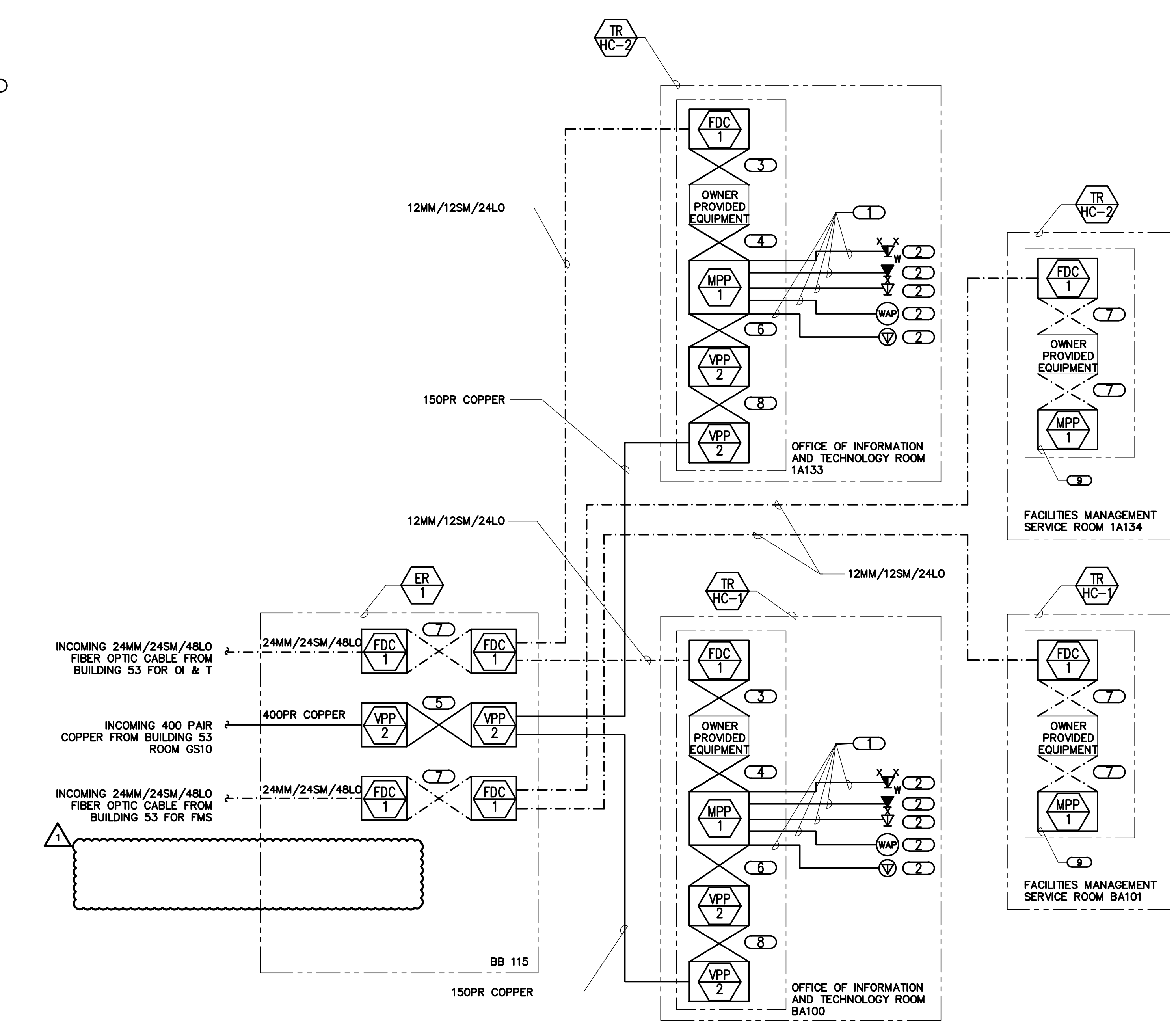
**1 ACCESS CONTROL RISER DIAGRAM**  
NO SCALE

- NOTES:**
- THIS DIAGRAM IS DIAGRAMMATIC AND MAY NOT SHOW ACTUAL DEVICE QUANTITIES OR LOCATIONS. ALL DEVICES SHOWN ARE TYPICAL AND MAY NOT REFLECT EVERY WIRE OR CONNECTION THAT MUST BE MADE. WIRING SHOWN ON THIS DIAGRAM REFLECTS THE REQUIREMENTS FOR THE BASIS OF DESIGN MANUFACTURER. ANY CHANGES REQUIRED DUE TO THE T.C.'S SELECTION OF AN ALTERNATE MANUFACTURER, INCLUDING ANY POWER REQUIRED FOR FIELD LOCATED SECURITY CONTROLLERS, SHALL BE INCLUDED IN THE T.C.'S BID.
  - ALL WORKSTATIONS AND SERVERS REQUIRE A KEYBOARD AND MOUSE.
  - ALL ACCESS SYSTEMS SHALL BE ON THEIR OWN NETWORK. THEY ARE NOT ALLOWED ON THE VA LAN.
  - ALL CABLE FOR THIS SYSTEM SHALL BE INSTALLED IN CONDUIT.
- KEYNOTES:**
- THE REQUEST TO EXIT, DOOR CONTACT AND LOCKING DEVICE ITEMS ARE SHOWN AS [ESS] ON THE FLOOR PLANS.
  - REFER TO FLOOR PLANS FOR LOCATIONS AND LAYOUT OF SECURITY DEVICES.
  - UTILIZE FIBER OPTIC BACKBONE CABLE FOR CONNECTION TO SECURITY SYSTEM HEAD END. REFER TO 1/TN400 FOR FIBER OPTIC BACKBONE CABLE RISER DIAGRAM.
  - RJ45, CATEGORY 6 PATCH CORDS, REFER TO SPECIFICATIONS.
  - SINGLE MODE FIBER OPTIC PATCH CORDS, REFER TO SPECIFICATIONS.



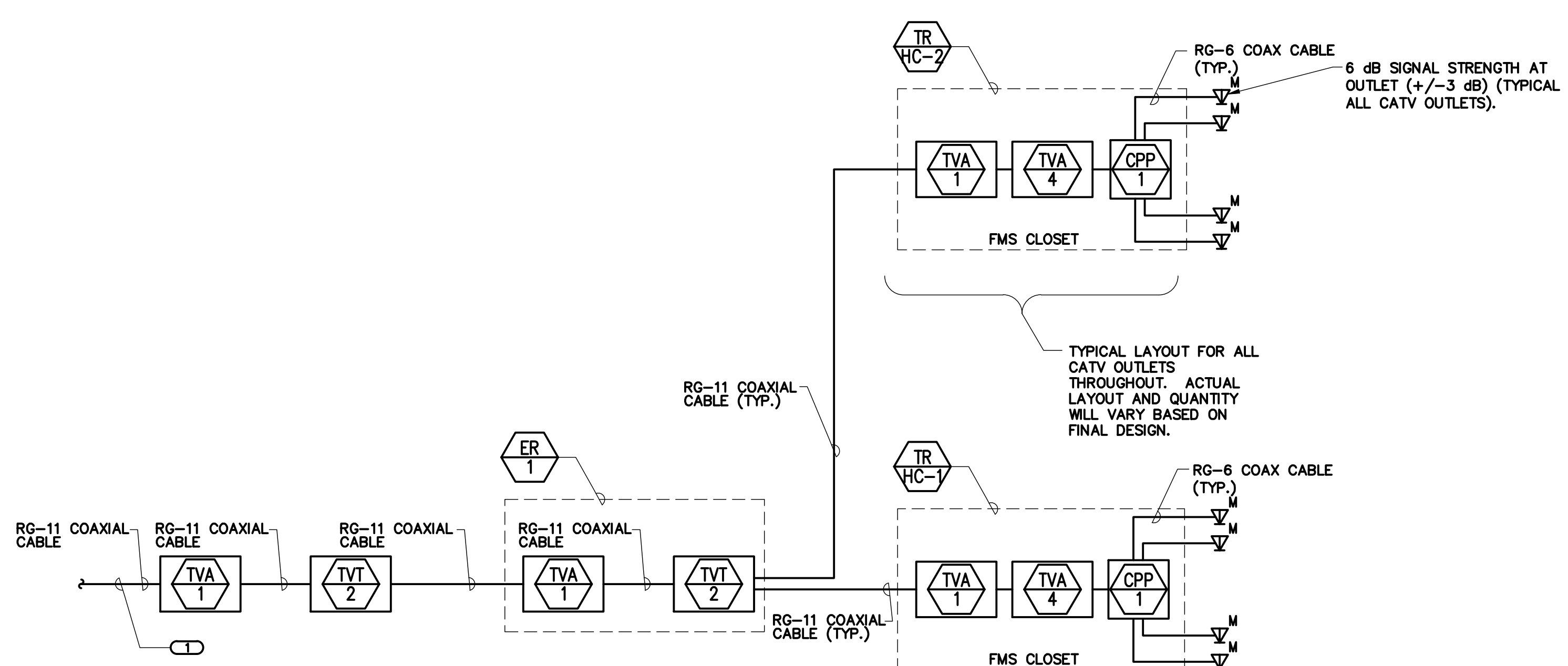
**2 DOOR ROUGH-IN AND WIRING DIAGRAMS**  
NO SCALE

- NOTES:**
- WIRING SHOWN ON THESE DIAGRAMS IS FOR BIDDING PURPOSES AND REPRESENTS MINIMUM REQUIREMENTS. COORDINATE EXACT REQUIREMENTS WITH SELECTED MANUFACTURER.
  - DETAILS ABOVE MAY NOT BE REPRESENTATIVE OF SPECIFIC DOOR SWING DIRECTION. MIRROR DETAIL AS REQUIRED.
  - WIRING SHOWN IN CONFIGURATION DETAILS SHALL UTILIZE RELEVANT JUNCTION BOXES SHOWN IN ROUGH-IN DETAIL. ALL WIRING IS CONCEALED IN DOOR FRAME OR DOOR. NO EXPOSED CABLING IS ALLOWED.
  - CONFIGURATIONS SHOWN ARE DIAGRAMMATIC, INTENDED TO DESCRIBE THE SECURITY REQUIREMENTS OF THE DOORS. THEY ARE NOT INTENDED TO ACCURATELY REPRESENT DOOR SIZE, DOOR FUNCTIONALITY OR DOOR HARDWARE. REFER TO ARCHITECTURAL DOOR HARDWARE GROUPS AND SPECIFICATION FOR COMPLETE INFORMATION.
  - ALL DOOR POSITION SWITCHES SHALL BE RECESSED, CONCEALED TYPE UNLESS OTHERWISE NOTED.
  - ALL CABLING IN WALLS AND WHEN EXPOSED ON VERTICAL SURFACES, (I.E., THE OVERHEAD DOOR FRAME) SHALL BE ROUTED IN MINIMUM 1/2" EMT CONDUIT. CABLING TRAVELING HORIZONTALLY ALONG THE CEILING DECK OR ABOVE A LAY-IN CEILING, SHALL BE INSTALLED IN MINIMUM 3/4" CONDUIT.
  - ELECTRIC HINGE MONITORS ARE NOT ACCEPTABLE REPLACEMENTS FOR THE CONCEALED DOOR POSITION SWITCHES.
  - REFER TO FLOOR PLANS FOR CARD READER LOCATIONS.
- KEYNOTES:**
- PROVIDE A JUNCTION BOX IN THE DOOR FRAME WHERE SHOWN ON THE DETAIL, ROUGH-IN SHALL BE PROVIDED WHETHER THE CURRENT SECURITY SCHEME UTILIZES THEM OR NOT. CONNECT THE JUNCTION BOXES IN THE VERTICAL SECTIONS OF THE DOOR FRAME TO THE BOX IN THE HEADER WITH 3/8" FLEXIBLE CONDUIT.
  - MOUNT 2 DOUBLE GANG BACKBOXES WITH BLANK COVER PLATES ABOVE THE CEILING. MAINTAIN ACCESS TO JUNCTION BOX WHERE CEILING IS A GYPSUM BOARD CEILING, LOCATE BOXES ABOVE NEAREST LAY-IN CEILING AND EXTEND CONDUITS TO THIS LOCATION.
  - PROVIDE A JUNCTION BOX FOR CARD READER. PROVIDE ONE (1) 14" CONDUIT TO ACCESS CONTROL JUNCTION BOX AS SHOWN. MOUNT BOX AT 48" AFF.



**4 TECHNOLOGY RISER DIAGRAM**  
NO SCALE

- NOTES:**
- THIS RISER IS DIAGRAMMATIC AND MAY NOT SHOW ACTUAL ROUTING OR QUANTITIES OF MATERIALS SHOWN. THIS RISER IS SHOWN FOR CLARIFICATION OF CONNECTION LOCATIONS AND CABLE TYPE. ALL INFORMATION OUTLETS ARE TYPICAL OF THE OUTLETS IN THE AREA SHOWN. SEE PLANS FOR MORE SPECIFIC ROUTING INFORMATION. SEE SPECIFICATIONS FOR ADDITIONAL REQUIREMENTS.
- LEGEND:**
- FIBER - - - - -
  - COPPER - - - - -
  - MM - MULTIMODE FIBER OPTIC CABLE (62.5µm)
  - SM - SINGLEMODE FIBER OPTIC CABLE
  - LO - LASER OPTIMIZED FIBER OPTIC CABLE (50µm)
  - OI & T - OFFICE OF INFORMATION AND TECHNOLOGY
  - FMS - FACILITIES MANAGEMENT SYSTEMS
- KEYNOTES:**
- 23 GAUGE, 4-PAIR, CATEGORY 6, UNSHIELDED TWISTED PAIR CABLE TO VOICE & DATA LOCATIONS, SEE SPECIFICATIONS.
  - REFER TO INFORMATION OUTLET SCHEDULE TN302 FOR DETAILS.
  - STRUCTURED CABLING FIBER OPTIC PATCH CORDS. REFER TO SPECIFICATIONS.
  - RJ-45 TO RJ-45 CATEGORY 6 UTP PATCH CORDS. REFER TO SPECIFICATIONS.
  - CROSS-CONNECT 100-PAIR PER BACKBONE RISER CABLE TO THE INCOMING COPPER BACKBONE CABLE.
  - 110 TO RJ-45 CATEGORY 6 UTP PATCH CORDS. REFER TO SPECIFICATIONS.
  - FIBER OPTIC PATCH CORDS (LC TO LC) REFER TO SPECIFICATIONS.
  - 24AWG CROSS CONNECT WIRE AS REQUIRED.
  - PATCH PANEL FOR OWNER PROVIDED, OWNER INSTALLED CCTV CAMERAS.



**3 PARTIAL CABLE T.V. RISER DIAGRAM**  
NO SCALE

- NOTES:**
- CONTRACTOR TO PROVIDE CATV SYSTEM TO ALLOW 6dB +/- 3dB OF OUTPUT AT ALL "V" OUTLETS, ACTUAL TAP/SPLITTER SETTINGS, LAYOUT, AND AMP SIZING/QUANTITY TO BE INCLUDED IN CONTRACTOR'S FINAL DESIGN. SEE SPECIFICATIONS FOR ADDITIONAL REQUIREMENTS.
  - ALL CABLING IS TO BE RG-6 COAXIAL UNLESS OTHERWISE NOTED.
  - SEE PLANS FOR QUANTITY OF CABLES AND JACKS TO BE INSTALLED AT EACH TELEVISION OUTLET "V".
- KEYNOTES:**
- INCOMING CAMPUS CATV SIGNAL. CONNECT TO TAP LOCATED IN ROOM GS12 BUILDING 53. REFER TO 3/D1100 FOR APPROXIMATE LOCATION.

**CONSULTANTS:**

<p><b>STRUCTURAL ENGINEER:</b> KPF CONSULTING ENGINEERS 1630 DES PERES ROAD, SUITE 100 ST. LOUIS, MO 63131 PHONE: (314) 951-6524</p>	<p><b>CODE CONSULTANT/FIRE PROTECTION:</b> CODE CONSULTANTS, INC. 2043 WOODLAND PARKWAY, SUITE 300 ST. LOUIS, MO 63146-4235 PHONE: (314) 991-2633</p>	<p><b>AUTOMATIC TRANSPORT:</b> LERCH BATES INC. 8989 S. LINCOLN STREET, SUITE 207 LITTLETON, CO 80122 PHONE: (720) 283-8182</p>	<p><b>HAZARDOUS MATERIALS:</b> ALTEC ENVIRONMENTAL CONSULTING, LLC. P.O. BOX 17887 SHREVEPORT, LA 71138-0887 PHONE: (318) 687-3771</p>
<p><b>MECHANICAL/ELECTRICAL/PLUMBING:</b> KJWW ENGINEERING CONSULTANTS #15 SUNNEN DRIVE, SUITE 104 ST. LOUIS, MO 63143 PHONE: (314) 645-1132</p>	<p><b>CIVIL ENGINEER:</b> STOCK &amp; ASSOCIATES CONSULTING ENGINEERS, INC. 257 CHESTERFIELD BUSINESS PARKWAY CHESTERFIELD, MO 63005 PHONE: (636) 530-9190</p>	<p><b>ESTIMATING:</b> KWAME BUILDING GROUP, INC. 1204 WASHINGTON AVENUE, SUITE 200 ST. LOUIS, MO 63103 PHONE: (314) 962-5344</p>	<p><b>POOL:</b> COUNSILMAN HUNSAKER 10733 SUNSET OFFICE DRIVE, 4TH FLOOR ST. LOUIS, MO 63127 PHONE: (314) 894-0109</p>

**ARCHITECT/ENGINEERS:**

**CHRISTNER**

ARCHITECTS | DESIGNERS | PLANNERS | LANDSCAPE ARCHITECTS

168 N. MERAMEC AVENUE | ST. LOUIS, MISSOURI 63105  
TEL 314 725 2927 | FAX 314 725 2928 | CHRISTNERINC.COM

THE SEAL (S) AND SIGNATURE(S) APPLY ONLY TO THE DOCUMENT TO WHICH THEY ARE AFFIXED, AND WE EXPRESSLY DISCLAIM ANY RESPONSIBILITY FOR ALL OTHER PLANS, SPECIFICATIONS, ESTIMATES, REPORTS, OR OTHER DOCUMENTS OR INSTRUMENTS RELATING TO OR INTENDED TO BE USED FOR ANY PART OF PARTS OF THE PROJECT.  
© COPYRIGHT 2010 CHRISTNER INC.

**Drawing Title**  
TECHNOLOGY RISER DIAGRAMS

Approved: Project Director

*John Sanders*

**Project Title**  
REHAB BUILDING

Location  
JEFFERSON BARRACKS DIVISION

Date  
29 OCTOBER 2012

Checked  
JEFCAR

Drawn  
KEIEVE

**Project Number**  
657-313E

Building Number  
54

Drawing Number  
TN400

Dwg. 144 of 164

Office of Construction and Facilities Management

Department of Veterans Affairs



TECHNOLOGY MATERIAL LIST

THE SYMBOLS AND THE MATERIAL LIST ARE FOR THE CONVENIENCE OF THE CONTRACTOR. EACH CONTRACTOR SHALL BE RESPONSIBLE FOR VERIFICATION OF QUANTITIES AND SHALL FURNISH ALL MATERIAL REQUIRED, WHETHER SPECIFIED OR NOT, TO PRODUCE A SATISFACTORY WORKING DRAWING.

CATALOG NUMBERS SHALL NOT BE CONSIDERED COMPLETE BUT ARE GIVEN ONLY TO AID THE CONTRACTOR IN THE SEARCH FOR MATERIAL. NO MATERIAL SHALL BE ORDERED BY MANUFACTURER AND CATALOG NUMBER ONLY. EACH CONTRACTOR SHALL FIRST READ THE COMPLETE DESCRIPTION OF THE MATERIAL ON THESE DRAWINGS AND SPECIFICATIONS. THE FIRST MANUFACTURER LISTED IS THE BASIS OF DESIGN. "STANDARD COLOR" INDICATES FACTORY FINISH AVAILABLE AT NO ADDITIONAL CHARGE.

Table with columns: ITEM NO., SYMBOL, DESCRIPTION, APPROVED MANUFACTURERS. Contains items 1 through 23 under the TECHNOLOGY section.

TECHNOLOGY MATERIAL LIST (CONTINUED)

Table with columns: ITEM NO., SYMBOL, DESCRIPTION, APPROVED MANUFACTURERS. Contains items 25 through 53 under ACCESS CONTROL and NURSE CALL DEVICES sections.

TECHNOLOGY MATERIAL LIST (CONTINUED)

Table with columns: ITEM NO., SYMBOL, DESCRIPTION, APPROVED MANUFACTURERS. Contains items 54 through 83 under various technology equipment sections.

TECHNOLOGY MATERIAL LIST (CONTINUED)

Table with columns: ITEM NO., SYMBOL, DESCRIPTION, APPROVED MANUFACTURERS. Contains items 84 through 110 under various technology equipment sections.

CONSULTANTS:

Table listing Structural Engineer (KFF CONSULTING ENGINEERS), Mechanical/Electrical/Plumbing (KJWW ENGINEERING CONSULTANTS), and Civil Engineer (STOCK & ASSOCIATES CONSULTING ENGINEERS, INC.).

HAZARDOUS MATERIALS:

Table listing AUTOMATIC TRANSPORT (LEIGH BATES INC.), ESTIMATING (KWAME BUILDING GROUP, INC.), and POOL (COURTNEY HANUSMAN).

ARCHITECT/ENGINEERS:

CHRISTNER ARCHITECTS | DESIGNERS | PLANNERS | LANDSCAPE ARCHITECTS. Includes contact information for St. Louis, Missouri and a professional seal for James Christner.

TECHNOLOGY MATERIALS LIST

Drawing Title: TECHNOLOGY MATERIALS LIST. Approved: Project Director. Includes a signature for James Christner.

Project Title: REHAB BUILDING

Table with project details: Project Number 657-313E, Building Number 54, Drawing Number TN600, Date 29 OCTOBER 2012, Checked JEF CAR, Drawn KEIVIE.

Office of Construction and Facilities Management, Department of Veterans Affairs. Includes a logo and the text 'FULLY SPRINKLERED'.