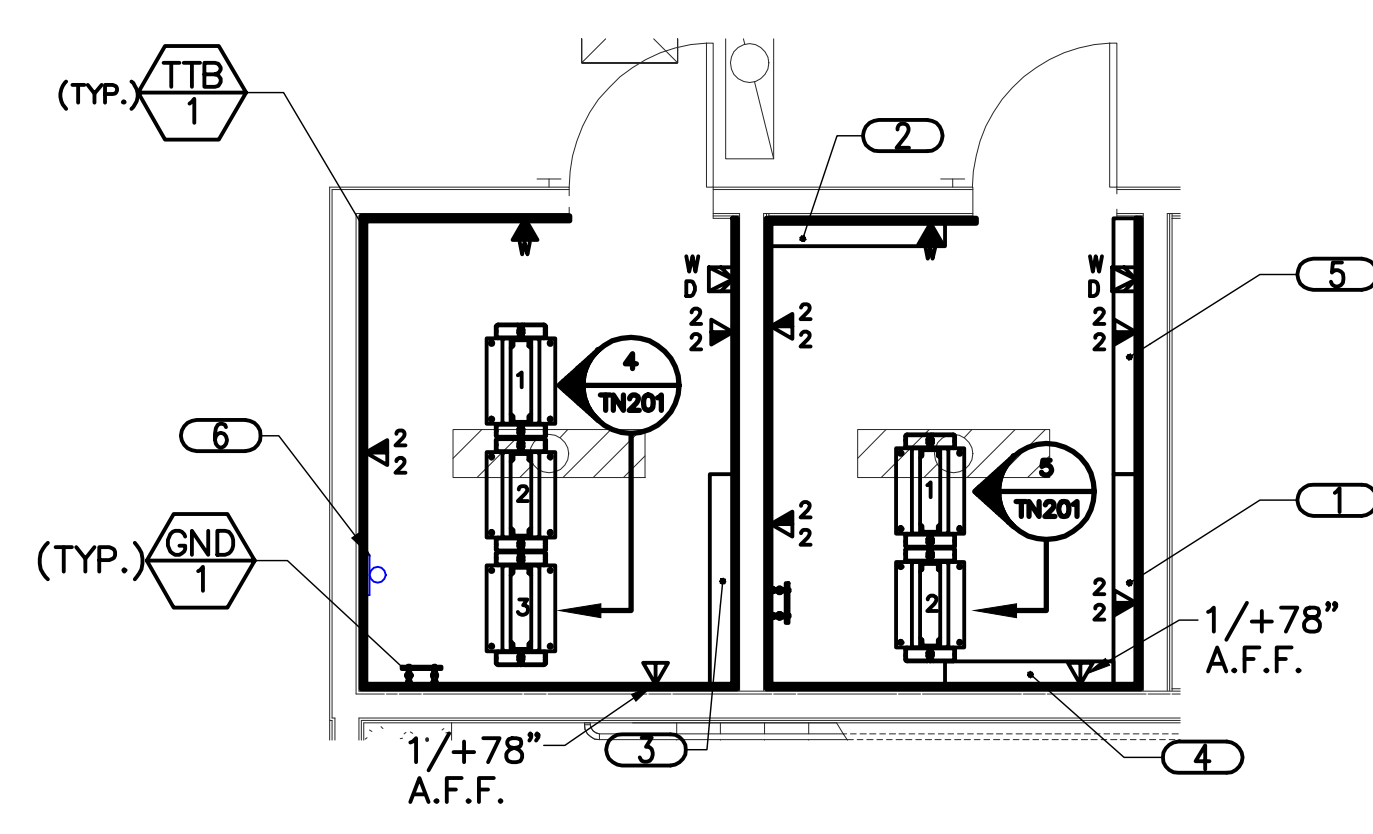
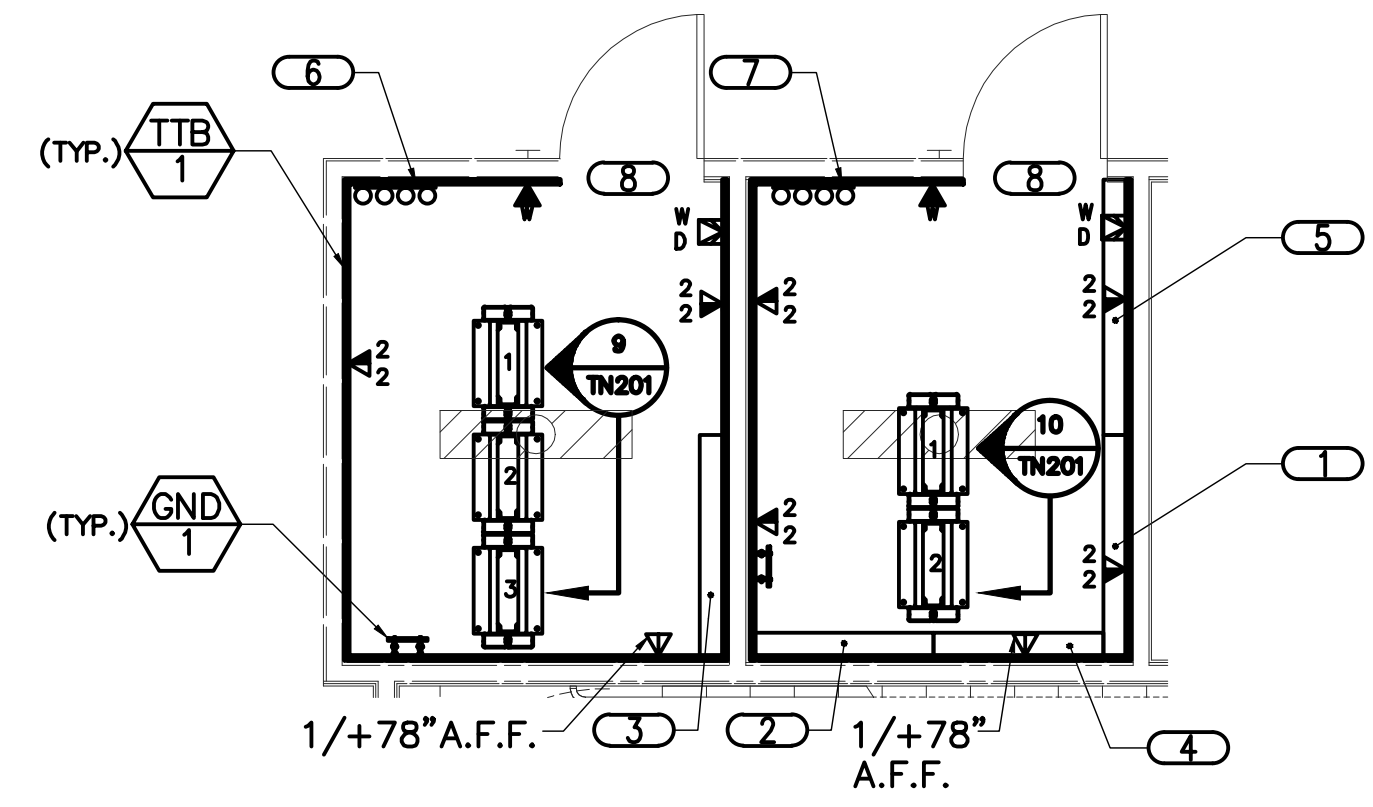


three inches = one foot  
 one and one half inches = one foot  
 one inch = one foot  
 three quarters inch = one foot  
 one half inch = one foot  
 three eighths inch = one foot  
 one quarter inch = one foot  
 one eighth inch = one foot



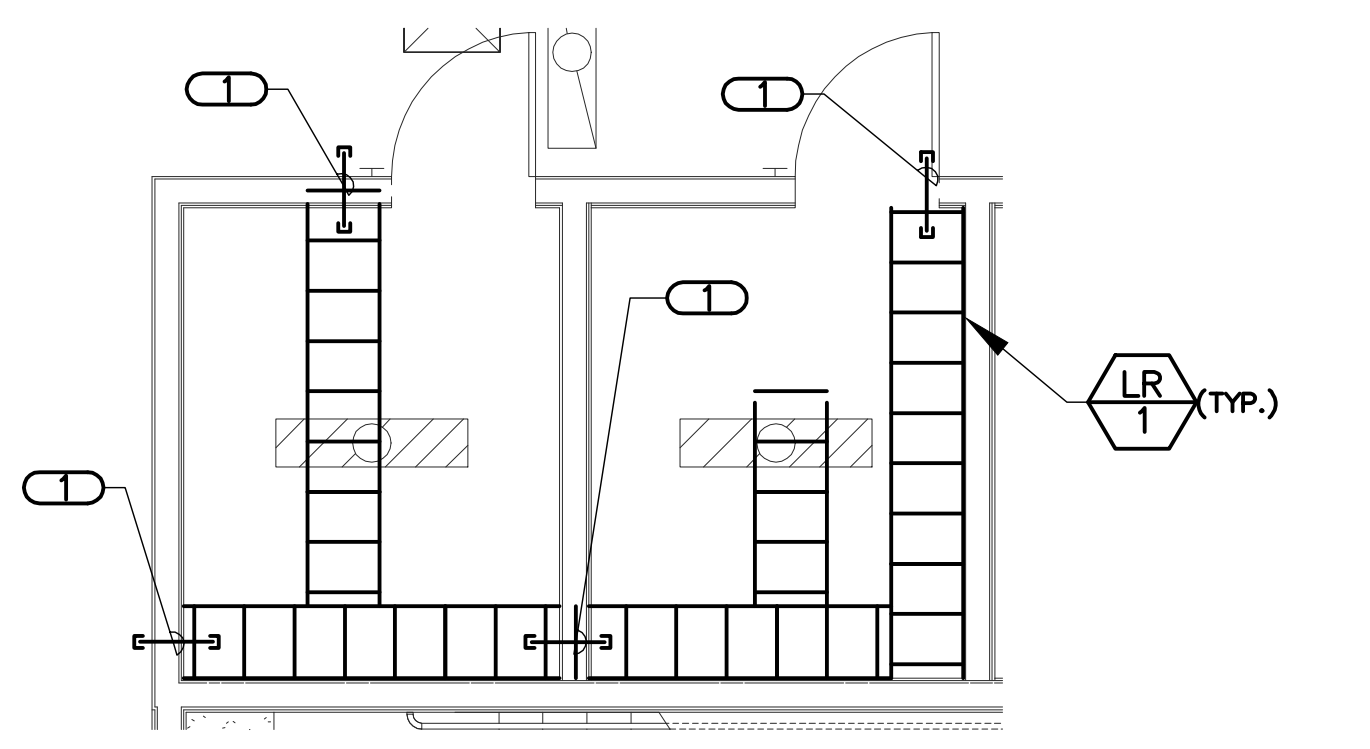
**1 TECH DATA ROOM BA 105 AND BA 106 LAYOUT**  
 SCALE 1/4"=1'-0"

- NOTES:**
- CONTRACTOR SHALL MOUNT GROUND BAR AT 7'-0" A.F.F. REFER TO 2/TN300 FOR GROUND BAR DETAIL.
  - REFER TO 2/TN201 FOR TECH/DATA ROOM HORIZONTAL CABLE LADDER RACK LAYOUT.
  - REFER TO 3/TN201 FOR TECH/DATA ROOM BACKBONE CABLE LADDER RACK LAYOUT.
- KEYNOTES:**
- 1 SPACE FOR FIRE ALARM EQUIPMENT.
  - 2 SPACE FOR ACCESS CONTROL EQUIPMENT.
  - 3 VOICE BACKBONE TERMINATIONS 110 BLOCKS.
  - 4 SPACE FOR CCTV EQUIPMENT.
  - 5 SPACE FOR PAGING EQUIPMENT.
  - 6 ONE (1) 3" CONDUIT. REFER SHEETS TO TD100 AND TNS101 FOR CONTINUATION.



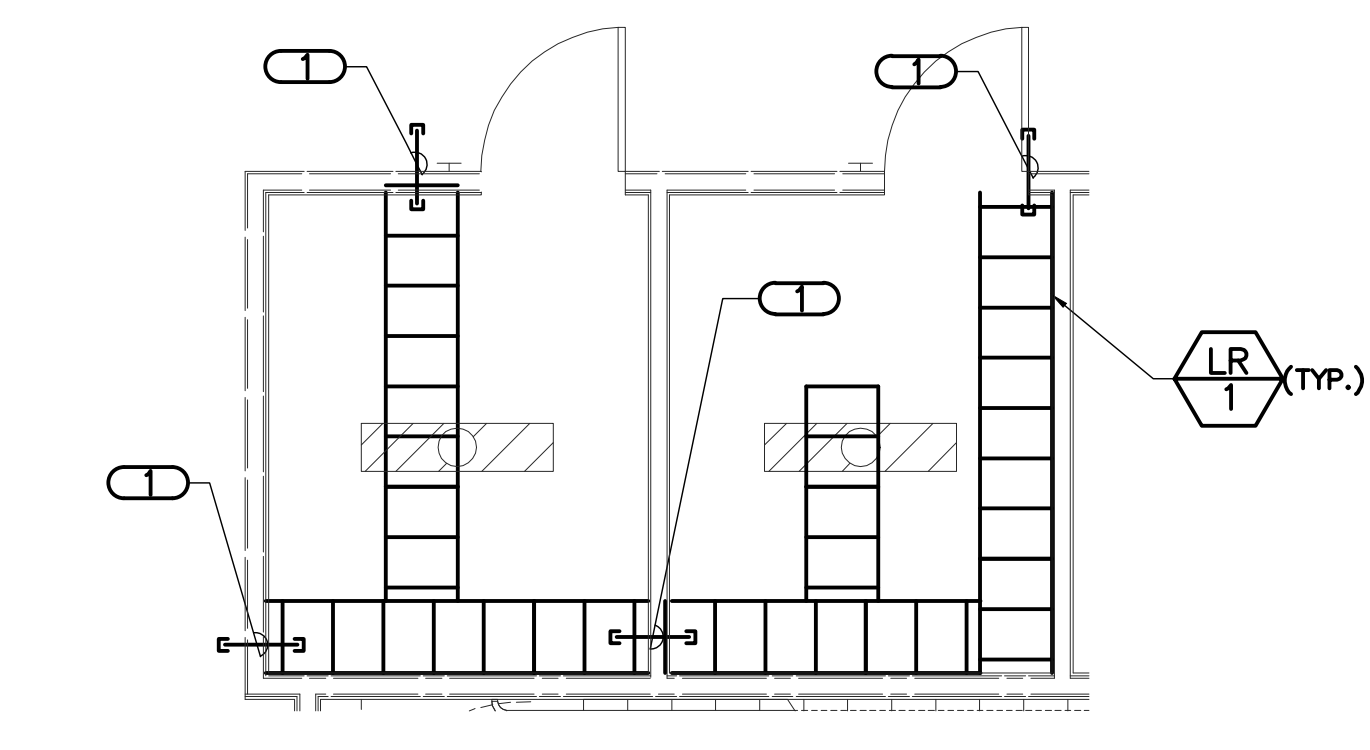
**6 TECH/DATA ROOM 1A 109 AND 1A 108 LAYOUT**  
 SCALE 1/4"=1'-0"

- NOTES:**
- CONTRACTOR SHALL MOUNT GROUND BAR AT 7'-0" A.F.F. REFER TO 2/TN300 FOR GROUND BAR DETAIL.
  - REFER TO 7/TN201 FOR TECH/DATA ROOM HORIZONTAL CABLE LADDER RACK LAYOUT.
  - REFER TO 8/TN201 FOR TECH/DATA ROOM BACKBONE CABLE LADDER RACK LAYOUT.
- KEYNOTES:**
- 1 SPACE FOR FIRE ALARM EQUIPMENT.
  - 2 SPACE FOR ACCESS CONTROL EQUIPMENT.
  - 3 VOICE BACKBONE TERMINATIONS 110 BLOCKS. (VPP/1)
  - 4 SPACE FOR CCTV EQUIPMENT.
  - 5 SPACE FOR PAGING EQUIPMENT.
  - 6 FOUR (4) 4" CONDUIT SLEEVES TO BA 105.
  - 7 FOUR (4) 4" CONDUIT SLEEVES TO BA 106.
  - 8 CONTRACTOR SHALL MOUNT MOTION DETECTOR BELOW LADDER RACK AT 7'-6" A.F.F.



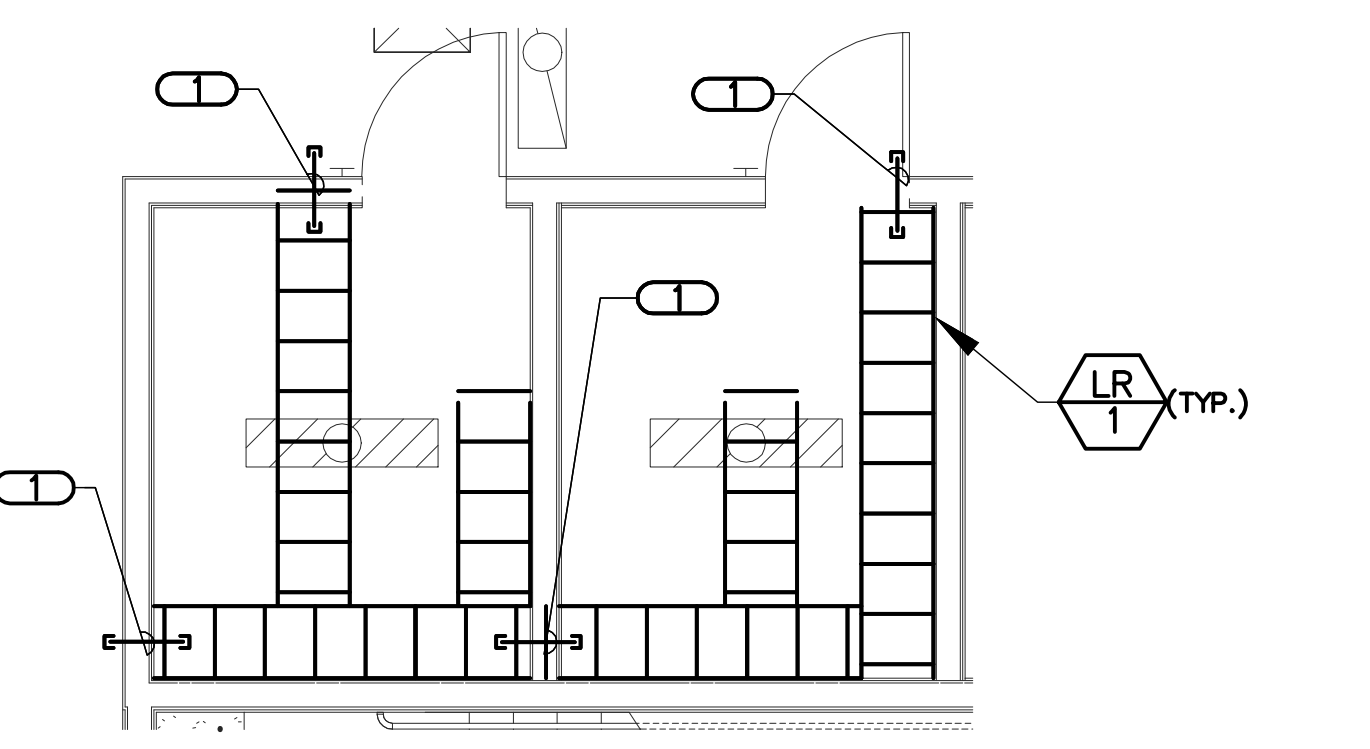
**2 TECH/DATA ROOM BA105 + BA106 LOWER RACK LAYOUT**  
 SCALE 1/4"=1'-0"

- NOTES:**
- CONTRACTOR SHALL MOUNT LADDER RACK AT 8'-0" A.F.F.
  - REFER TO 7/TN300 FOR CABLE RUNWAY RADIUS DROP. PROVIDE CABLE RUNWAY RADIUS DROP FOR EACH RACK.
- KEYNOTES:**
- 1 FOUR (4) 4" CONDUIT SLEEVES.



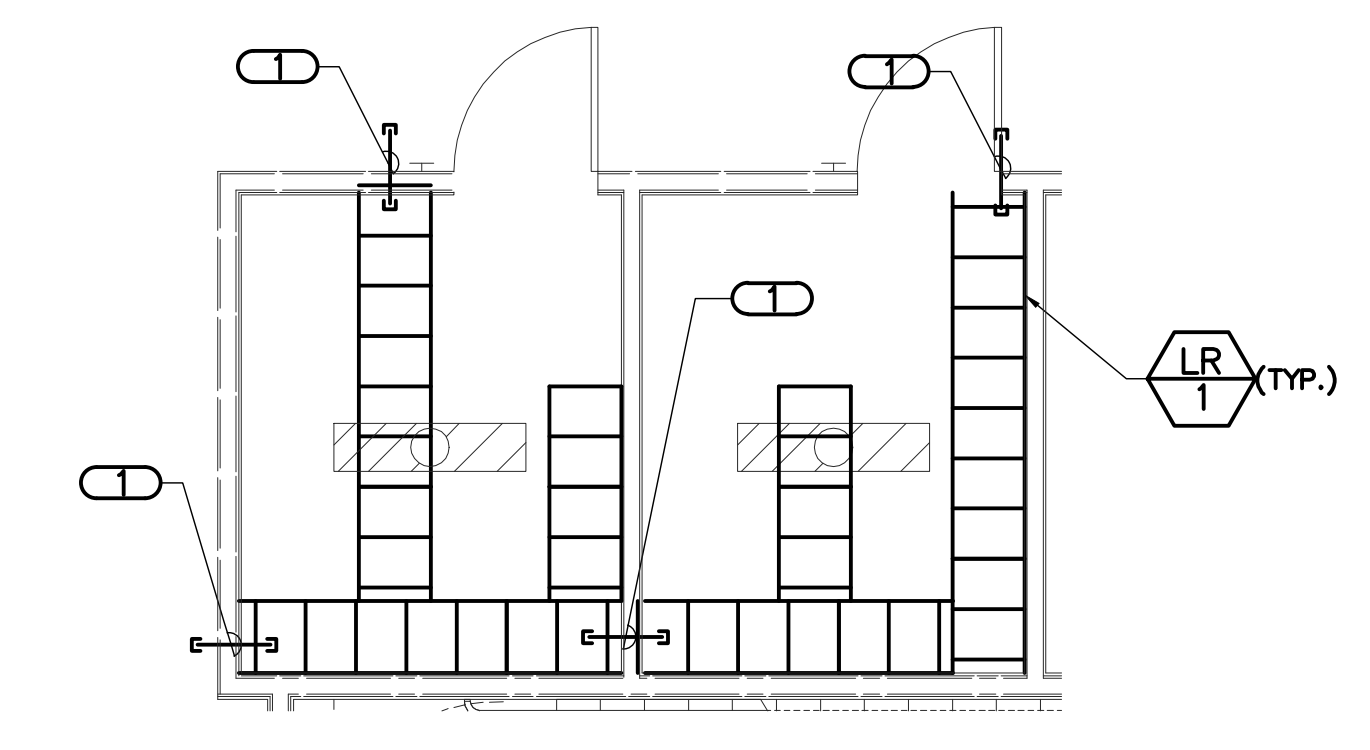
**7 TECH/DATA ROOM 1A 109 AND 1A 108 LOWER RACK LAYOUT**  
 SCALE 1/4"=1'-0"

- NOTES:**
- CONTRACTOR SHALL MOUNT LADDER RACK AT 8'-0" A.F.F.
  - REFER TO 7/TN300 FOR CABLE RUNWAY RADIUS DROP. PROVIDE CABLE RUNWAY RADIUS DROP FOR EACH RACK.
- KEYNOTES:**
- 1 CONTRACTOR SHALL PROVIDE FOUR (4) 4" CONDUIT SLEEVES.



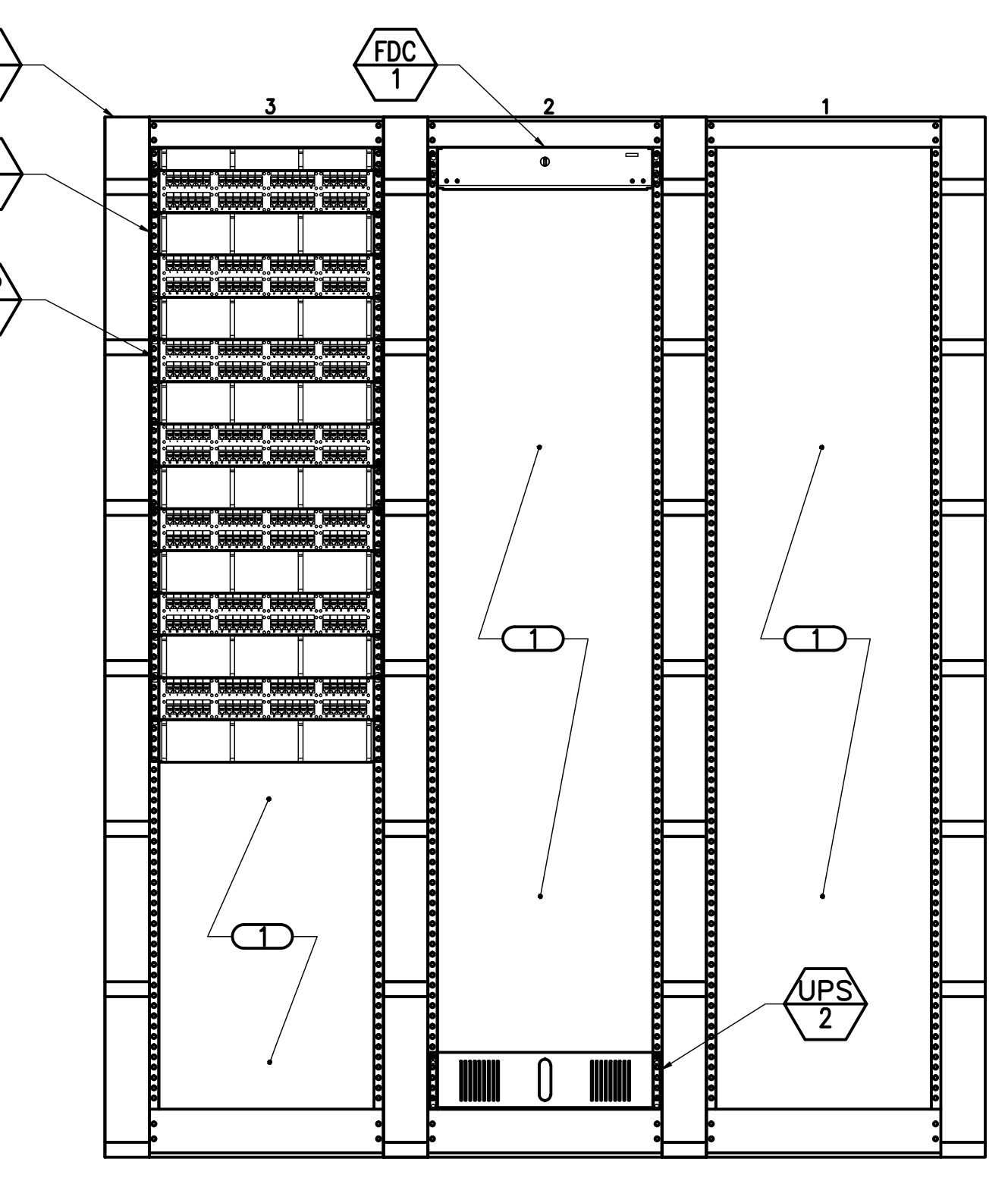
**3 TECH/DATA ROOM BA105 + BA106 UPPER RACK LAYOUT**  
 SCALE 1/4"=1'-0"

- NOTES:**
- CONTRACTOR SHALL MOUNT LADDER RACK AT 10'-0" A.F.F.
  - REFER TO 7/TN300 FOR CABLE RUNWAY RADIUS DROP. PROVIDE CABLE RUNWAY RADIUS DROP FOR EACH RACK.
- KEYNOTES:**
- 1 FOUR (4) 4" CONDUIT SLEEVES.



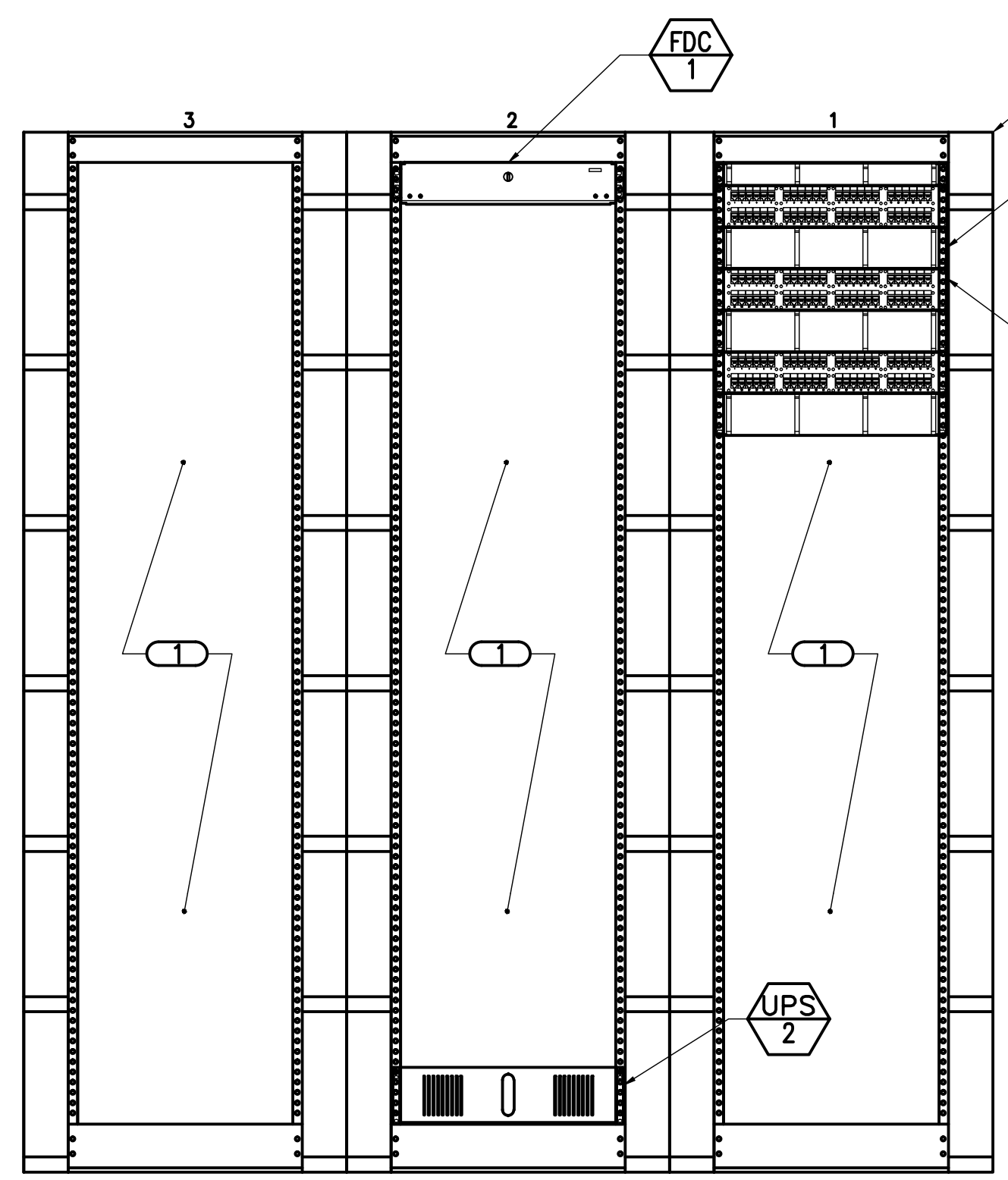
**8 TECH/DATA ROOM 1A 109 AND 1A 108 UPPER RACK LAYOUT**  
 SCALE 1/4"=1'-0"

- NOTES:**
- CONTRACTOR SHALL MOUNT LADDER RACK AT 10'-0" A.F.F.
  - REFER TO 7/TN300 FOR CABLE RUNWAY RADIUS DROP. PROVIDE CABLE RUNWAY RADIUS DROP FOR EACH RACK.
- KEYNOTES:**
- 1 CONTRACTOR SHALL PROVIDE FOUR (4) 4" CONDUIT SLEEVES.



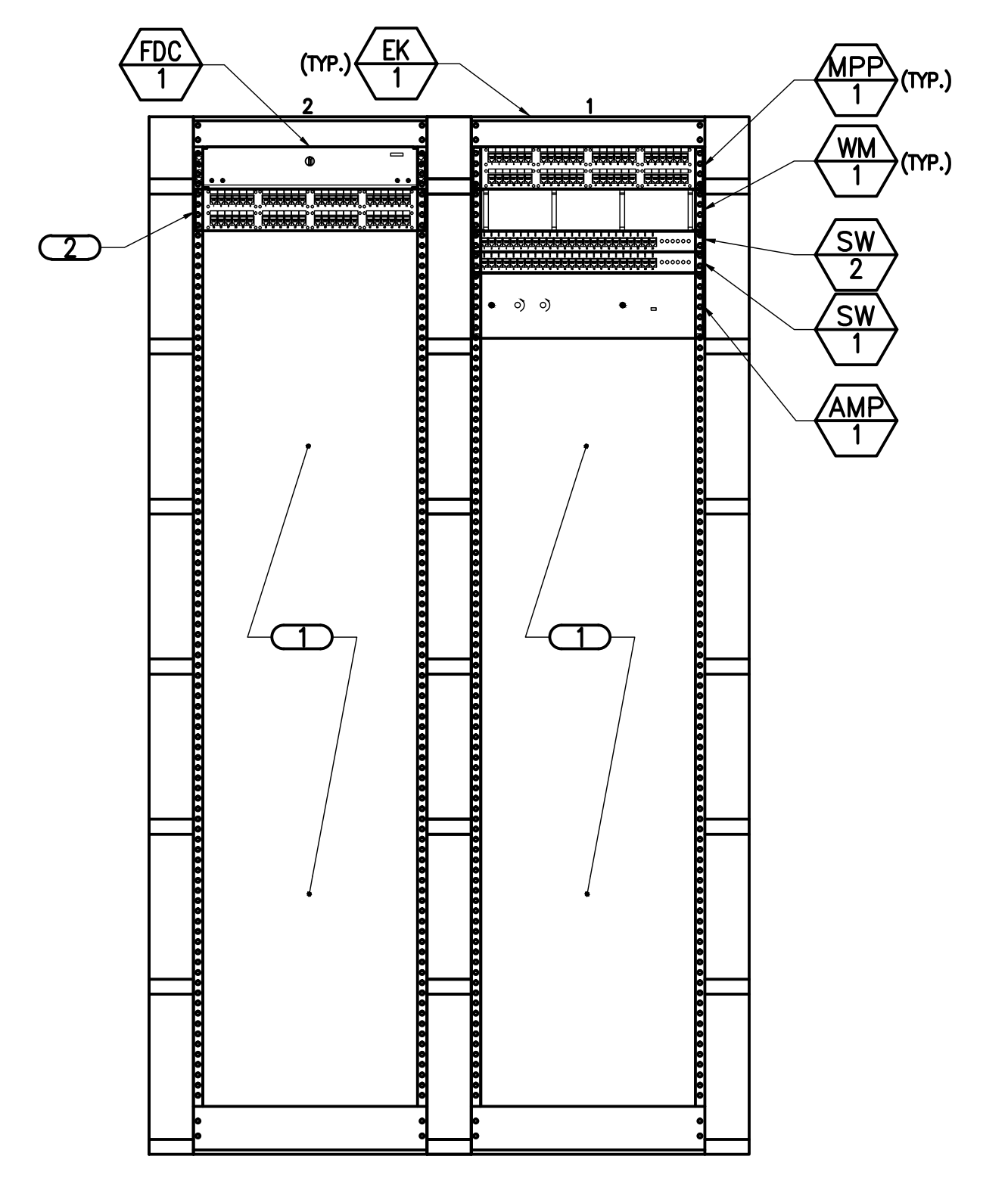
**4 OFFICE OF INFORMATION AND TECHNOLOGY RACK ELEVATION**  
 NO SCALE

- NOTES:**
- REFER TO TN400 FOR TECHNOLOGY RISER DIAGRAM.
- KEYNOTES:**
- 1 SPACE FOR OWNER PROVIDED EQUIPMENT.



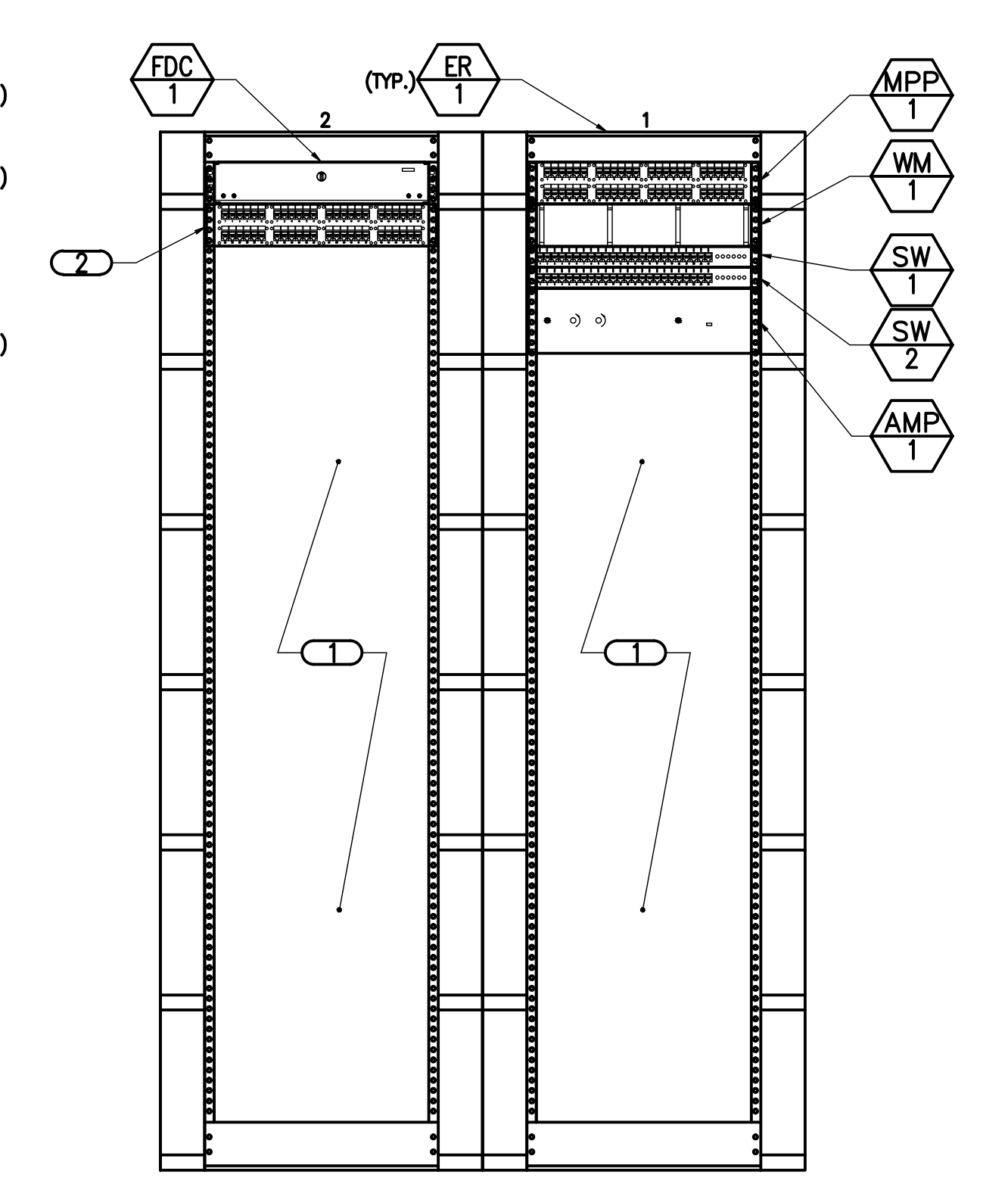
**9 OI + T RACK ELEVATION**  
 NO SCALE

- NOTES:**
- REFER TO 1/TN400 FOR TECHNOLOGY RISER DIAGRAM.
- KEYNOTES:**
- 1 SPACE FOR OWNER PROVIDED EQUIPMENT.



**5 FACILITIES MANAGEMENT SERVICE RACK ELEVATION**  
 NO SCALE

- NOTES:**
- REFER TO TN400 FOR TECHNOLOGY RISER DIAGRAM.
- KEYNOTES:**
- 1 SPACE FOR OWNER PROVIDED EQUIPMENT.
  - 2 TERMINATE FUTURE CCTV CAMERAS TO THIS PANEL.

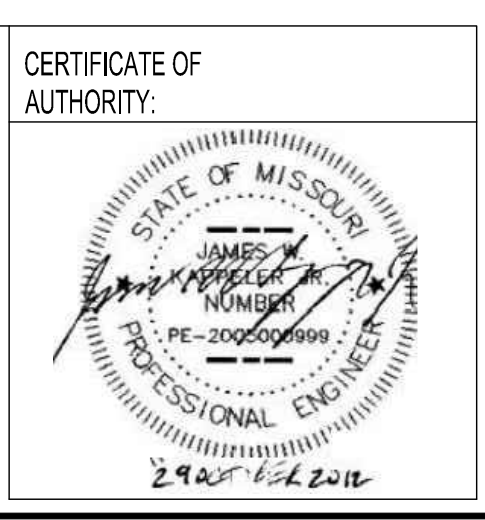


**10 FMS RACK ELEVATION**  
 NO SCALE

- NOTES:**
- REFER TO 1/TN400 FOR TECHNOLOGY RISER DIAGRAM.
- KEYNOTES:**
- 1 SPACE FOR OWNER PROVIDED EQUIPMENT.
  - 2 TERMINATE FUTURE CCTV CAMERAS TO THIS PANEL.

No.	Date	Revisions

CONSULTANTS:	
STRUCTURAL ENGINEER KPFF CONSULTING ENGINEERS 1630 DES PERES ROAD, SUITE 100 ST. LOUIS, MO 63131 PHONE: (314) 635-0524	CODE CONSULTANT/FIRE PROTECTION: CODE CONSULTANTS, INC. 2043 WOODLAND PARKWAY, SUITE 300 ST. LOUIS, MO 63146 PHONE: (314) 991-2633
MECHANICAL/ELECTRICAL/PLUMBING: KJWW ENGINEERING CONSULTANTS #15 SUNSHINE DRIVE, SUITE 104 ST. LOUIS, MO 63143 PHONE: (314) 645-1132	CIVIL ENGINEER: STOKK & ASSOCIATES CONSULTING ENGINEERS, INC. 257 CHESTERFIELD BUSINESS PARKWAY CHESTERFIELD, MO 63005 PHONE: (636) 530-9100
AUTOMATIC TRANSPORT: LERCH BATES INC. 8088 S LINCOLN STREET, SUITE 207 LITTLETON, CO 80122 PHONE: (720) 283-6182	ESTIMATING: KWAME BUILDING GROUP, INC. 1204 WASHINGTON AVENUE, SUITE 200 ST. LOUIS, MO 63103 PHONE: (314) 962-5344
HAZARDOUS MATERIALS: ALTEC ENVIRONMENTAL CONSULTING, LLC P.O. BOX 17867 SHREVEPORT, LA 71138-0867 PHONE: (318) 687-3771	IRRIGATION CONSULTANTS: IRM 9922 BANYON TREE ST. LOUIS, MO 63126 PHONE: (318) 843-1481



**ARCHITECT/ENGINEERS:**

**CHRISTNER**

ARCHITECTS | DESIGNERS | PLANNERS | LANDSCAPE ARCHITECTS

168 N. MERAMEC AVENUE | ST. LOUIS, MISSOURI 63105  
 TEL 314 725 2927 | FAX 314 725 2928 | CHRISTNERINC.COM

THE SEAL (S) AND SIGNATURE(S) APPLY ONLY TO THE DOCUMENT TO WHICH THEY ARE AFFIXED, AND WE EXPRESSLY DISCLAIM ANY RESPONSIBILITY FOR ALL OTHER PLANS, SPECIFICATIONS, ESTIMATES, REPORTS, OR OTHER DOCUMENTS OR INSTRUMENTS RELATING TO OR INTENDED TO BE USED FOR ANY PART OF PARTS OF THE PROJECT.  
 © COPYRIGHT 2012 CHRISTNER INC.

Drawing Title  
**ENLARGED FLOOR PLANS - TECHNOLOGY**

Approved: Project Director

Project Title  
**TENANT BUILDING**

Location  
**JEFFERSON BARRACKS DIVISION**

Date  
 29 OCTOBER 2012

Checked  
 DARHAR

Drawn  
 KEIEVE

Project Number  
**657-313D**

Building Number  
**56**

Drawing Number  
**TN201**

Dwg. 124 of 153

**Office of Construction and Facilities Management**

Department of Veterans Affairs

FULLY SPRINKLERED