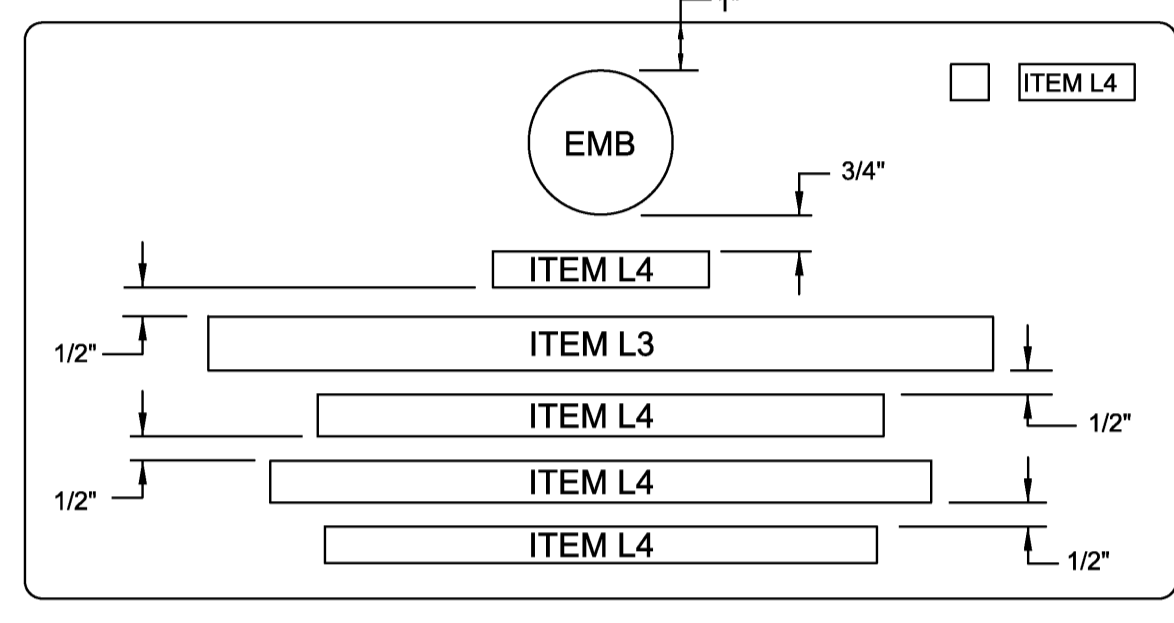
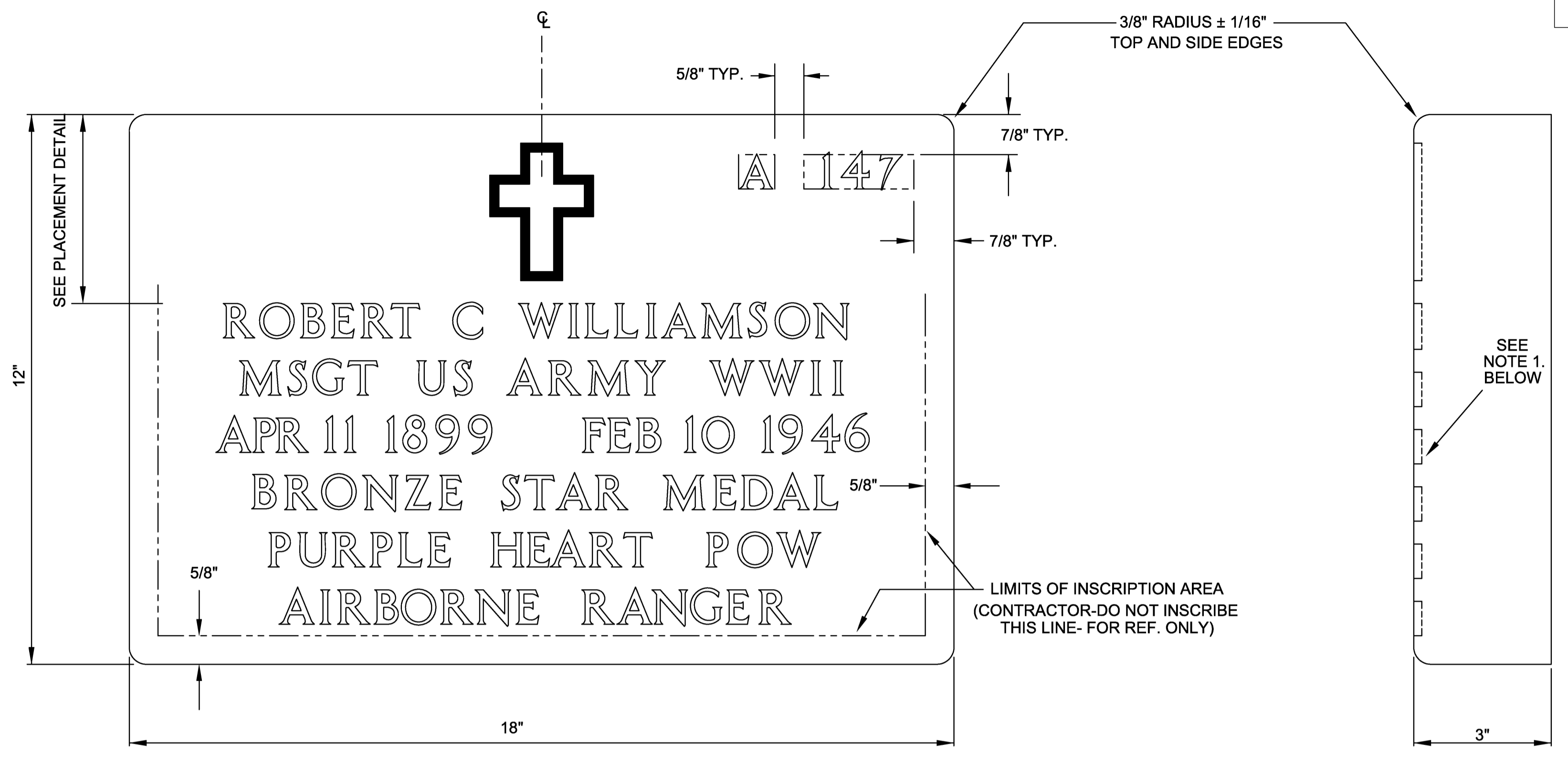


4 LINE INSCRIPTION PLACEMENT AND DETAIL



5 LINE INSCRIPTION PLACEMENT AND DETAIL

MEMORIAL INSCRIPTION
SCALE: 1/4"=1"

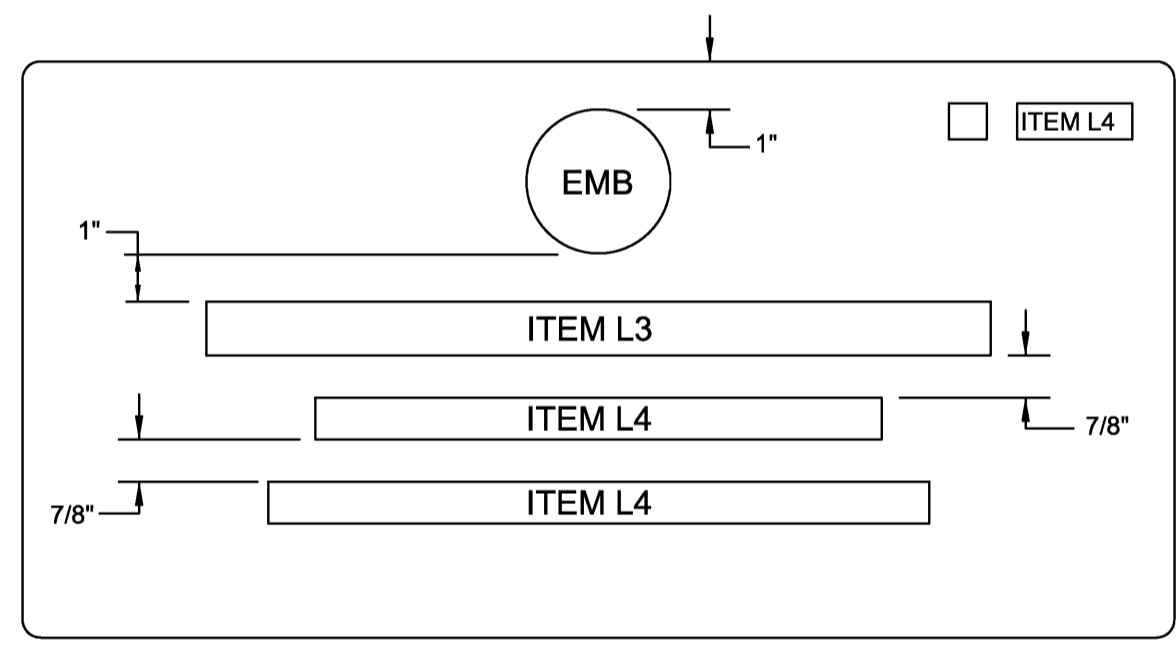


TYPICAL FACE OF STONE
SCALE: 1/2"=1"

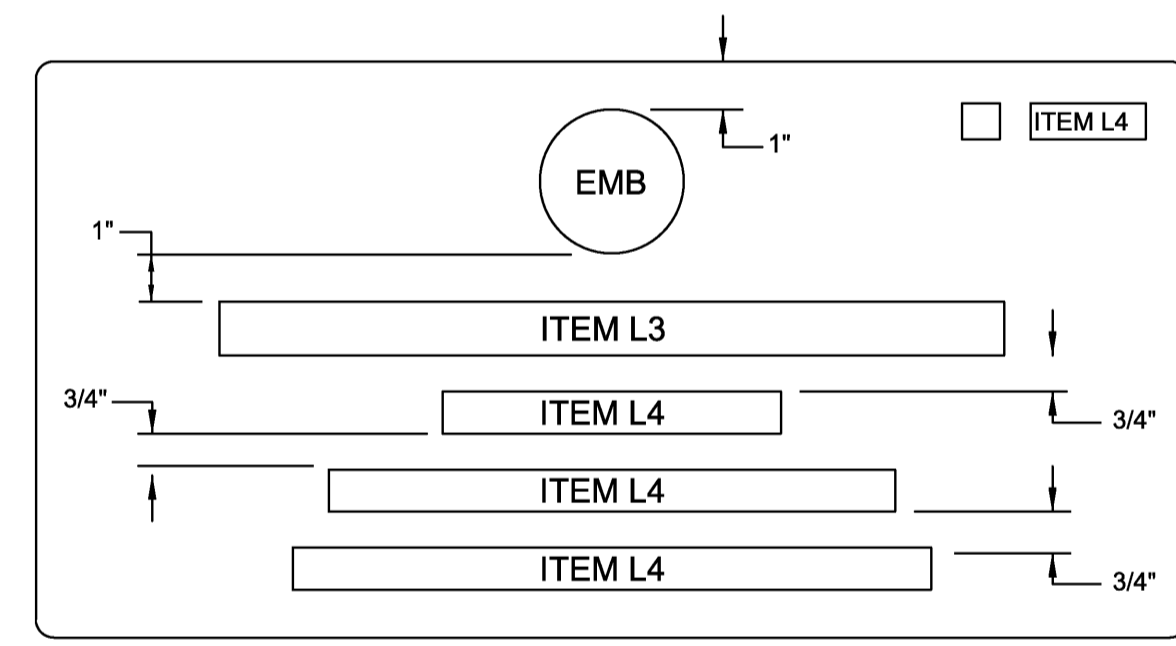
SIDE VIEW

FOR UPRIGHT & FLAT GRANITE HEADSTONES/MARKERS

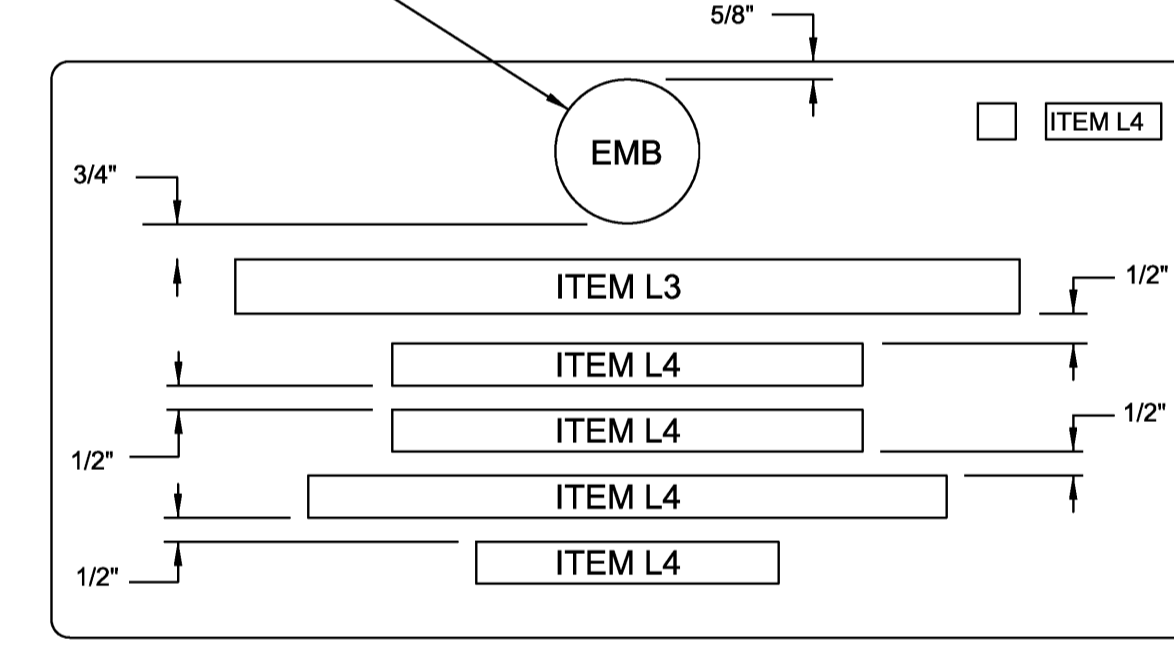
COLOR OF STONE:	N6 OR HIGHER AS JUDGED AGAINST THE MUNSSELL NEUTRAL VALUE SCALE	
LITHOCHROME APPLICATION:	N4 OR LOWER AS JUDGED AGAINST THE MUNSSELL NEUTRAL VALUE SCALE	
INSCRIPTION DEPTHS:	MAXIMUM	MINIMUM
FOR L-1 LETTERS:	9/32"	7/32"
FOR L-3 & L-4 LETTERS:	7/32"	6/32"



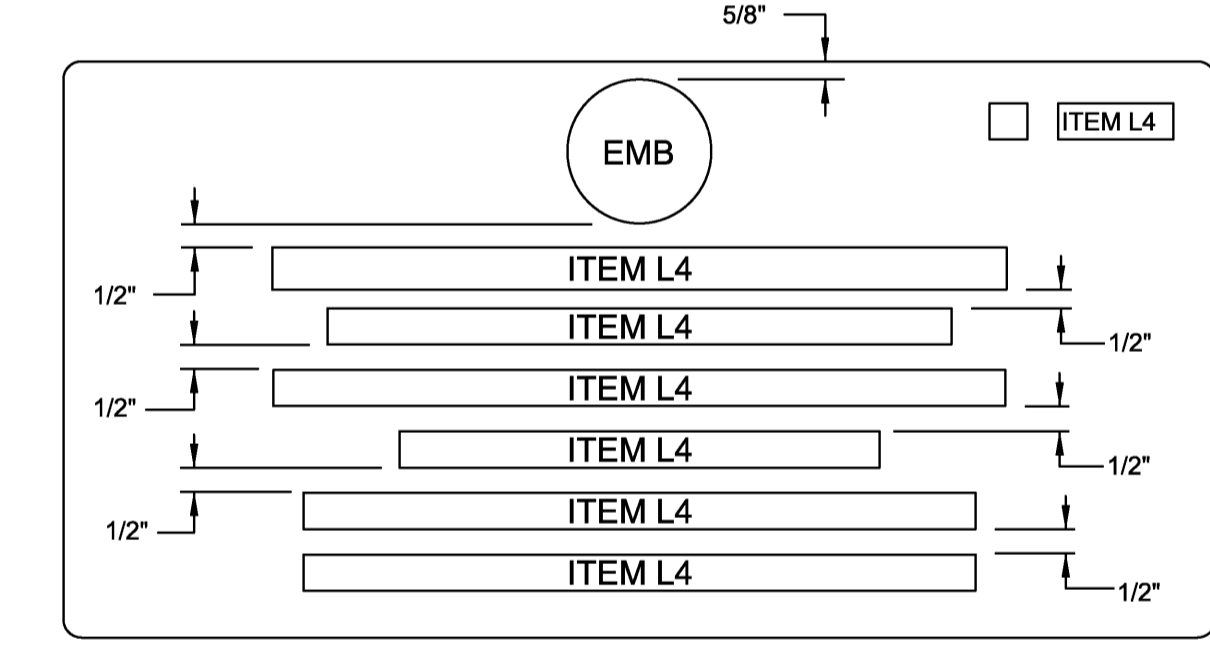
3 LINE INSCRIPTION PLACEMENT AND DETAIL



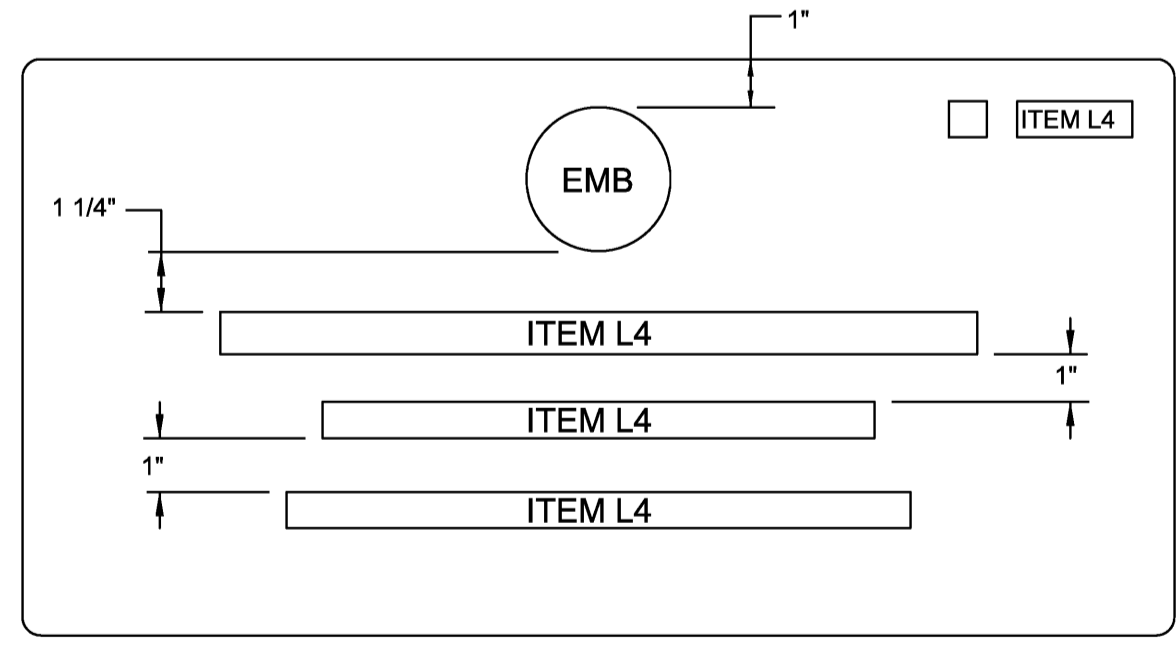
4 LINE INSCRIPTION PLACEMENT AND DETAIL



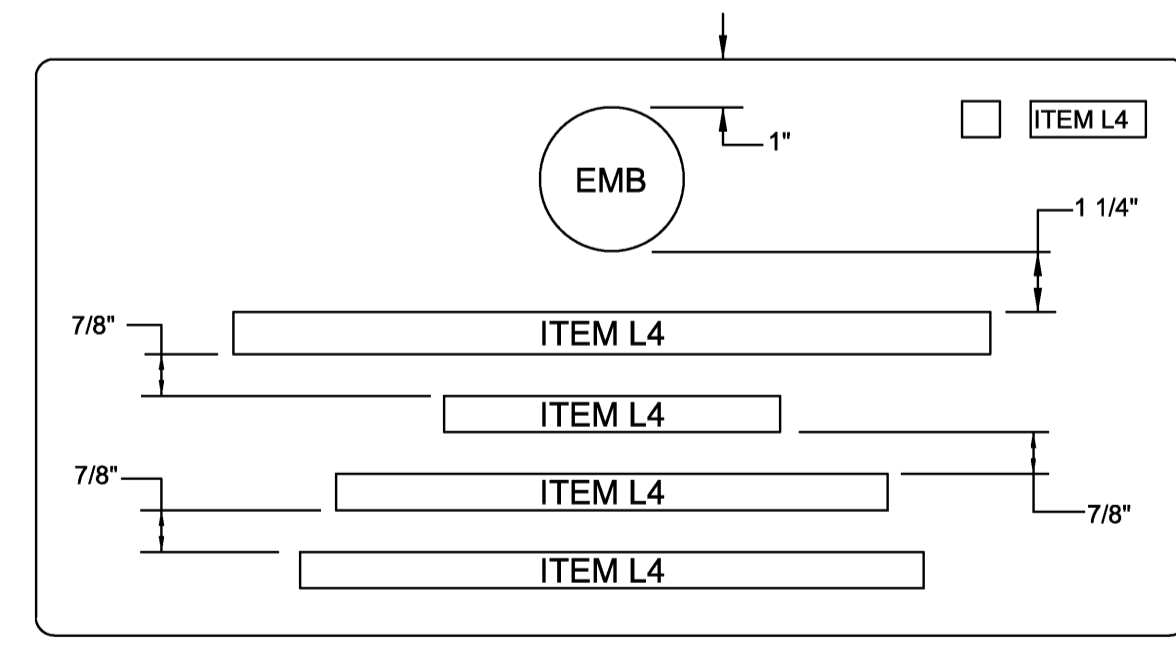
5 LINE INSCRIPTION PLACEMENT AND DETAIL



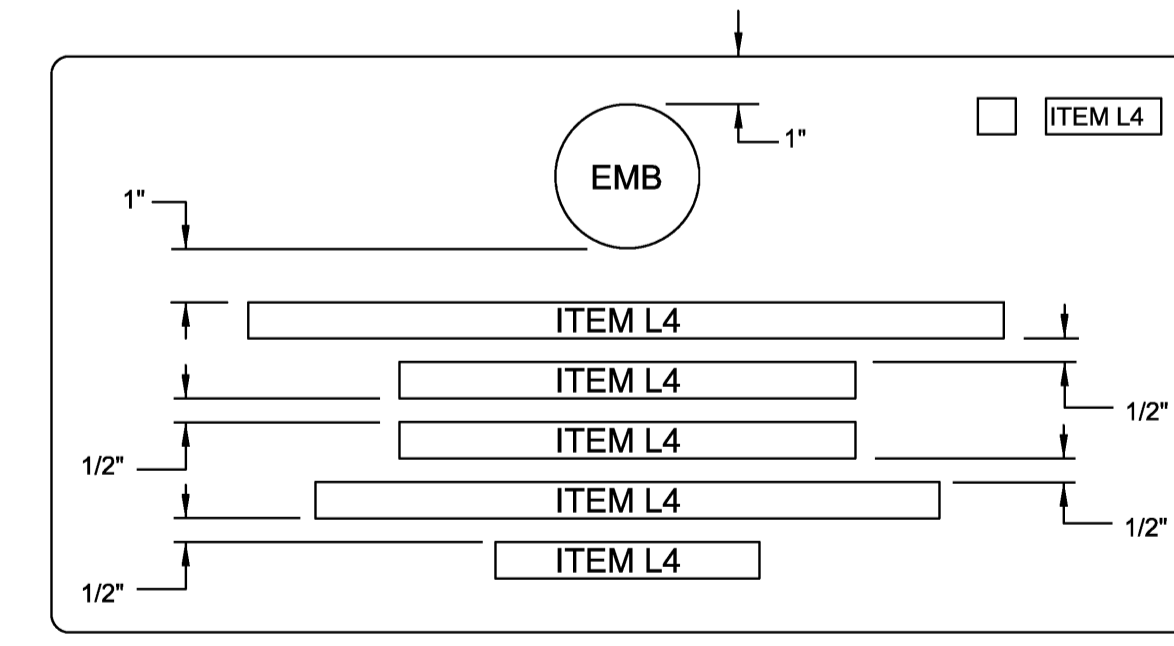
6 LINE INSCRIPTION PLACEMENT AND DETAIL



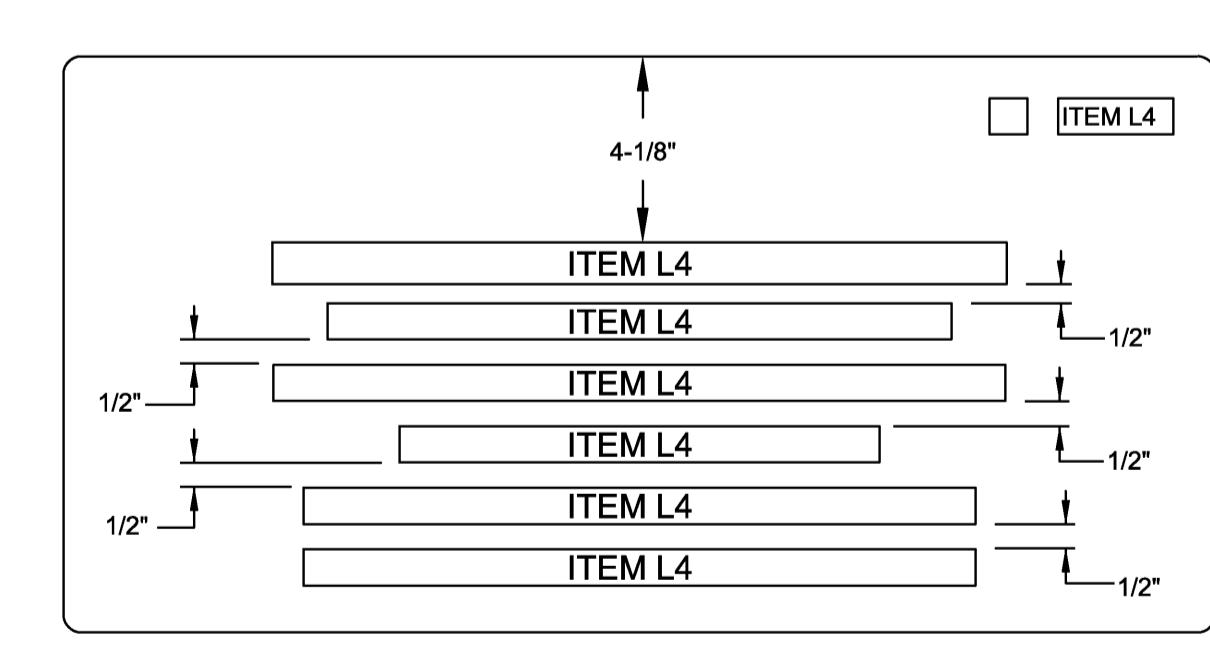
3 LINE INSCRIPTION PLACEMENT AND DETAIL
REDUCED NAME LINE



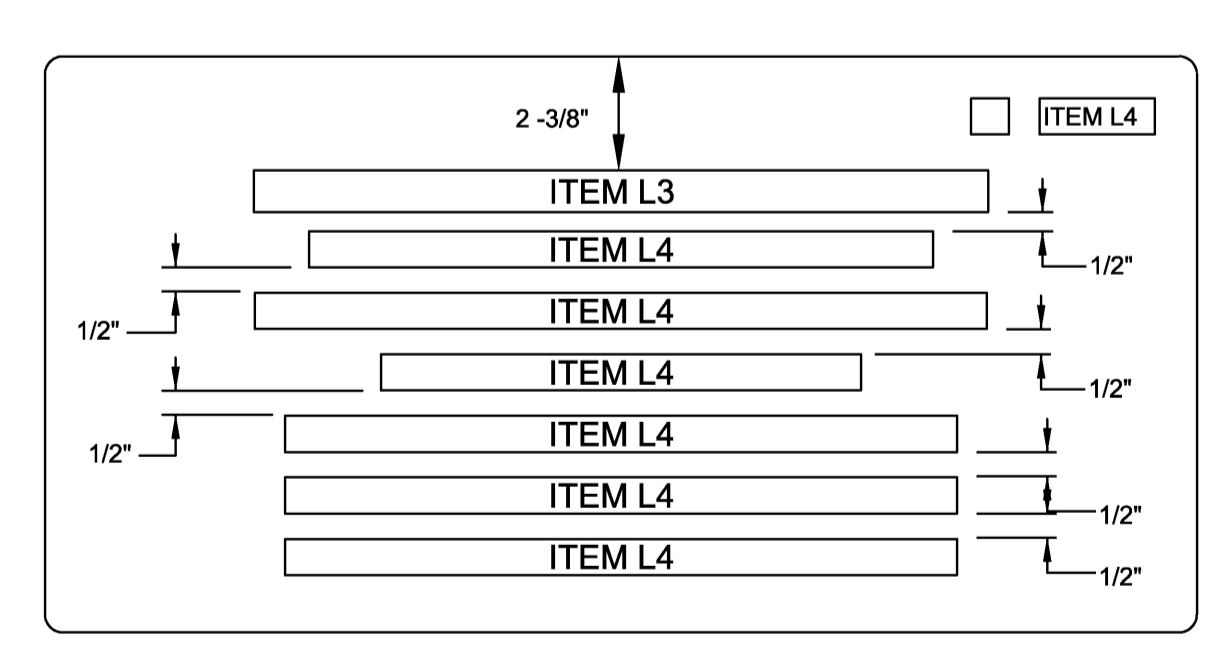
4 LINE INSCRIPTION PLACEMENT AND DETAIL
REDUCED NAME LINE



5 LINE INSCRIPTION PLACEMENT AND DETAIL
REDUCED NAME LINE



6 LINE INSCRIPTION PLACEMENT AND DETAIL
WITHOUT EMBLEM OF BELIEF



7 LINE INSCRIPTION PLACEMENT AND DETAIL
WITHOUT EMBLEM OF BELIEF

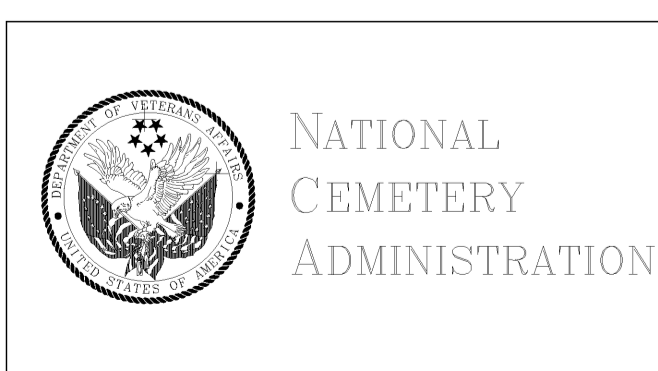
STANDARD INSCRIPTION
SCALE: 1/4"=1"

- GENERAL NOTES:**
- ITEM NUMBER IN INSCRIPTION BLOCK REFER TO SIZE AND EMBLEM OF BELIEF SHOWN ON DRAWING A-LNC&E-1, A-LNC&E-2, AND A-LNC&E-3 DATED 6-5-03
 - EMBLEM OF BELIEF IS OPTIONAL.
 - ALL GRANITE DIMENSIONAL TOLERANCES ARE ± 1/4" UNLESS OTHERWISE SPECIFIED.
 - THE TOP & SIDES SHALL BE FREE OF SCRATCHES, SAW MARKS, CHIPS OR CRACKS. MARKERS TO BE PACKAGED ACCORDING TO CONTRACT SPECIFICATIONS.

- GRANITE SHALL BE STANDARD GRADE, FINE GRAINED MATERIAL AS CLASSIFIED BY THE NATIONAL BUILDING GRANITE QUARRIES ASSOCIATION. GRANITE SHALL ALSO CONFORM TO THE DEFINITION OF GRANITE AS DEFINED BY ASTM C119.
- MARKERS SHALL BE FREE OF CRACKS, SEAMS OR STARTS WHICH MAY IMPAIR ITS INTEGRITY OR READABILITY OF THE INSCRIPTION.
- WHEN TWO (2) EMBLEMS OF BELIEF ARE REQUIRED, THE VETERANS EMBLEM IS PLACED ON THE LEFT SIDE AND DEPENDENT EMBLEM TO THE RIGHT. WHEN THE SECTION AND GRAVESITE NUMBER ARE REQUIRED, THE CENTERLINE OF THE RIGHT EMBLEM SHALL BE 1 3/4" FROM THE SECTION CHARACTER AND THE LEFT EMBLEM IS TO MOVE AN EQUAL OPPOSITE DISTANCE.

CONVERSION TABLE

ENGLISH U.S. STANDARD	METRIC	ENGLISH U.S. STANDARD	METRIC
42"	106.68 cm	2"	5.08 cm
24"	60.96 cm	1 5/8"	4.13 cm
14 1/2"	36.83 cm	1"	2.54 cm
13"	33.02 cm	3/4"	1.90 cm
4"	10.16 cm	5/8"	1.59 cm
3"	7.62 cm	1/2"	1.27 cm
2 1/2"	6.35 cm	1/4"	.64 cm



Drawing Title
SMALL FLAT GRANITE MARKER
12" X 18" X 3"

Approved: Director, Memorial Programs Service
Signed

Approved: Chief of Operations, Memorial Programs Service
Signed

Project Title
GOVERNMENT HEADSTONES AND MARKERS

Date
06-05-03

Project/Contract No.
V786P 530

Marker Type
L1

Checked
DURHAM & ASSOC.

Drawn
DURHAM & ASSOC.

Location

Digital File
A-L1.DWG 24" x 36" SHEET

DRAWING NO.
A-L1

Sheet 1 of 1

Revises	SUPERSEDES DRAWING MFG-4A DATED 7-12-96	Date	6/5/03
---------	--	------	--------