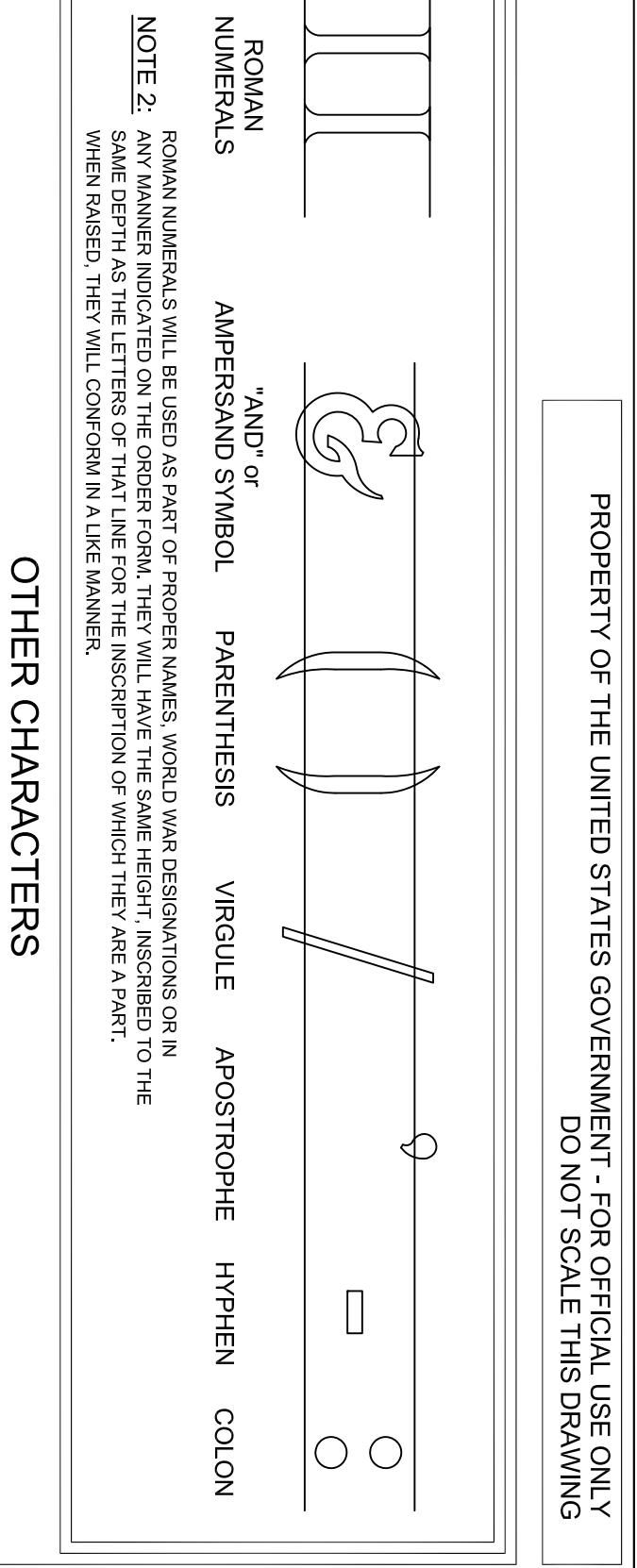
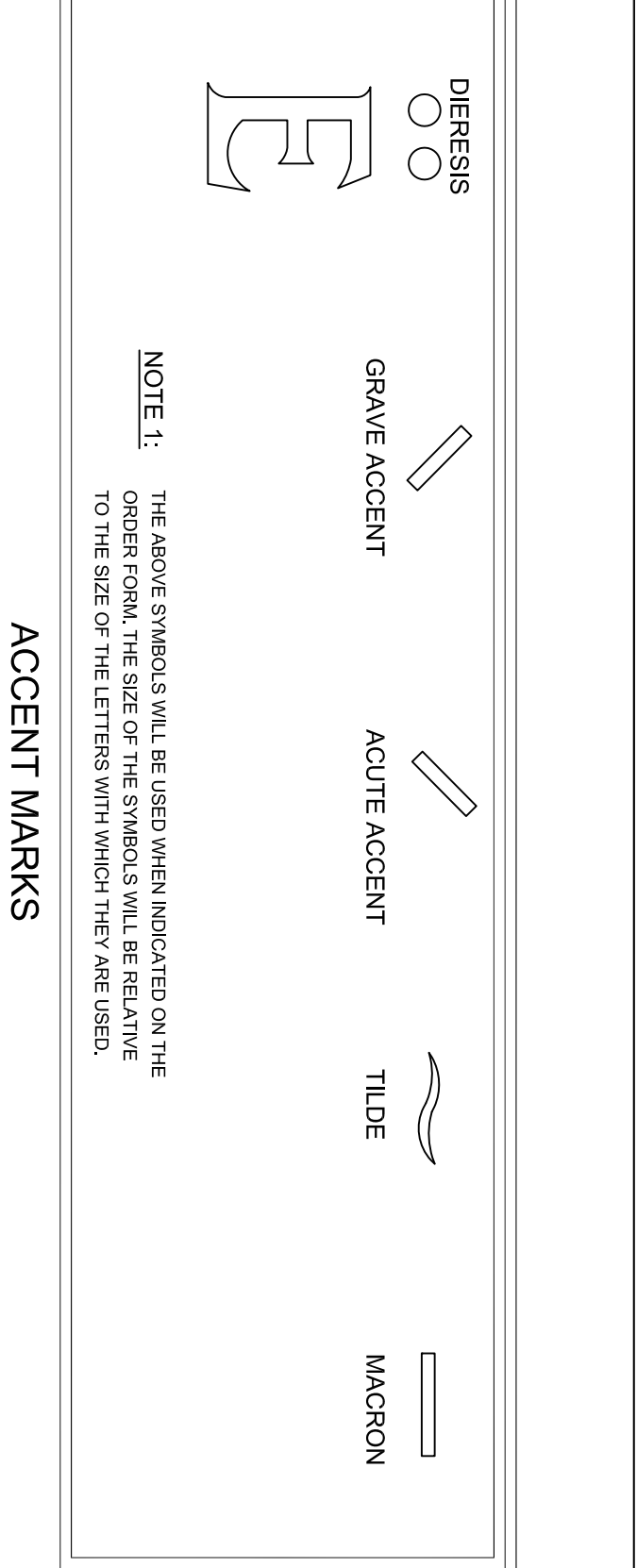
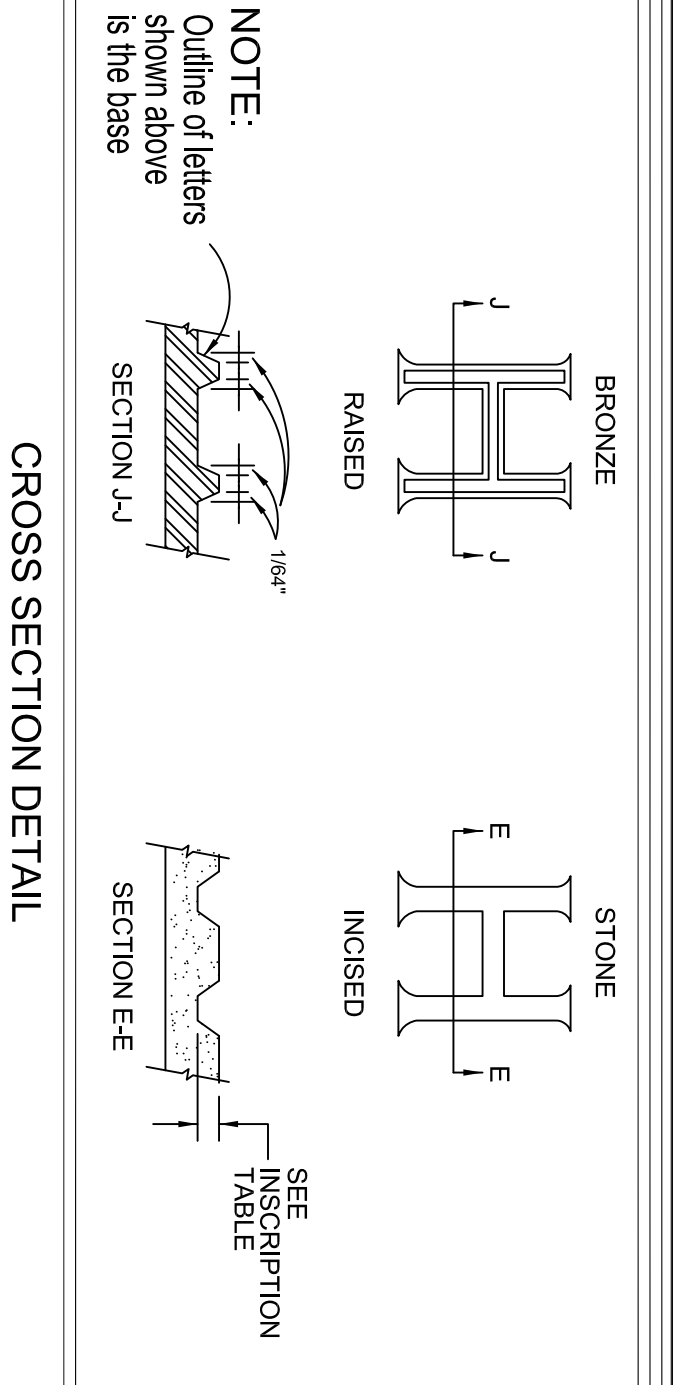
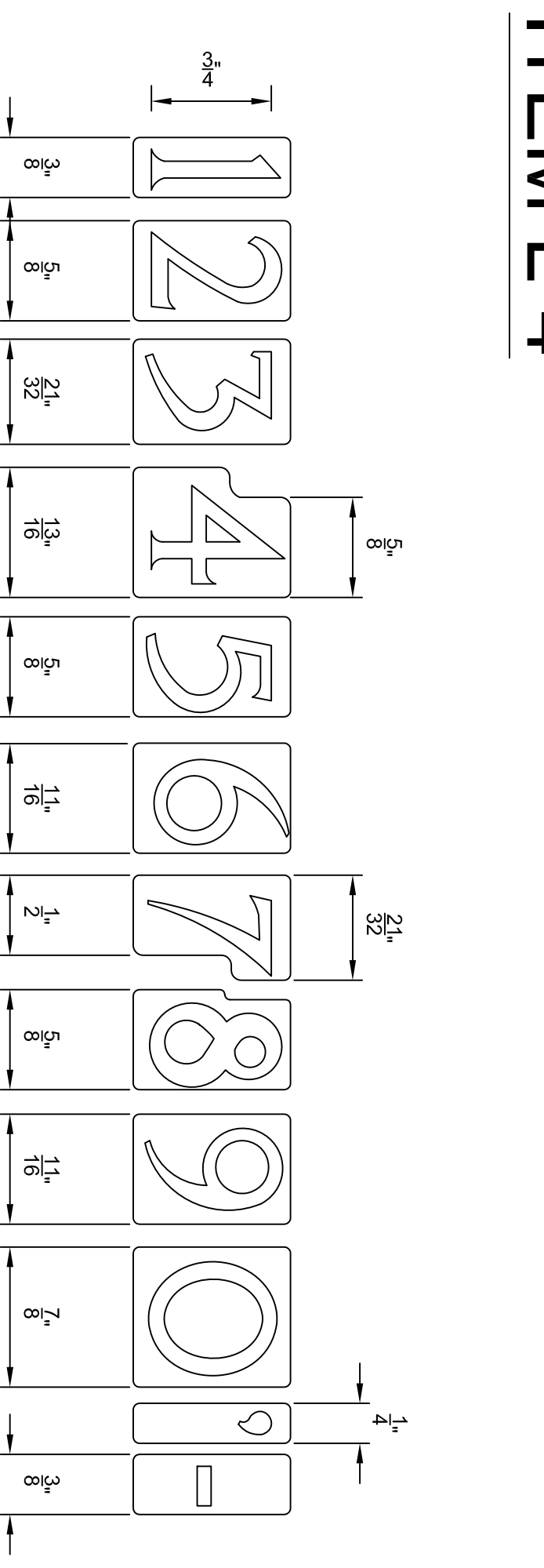
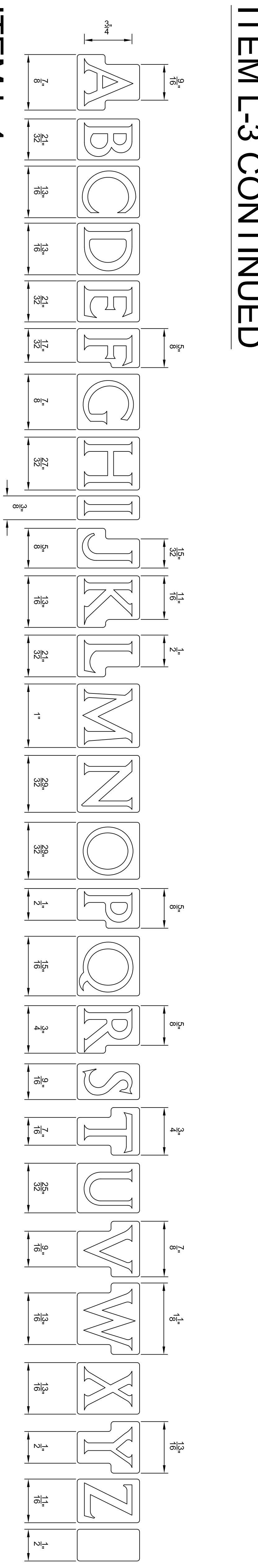
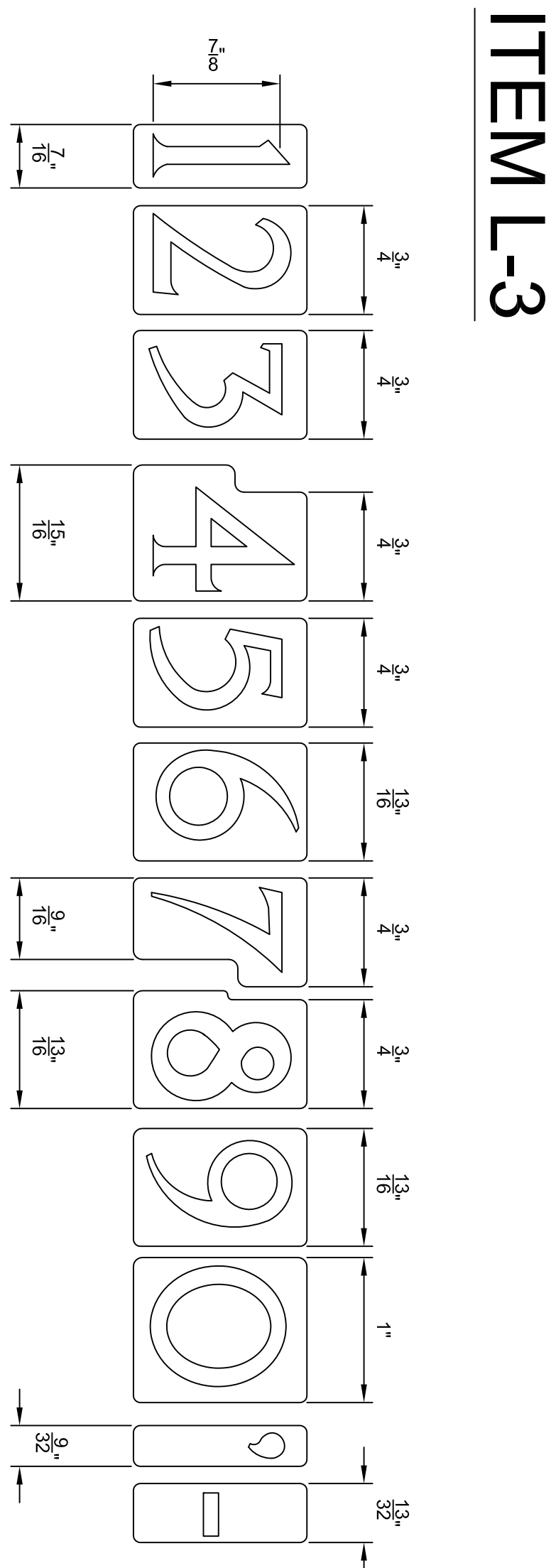
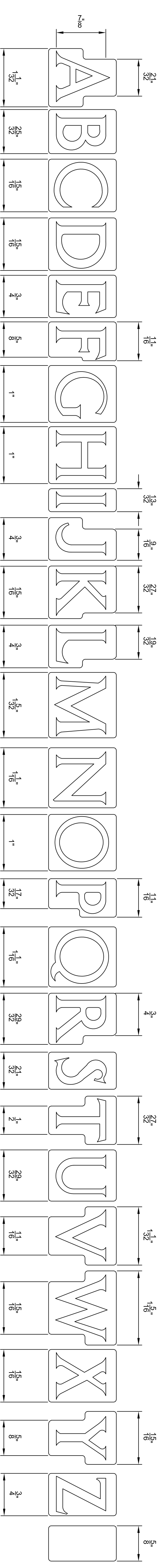


DRAWING LOCATION	ITEM NAME AND LETTER HEIGHT							EMBLEM
	MARKER TYPE	L1	L2	L3	L4	L5	L6	
A4-B1	1-1/8"	1"	7/8"	3/4"	7/16"	3/8"	5/8"	2" OR 3"
A4-F1	NA	NA	3/32"	NA	NA	NA	NA	3/32"
A4-G1/U1/L1	6/32" - 8/32"	NA	NA	4/32" - 6/32"	4/32" - 6/32"	NA	NA	6/32" - 8/32"
A4-M1/U1/L1	7/32" - 8/32"	NA	NA	6/32" - 7/32"	6/32" - 7/32"	NA	NA	7/32" - 8/32"
A4-N1/U1/L1	NA	NA	NA	NA	NA	NA	NA	NA
A4-O1/U1/L1	NA	NA	NA	NA	NA	NA	NA	NA
A4-P1/U1/L1	NA	NA	NA	NA	NA	NA	NA	NA
A4-Q1/U1/L1	NA	NA	NA	NA	NA	NA	NA	NA
A4-R1/U1/L1	NA	NA	NA	NA	NA	NA	NA	NA
A4-S1/U1/L1	NA	NA	NA	NA	NA	NA	NA	NA
A4-T1/U1/L1	NA	NA	NA	NA	NA	NA	NA	NA
A4-U1/U1/L1	NA	NA	NA	NA	NA	NA	NA	NA
A4-V1/U1/L1	NA	NA	NA	NA	NA	NA	NA	NA
A4-W1/U1/L1	NA	NA	NA	NA	NA	NA	NA	NA
A4-X1/U1/L1	NA	NA	NA	NA	NA	NA	NA	NA
A4-Y1/U1/L1	NA	NA	NA	NA	NA	NA	NA	NA
A4-Z1	NA	NA	NA	NA	NA	NA	NA	NA

NOTE: AS OF JUNE 13, 2016 THE DEPTHS SPECIFIED BY BOLD BORDERS SUPERSEDE DEPTHS WHICH WERE PREVIOUSLY SPECIFIED AND MUST BE FOLLOWED IN LIEU OF DEPTHS SHOWN IN DRAWINGS RELATED TO SPECIFIC MONUMENT TYPES.

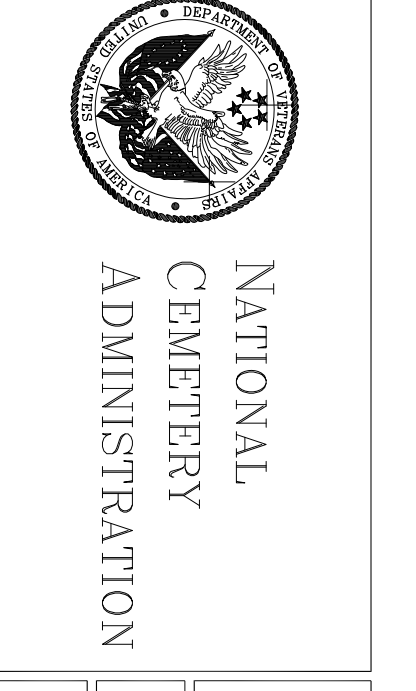
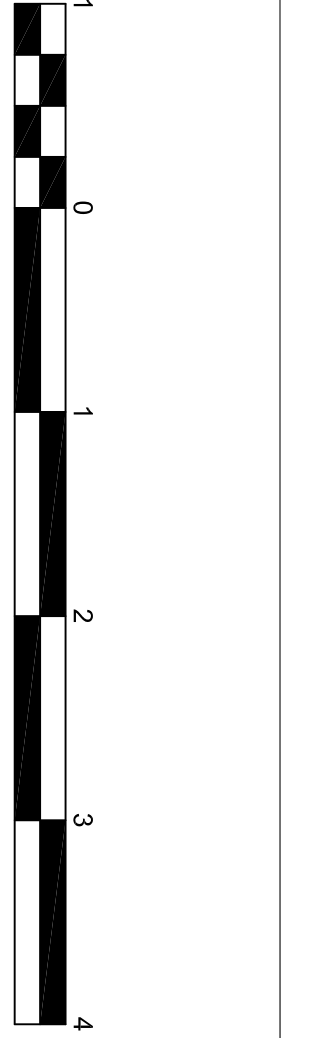


PROPERTY OF THE UNITED STATES GOVERNMENT - FOR OFFICIAL USE ONLY
DO NOT SCALE THIS DRAWING



GENERAL NOTES

1. THE MINIMUM SIZE FOR ALL MARBLE AND GRANITE INSCRIPTIONS IS 4/32". ANY PART OF ANY INSCRIPTION NOT MEETING THE MINIMUM WILL BE SUBJECT TO REJECTION.
2. MARBLE AND GRANITE INSCRIPTIONS SHOULD BE SET IN A CONCRETE BED. THE MINIMUM THICKNESS OF THE CONCRETE BED SHALL BE 1/2" FOR MARBLE AND 3/4" FOR GRANITE. THE MINIMUM WIDTH OF THE CONCRETE BED SHALL BE 1/2" FOR MARBLE AND 3/4" FOR GRANITE. THE MINIMUM SPACING BETWEEN INSCRIPTIONS SHALL BE 1/2".
3. USE ONLY MARBLE OR GRANITE WHICH IS QUANTITATIVELY AVAILABLE TO PREVENT FLOAVOUT.



NATIONAL CEMETERY ADMINISTRATION

<p>Project Title: LETTERS, FONTS, NUMBERS & OTHER CHARACTERS</p>	<p>Project Title: GOVERNMENT HEADSTONES, MARKERS, AND NICHE COVERS</p>	<p>Date: JUNE 13, 2016</p>
<p>Approved: Director, Memorial Programs Service Signed: _____</p>	<p>Checked: _____ Keeks</p>	<p>Drawing No: A-LFN&OC-2</p>
<p>Approved: Chief of Operations, Memorial Programs Service Signed: _____</p>	<p>Drawn: _____ Stoner</p>	<p>Sheet: 2 of 3</p>
<p>Digital File: A-LFN&OC-2.DWG 24" x 36" SHEET</p>		