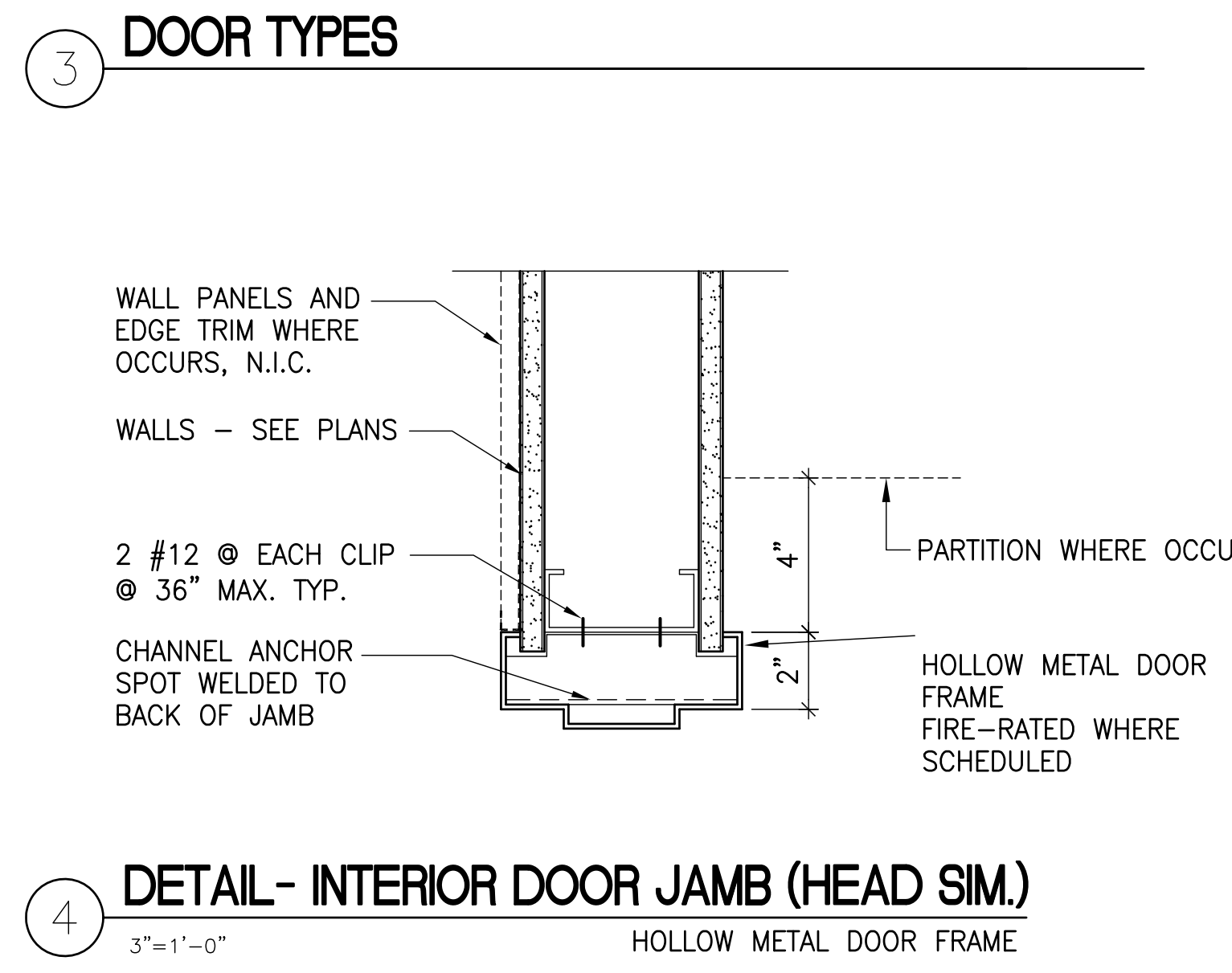
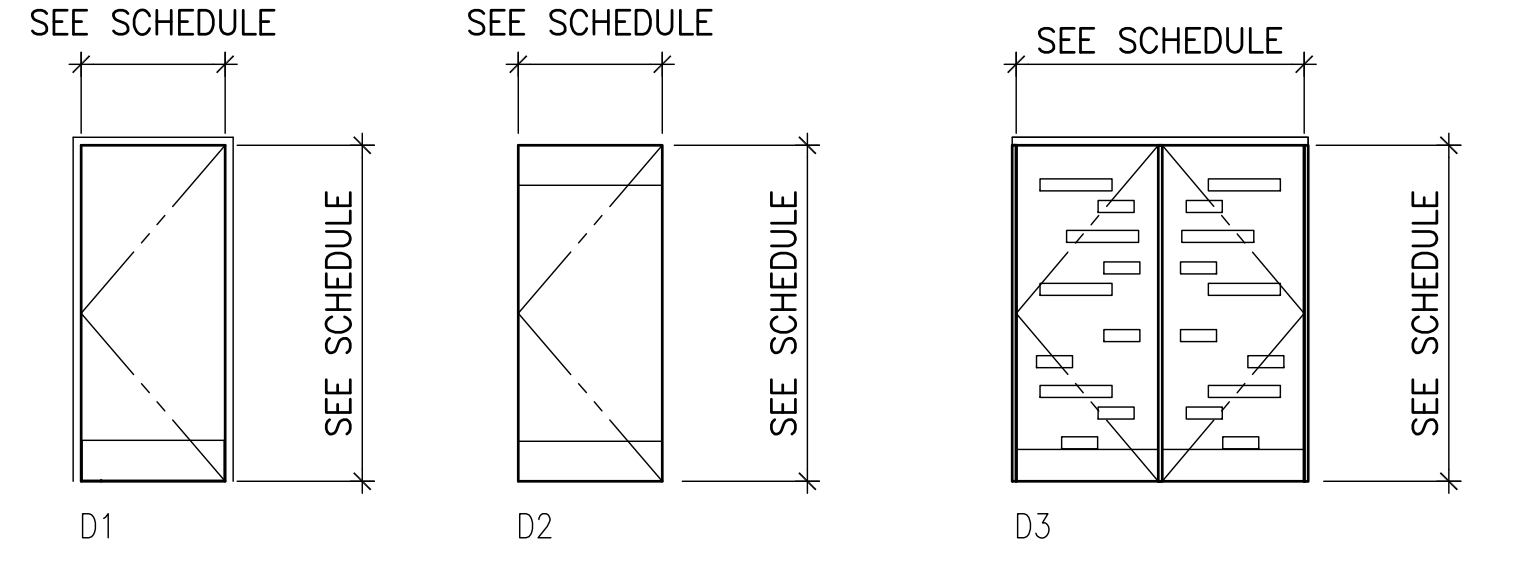
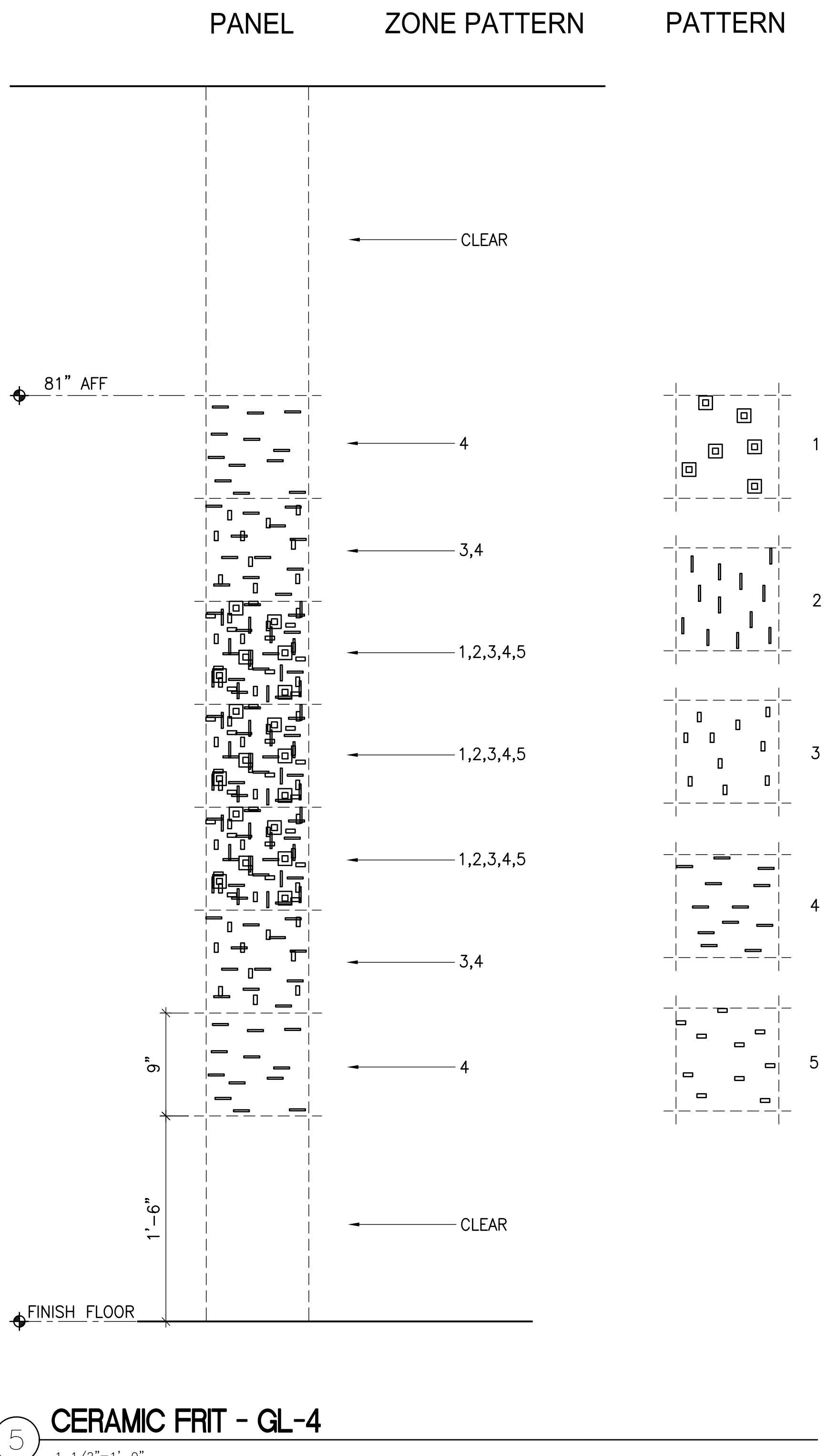


three inches = one foot
 one and one half inches = one foot
 one inch = one foot
 one and one half inches = one foot
 one inch = one foot
 one and one half inches = one foot
 three quarters inch = one foot
 one half inch = one foot
 one quarter inch = one foot
 one eighth inch = one foot
 one quarter inch = one foot
 one eighth inch = one foot
 one quarter inch = one foot
 one eighth inch = one foot
 one quarter inch = one foot
 one eighth inch = one foot



DOOR SCHEDULE

MARK	RM #	ROOM or SPACE	TYPE	PAIR	DOOR SIZES		DOOR PANEL		FRAME		HARDWARE SET	COMMENTS
					WIDTH	HEIGHT	PANEL MATERIAL	FINISH	FRAME MATERIAL	FRAME FINISH		
120	120	HALLWAY	D3	YES	3'-0"	9'-0"	WD/ GL-7	ST-1	HM	PT	HW-6	OPEN SMOKE BARRIER, REMOVABLE MULLION
121	121	TELECOM	D2	NO	3'-0"	7'-0"	WD	ST-1	HM	PT	HW-3	SMOKE BARRIER
122	122	CONFERENCE	D1	NO	3'-0"	9'-0"	ALUM / GL	-	ALUM	PT	HW-1	SMOKE BARRIER
123	123	TEAM	D1	NO	3'-0"	9'-0"	ALUM / GL	-	-	-	HW-1	GLASS TRANSOM
124	124	ELECT	D2	NO	3'-0"	7'-0"	WD	ST-1	HM	PT	HW-3	SMOKE BARRIER
125	125	MEN	D2	NO	3'-0"	7'-0"	WD	ST-1	HM	PT	HW-4	SMOKE BARRIER
126	126	WOMEN	D2	NO	3'-0"	7'-0"	WD	ST-1	HM	PT	HW-4	SMOKE BARRIER
128A	128	REPROGRAPHIC	D2	NO	3'-0"	7'-0"	WD	ST-1	HM	PT	HW-5	
128B	128	REPROGRAPHIC	D2	NO	3'-0"	7'-0"	WD	ST-1	HM	PT	HW-5	
131	131	STORAGE	D2	NO	3'-0"	7'-0"	WD	ST-1	HM	PT	HW-3	
136	136	CIRCULATION	D2	NO	3'-0"	7'-0"	HM	PT-1	HM	PT	HW-2	ACCESS CONTROL
142	142	OFFICE	D1	NO	3'-0"	9'-0"	ALUM / GL	GL-4	-	-	HW-1	
143	143	OFFICE	D1	NO	3'-0"	9'-0"	ALUM / GL	GL-4	-	-	HW-1	
144A	144	COPY / FILE	D1	NO	3'-0"	9'-0"	ALUM / GL	GL-4	-	-	HW-1	
144B	144	COPY / FILE	D1	NO	3'-0"	9'-0"	ALUM / GL	GL-4	-	-	HW-1	
145	145	OFFICE	D1	NO	3'-0"	9'-0"	ALUM / GL	GL-4	-	-	HW-1	
146	146	OFFICE	D1	NO	3'-0"	9'-0"	ALUM / GL	GL-4	-	-	HW-1	
147	147	OFFICE	D1	NO	3'-0"	9'-0"	ALUM / GL	GL-4	-	-	HW-1	
148	148	OFFICE	D1	NO	3'-0"	9'-0"	ALUM / GL	GL-4	-	-	HW-1	

1 FIRST FLOOR - DOOR SCHEDULE

DOOR SCHEDULE

MARK	RM #	ROOM or SPACE	TYPE	PAIR	DOOR SIZES		DOOR PANEL		FRAME		HARDWARE SET	COMMENTS
					WIDTH	HEIGHT	PANEL MATERIAL	FINISH	FRAME MATERIAL	FRAME FINISH		
220	220	HALLWAY	D3	YES	3'-0"	9'-0"	WD/ GL-7	ST-1	HM	PT	HW-6	OPEN SMOKE BARRIER, REMOVABLE MULLION
221	221	TELECOM	D2	NO	3'-0"	7'-0"	WD	ST-1	HM	PT	HW-3	SMOKE BARRIER
222	222	CONFERENCE	D1	NO	3'-0"	9'-0"	ALUM / GL	-	ALUM	PT	HW-1	SMOKE BARRIER
223	223	TEAM	D1	NO	3'-0"	9'-0"	ALUM / GL	-	-	-	HW-1	GLASS TRANSOM
224	224	ELECT	D2	NO	3'-0"	7'-0"	WD	ST-1	HM	PT	HW-3	SMOKE BARRIER
225	225	MEN	D2	NO	3'-0"	7'-0"	WD	ST-1	HM	PT	HW-4	SMOKE BARRIER
226	226	WOMEN	D2	NO	3'-0"	7'-0"	WD	ST-1	HM	PT	HW-4	SMOKE BARRIER
228A	228	REPROGRAPHIC	D2	NO	3'-0"	7'-0"	WD	ST-1	HM	PT	HW-5	
228B	228	REPROGRAPHIC	D2	NO	3'-0"	7'-0"	WD	ST-1	HM	PT	HW-5	
231	231	STORAGE	D2	NO	3'-0"	7'-0"	WD	ST-1	HM	PT	HW-3	
236	236	CIRCULATION	D2	NO	3'-0"	7'-0"	HM	PT-1	HM	PT	HW-2	ACCESS CONTROL
242	242	OFFICE	D1	NO	3'-0"	9'-0"	ALUM / GL	GL-4	-	-	HW-1	
243	243	OFFICE	D1	NO	3'-0"	9'-0"	ALUM / GL	GL-4	-	-	HW-1	
244A	244	COPY / FILE	D1	NO	3'-0"	9'-0"	ALUM / GL	GL-4	-	-	HW-1	
244B	244	COPY / FILE	D1	NO	3'-0"	9'-0"	ALUM / GL	GL-4	-	-	HW-1	
245	245	OFFICE	D1	NO	3'-0"	9'-0"	ALUM / GL	GL-4	-	-	HW-1	
246	246	OFFICE	D1	NO	3'-0"	9'-0"	ALUM / GL	GL-4	-	-	HW-1	
247	247	OFFICE	D1	NO	3'-0"	9'-0"	ALUM / GL	GL-4	-	-	HW-1	
248	248	OFFICE	D1	NO	3'-0"	9'-0"	ALUM / GL	GL-4	-	-	HW-1	

2 SECOND FLOOR - DOOR SCHEDULE

<p>CONSULTANTS:</p> <p>SYSKA HENNESSY GROUP A member company of SH Group, Inc. Syska Hennessy Group, Inc. 425 California Street Suite 700 San Francisco, CA 94104 Tel: 415.288.9060 Fax: 415.835.0385 www.syska.com</p>	<p>Stamp and Signature</p> <p>PAUL W. POWERS LICENSED ARCHITECT C-29713 EXPIRES 12/31/2015 STATE OF CALIFORNIA</p>	<p>ARCHITECT/ENGINEERS:</p> <p>KPA ENGINEERS ARCHITECTS ONE KAISER PLAZA SUITE 445 OAKLAND CALIFORNIA 94612 TEL 510.271.6701 FAX 510.271.6707 THE KPA GROUP ©THE KPA GROUP 2014 KPA Project No. 582.00</p>	<p>Drawing Title</p> <p>DOOR SCHEDULE</p>	<p>Project Title</p> <p>ESTABLISH SUNNYVALE R AND D CAMPUS</p>	<p>Project Number</p> <p>640-397</p>	<p>Building Number</p> <p>1002</p>	<p>Office of Construction and Facilities Management</p> <p>VAPAHC Veterans Affairs Palo Alto Health Care System</p>												
<p>Revisions:</p> <table border="1"> <tr><th>No.</th><th>Description</th><th>Date</th></tr> <tr><td> </td><td> </td><td> </td></tr> <tr><td> </td><td> </td><td> </td></tr> <tr><td> </td><td> </td><td> </td></tr> </table>	No.	Description	Date										<p>Approved Project Director</p> <p>-</p> <p>VAPAHC PLANNING AND ENGINEERING</p>	<p>Location</p> <p>1080 INNOVATION WAY, SUNNYVALE, CA 94085</p>	<p>Drawing Number</p> <p>AE800</p>	<p>Date</p> <p>11/25/2014</p>	<p>Checked</p> <p>PWP</p>	<p>Drawn</p> <p>KPA TEAM</p>	<p>Dwg of</p> <p> </p>
No.	Description	Date																	

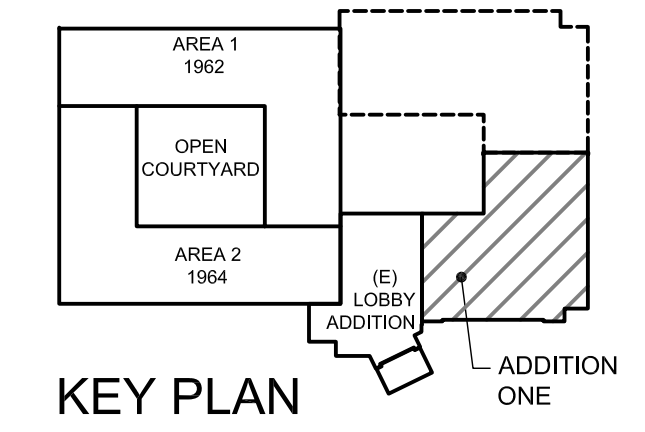
three inches = one foot
 one and one half inches = one foot
 one inch = one foot
 one inch = one foot
 one inch = one foot
 three quarters inch = one foot
 one half inch = one foot
 one half inch = one foot
 one quarter inch = one foot
 one quarter inch = one foot
 one eighth inch = one foot
 one eighth inch = one foot
 one eighth inch = one foot

ROOM CODE	ROOM or SPACE	FINISH SCHEDULE						COMMENTS
		FLOOR MATERIAL	BASE	WALLS			CEILING MATERIAL	
				NORTH	EAST	SOUTH	WEST	
220	HALLWAY	CPT-1	RB-1	PT-3	PT-3 / GL-4	---	PT-3	AT-5
221	TELECOM	RT-2	RB-1	PT-2	PT-2	PT-2	PT-2	EXPOSED-PT-2
222	CONFERENCE	CPT-1	RB-1	PT-3 / GL-5	PT-3	PT-3 / GL-4	PT-3 / GL-4	AT-2 / GWB-PT
223	TEAM	CPT-1	RB-1	PT-3 / GL-4	PT-3	PT-3 / GL-5	PT-3 / GL-4	AT-2 / GWB-PT
224	ELECTRICAL ROOM	RT-2	RB-1	PT-2	PT-2	PT-2	PT-2	EXPOSED-PT-2
225	MEN	CT-1	CT-1	CT-2/3	CT-2/3	CT-2/3	CT-2/3	GWB-PT CT @ SINK
226	WOMEN	CT-1	CT-1	CT-2/3	CT-2/3	CT-2/3	CT-2/3	GWB-PT CT @ SINK
227	ALCOVE	CT-1	CT-1	PT-3	---	PT-3	PT-3 / CT-5	GWB-PT CT ON WALL WITH DRINKING FOUNTAIN
228	REPROGRAPHIC	CPT-1	RB-1	PT-3 / GL-6	PT-3	PT-3	PT-3	AT-2
230	FILE	CPT-1	RB-1	---	PT-3	PT-3	PT-3	EXPOSED-PT-1
231	STORAGE	RF-1	RB-1	PT-2	PT-2	PT-2	PT-2	EXPOSED-PT-2
232	OPEN OFFICE	CPT-1	RB-1	---	---	PT-3	PT-3	EXPOSED-PT-1
234	COFFEE	CT-4	CT-4	---	PT-3	GL-6 / S1	PT-3	GWB-PT / AT-5
235	COMPUTER AREA	CPT-1	RB-1	---	---	---	---	AT-5 / EXPOSED-PT-1
237	OPEN OFFICE	CPT-1	RB-1	---	---	PT-3	PT-3	EXPOSED-PT-1
241	BOOTH	CPT-1	RB-1	---	PT-3	---	PT-3	AT-2
242	OFFICE	CPT-1	RB-1	PT-3	PT-3	---	PT-3	AT-2
243	OFFICE	CPT-1	RB-1	GL-4	PT-3	PT-3	PT-3	AT-2
244	COPY / FILE	CPT-1	RB-1	GL-4	PT-3	GL-4	PT-3	AT-2
245	OFFICE	CPT-1	RB-1	PT-3	PT-3	GL-4	PT-3	AT-2
246	OFFICE	CPT-1	RB-1	GL-4	PT-3	PT-3	PT-3	AT-2
247	OFFICE	CPT-1	RB-1	PT-3	PT-3	GL-4	PT-3	AT-2
248	OFFICE	CPT-1	RB-1	GL-4	PT-3	PT-3	PT-3	AT-2
251	OPEN OFFICE	CPT-1	RB-1	PT-3	PT-3	GL-4	PT-3	EXPOSED-PT-1
252	SEATING AREA	CPT-1	RB-1	PT-3	PT-3	---	---	AT-6 / EXPOSED-PT-1
254	OPEN OFFICE	CPT-1	RB-1	PT-3	PT-3	---	PT-3	EXPOSED-PT-1
255	OPEN OFFICE	CPT-1	RB-1	---	---	---	PT-3	EXPOSED-PT-1

1 SECOND FLOOR - FINISH SCHEDULE

ROOM CODE	ROOM or SPACE	FINISH SCHEDULE						COMMENTS
		FLOOR MATERIAL	BASE	WALLS			CEILING MATERIAL	
				NORTH	EAST	SOUTH	WEST	
120	HALLWAY	TER	TER	PT-3	PT-3 / GL-4	---	WD-1	AT-1 / AT-5
121	TELECOM	RT-2	RB-1	PT-2	PT-2	PT-2	PT-2	EXPOSED-PT-2
122	CONFERENCE	CPT-1	RB-1	PT-3 / GL-5	PT-3	PT-3 / GL-4	PT-3 / GL-4	AT-2 / GWB
123	TEAM	CPT-1	RB-1	PT-3 / GL-4	PT-3	PT-3 / GL-5	PT-3 / GL-4	AT-2 / GWB
124	ELECTRICAL ROOM	RT-2	RB-1	PT-2	PT-2	PT-2	PT-2	EXPOSED-PT-2
125	MEN	CT-1	CT-1	CT-2/3	CT-2/3	CT-2/3	CT-2/3	GWB-PT CT @ SINK
126	WOMEN	CT-1	CT-1	CT-2/3	CT-2/3	CT-2/3	CT-2/3	GWB-PT CT @ SINK
127	ALCOVE	TER	TER	PT-3	---	PT-3	PT-3 / CT-5	GWB-PT CT ON WALL WITH DRINKING FOUNTAIN
128	REPROGRAPHIC	CPT-1	RB-1	PT-3 / GL-6	PT-3	PT-3	PT-3	AT-2
130	FILE	CPT-1	RB-1	---	PT-3	PT-3	PT-3	EXPOSED-PT-1
131	STORAGE	RF-1	RB-1	PT-2	PT-2	PT-2	PT-2	EXPOSED-PT-2
132	OPEN OFFICE	CPT-1	RB-1	---	---	PT-3	PT-3	EXPOSED-PT-1
134	COFFEE	CT-4	CT-4	---	PT-3	GL-6 / S1	PT-3	GWB-PT / AT-5
135	COMPUTER AREA	CPT-1	RB-1	---	---	---	---	AT-5 / EXPOSED-PT-1
137	OPEN OFFICE	CPT-1	RB-1	---	---	PT-3	PT-3	EXPOSED-PT-1
141	BOOTH	CPT-1	RB-1	---	PT-3	---	PT-3	AT-2
142	OFFICE	CPT-1	RB-1	PT-3	PT-3	PT-3 / GL-4	PT-3	AT-2
143	OFFICE	CPT-1	RB-1	PT-3 / GL-4	PT-3	PT-3	PT-3	AT-2
144	COPY / FILE	CPT-1	RB-1	PT-3 / GL-4	PT-3	PT-3 / GL-4	PT-3	AT-2
145	OFFICE	CPT-1	RB-1	PT-3	PT-3	PT-3 / GL-4	PT-3	AT-2
146	OFFICE	CPT-1	RB-1	PT-3 / GL-4	PT-3	PT-3	PT-3	AT-2
147	OFFICE	CPT-1	RB-1	PT-3	PT-3	PT-3 / GL-4	PT-3	AT-2
148	OFFICE	CPT-1	RB-1	PT-3 / GL-4	PT-3	PT-3	PT-3	AT-2
151	OPEN OFFICE	CPT-1	RB-1	PT-3	PT-3	PT-3 / GL-4	WD-1	EXPOSED-PT-1
152	SEATING AREA	CPT-1	RB-1	PT-3	PT-3	---	---	EXPOSED-PT-1
154	OPEN OFFICE	CPT-1	RB-1	PT-3	---	---	PT-3	EXPOSED-PT-1
155	OPEN OFFICE	CPT-1	RB-1	---	WD-1	---	PT-3	EXPOSED-PT-1

1 FIRST FLOOR - FINISH SCHEDULE



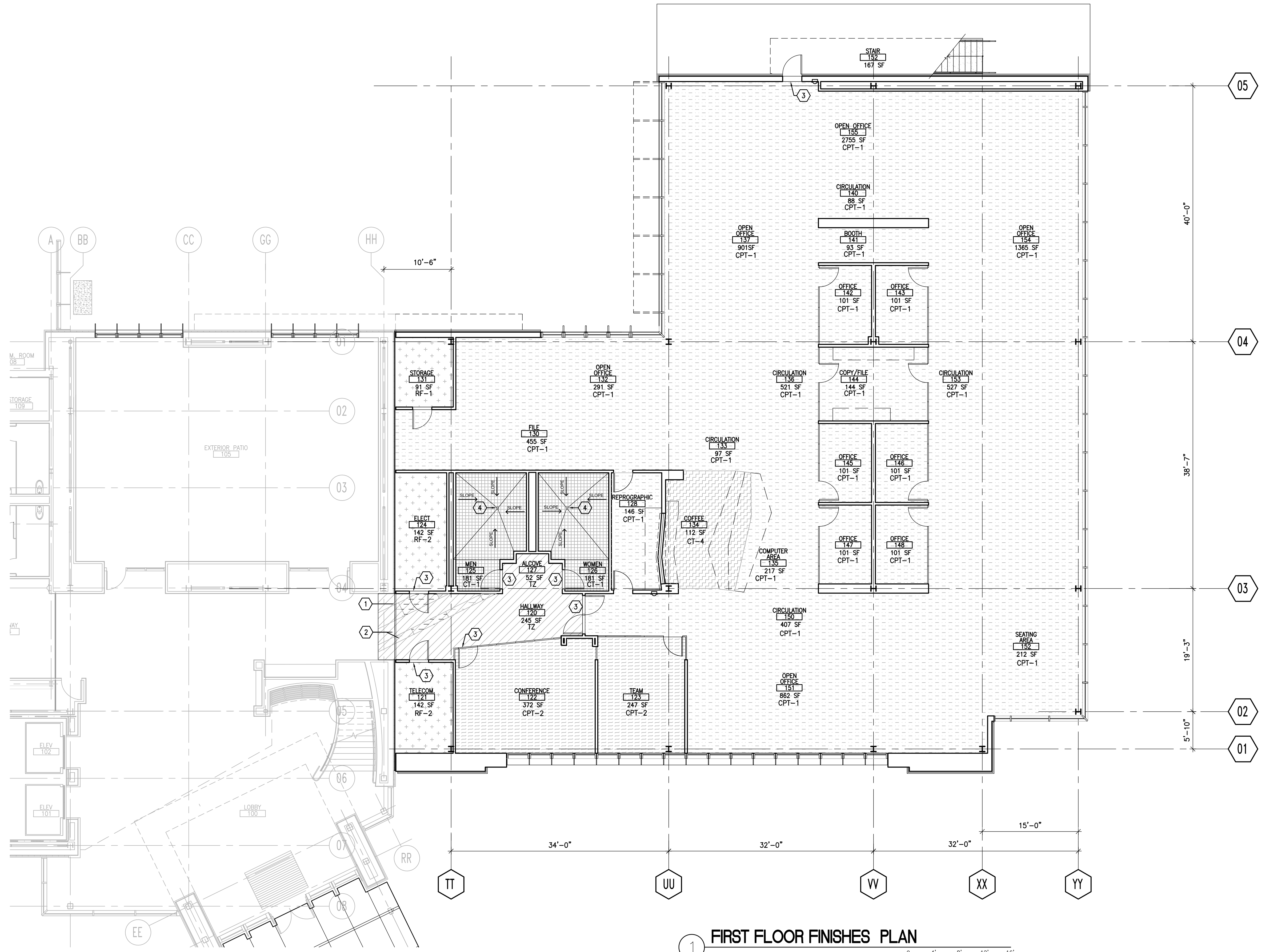
FULLY SPRINKLERED

CONSULTANTS: Syska Hennessy Group, Inc. 425 California Street Suite 700 San Francisco, CA 94104 Tel: 415.288.9060 Fax: 415.835.0385 www.syska.com A member company of SH Group, Inc.	Stamp and Signature 	ARCHITECT/ENGINEERS: ENGINEERS ARCHITECTS ONE KAISER PLAZA SUITE 445 OAKLAND CALIFORNIA 94612 TEL 510.271.6701 FAX 510.271.6707 ©THE KPA GROUP 2014 KPA Project No. 582.00	Drawing Title FINISH SCHEDULES	Project Title ESTABLISH SUNNYVALE R AND D CAMPUS	Project Number 640-397 Building Number 1002 Drawing Number AE802 Dwg. of	Location 1080 INNOVATION WAY, SUNNYVALE, CA 94085 Date 11/25/2014 Checked PWP Drawn KPA TEAM	Office of Construction and Facilities Management
--	-------------------------	--	--	--	---	---	--

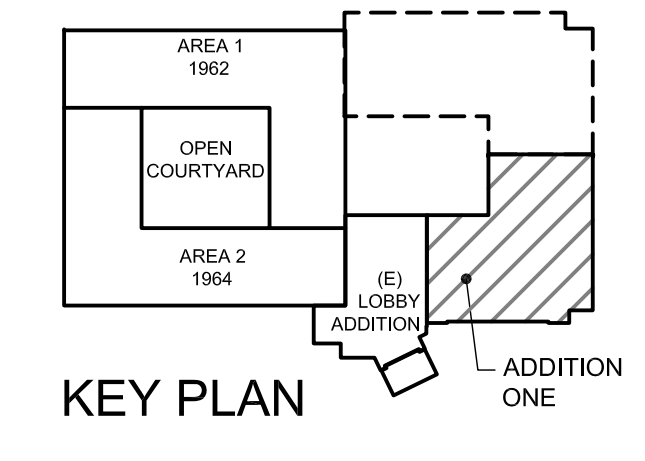
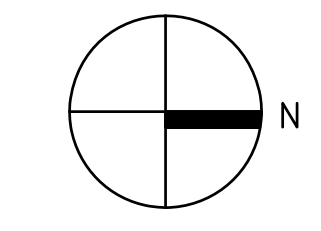
three inches = one foot
 one and one half inches = one foot
 one inch = one foot
 three quarters inch = one foot
 one half inch = one foot
 three eighths inch = one foot
 one quarter inch = one foot
 one eighth inch = one foot
 one sixteenth inch = one foot


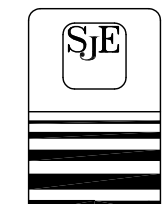
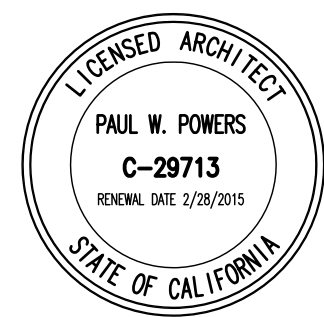
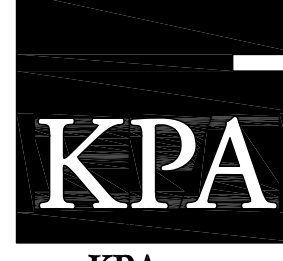
- KEYED NOTES:**
- 1 EXPANSION JOINT COVER
 - 2 MATCH (E) LOBBY TERRAZZO PATTERN
 - 3 THRESHOLD
 - 4 DEPRESS SLAB TOWARDS DRAIN.

- LEGEND:**
- CT-1 - CERAMIC TILE
 - CT-2 - CERAMIC TILE
 - CT-4 - CERAMIC TILE
 - CPT-1
 - CPT-2
 - TZ - TERRAZZO WHITE
 - TZ - TERRAZZO GRAY
 - TZ - TERRAZZO BLACK
 - RF - 1 / RF - 2
 - SC - SEAL CONCRETE



1 **FIRST FLOOR FINISHES PLAN**
 1/8" = 1'-0"
 Scale bar: 0 4' 8' 12' 16'



<p>Revisions:</p> <table border="1" style="width: 100%; border-collapse: collapse;"> <thead> <tr> <th style="width: 10%;">No.</th> <th style="width: 70%;">Description</th> <th style="width: 20%;">Date</th> </tr> </thead> <tbody> <tr><td> </td><td> </td><td> </td></tr> <tr><td> </td><td> </td><td> </td></tr> <tr><td> </td><td> </td><td> </td></tr> <tr><td> </td><td> </td><td> </td></tr> <tr><td> </td><td> </td><td> </td></tr> <tr><td> </td><td> </td><td> </td></tr> <tr><td> </td><td> </td><td> </td></tr> </tbody> </table>	No.	Description	Date																						<p>CONSULTANTS:</p> <div style="display: flex; justify-content: space-between;"> <div style="width: 45%;">  <p>Syska Hennessy Group, Inc. 425 California Street Suite 700 San Francisco, CA 94104 Tel: 415.288.9060 Fax: 415.835.0385 www.syska.com</p> </div> <div style="width: 45%;">  <p>SJ ENGINEERS 300 Frank H. Ogawa Plaza Suite 308 Oakland, CA 94612 Tel: (510) 832-1505 Fax: (510) 832-1507 Job No: 213-0801</p> </div> </div>	<p>Stamp and Signature</p> <div style="text-align: center;">  </div>	<p>ARCHITECT/ENGINEERS:</p> <div style="display: flex; justify-content: space-between;"> <div style="width: 45%;">  <p>ENGINEERS ARCHITECTS ONE KAISER PLAZA SUITE 445 OAKLAND CALIFORNIA 94612 TEL 510.271.6701 FAX 510.271.6707</p> </div> <div style="width: 45%;"> <p>© THE KPA GROUP 2014 KPA Project No. 582.00</p> </div> </div>	<p>Drawing Title FIRST FLOOR FINISHES PLAN</p> <p>Approved Project Director - VAPAHCs PLANNING AND ENGINEERING</p>	<p>Project Title ESTABLISH SUNNYVALE R AND D CAMPUS</p> <p>Location 1080 INNOVATION WAY, SUNNYVALE, CA 94085</p> <p>Date 11/25/2014</p>	<p>Project Number 640-397</p> <p>Building Number 1002</p> <p>Drawing Number AE803</p> <p>Dwg. of</p>	<p>Office of Construction and Facilities Management</p> <p>VAPAHCs Veterans Affairs - Palo Alto Health Care System</p>
No.	Description	Date																													

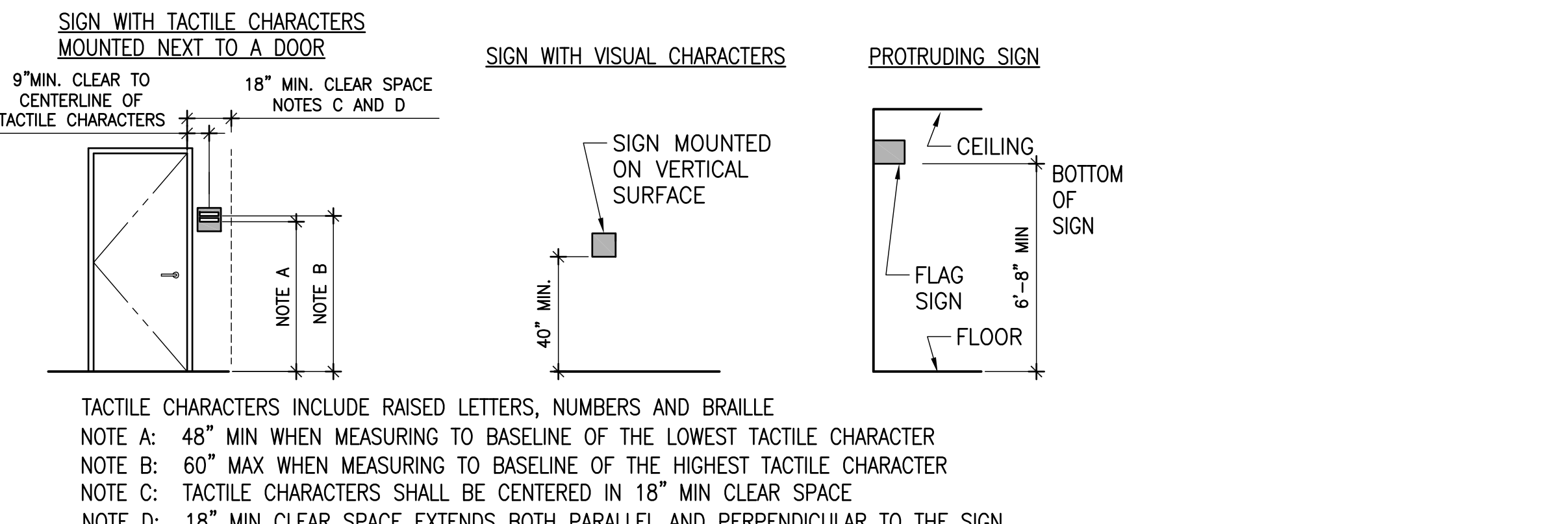
SIGN NUMBER	LOCATION	SIGN FUNCTION	SIGN TYPE	MESSAGE	MOUNT	NOTES
EA-1	EXTERIOR DOOR ON WEST ELEVATION	NO SMOKING SIGN	IN-420	[No Smoking is only permitted outside in designated areas]	WALL	EXTERIOR SIGN USE MATERIALS OF EN-05.03B COPY COLOR: C-1 BACKGROUND COLOR: C-2
EA-2	EXTERIOR DOOR ON WEST ELEVATION	NO SMOKING SIGN	IN-420	[No Smoking is only permitted outside in designated areas]	WALL	EXTERIOR SIGN USE MATERIALS OF EN-05.03B COPY COLOR: C-1 BACKGROUND COLOR: C-2

LEGEND
 T: INDICATES THAT TACTILE CHARACTERS ARE INCLUDED IN THE SIGN
 ISA: INTERNATIONAL SYMBOL OF ACCESSIBILITY

3 EXTERIOR SIGN SCHEDULE

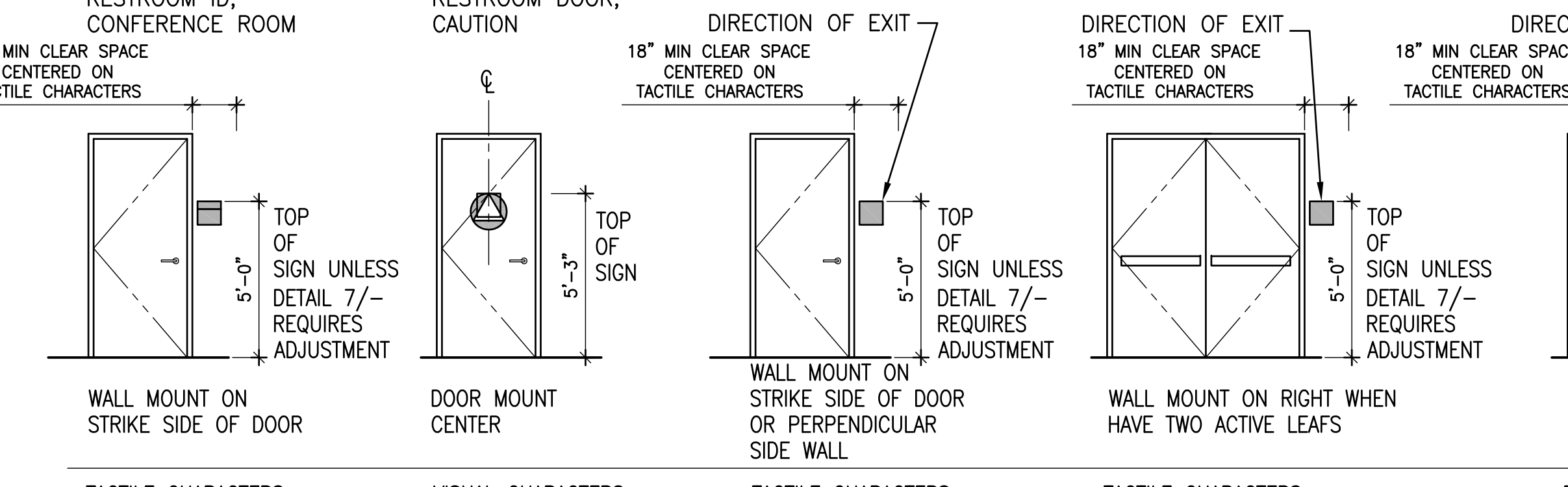
COLOR	COLOR REF #	COLOR DESCRIPTION	MATTHEWS PAINT	BENJAMIN MOORE	ROWMARK	3M #	AVERY #
C-1			MP03849 INERTE GRAY	BM HC-166 KENDALL CHARCOAL			
C-2			MP32071 WHITE WONDER	BM I-04 DECORATOR'S WHITE			
C-3			MPO0015 POLAR WHITE	BM 2137-60 GRAY OWL			
C-4			MP42359 VINE CHARCOAL	BM 2120-20 BLACK IRON			
C-5		RED (OSHA)					
C-6		YELLOW (OSHA)					
C-7	B16	HANDICAP BLUE	MP26511				
C-8		BRUSHED ALUMINUM		BM 2134-30 IRON MOUNTAIN			
R-1					ROWMARK 3X1-307 CHARCOAL GREY		
R-2					ROWMARK 3X1-201 WHITE		
P1	B18	NEW VA BLUE	MP09829				
V1	B40	REFLECTIVE WHITE WONDER VINYL				WHITE 7725-10	WHITE A9005-0
V2	B31	GRAVITY TRACTOR TRANSLUCENT VINYL				TOMATO RED 7725-13	TOMATO RED A9325-0

4 SIGNAGE COLOR CHART



TACTILE CHARACTERS INCLUDE RAISED LETTERS, NUMBERS AND BRAILLE
 NOTE A: 48" MIN WHEN MEASURING TO BASELINE OF THE LOWEST TACTILE CHARACTER
 NOTE B: 60" MAX WHEN MEASURING TO BASELINE OF THE HIGHEST TACTILE CHARACTER
 NOTE C: TACTILE CHARACTERS SHALL BE CENTERED IN 18" MIN CLEAR SPACE
 NOTE D: 18" MIN CLEAR SPACE EXTENDS BOTH PARALLEL AND PERPENDICULAR TO THE SIGN

7 WALL MOUNTING HEIGHT REQUIREMENTS PER 2010 ADA STANDARDS FOR ACCESSIBLE DESIGN

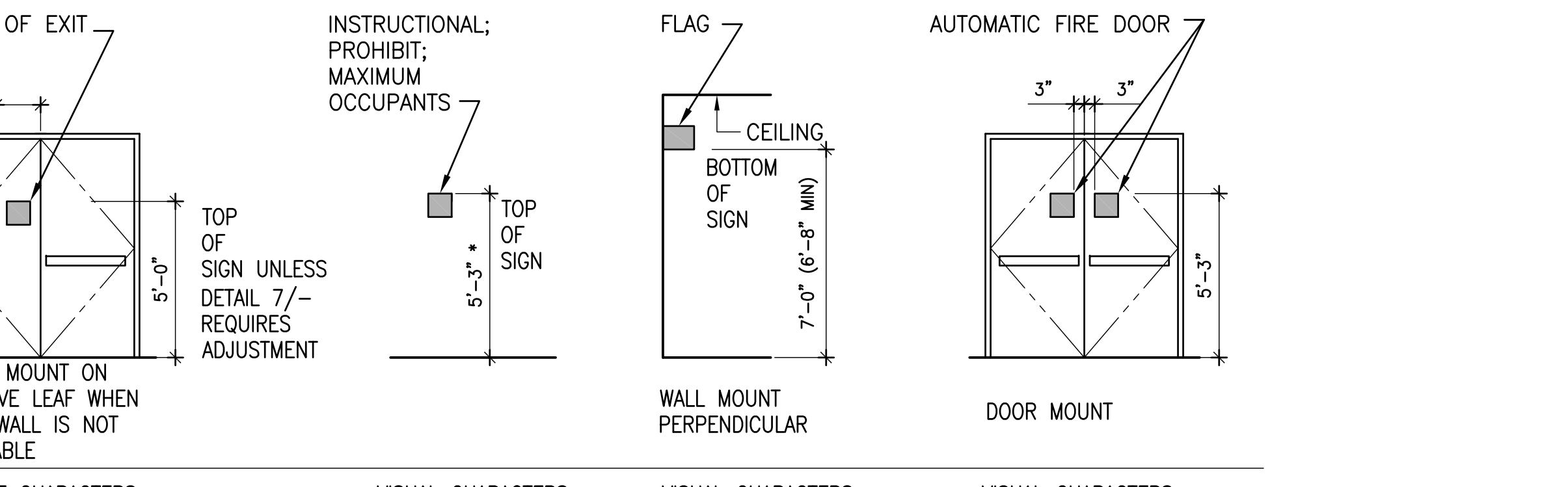


8 TYPICAL SIGN MOUNTING REQUIREMENTS

REVISIONS	DATE

SIGN NUMBER	ROOM or AREA	ROOM NUMBER	SIGN FUNCTION	SIGN TYPE	MESSAGE	NOTES
2A-1	MEN	225	RESTROOM ID TACTILE	IN-320.1	125 (pictogram of MALE + ISA) MEN (braille)	T
2A-2	MEN	225	CA TITLE 24 RESTROOM DOOR SIGN	IN-321	(Mens - Triangle)	
2A-3	WOMEN	226	RESTROOM ID TACTILE	IN-320.2	126 (pictogram of FEMALE + ISA) WOMEN (braille)	T
2A-4	WOMEN	226	CA TITLE 24 RESTROOM DOOR SIGN	IN-322	(Womens - Circle)	
2A-5	HALLWAY	220	RESTROOM FLAG	IN-325	(W / M pictogram)	
2A-6	NEAR GRID LINES 3/UU	220	FIRE EQUIPMENT	IN-01.02	(pictogram of fire extinguisher) Fire Equipment	
2A-7	NEAR GRID LINES 5/VV	220	FIRE EQUIPMENT	IN-01.02	(pictogram of fire extinguisher) Fire Equipment	
2A-8	CONFERENCE ROOM	222	CONFERENCE ROOM SIGN	IN-300C	222 (braille) CONFERENCE ROOM IN USE VACANT	T WITH GLASS BACKER PANEL
2A-9	CONFERENCE ROOM	222	MAXIMUM OCCUPANCY	IN-315	Maximum Occupancy Not To Exceed 25 Persons (49 with seats only)	
2A-10	TEAM ROOM	223	ROOM ID AND DESCRIPTION	IN-300	223 (braille) TEAM ROOM	T WITH GLASS BACKER PANEL
2A-11	TEAM ROOM	223	MAXIMUM OCCUPANCY	IN-315	Maximum Occupancy Not To Exceed 17 Persons (35 with seats only)	
2A-12	ELECTRICAL	224	ROOM IDENTIFICATION	IN-301.3	224 (braille)	T
2A-13	TELECOM	221	ROOM IDENTIFICATION	IN-301.3	221 (braille)	T
2A-14	STORAGE	231	ROOM IDENTIFICATION	IN-301.3	231 (braille)	T
2A-15	REPROGRAPHIC	228	ROOM IDENTIFICATION	IN-301.3	228 (braille)	T
2A-16	REPROGRAPHIC	228	ROOM IDENTIFICATION	IN-301.3	228 (braille)	T
2A-17	OFFICE	242	ROOM IDENTIFICATION WITH SMALL INSERT SIGN	IN-301.3 N-351.A	242 (braille)	T WITH GLASS BACKER PANEL
2A-18	OFFICE	243	ROOM IDENTIFICATION WITH SMALL INSERT SIGN	IN-301.3 N-351.A	243 (braille)	T WITH GLASS BACKER PANEL
2A-19	COPY	244	ROOM IDENTIFICATION	IN-301.3	244 (braille)	T WITH GLASS BACKER PANEL
2A-20	COPY	244	ROOM IDENTIFICATION	IN-301.3	244 (braille)	T WITH GLASS BACKER PANEL
2A-21	OFFICE	245	ROOM IDENTIFICATION WITH SMALL INSERT SIGN	IN-301.3 N-351.A	245 (braille)	T WITH GLASS BACKER PANEL
2A-22	OFFICE	246	ROOM IDENTIFICATION WITH SMALL INSERT SIGN	IN-301.3 N-351.A	246 (braille)	T WITH GLASS BACKER PANEL
2A-23	OFFICE	247	ROOM IDENTIFICATION WITH SMALL INSERT SIGN	IN-301.3 N-351.A	247 (braille)	T WITH GLASS BACKER PANEL
2A-24	OFFICE	248	ROOM IDENTIFICATION WITH SMALL INSERT SIGN	IN-301.3 N-351.A	248 (braille)	T WITH GLASS BACKER PANEL
2A-M1	FILE	230	MAINTENANCE CORRIDOR ID	IN-322	230	
2A-M2	COFFEE	234	MAINTENANCE CORRIDOR ID	IN-360	234	
2A-M3	CIRCULATION	236	MAINTENANCE CORRIDOR ID	IN-360	236	
2A-M4	CIRCULATION	240	MAINTENANCE CORRIDOR ID	IN-360	240	
2A-M5	CIRCULATION	250	MAINTENANCE CORRIDOR ID	IN-360	250	
2A-M6	CIRCULATION	253	MAINTENANCE CORRIDOR ID	IN-360	253	
2A-M7	HALLWAY	220	MAINTENANCE CORRIDOR ID	IN-360	220	
2A-X1	DOOR FROM OFFICES TO LOBBY	-	AUTOMATIC FIRE DOOR - HINGED	IN-01.08	Automatic Fire Door DO NOT BLOCK This fire door is arranged to swing closed automatically. Do not block the doorway or place any article in contact with the door.	
2A-X2	DOOR FROM OFFICES TO LOBBY	-	AUTOMATIC FIRE DOOR - HINGED	IN-01.08	Automatic Fire Door DO NOT BLOCK This fire door is arranged to swing closed automatically. Do not block the doorway or place any article in contact with the door.	
2A-X3	DOOR FROM OFFICES TO STAIRS	-	EXITING (SMALL)	IN-300.1	EXIT (braille)	T
2A-R1	COFFEE	234	WASTE STREAM - RECYCLE	IN-300.1	Recycle (braille)	T ROOM ID W/O ALUMINUM PLATE
2A-R2	COFFEE	234	WASTE STREAM - COMPOST	IN-300.1	Compost (braille)	T ROOM ID W/O ALUMINUM PLATE
2A-R3	COFFEE	234	WASTE STREAM - LANDFILL	IN-300.1	Landfill (braille)	T ROOM ID W/O ALUMINUM PLATE
2A-R4	FILE	230	WASTE STREAM - SHREDDING	IN-300.1	Shredding (braille)	T ROOM ID W/O ALUMINUM PLATE
2A-R5	REPROGRAPHIC	228	WASTE STREAM - RECYCLE	IN-300.1	Recycle (braille)	T ROOM ID W/O ALUMINUM PLATE
2A-R6	COPY/FILE	244	WASTE STREAM - RECYCLE	IN-300.1	Recycle (braille)	T ROOM ID W/O ALUMINUM PLATE

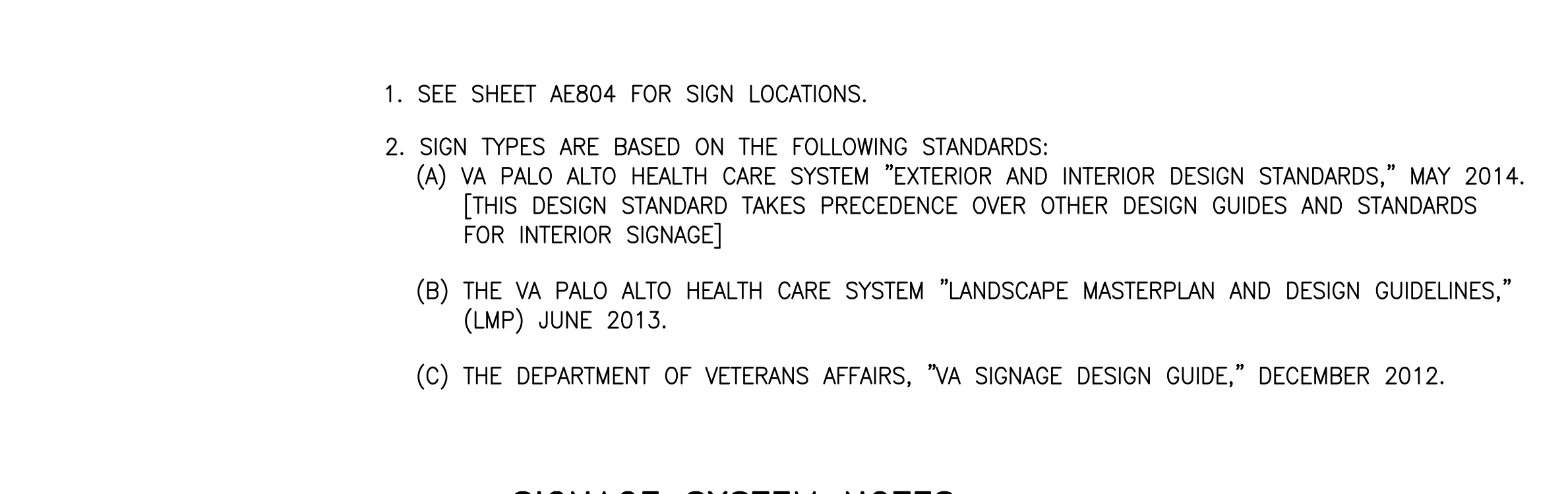
2 INTERIOR SIGN SCHEDULE SECOND FLOOR



1 INTERIOR SIGN SCHEDULE FIRST FLOOR

SIGN NUMBER	ROOM or AREA	ROOM NUMBER	SIGN FUNCTION	SIGN TYPE	MESSAGE	NOTES
1A-1	MEN	125	RESTROOM ID TACTILE	IN-320.1	125 (pictogram of MALE + ISA) MEN (braille)	T
1A-2	MEN	125	CA TITLE 24 RESTROOM DOOR SIGN	IN-321	(Mens - Triangle)	
1A-3	WOMEN	126	RESTROOM ID TACTILE	IN-320.2	126 (pictogram of FEMALE + ISA) WOMEN (braille)	T
1A-4	WOMEN	126	CA TITLE 24 RESTROOM DOOR SIGN	IN-322	(Womens - Circle)	
1A-5	HALLWAY	120	RESTROOM FLAG	IN-325	(W / M pictogram)	
1A-6	NEAR GRID LINES 3/UU	-	FIRE EQUIPMENT	IN-01.02	(pictogram of fire extinguisher) Fire Equipment	
1A-7	NEAR GRID LINES 5/VV	-	FIRE EQUIPMENT	IN-01.02	(pictogram of fire extinguisher) Fire Equipment	
1A-8	CONFERENCE ROOM	122	CONFERENCE ROOM SIGN	IN-300C	122 (braille) CONFERENCE ROOM IN USE VACANT	T WITH GLASS BACKER PANEL
1A-9	CONFERENCE ROOM	122	MAXIMUM OCCUPANCY	IN-315	Maximum Occupancy Not To Exceed 25 Persons (49 with seats only)	
1A-10	TEAM ROOM	123	ROOM ID AND DESCRIPTION	IN-300	123 (braille) TEAM ROOM	T WITH GLASS BACKER PANEL
1A-11	TEAM ROOM	123	MAXIMUM OCCUPANCY	IN-315	Maximum Occupancy Not To Exceed 17 Persons (35 with seats only)	
1A-12	ELECTRICAL	124	ROOM IDENTIFICATION	IN-301.3	124 (braille)	T
1A-13	TELECOM	121	ROOM IDENTIFICATION	IN-301.3	121 (braille)	T
1A-14	STORAGE	131	ROOM IDENTIFICATION	IN-301.3	131 (braille)	T
1A-15	REPROGRAPHIC	128	ROOM IDENTIFICATION	IN-301.3	128 (braille)	T
1A-16	REPROGRAPHIC	128	ROOM IDENTIFICATION	IN-301.3	128 (braille)	T
1A-17	OFFICE	142	ROOM IDENTIFICATION WITH SMALL INSERT SIGN	IN-301.3 N-351.A	142 (braille)	T WITH GLASS BACKER PANEL
1A-18	OFFICE	143	ROOM IDENTIFICATION WITH SMALL INSERT SIGN	IN-301.3 N-351.A	143 (braille)	T WITH GLASS BACKER PANEL
1A-19	COPY	144	ROOM IDENTIFICATION	IN-301.3	144 (braille)	T WITH GLASS BACKER PANEL
1A-20	COPY	144	ROOM IDENTIFICATION	IN-301.3	144 (braille)	T WITH GLASS BACKER PANEL
1A-21	OFFICE	145	ROOM IDENTIFICATION WITH SMALL INSERT SIGN	IN-301.3 N-351.A	145 (braille)	T WITH GLASS BACKER PANEL
1A-22	OFFICE	146	ROOM IDENTIFICATION WITH SMALL INSERT SIGN	IN-301.3 N-351.A	146 (braille)	T WITH GLASS BACKER PANEL
1A-23	OFFICE	147	ROOM IDENTIFICATION WITH SMALL INSERT SIGN	IN-301.3 N-351.A	147 (braille)	T WITH GLASS BACKER PANEL
1A-24	OFFICE	148	ROOM IDENTIFICATION WITH SMALL INSERT SIGN	IN-301.3 N-351.A	148 (braille)	T WITH GLASS BACKER PANEL
1A-M1	FILE	130	MAINTENANCE CORRIDOR ID	IN-322	130	
1A-M2	COFFEE	134	MAINTENANCE CORRIDOR ID	IN-360	134	
1A-M3	CIRCULATION	136	MAINTENANCE CORRIDOR ID	IN-360	136	
1A-M4	CIRCULATION	140	MAINTENANCE CORRIDOR ID	IN-360	140	
1A-M5	CIRCULATION	150	MAINTENANCE CORRIDOR ID	IN-360	150	
1A-M6	CIRCULATION	153	MAINTENANCE CORRIDOR ID	IN-360	153	
1A-M7	HALLWAY	120	MAINTENANCE CORRIDOR ID	IN-360	120	
1A-X1	DOOR FROM OFFICES TO LOBBY	-	AUTOMATIC FIRE DOOR - HINGED	IN-01.08	Automatic Fire Door DO NOT BLOCK This fire door is arranged to swing closed automatically. Do not block the doorway or place any article in contact with the door.	
1A-X2	DOOR FROM OFFICES TO LOBBY	-	AUTOMATIC FIRE DOOR - HINGED	IN-01.08	Automatic Fire Door DO NOT BLOCK This fire door is arranged to swing closed automatically. Do not block the doorway or place any article in contact with the door.	
1A-X3	DOOR FROM OFFICES TO STAIRS	-	EXITING (SMALL)	IN-300.1	EXIT (braille)	T
1A-R1	COFFEE	134	WASTE STREAM - RECYCLE	IN-300.3	Recycle (braille)	T ROOM ID W/O ALUMINUM PLATE
1A-R2	COFFEE	134	WASTE STREAM - COMPOST	IN-300.3	Compost (braille)	T ROOM ID W/O ALUMINUM PLATE
1A-R3	COFFEE	134	WASTE STREAM - LANDFILL	IN-300.3	Landfill (braille)	T ROOM ID W/O ALUMINUM PLATE
1A-R4	FILE	130	WASTE STREAM - SHREDDING	IN-300.3	Shredding (braille)	T ROOM ID W/O ALUMINUM PLATE
1A-R5	REPROGRAPHIC	128	WASTE STREAM - RECYCLE	IN-300.3	Recycle (braille)	T ROOM ID W/O ALUMINUM PLATE
1A-R6	COPY/FILE	144	WASTE STREAM - RECYCLE	IN-300.3	Recycle (braille)	T ROOM ID W/O ALUMINUM PLATE


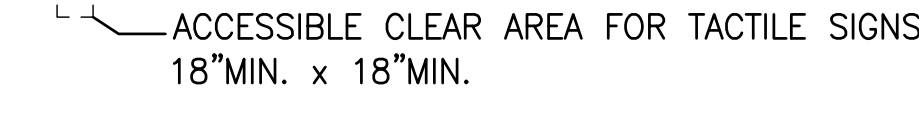
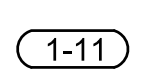
1 INTERIOR SIGN SCHEDULE FIRST FLOOR



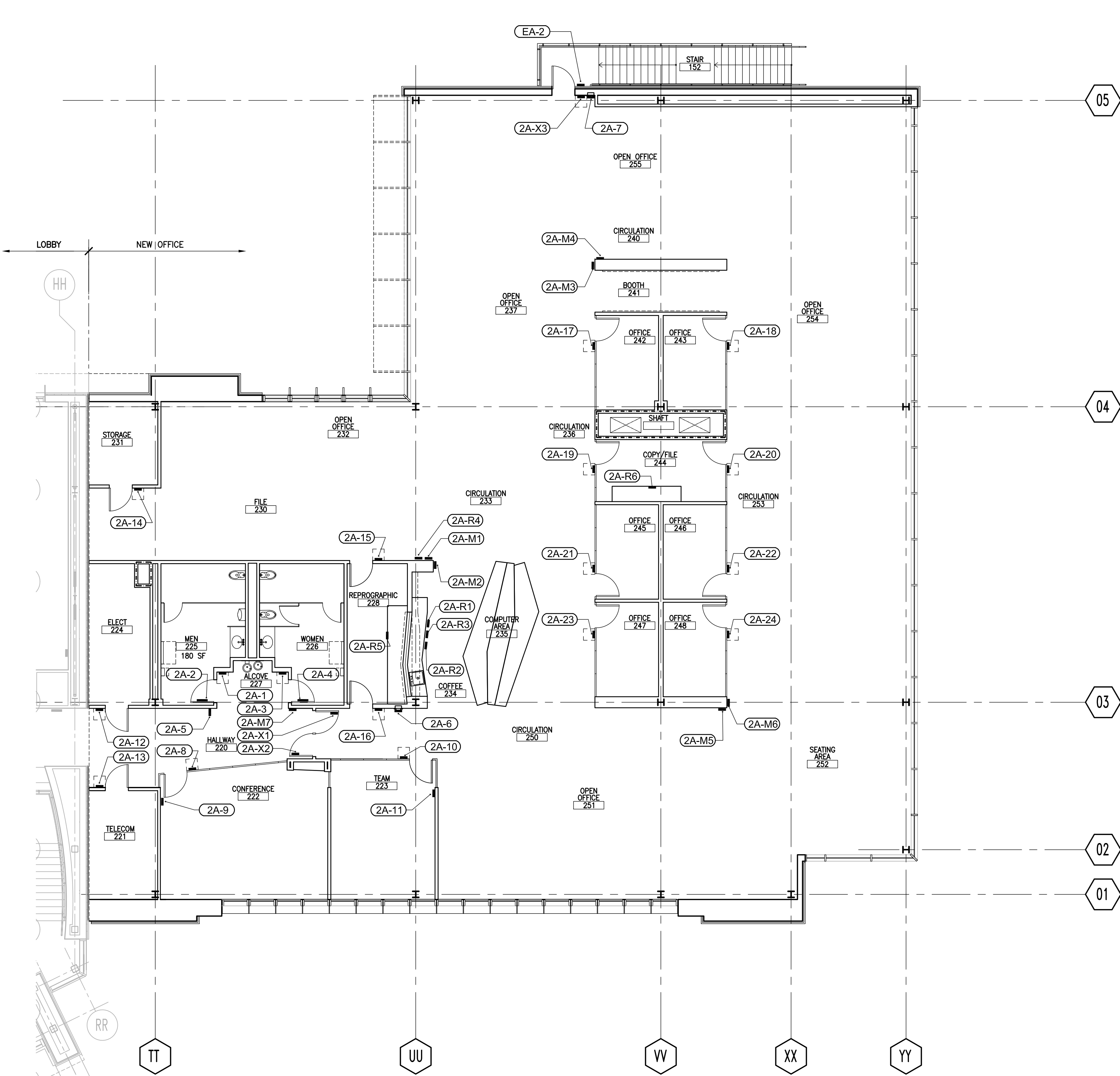
SIGNAGE SYSTEM NOTES

1. SEE SHEET AE804 FOR SIGN LOCATIONS.
 2. SIGN TYPES ARE BASED ON THE FOLLOWING STANDARDS:
 (A) VA PALO ALTO HEALTH CARE SYSTEM "EXTERIOR AND INTERIOR DESIGN STANDARDS," MAY 2014. [THIS DESIGN STANDARD TAKES PRECEDENCE OVER OTHER DESIGN GUIDES AND STANDARDS FOR INTERIOR SIGNAGE]
 (B) THE VA PALO ALTO HEALTH CARE SYSTEM "LANDSCAPE MASTERPLAN AND DESIGN GUIDELINES," (LMP) JUNE 2013.
 (C) THE DEPARTMENT OF VETERANS AFFAIRS, "VA SIGNAGE DESIGN GUIDE," DECEMBER 2012.

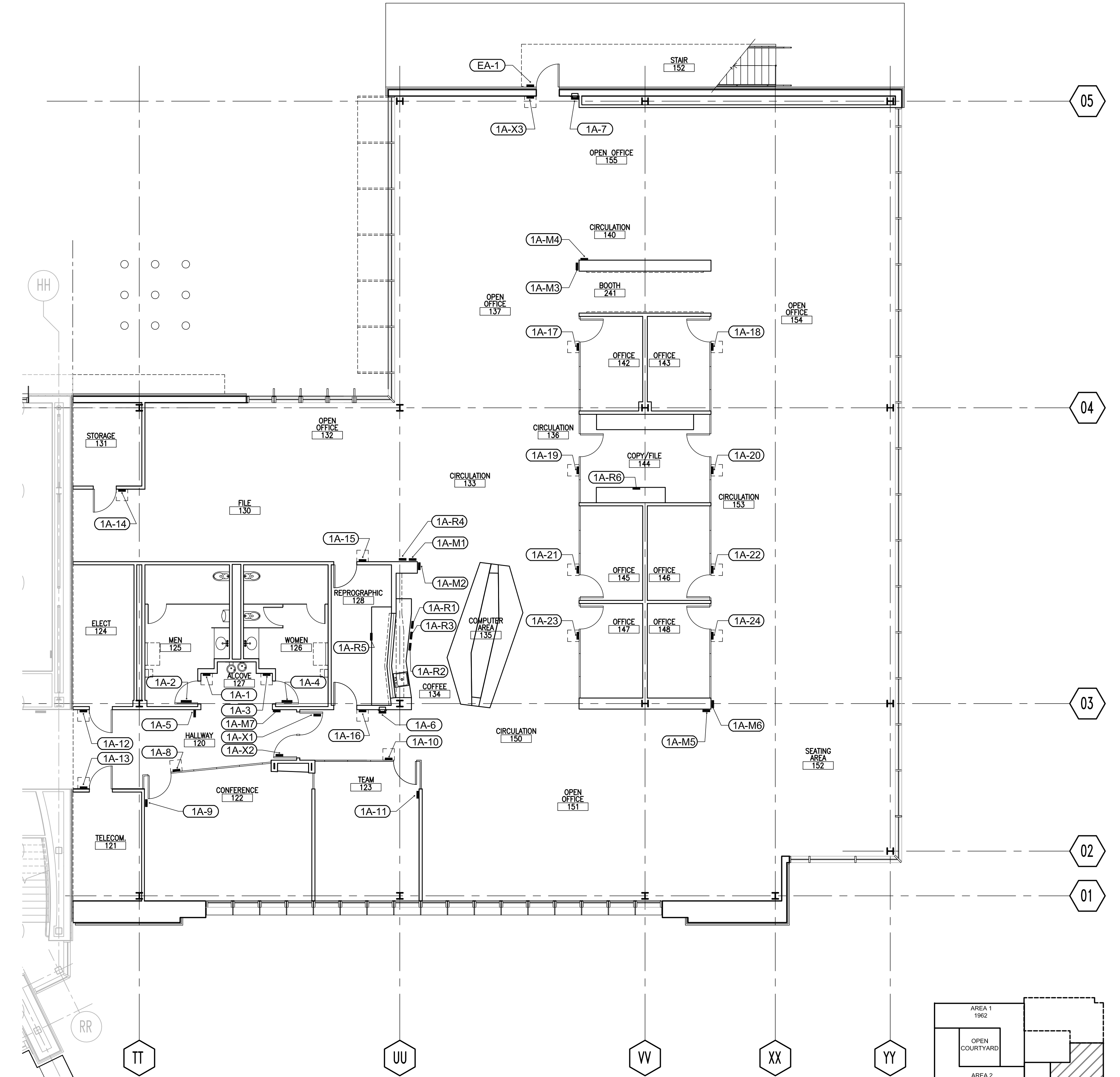
LEGEND:

-  SIGN LOCATION
-  ACCESSIBLE CLEAR AREA FOR TACTILE SIGNS
18" MIN. x 18" MIN.
-  SIGN NUMBER. SEE SIGN SCHEDULES.

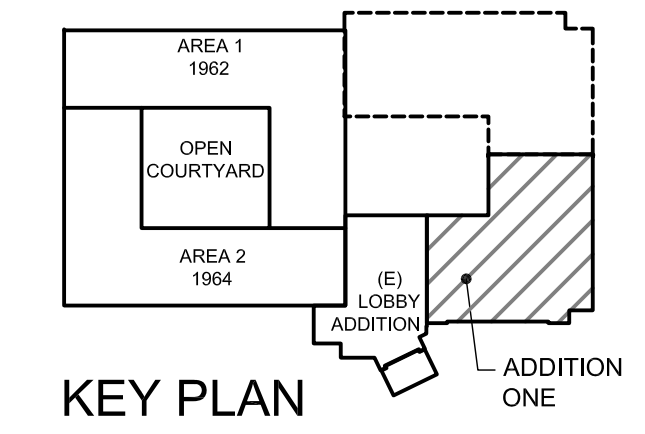
three inches = one foot
 one and one half inches = one foot
 one inch = one foot
 one half inch = one foot
 three quarters inch = one foot
 one quarter inch = one foot
 one eighth inch = one foot
 one sixteenth inch = one foot



2 SECOND FLOOR SIGN LOCATION PLAN
1/8" = 1'-0"



1 FIRST FLOOR SIGN LOCATION PLAN
1/8" = 1'-0"



Revisions:	Date

CONSULTANTS:

SYSKA HENNESSY GROUP
 A member company of SH Group, Inc.
 Syska Hennessy Group, Inc.
 425 California Street
 Suite 700
 San Francisco, CA 94104
 Tel: 415.288.9060
 Fax: 415.835.0385
 www.syska.com

SJ ENGINEERS
 300 Frank H. Ogawa Plaza
 Suite 308
 Oakland, CA 94612
 Tel: (510) 832-1505
 Fax: (510) 832-1507
 Job No: 213-0801

Stamp and Signature

PAUL W. POWERS
 LICENSED ARCHITECT
 C-29713
 (RENEW 08/20/2015)
 STATE OF CALIFORNIA

ARCHITECT/ENGINEERS:

KPA THE KPA GROUP
 ENGINEERS ARCHITECTS
 ONE KAISER PLAZA SUITE 445
 OAKLAND CALIFORNIA 94612
 TEL 510.271.6701 FAX 510.271.6707
 ©THE KPA GROUP 2014
 KPA Project No. 582.00

Drawing Title
SIGN LOCATION PLANS

Approved Project Director
-
VAPAHS PLANNING AND ENGINEERING

Project Title
ESTABLISH SUNNYVALE R AND D CAMPUS

Location
1080 INNOVATION WAY, SUNNYVALE, CA 94085

Date
11/25/2014

Checked
KPA TEAM

Drawn
KPA TEAM

Project Number
640-397

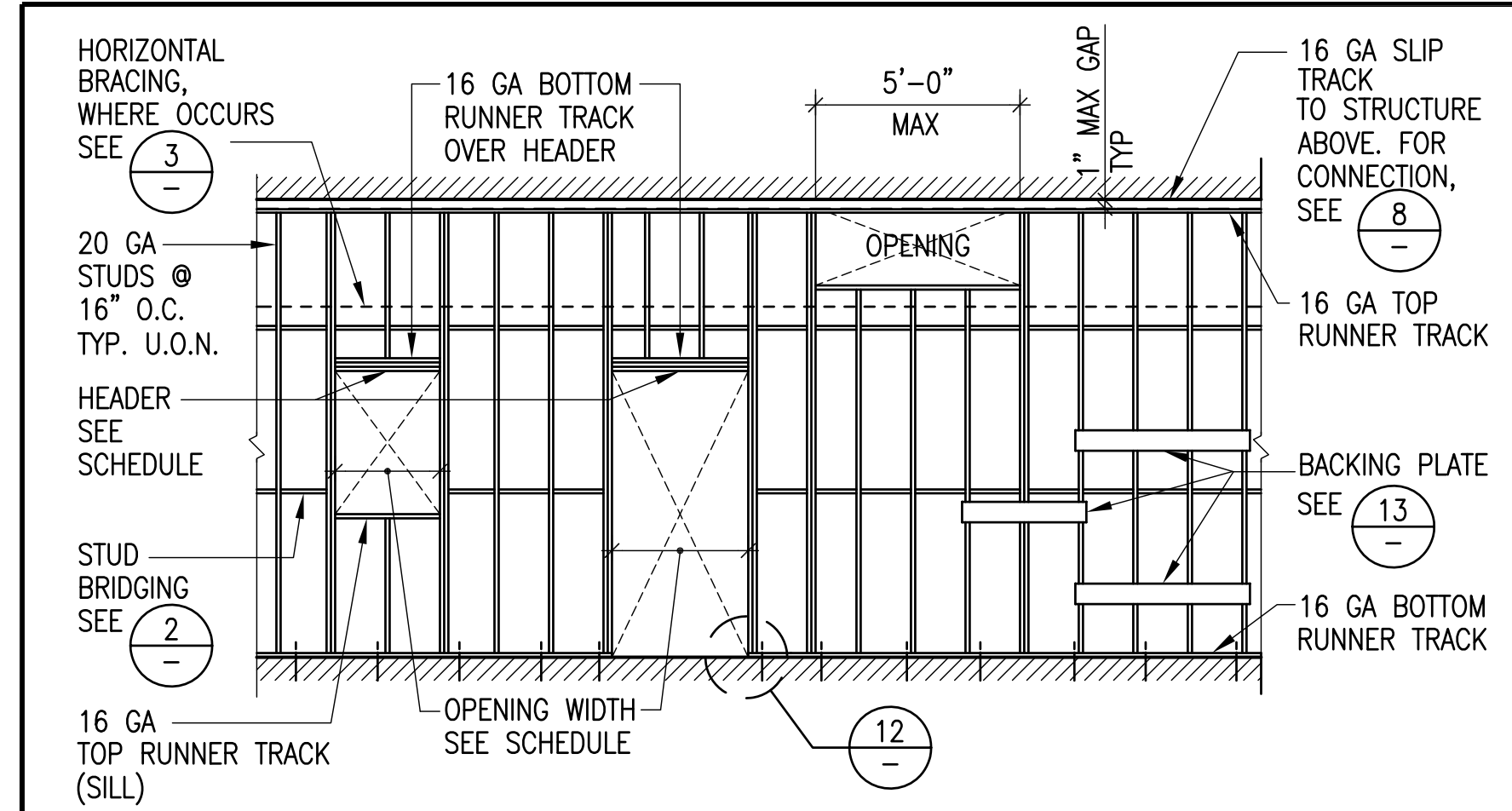
Building Number
1002

Drawing Number
AE806

Dwg of

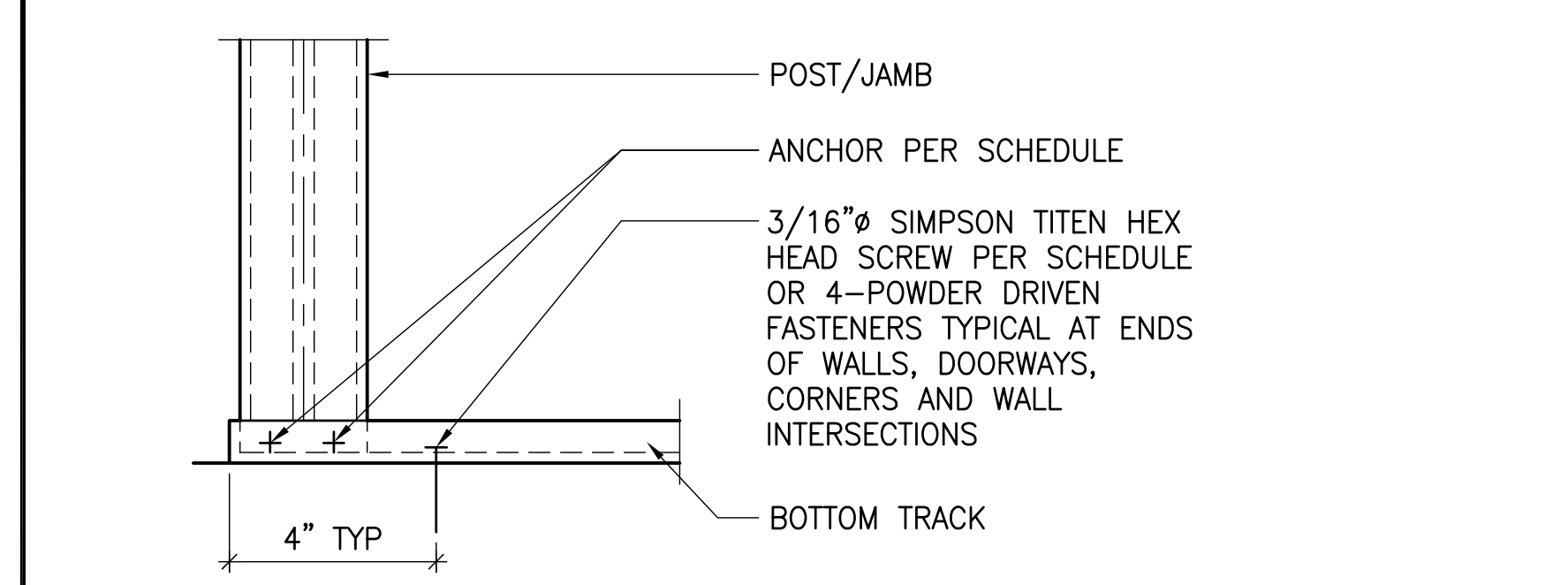
Office of Construction and Facilities Management

VAPAHS
 Veterans Affairs - Palo Alto Health Care System

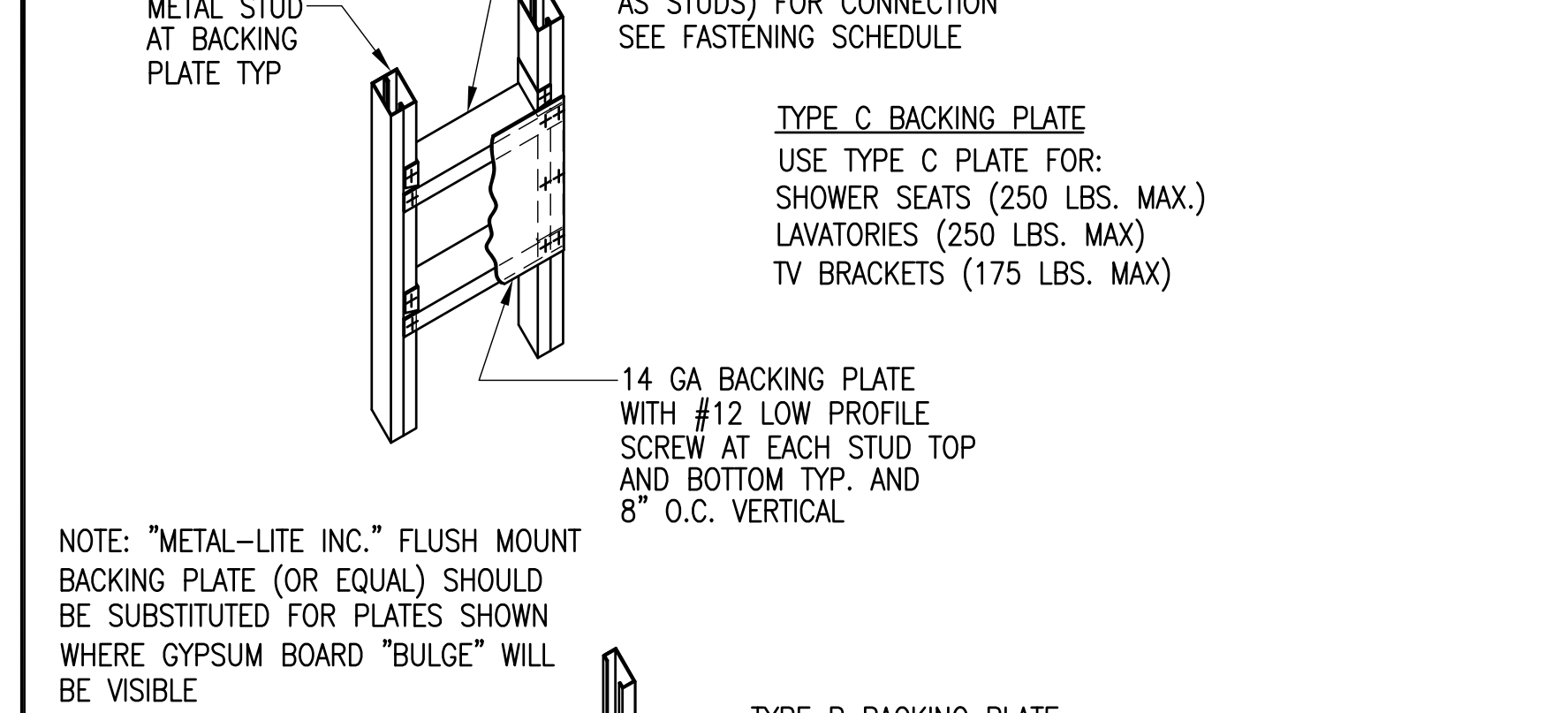


WALL OPENING SCHEDULE		
OPENING WIDTH (MAXIMUM)	HEADER	POST/JAMB
3'-4"	(1)-16 GA TRACK	(2)-16 GA STUDS
6'-4"	(2)-16 GA STUDS	(2)-16 GA STUDS
12'-0"	(3)-16 GA STUDS	(4)-16 GA STUDS

11 TYPICAL NON-LOAD BEARING METAL STUD WALL FRAMING AND OPENING NO SCALE



12 TYPICAL JAMB/POST ANCHOR DETAILS NO SCALE



13 METAL STUD BACKING PLATES NO SCALE

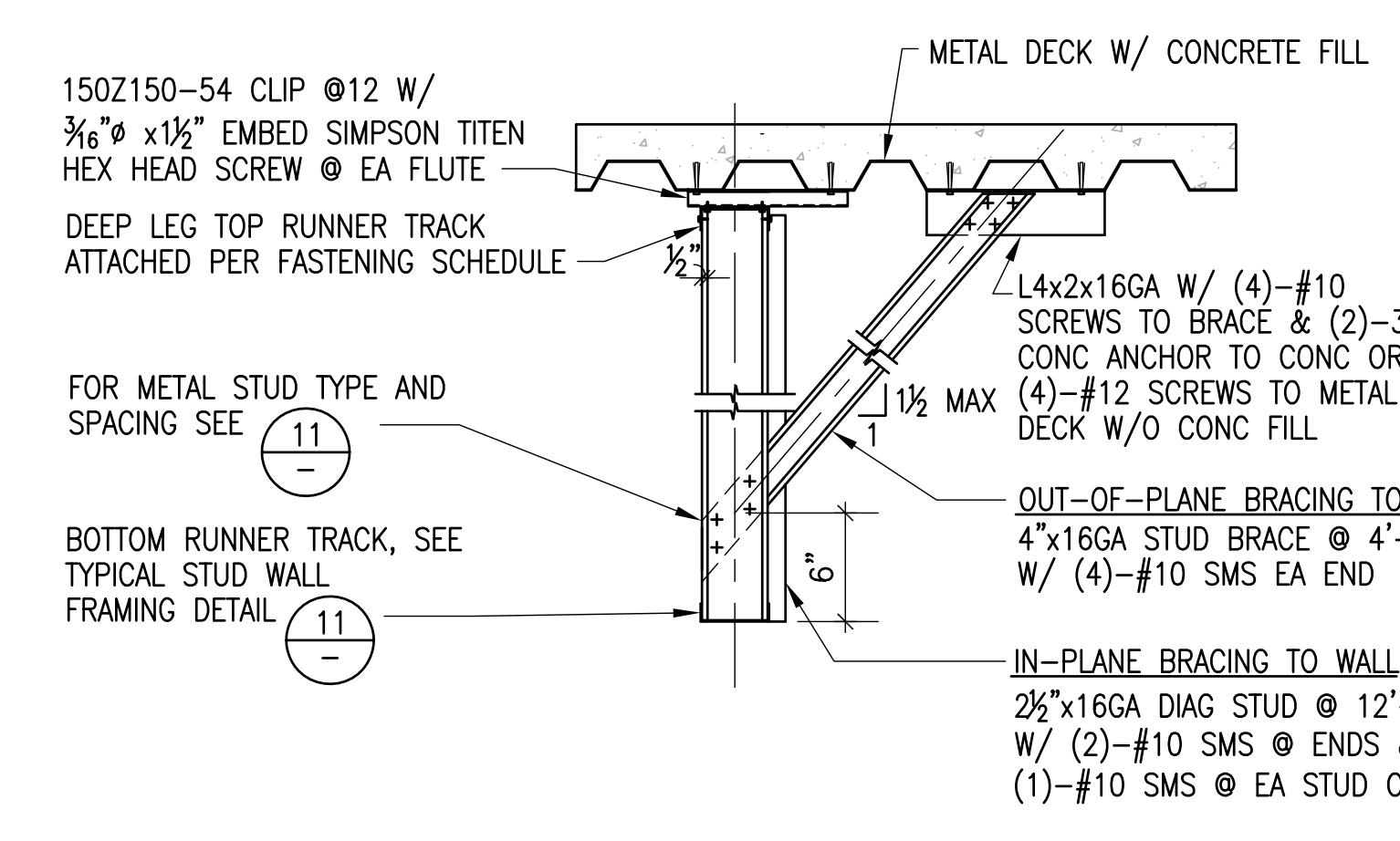
LIGHT GAUGE FRAMING

- A. STUDS: ALL STUDS SHALL BE 20 GA "C" STUDS W/ 1-3/8 FLANGE EXCEPT 16 GA WILL BE USED WHERE CABINETS, TELEVISION OR MONITORS, GRAB BARS, RAILING, SHOWER SEATS OR OTHER EQUIPMENT ARE ATTACHED. CONTRACTOR SHALL PROVIDE A DRAWN STUD LAYOUT PLAN INDICATING EACH WALL MOUNTED ITEM & LOCATIONS OF 16 GA STUDS. AT CONTRACTORS OPTION, 16 GA MAY BE USED THROUGHOUT & NO STUD LAYOUT PLAN WILL BE REQUIRED.
- B. STUDS & TRACKS 17 GAUGE AND LIGHTER SHALL BE ASTM A446, GRADE A (Fy = 33 KSI). STUDS AND TRACKS 16 GAUGE AND HEAVIER SHALL BE ASTM A446, GRADE D (Fy = 50 KSI)
- C. FASTENERS: PROVIDE SELF-DRILLING SCREWS OR BOLTED CONNECTIONS WHERE INDICATED OR SHOWN ON DRAWINGS.
- D. DESIGN SHALL COMPLY WITH THE LATEST EDITION OF AMERICAN IRON AND STEEL INSTITUTE (AISI) "SPECIFICATION FOR THE DESIGN OF COLD-FORMED STEEL STRUCTURAL MEMBERS".
- E. ALL FRAMING MEMBERS FOR STUD WALLS SHOWN ON THE STRUCTURAL AND ARCHITECTURAL DRAWINGS, AND RELATED MEMBERS, SUCH AS BRACING AND RUNNERS, SHALL BE FORMED FROM STEEL CONFORMING TO THE REQUIREMENTS NOTED ABOVE AND AS NOTED IN THE SPECIFICATIONS.
- F. ALL FRAMING SHALL BE CUT SQUARELY FOR THE ATTACHMENT TO PERPENDICULAR MEMBERS, OR AS REQUIRED, FOR AN ANGULAR FIT AGAINST ABUTTING MEMBERS.
- G. ALL STUDS SHALL BE PLUMBED AND ALIGNED BEFORE BEING SECURELY ATTACHED TO RUNNER FLANGES. PROVIDE SLIP JOINT AT THE TOP RUNNER AS SHOWN ON DRAWINGS. SPLICES IN STUDS ARE NOT PERMITTED.
- H. RUNNERS SHALL BE SECURELY ANCHORED TO THE SUPPORTING STRUCTURE AS SHOWN ON THE DRAWINGS. ABUTTING LENGTHS OF THE RUNNERS SHALL BE SECURELY ANCHORED TO A COMMON STRUCTURAL ELEMENT
- I. FRAMING OF WALL OPENINGS SHALL INCLUDE HEADERS AND SUPPORTING STUDS. SEE DETAIL 11/-.
- J. RESISTANCE TO BENDING AND ROTATION ABOUT THE MINOR AXIS SHALL BE PROVIDED BY HORIZONTAL BRACING. SEE DETAIL 3/-.

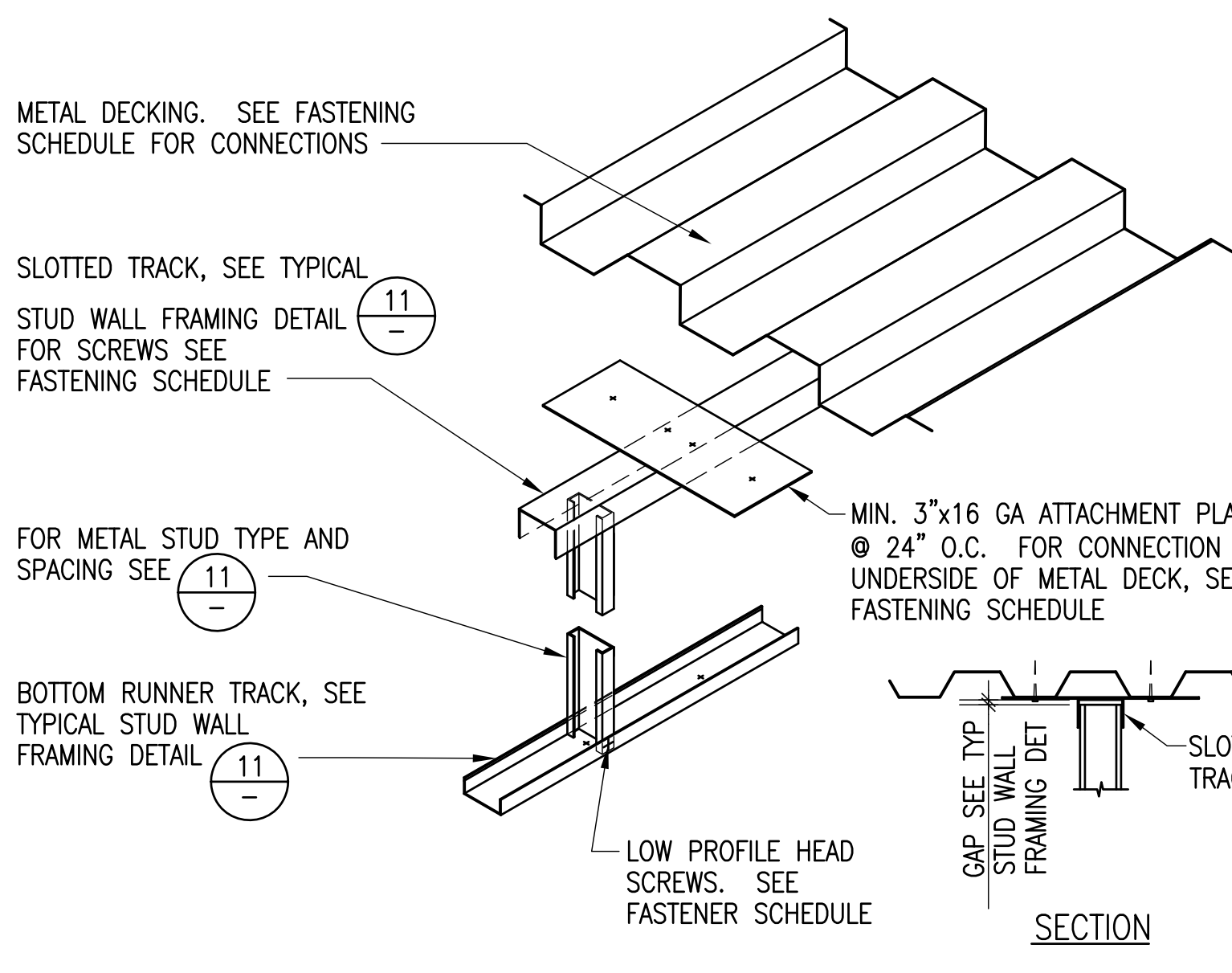
LIGHT GAUGE METAL FASTENERS

MEMBER CONNECTION	FASTENERS	
	SCREWS OR BOLTS	POWDER-DRIVEN FASTENERS
BOTTOM RUNNER TRACK TO CONCRETE SLAB	3/16" SIMPSON TITEN HEX HEAD SCREWS @ 24" O.C., MIN. 1/2" EMBED	DOME HEAD 0.145" SHANK @ 16" O.C., MIN 1/2" EMBED.
STUD TO RUNNER TRACK	#10 LOW PROFILE HEAD SCREW EACH SIDE	N/A
STUD TO STUD (BACK TO BACK)	(2)-#12 LOW PROFILE HEAD SCREW @ 16" O.C.	N/A
TOP RUNNER TRACK OR ATTACHMENT PLATE OF FLOOR MOUNTED PARTITION TO UNDERSIDE OF CONCRETE DECK OR METAL DECK WITH CONCRETE FILL	3/16" SIMPSON TITEN HEX HEAD SCREWS @ 24" O.C. MIN. 1/2" EMBED. PRE-DRILL HOLES PRIOR TO INSTALLATION	DOME HEAD 0.145" SHANK @ 12" O.C., MIN 1/2" EMBED.
TOP RUNNER TRACK OR ATTACHMENT CLIP OF SUSPENDED PARTITION OR SOFFIT TO UNDERSIDE CONCRETE DECK OR METAL DECK WITH CONCRETE FILL	(2)-3/16" SIMPSON TITEN HEX HEAD SCREWS @ 12" O.C., MIN. 1/2" EMBED. PRE-DRILL HOLES PRIOR TO INSTALLATION	NOT ALLOWED
TOP RUNNER TRACK OF FLOOR MOUNTED PARTITION TO UNDERSIDE OF ATTACHMENT PLATE OR METAL DECK W/O CONCRETE FILL	(2)-#12 LOW PROFILE HEAD SCREW @ 24" O.C. (OR AT EACH PLATE INDICATED IN 7)	N/A
TOP RUNNER TRACK OF SUSPENDED PARTITION OR SOFFIT TO UNDERSIDE OF ATTACHMENT PLATE OR METAL DECK W/O CONCRETE FILL	(2)-#12 LOW PROFILE HEAD SCREW @ 12" O.C.	NOT ALLOWED
TOP RUNNER TRACK OR ATTACHMENT PLATE OF FLOOR MOUNTED PARTITION TO STEEL BEAM	N/A	DOME HEAD 0.145" SHANK @ 24" O.C., MIN. 3/8" EMBED.

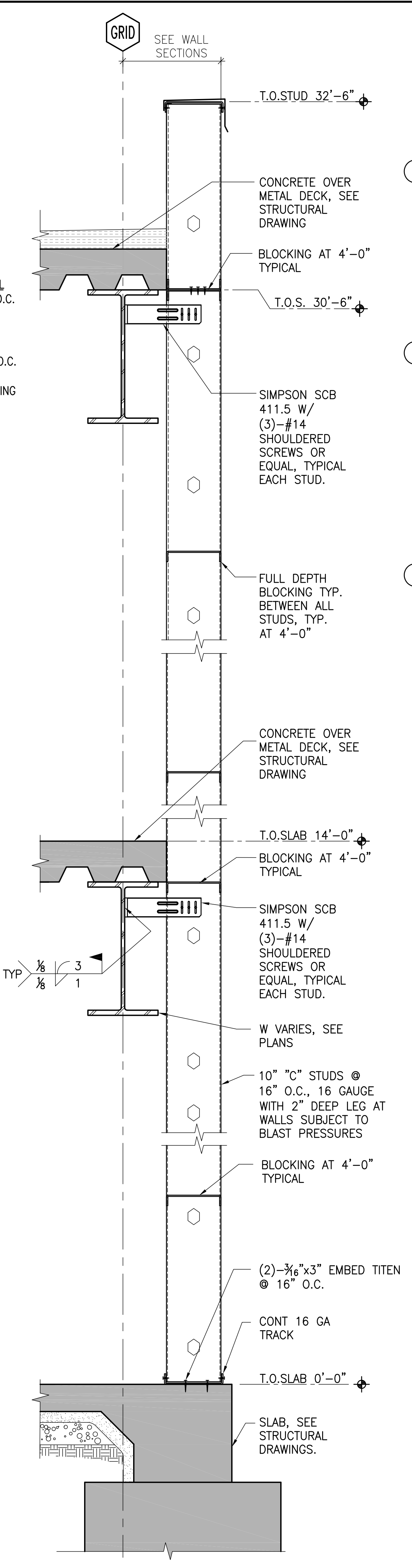
9 FRAMING NOTES & FASTENER SCHEDULE



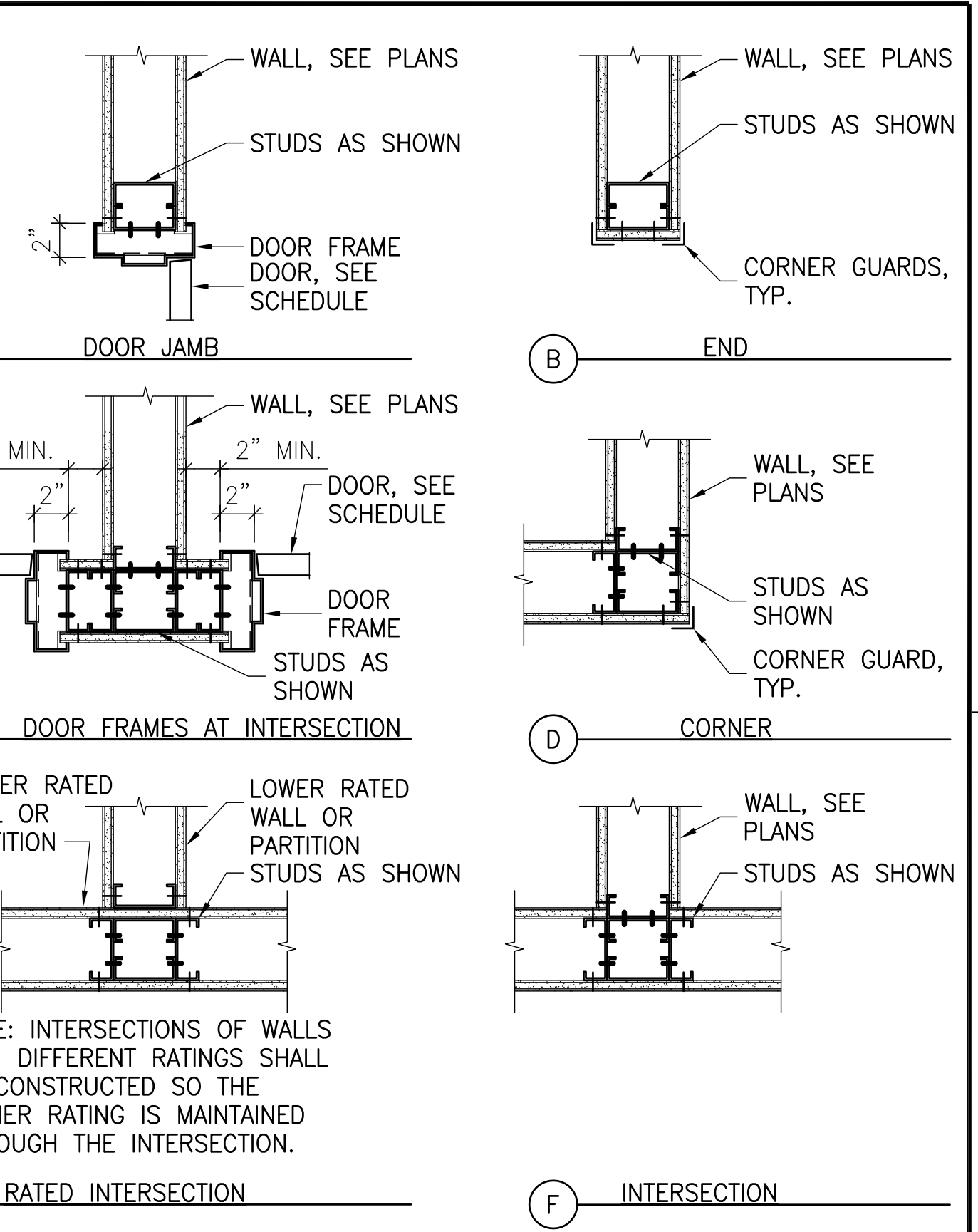
6 TYPICAL SUSPENDED METAL STUD WALL DETAIL NO SCALE



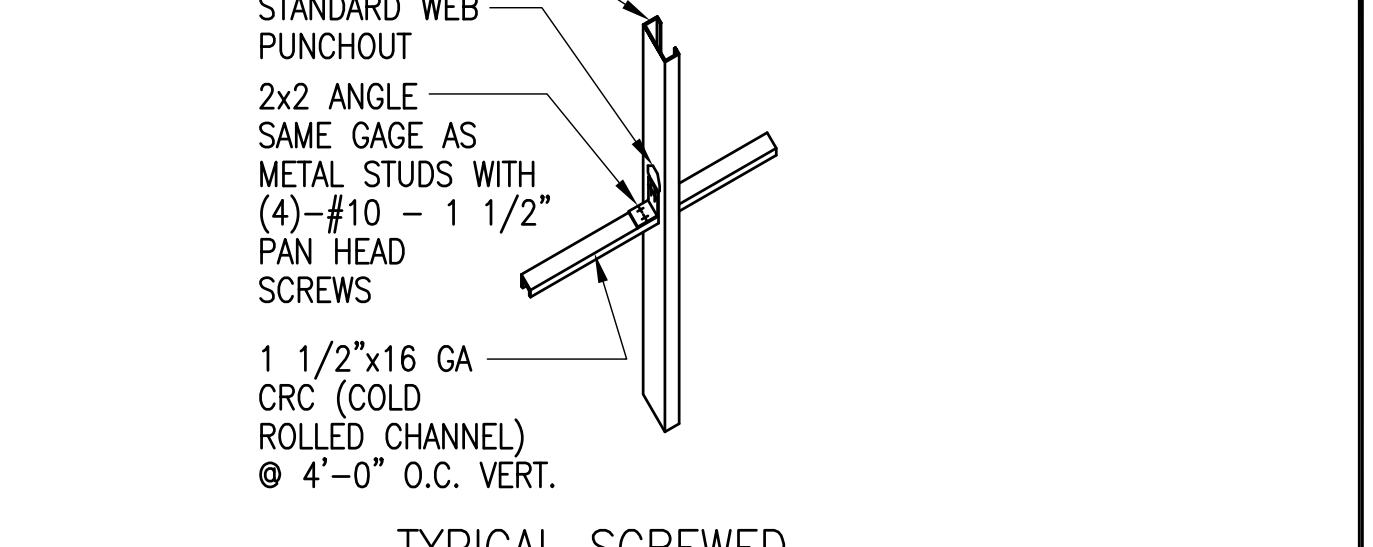
7 TYPICAL METAL TRACK TO METAL DECK DETAIL NO SCALE



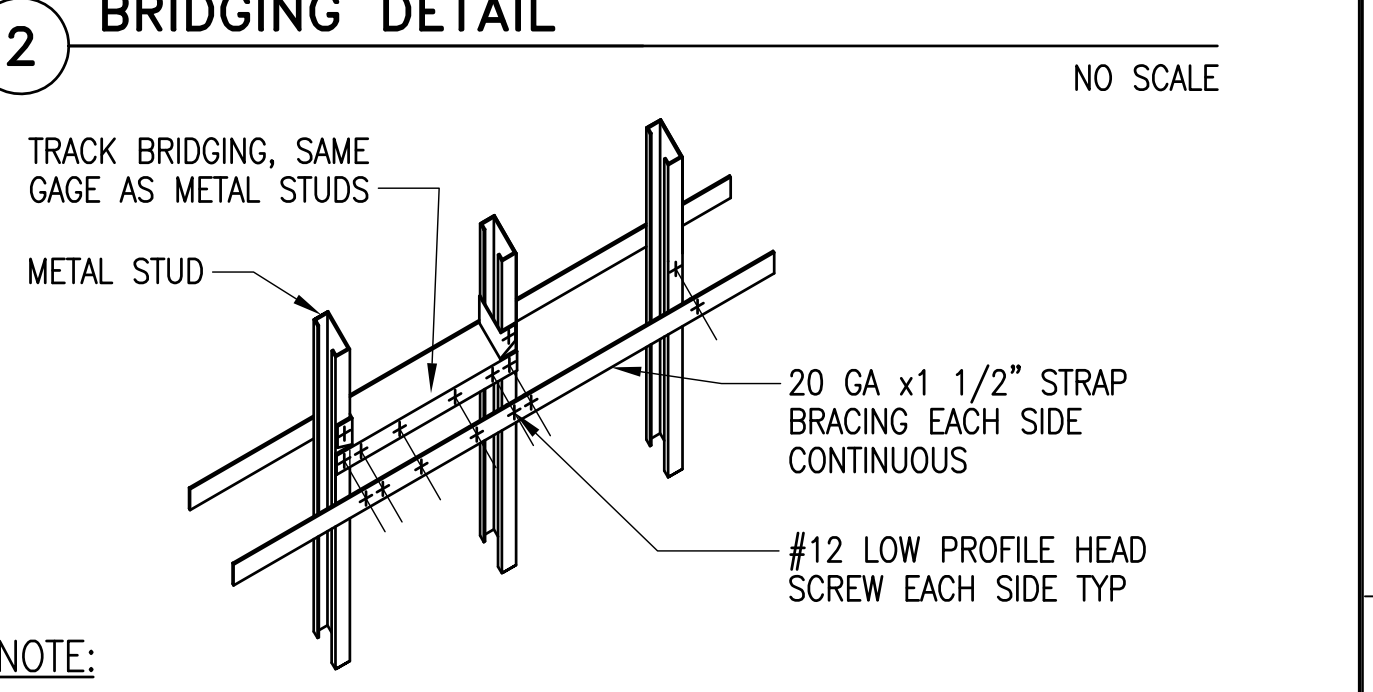
5 TYPICAL EXTERIOR METAL STUD WALL FRAMING SECTION 1"=1'-0"



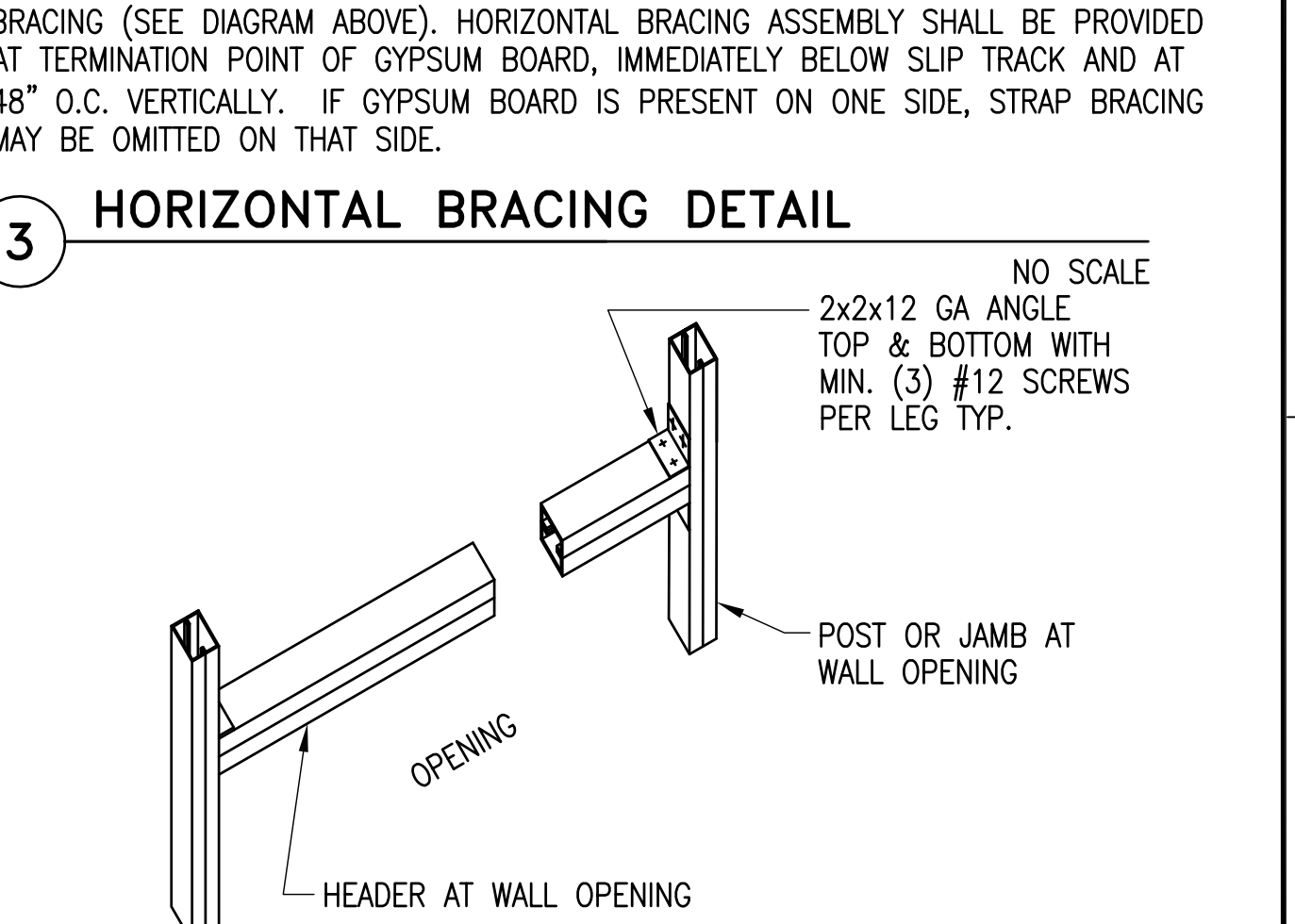
1 TYPICAL WALL FRAMING DETAILS NO SCALE



2 BRIDGING DETAIL NO SCALE



3 HORIZONTAL BRACING DETAIL NO SCALE



4 HEADER DETAIL NO SCALE

Revisions	Date

CONSULTANTS:

Syska Hennessy Group, Inc.
425 California Street
Suite 700
San Francisco, CA 94104
Tel: 415.288.9060
Fax: 415.835.0385
www.syska.com

Stamp and Signature

ARCHITECT/ENGINEERS:

ENGINEERS ARCHITECTS
ONE KAISER PLAZA SUITE 445
OAKLAND CALIFORNIA 94612
TEL 510.271.6701 FAX 510.271.6707

ARCHITECT/ENGINEERS:

ENGINEERS ARCHITECTS
ONE KAISER PLAZA SUITE 445
OAKLAND CALIFORNIA 94612
TEL 510.271.6701 FAX 510.271.6707

THE KPA GROUP ©THE KPA GROUP 2014
KPA Project No. 582.00

Drawing Title

TYPICAL EXTERIOR METAL STUD WALL FRAMING DETAILS

Approved Project Director

VAPAHCs PLANNING AND ENGINEERING

Project Title

ESTABLISH SUNNYVALE R AND D CAMPUS

Location

1080 INNOVATION WAY, SUNNYVALE, CA 94085

Date

11/25/2014

Checked

PWP

Drawn

KPA TEAM

Drawing Number

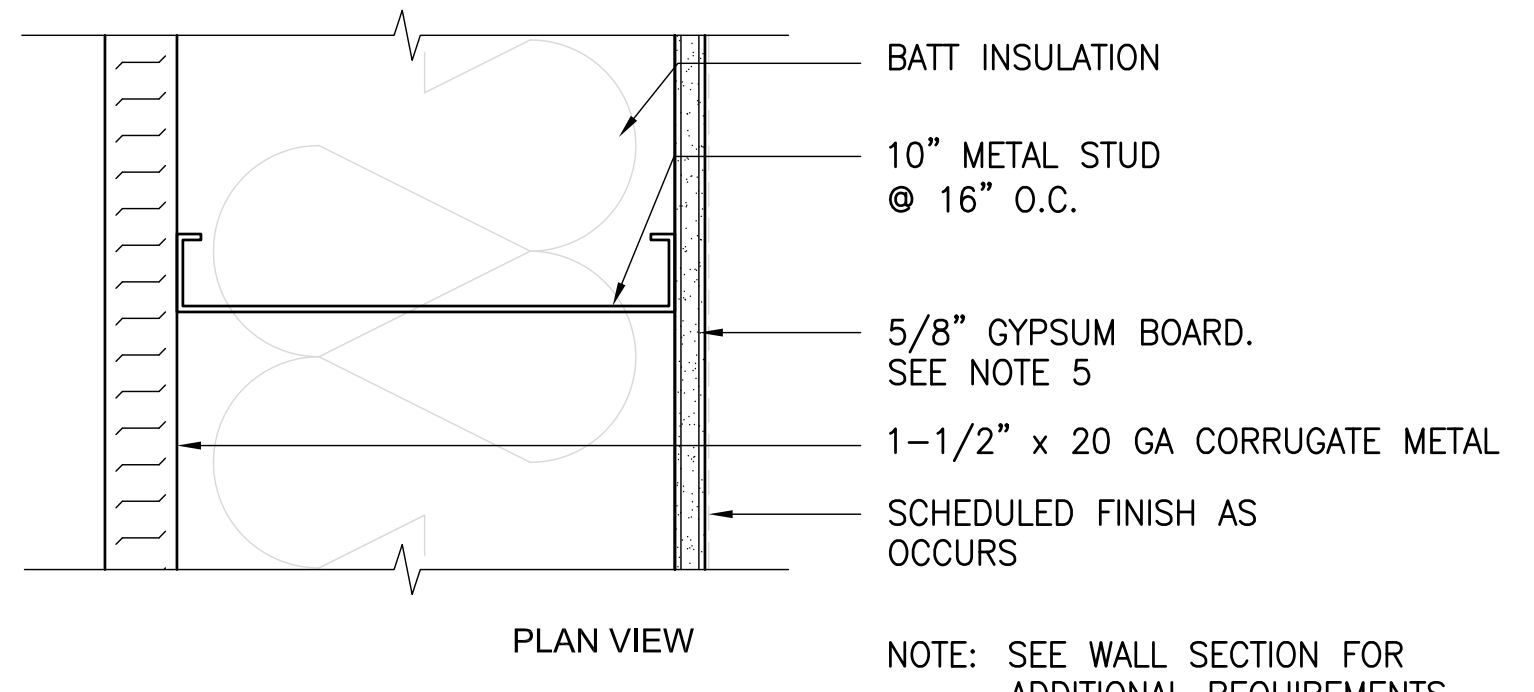
AE900

Dwg of

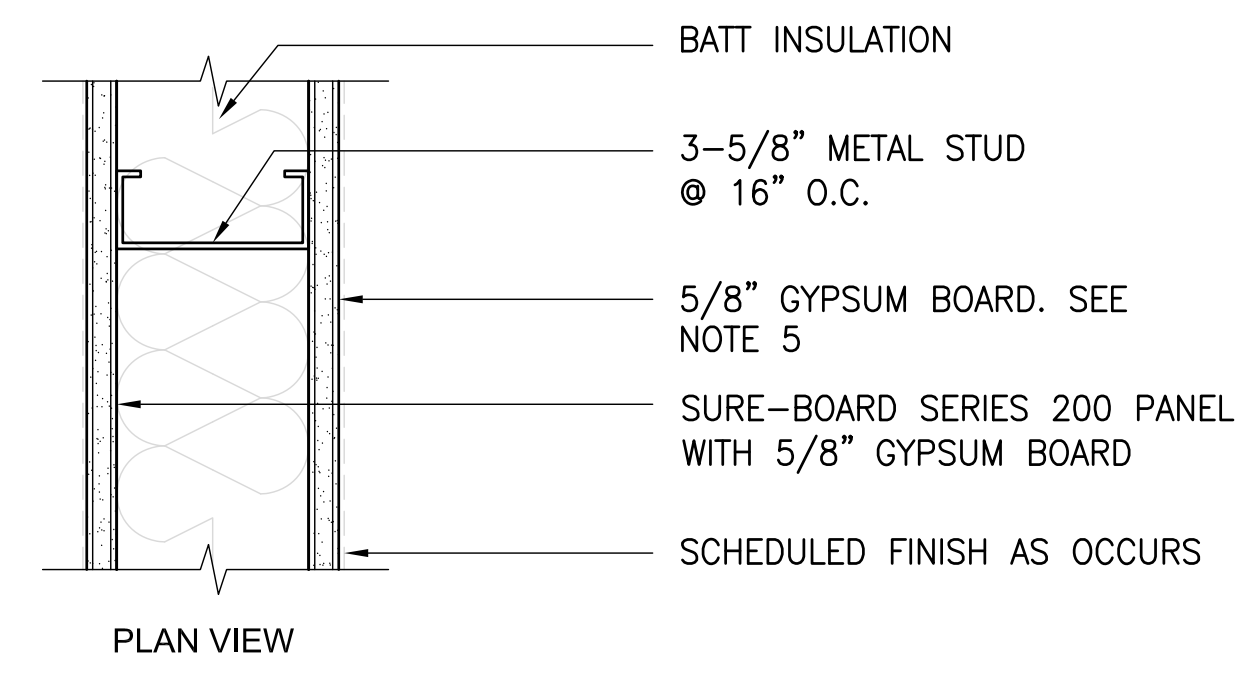
Office of Construction and Facilities Management

VAPAHCs

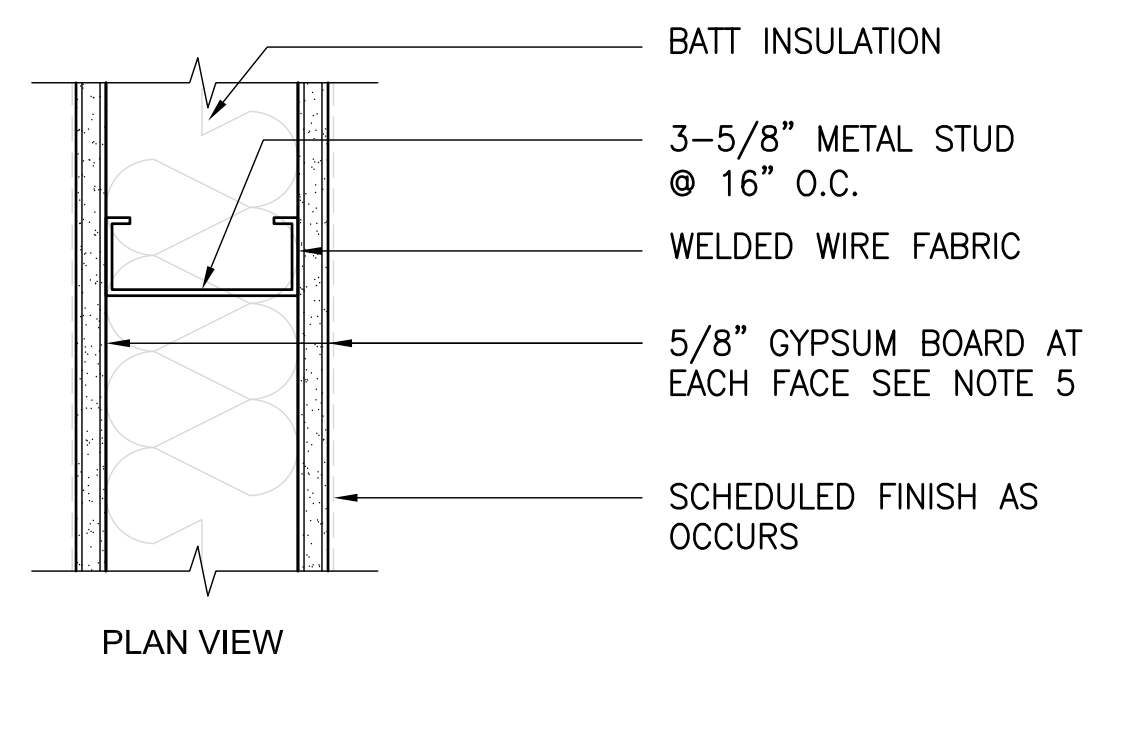
three inches = one foot
 one and one half inches = one foot
 one inch = one foot
 one quarter inch = one foot
 one half inch = one foot
 three eighths inch = one foot
 one eighth inch = one foot
 one quarter inch = one foot
 one eighth inch = one foot
 one eighth inch = one foot
 one eighth inch = one foot
 one eighth inch = one foot



8 WALL TYPE
 NOTE: SEE WALL SECTION FOR ADDITIONAL REQUIREMENTS TO RESIST BLAST PRESSURE

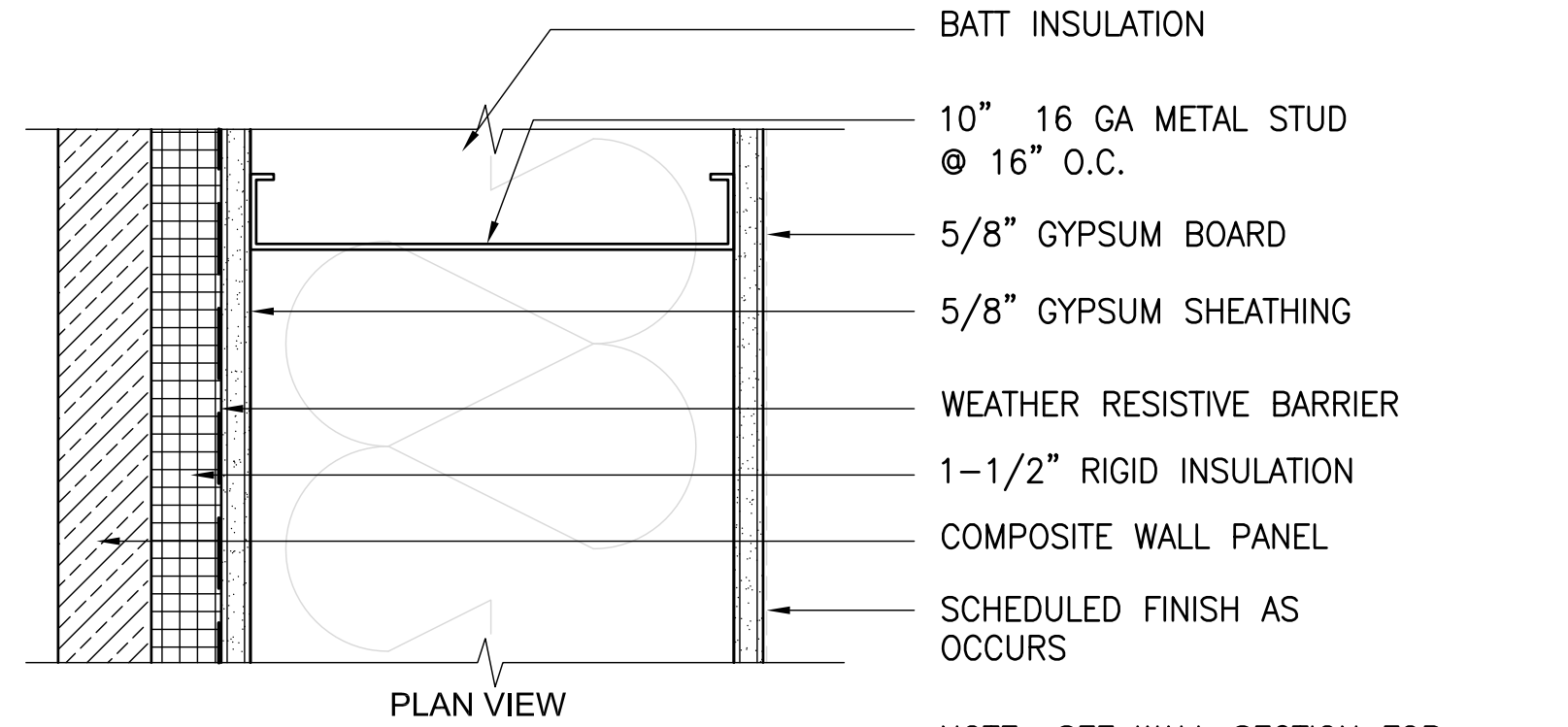


4B WALL TYPE

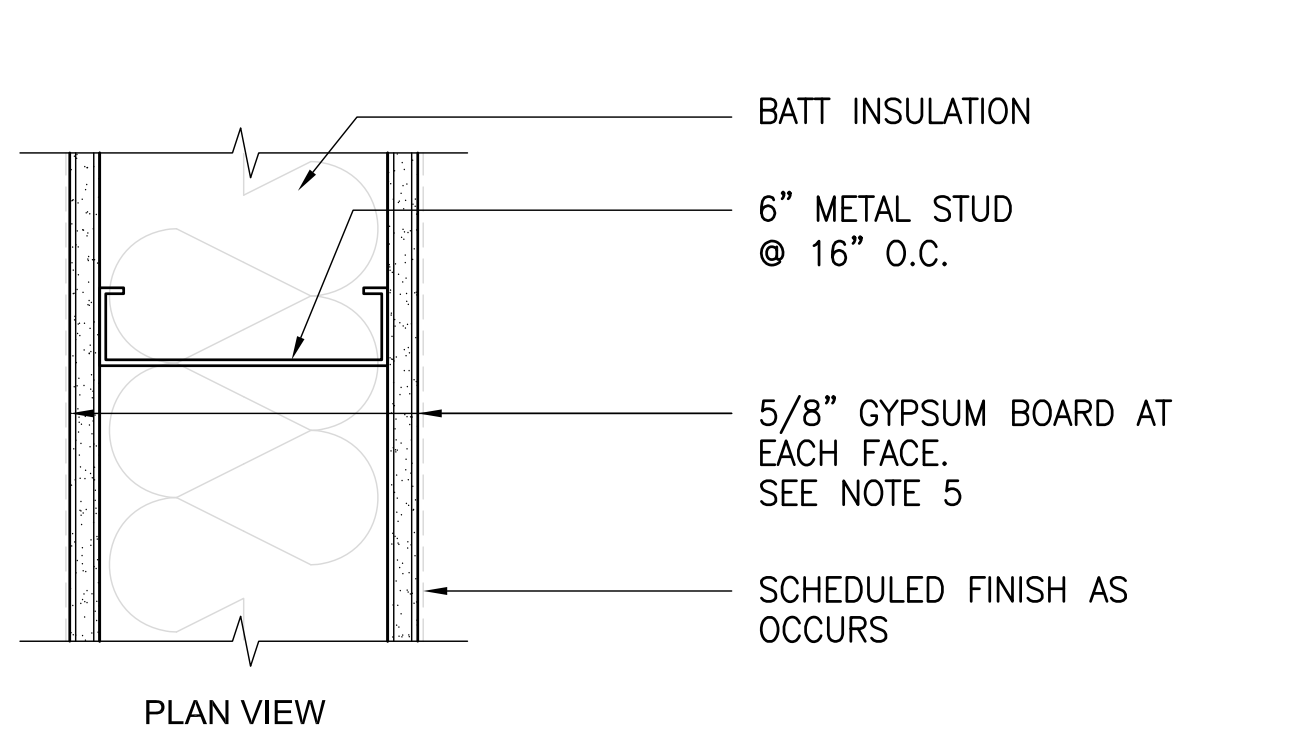


1 WALL TYPE

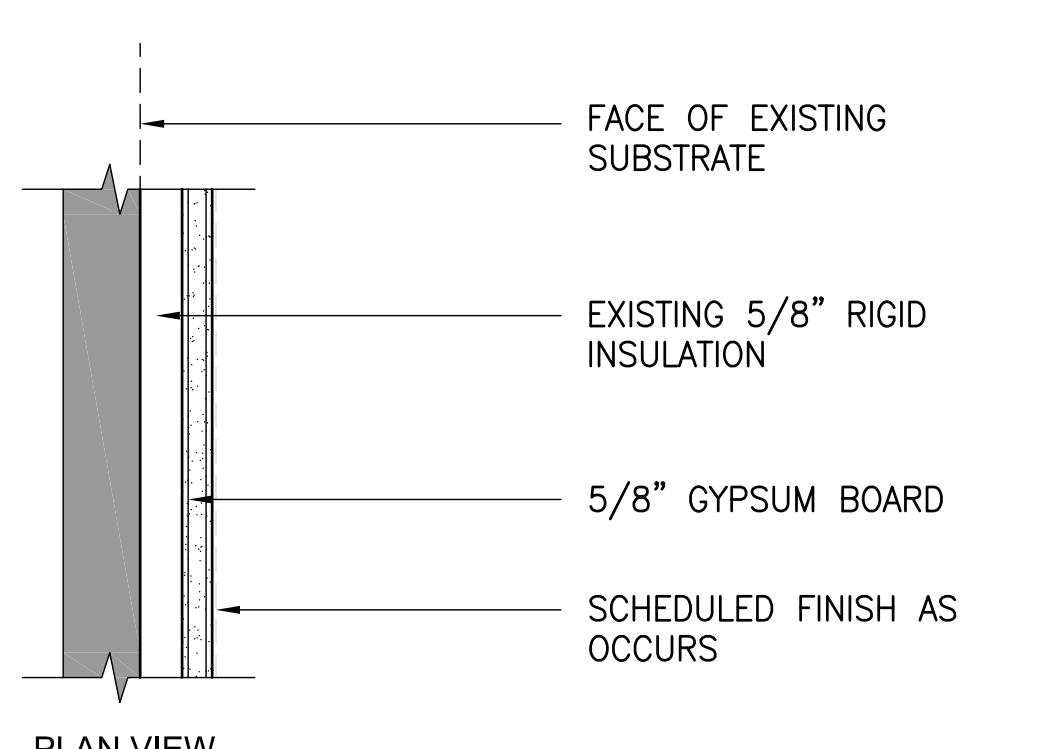
- GENERAL NOTES:**
- PARTITION TYPES INDICATE FRAMING REQUIREMENTS AND MATERIALS AT THE TOP AND BOTTOM OF STANDARD WALL TYPES. SEE WALL TYPES FOR STUD SIZES AND MATERIAL ASSEMBLIES.
 - ALL INTERIOR PARTITIONS SHALL BE FULL HEIGHT. UNLESS NOTED OTHERWISE.
 - METAL STUDS: SEE SHEET AE900 FOR METAL STUD CONSTRUCTION INFORMATION.
 - LEVELING: PROVIDE LEVELING NON-SHRINK GROUT UNDER ALL NEW METAL STUD WALLS AS REQUIRED TO MAINTAIN ± 1/8" PER 10' UNDER WALL. TYPICAL AT ALL LOCATION.
 - GYPSUM BOARD: ALL GYPSUM BOARD SHALL BE 5/8 INCH TYPE X UNLESS OTHERWISE NOTED. SUBSTITUTE TYPE X MOISTURE RESISTANT GYPSUM BOARD IN TOILET ROOMS, TOILET ROOM VESTIBULES, JANITOR CLOSETS, PLUMBING SHAFTS AND ALL OTHER LOCATIONS SUBJECT TO MOISTURE. SUBSTITUTE 5/8 INCH TYPE X TILE BACKER BOARD IN ALL LOCATIONS WHERE CERAMIC TILE WILL BE ADHERED TO WALL AND AT TERRAZZO BASE. SUBSTITUTE 5/8 INCH TYPE X VENEER PLASTER BASE IN ALL LOCATIONS WHERE VENEER PLASTER FINISH WILL BE APPLIED.
 - BACKING PLATES: PROVIDE STEEL PLATE AND/OR STUD BACKING AS INDICATED OR AS REQUIRED FOR ALL SIGNAGE, RAILINGS, CABINET, TV, SHELVEING, GRAB BARS, TOILET PARTITIONS, TOILET ACCESSORIES, AND OTHER ITEMS FASTENED TO PARTITIONS. COORDINATE INSTALLATION OF BACKING WITH OTHER TRADES. SEE SHEET AS900.
 - NON FIRE-RATED CONSTRUCTION: ALL NON FIRE-RATED CONSTRUCTION SHALL BE BUILT AS REQUIRED FOR ONE-HOUR FIRE RESISTANCE. EXCEPT THAT RECESSED ITEMS AND PENETRATIONS MAY PASS THROUGH THIS PARTITION UNPROTECTED. PROVIDE SEALANT OR CAULK AROUND PENETRATIONS.
 - VERIFY DEPTH AND SUBSTRATE CONDITIONS AT EXISTING WALLS



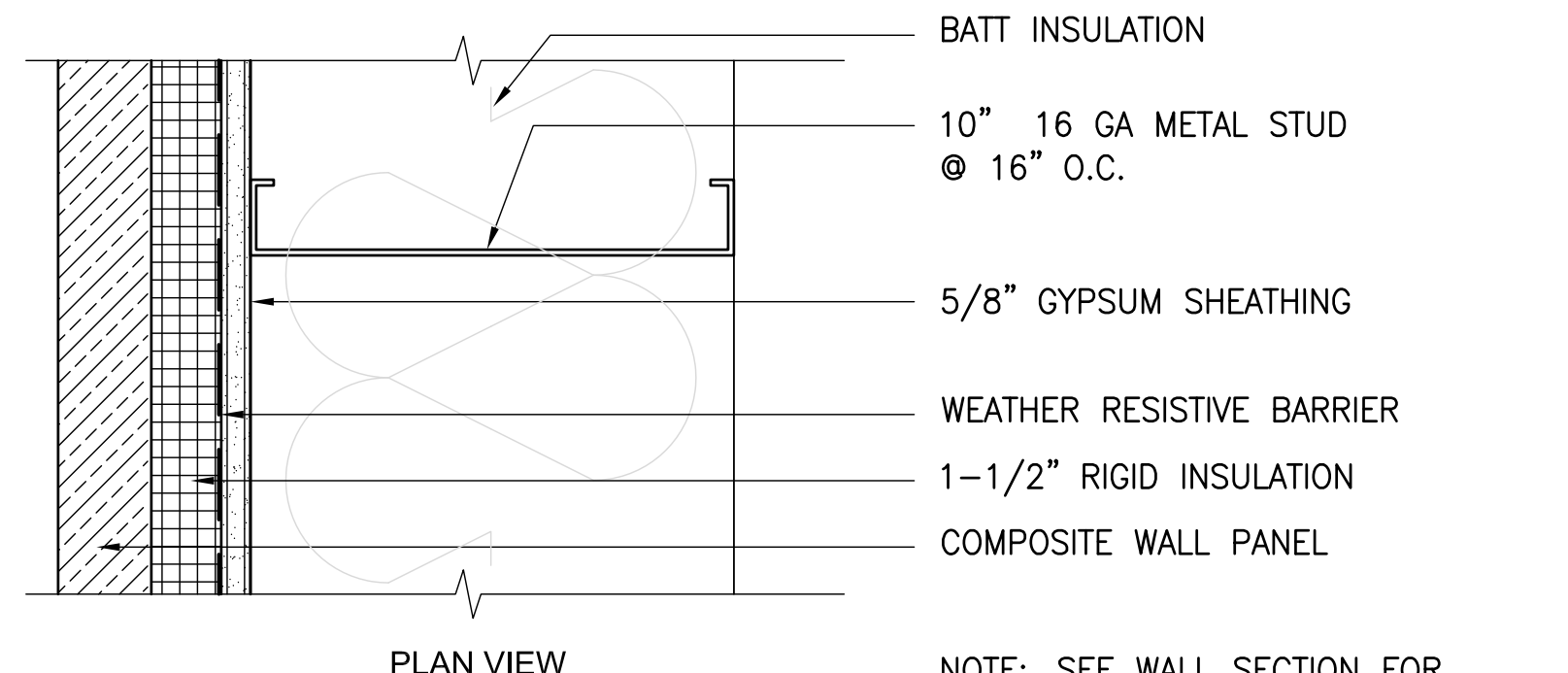
9A WALL TYPE
 NOTE: SEE WALL SECTION FOR ADDITIONAL REQUIREMENTS TO RESIST BLAST PRESSURE



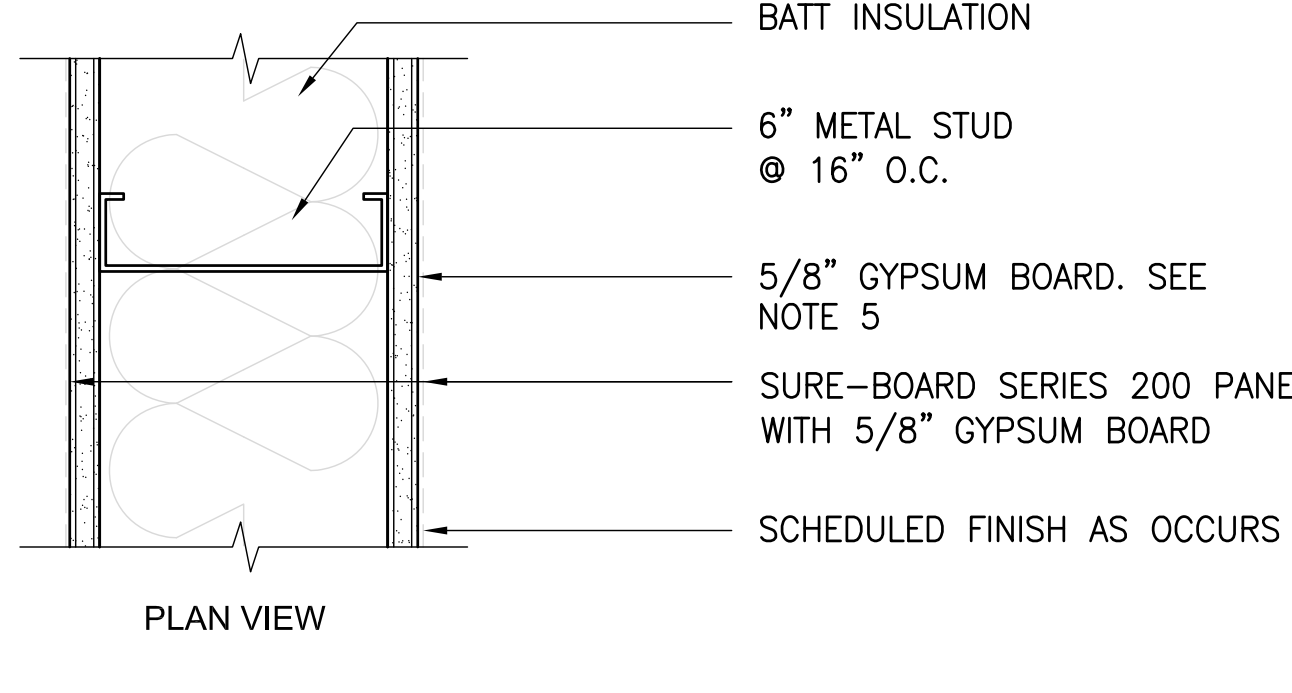
5A WALL TYPE



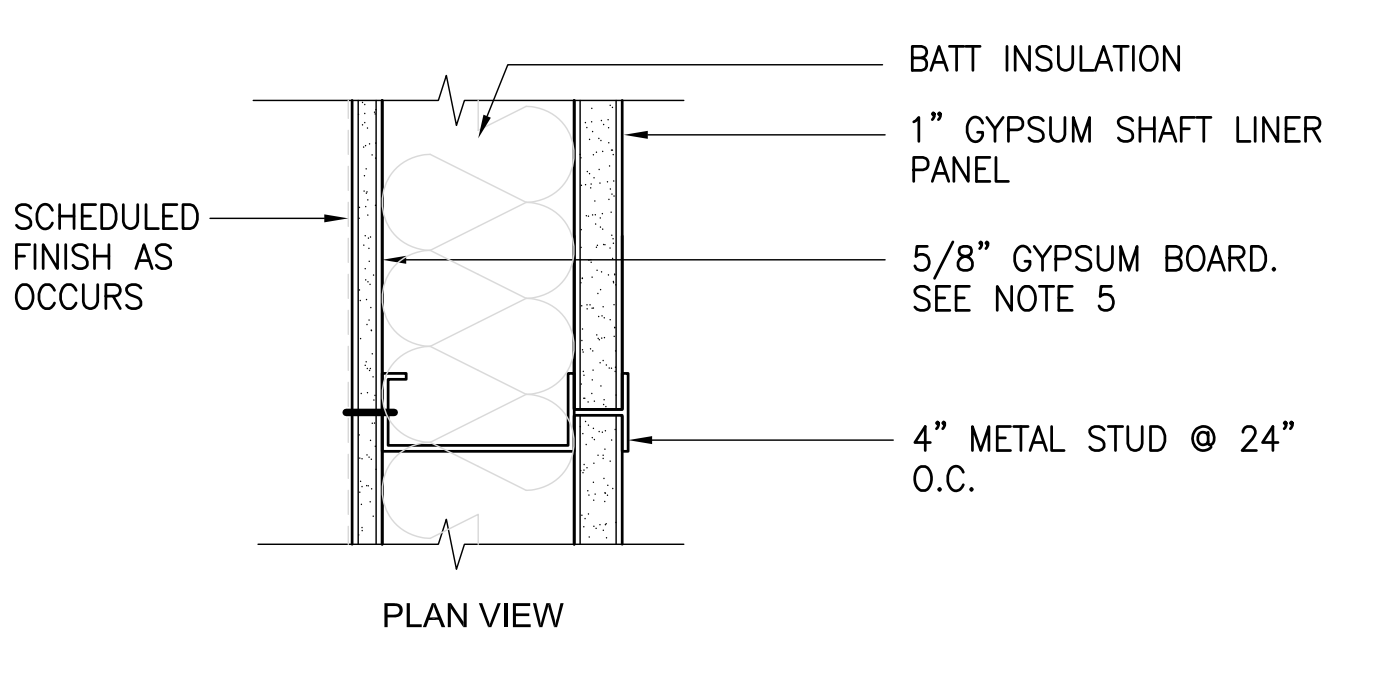
2 WALL TYPE



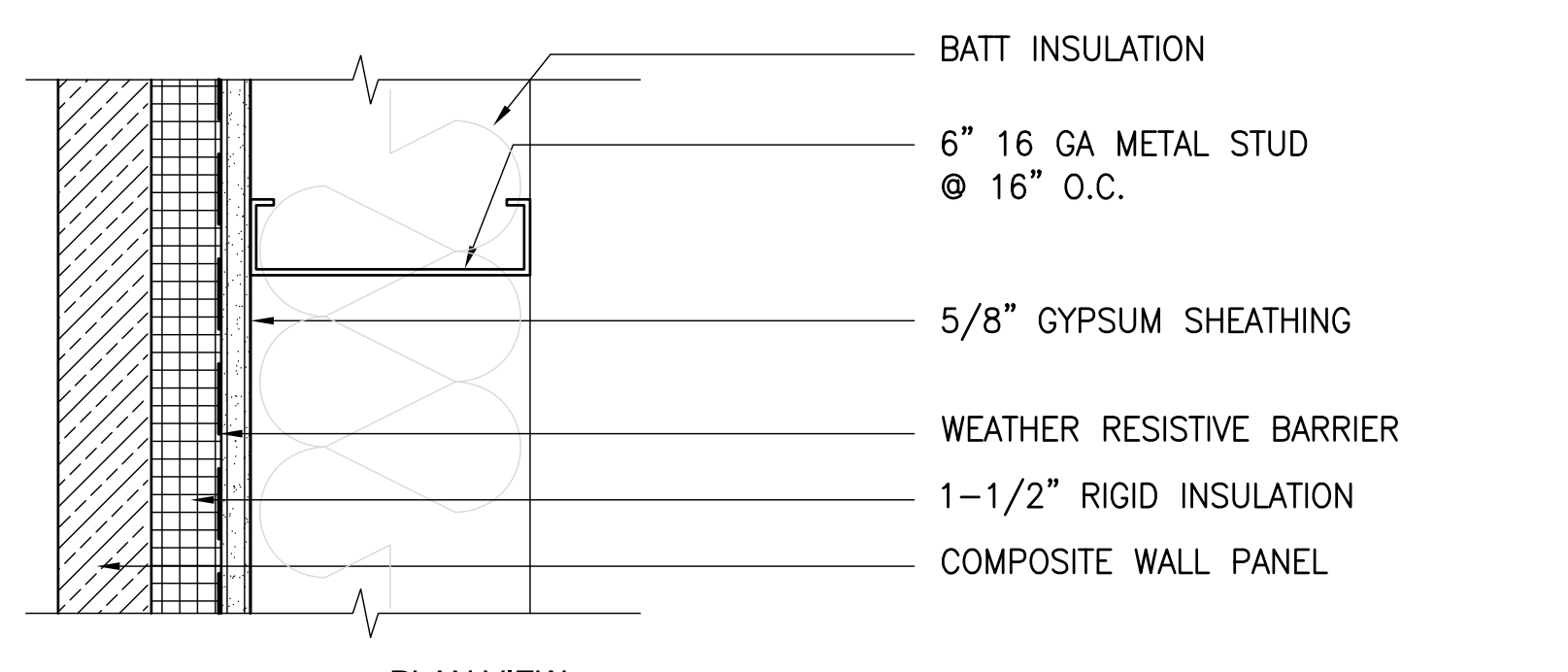
9B WALL TYPE
 NOTE: SEE WALL SECTION FOR ADDITIONAL REQUIREMENTS TO RESIST BLAST PRESSURE



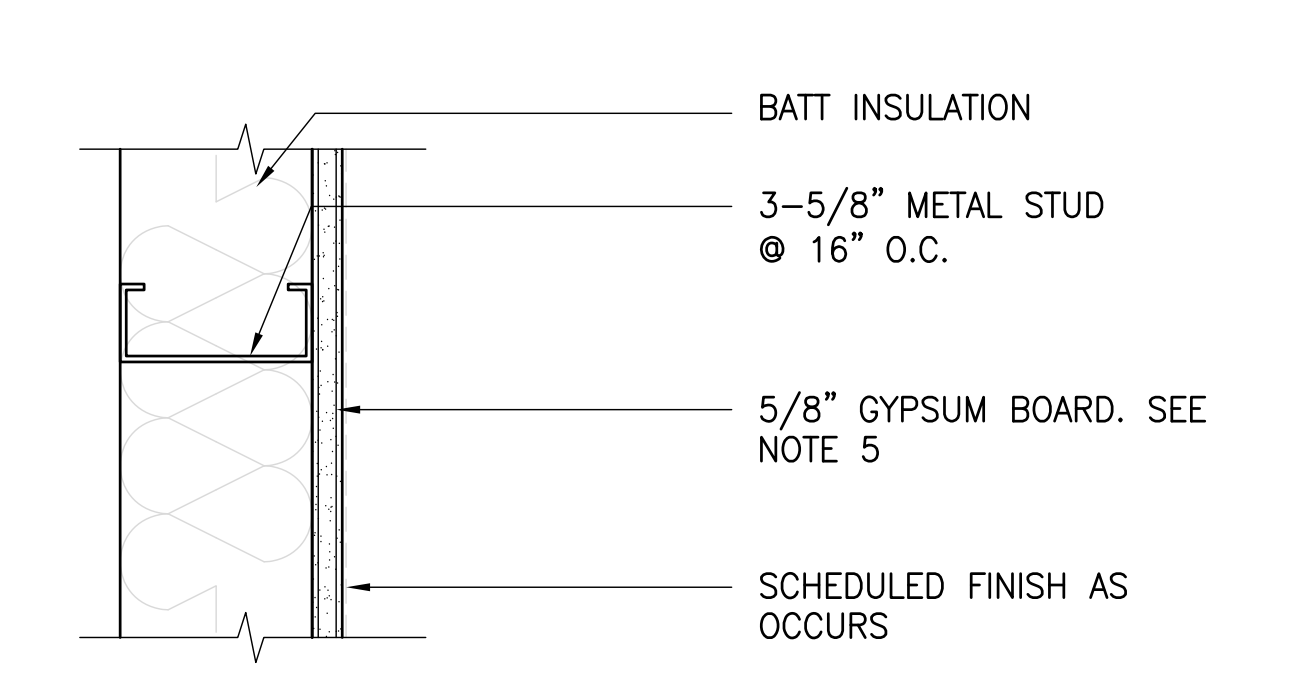
5B WALL TYPE



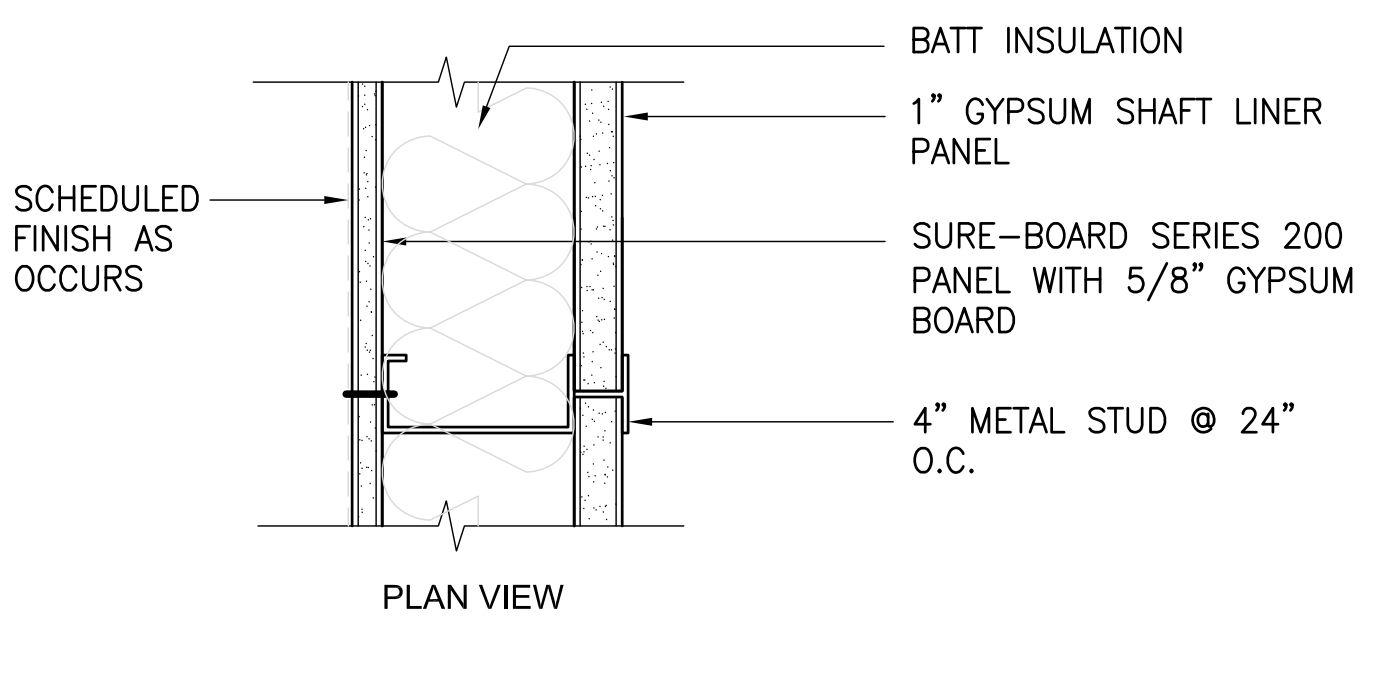
3A WALL TYPE UL DESU 415



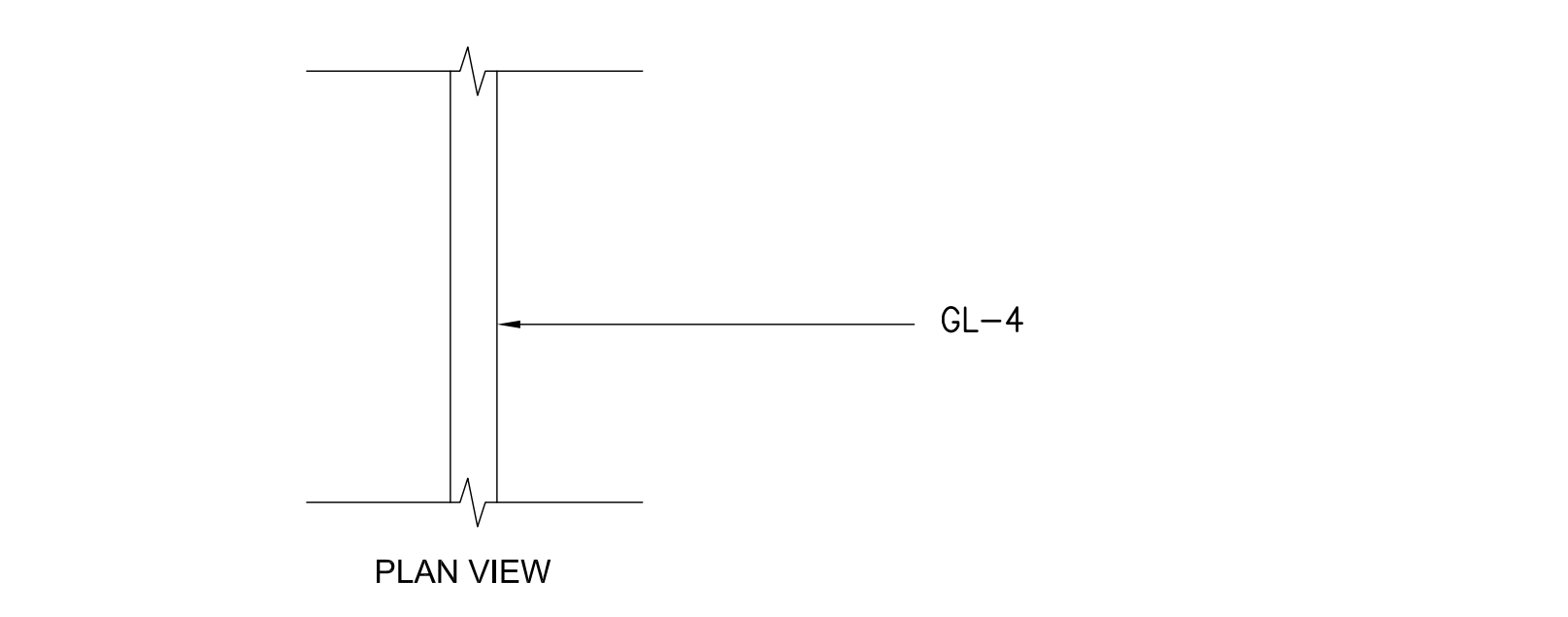
9C WALL TYPE
 NOTE: SEE WALL SECTION FOR ADDITIONAL REQUIREMENTS TO RESIST BLAST PRESSURE



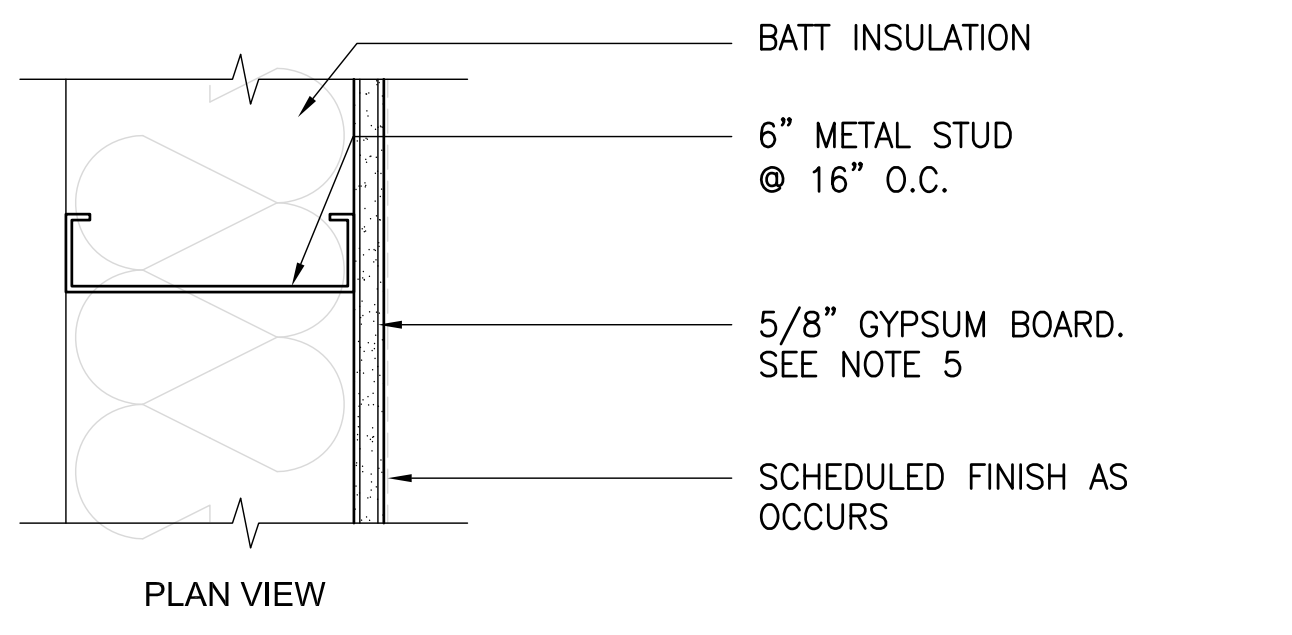
6 WALL TYPE



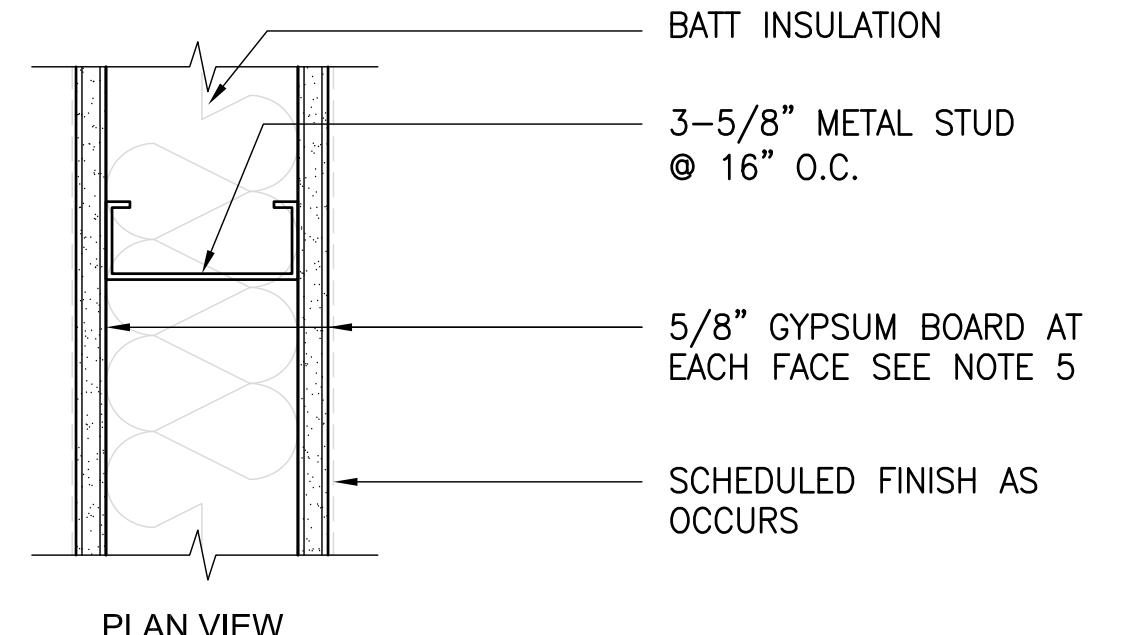
3B WALL TYPE UL DESU 415



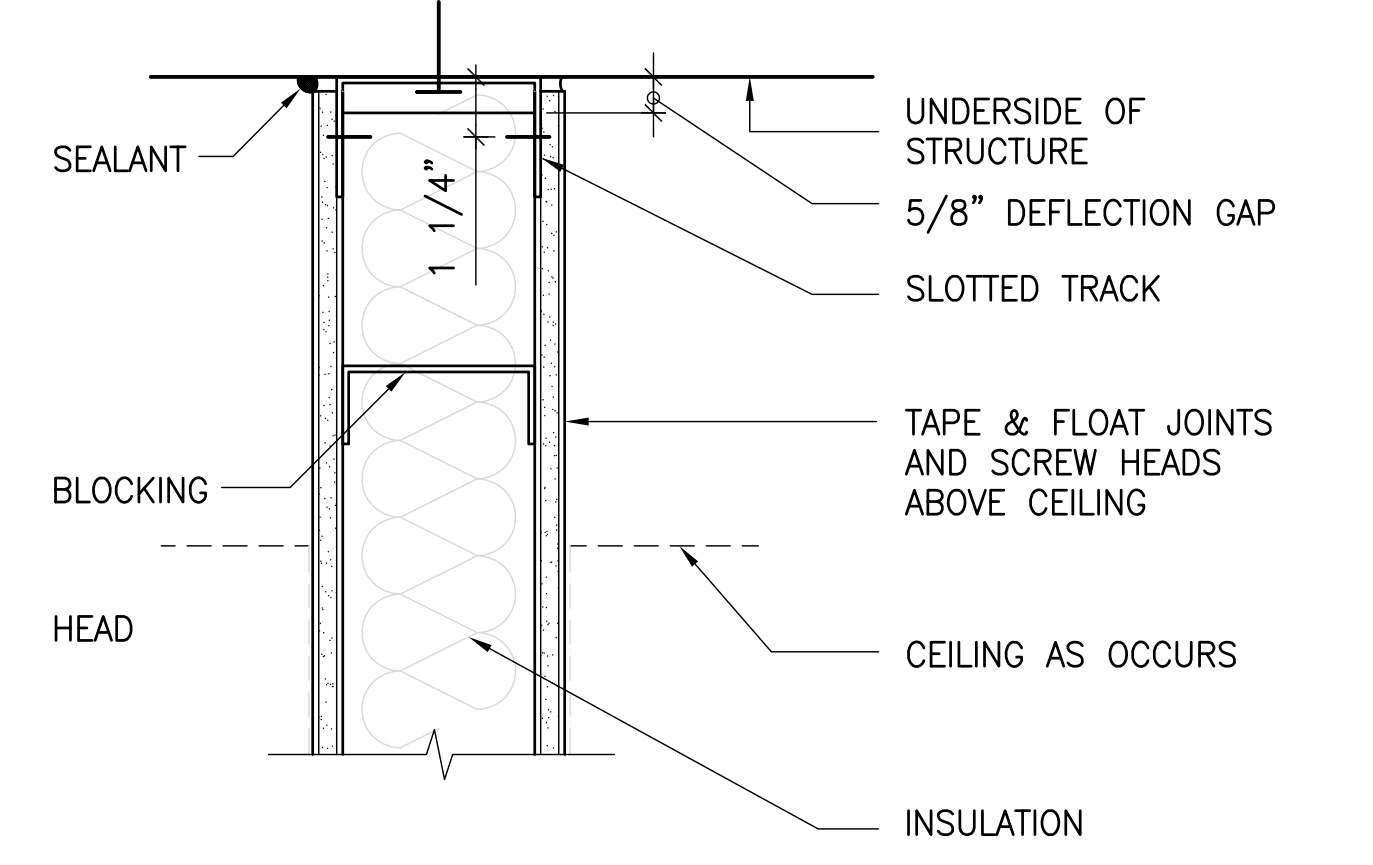
10 WALL TYPE



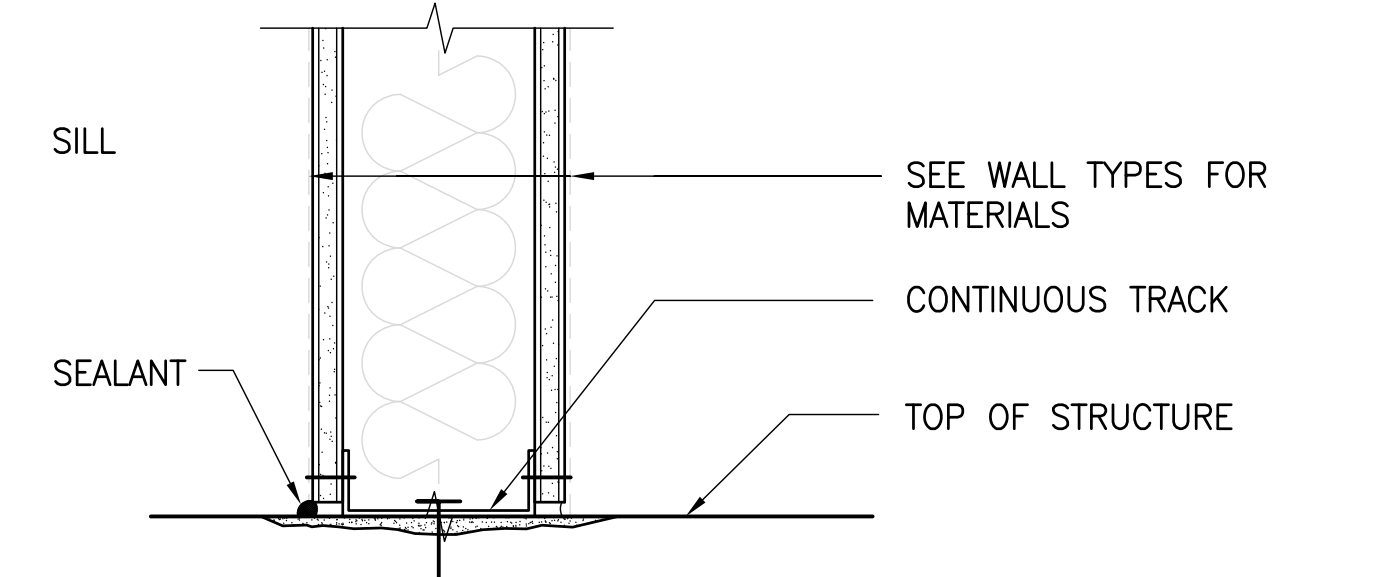
7 WALL TYPE



4A WALL TYPE



1 PARTITION TYPE - TYPICAL
 FULL HEIGHT, NON-RATED NO SCALE



Revisions	Date

CONSULTANTS:

SYSKA HENNESSY GROUP
 A member company of SH Group, Inc.
 Syska Hennessy Group, Inc.
 425 California Street
 Suite 700
 San Francisco, CA 94104
 Tel: 415.288.9060
 Fax: 415.835.0385
 www.syskad.com

Stamp and Signature

PAUL W. POWERS
 C-29713
 REGISTERED ARCHITECT
 STATE OF CALIFORNIA

ARCHITECT/ENGINEERS:

ENGINEERS ARCHITECTS
 ONE KAISER PLAZA SUITE 445
 OAKLAND CALIFORNIA 94612
 TEL 510.271.6701 FAX 510.271.6707
 ©THE KPA GROUP 2014
 KPA Project No. 582.00

Drawing Title
**DETAILS
 WALL AND PARTITION TYPES**

Approved Project Director
 VAPAHCS PLANNING AND ENGINEERING

Project Title
**ESTABLISH
 SUNNYVALE R AND D
 CAMPUS**

Project Number
 640-397

Building Number
 1002

Drawing Number
AE901

Location
 1080 INNOVATION WAY, SUNNYVALE, CA 94085

Date
 11/25/2014

Checked
 PWP

Drawn
 KPA TEAM

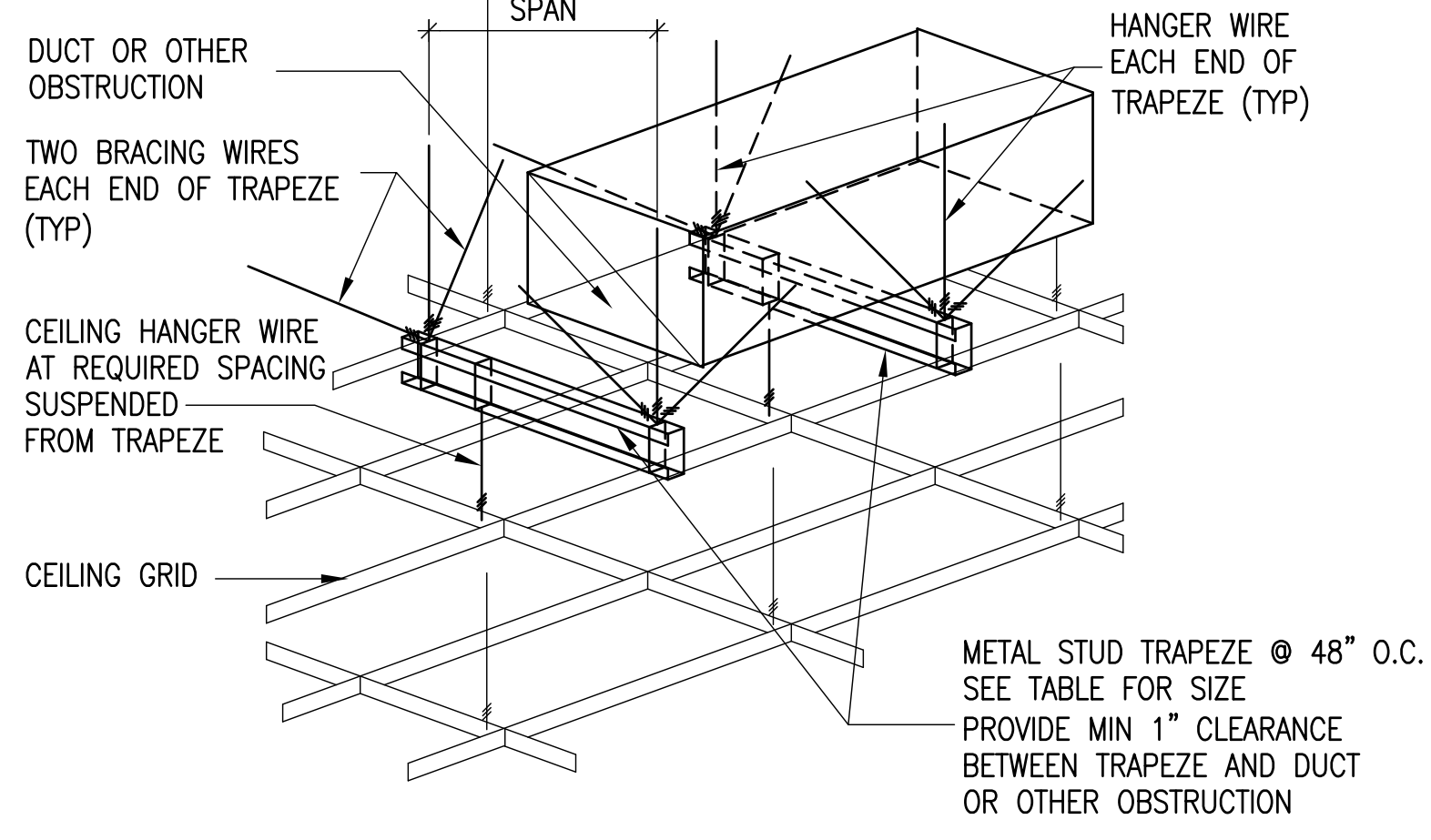
Dwg of

FULLY SPRINKLERED

Office of
 Construction
 and Facilities
 Management

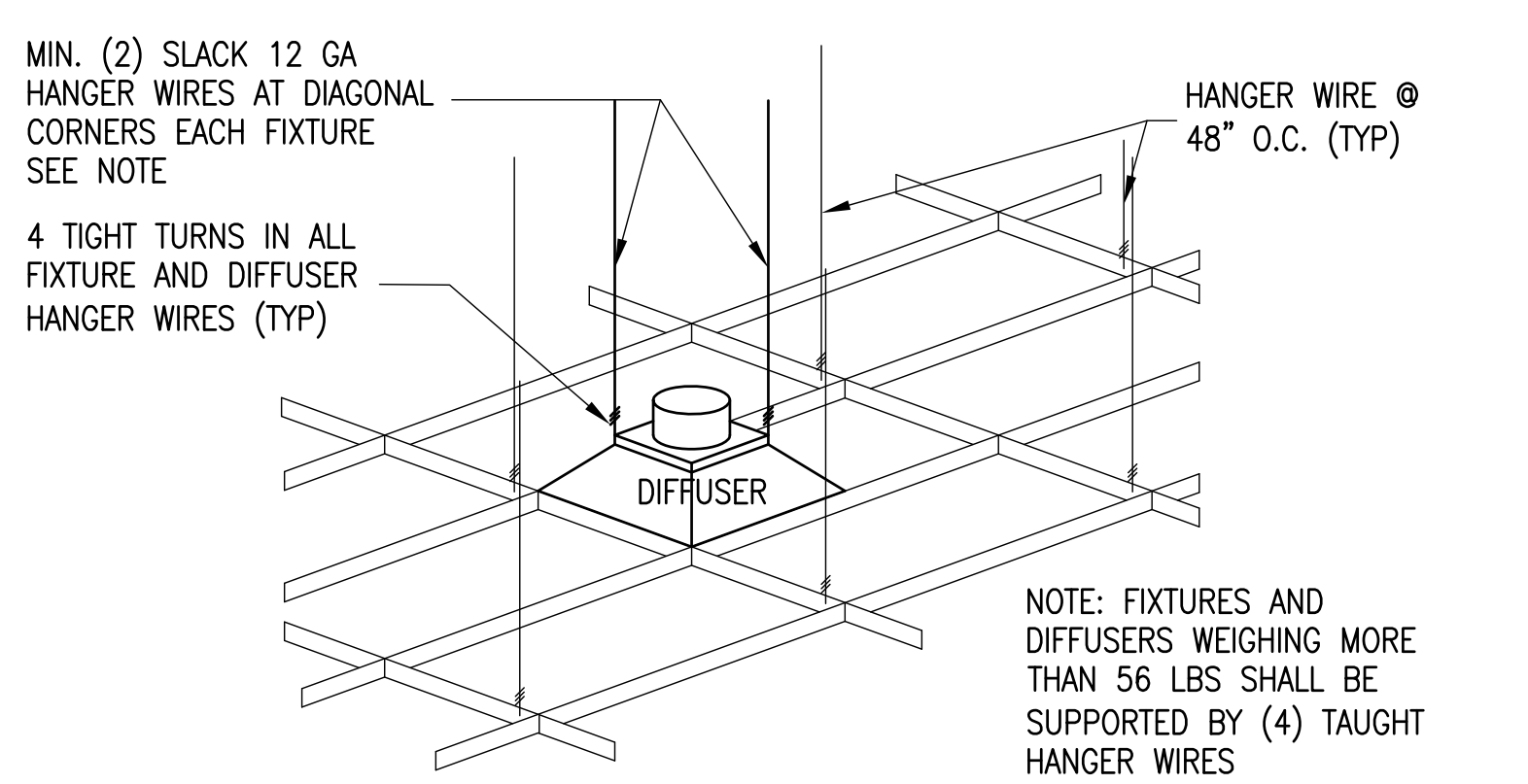
VAPAHCS
 Veterans Affairs - Palo Alto Health Care System

three inches = one foot
 one and one half inches = one foot
 one inch = one foot
 one quarter inch = one foot
 three quarters inch = one foot
 one half inch = one foot
 one quarter inch = one foot
 three eighths inch = one foot
 one eighth inch = one foot

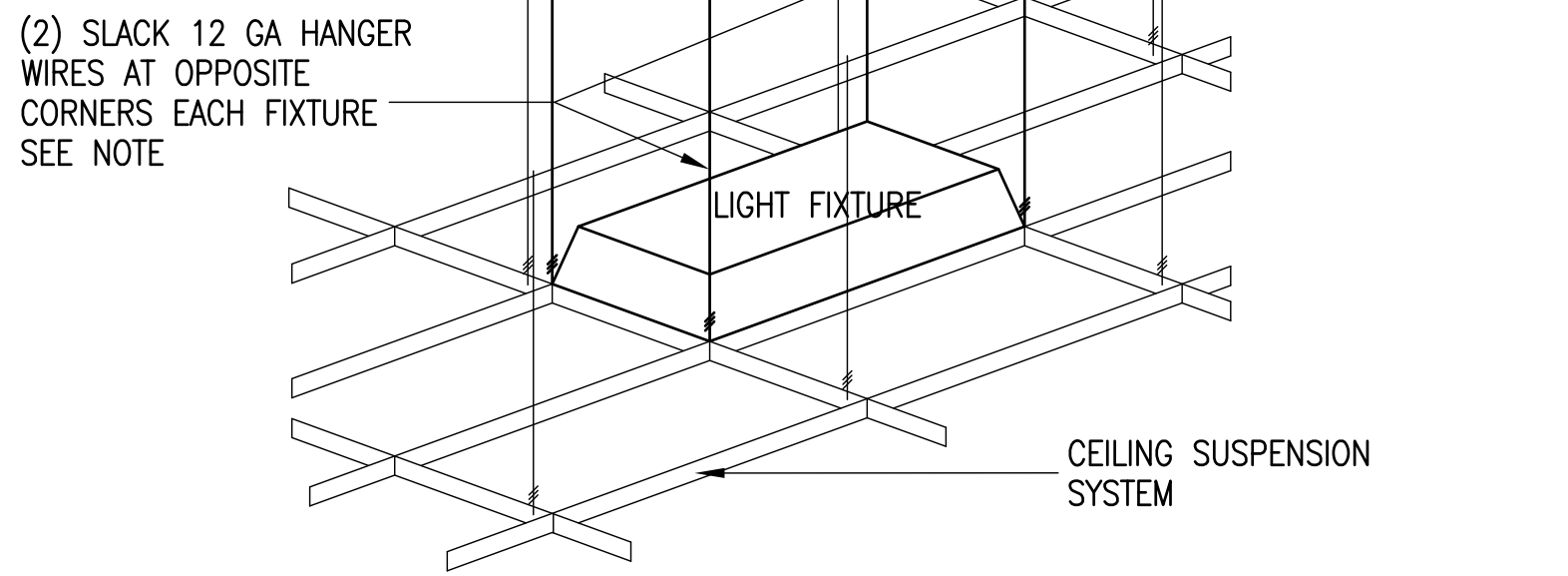


TRAPEZE FRAMING SIZE		TRAPEZE SIZE
UP TO 4'-0"	(2) 2 1/2" x 1 5/8" x 16 GA MTL STUD EACH SIDE	
UP TO 8'-0"	(2) 4" x 1 5/8" x 16 GA MTL STUD EACH SIDE	
UP TO 12'-0"	(2) 6" x 1 5/8" x 16 GA MTL STUD EACH SIDE	

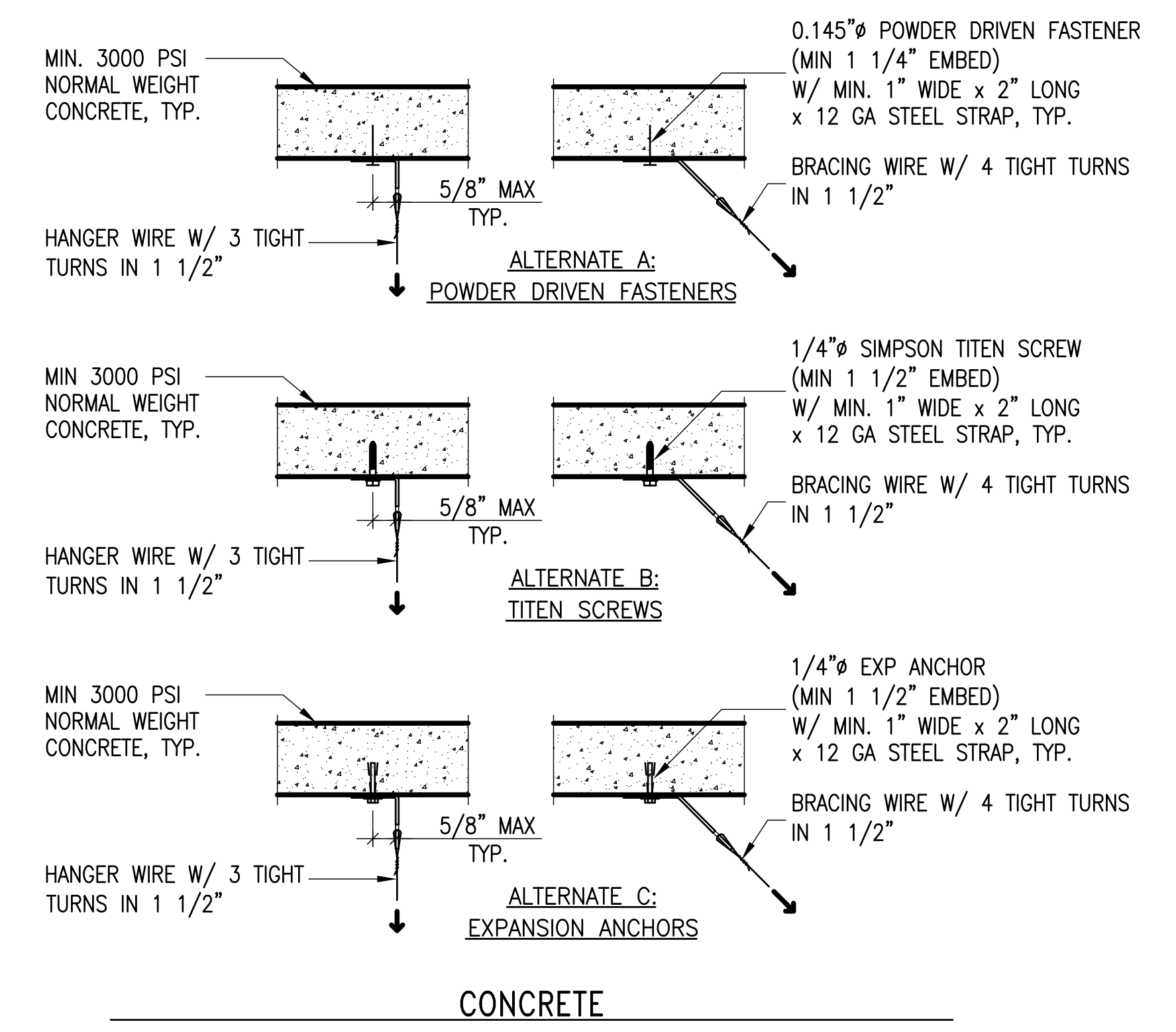
10 TYP. TRAPEZE FRAMING AT SUSPENDED CEILINGS NO SCALE



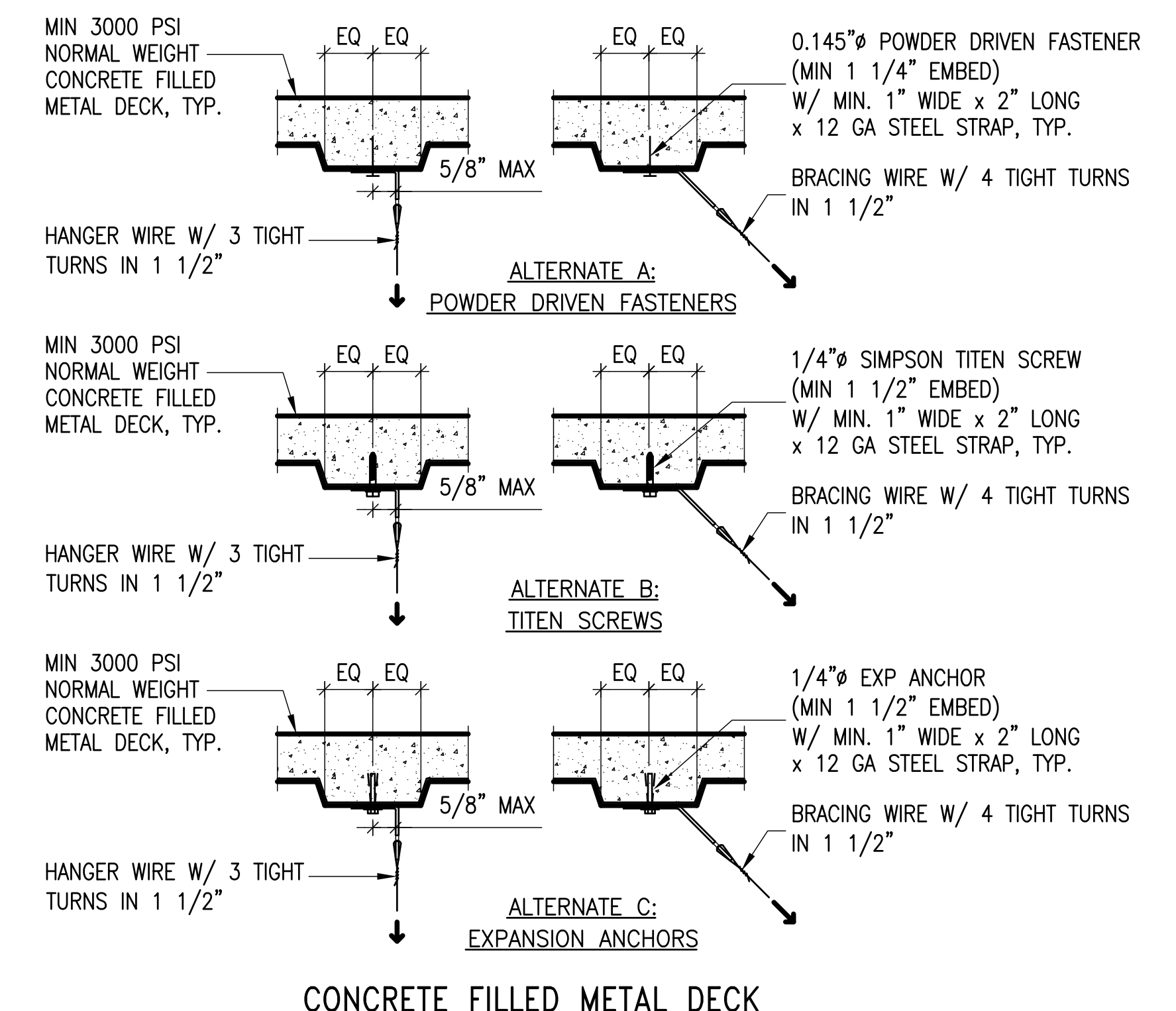
11 TYP. RECESSED FIXTURE & DIFFUSER MOUNTING AT SUSP. CEILINGS NO SCALE



12 BULKHEAD 1 1/2" = 1'-0"



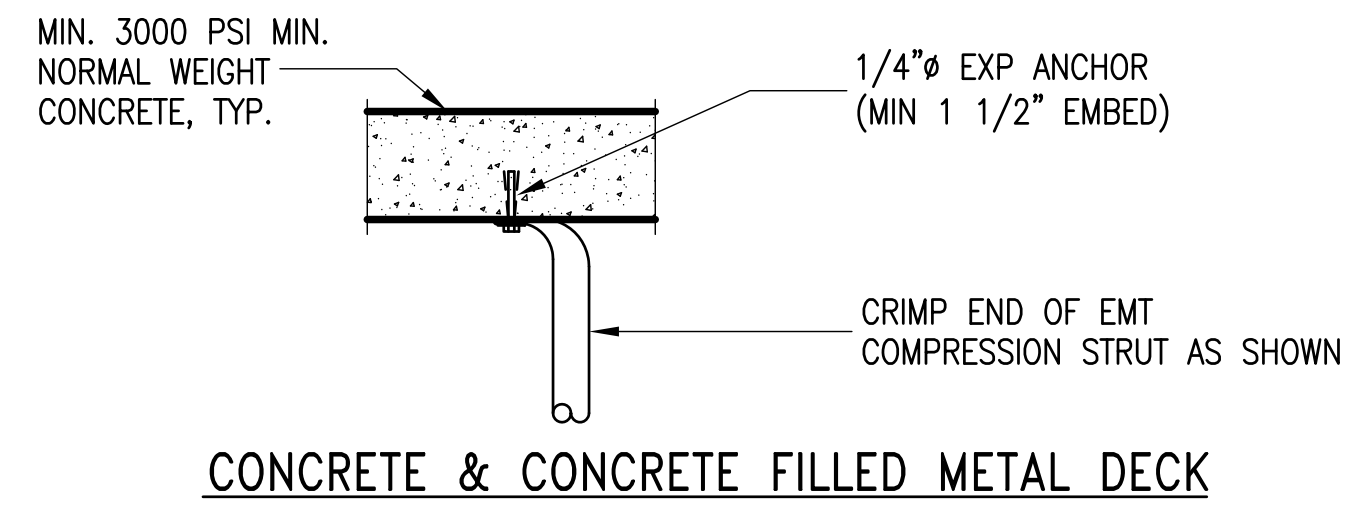
CONCRETE



CONCRETE FILLED METAL DECK

- NOTES:
- POWDER DRIVEN FASTENERS MAY ONLY BE USED WHEN PERMITTED BY CODE AND BY THE GOVERNMENT.
 - WHEN DRILLED-IN OR POWDER DRIVEN ANCHORS ARE USED IN REINFORCED CONCRETE FOR HANGER WIRES, 1 OUT OF 10 MUST BE FIELD TESTED FOR 200 LBS TENSION.
 - WHEN DRILLED-IN OR POWDER DRIVEN ANCHORS ARE USED IN REINFORCED CONCRETE FOR BRACING WIRES, 1 OUT OF 2 MUST BE FIELD TESTED FOR 400 LBS TENSION.
 - IF ANY DRILLED-IN OR POWDER DRIVEN ANCHOR FAILS, ALL ADJACENT ANCHORS MUST BE TESTED.
 - HILTI HHDA 1/4" CEILING HANGER OR HILTI X-CW U27 CEILING WIRE ASSEMBLY MAY BE SUBSTITUTED FOR THE ANCHORS NOTED ABOVE FOR HANGER WIRES IN CONCRETE OR CONCRETE FILLED METAL DECK. HHDA AND X-CW U27 MAY NOT BE USED AT BRACING WIRES.

8 TYP. CEILING HANGER & BRACING WIRE ATTACHMENT TO STRUCTURE NO SCALE

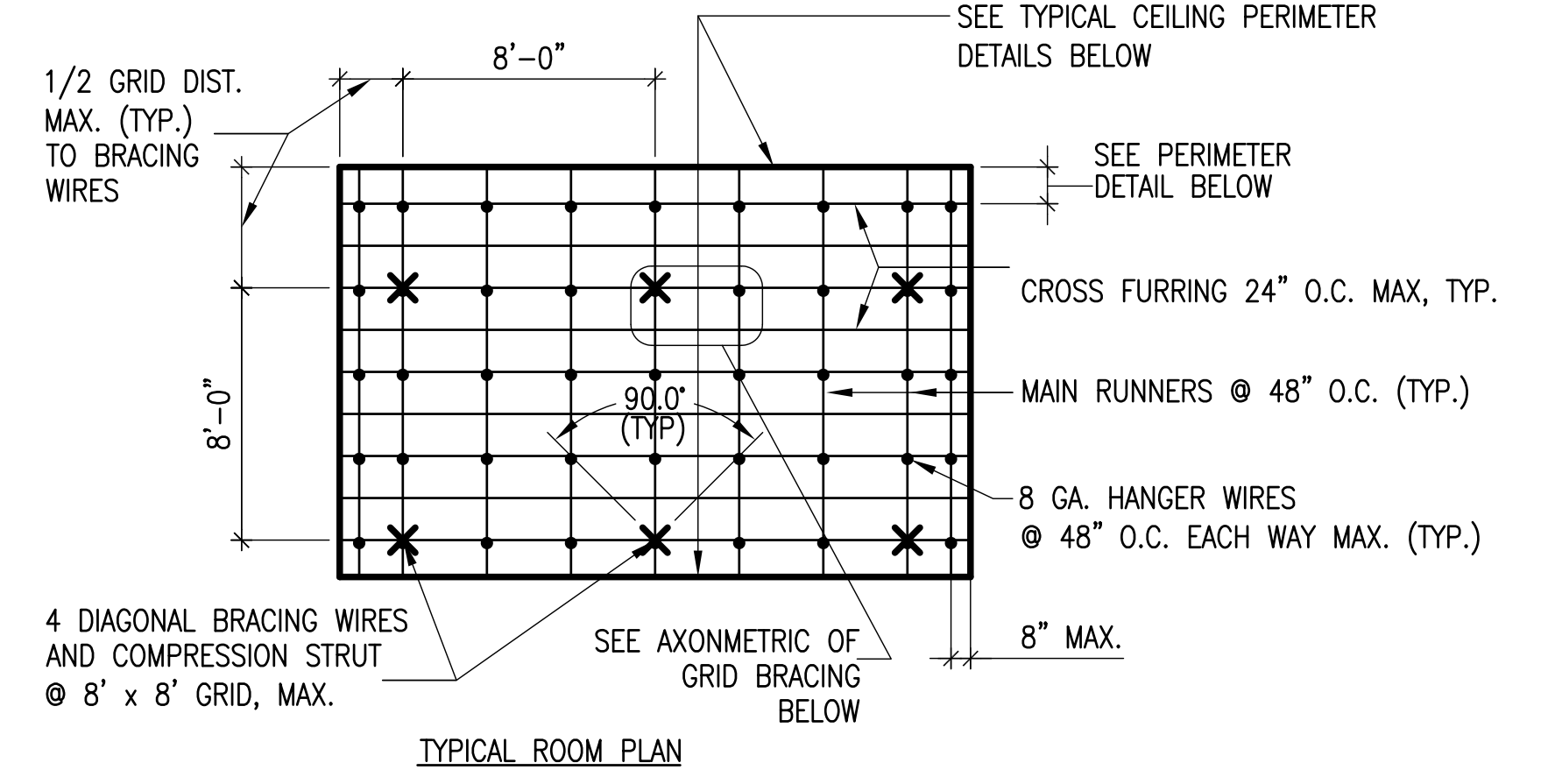


CONCRETE & CONCRETE FILLED METAL DECK

9 TYP. COMPRESSION STRUT ATTACHMENT TO STRUCTURE NO SCALE

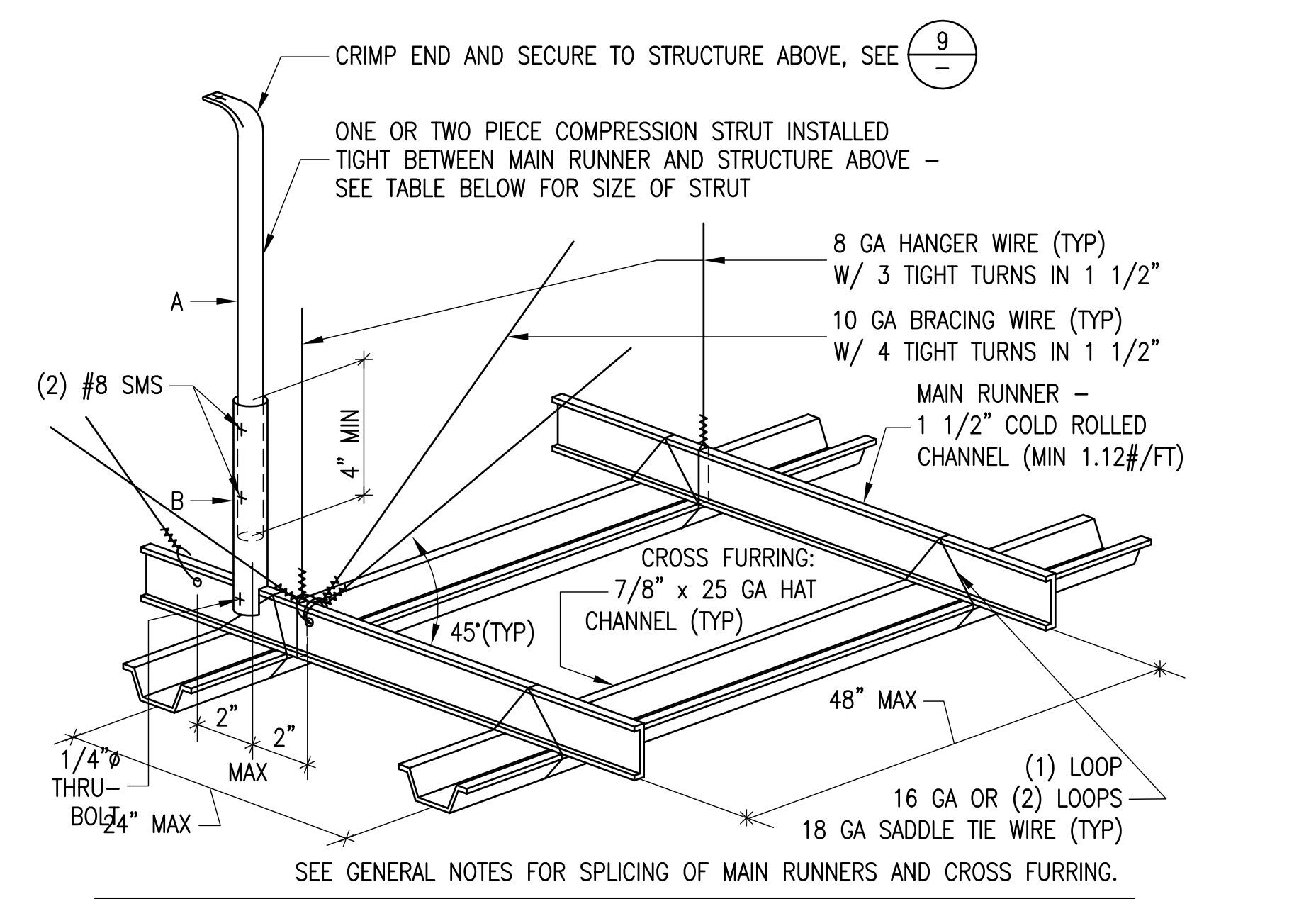
SUSPENDED GYPSUM BOARD CEILING GENERAL NOTES:

- SUSPEND CEILING FROM STRUCTURE ABOVE USING WIRES AND COMPRESSION STRUTS PLACED IN LOCATIONS SHOWN IN SUSPENSION WIRE LOCATION DIAGRAM BELOW. PROVIDE ADDITIONAL HANGER AND BRACING WIRES AND COMPRESSION STRUT AS REQUIRED OR DETAILED AT ALL CEILING BREAKS, SOFFITS OR DISCONTINUOUS AREAS. HANGER WIRES THAT ARE MORE THAN 1 IN 6 OUT OF PLUMB SHALL BE PROVIDED WITH COUNTERSLOPING WIRES. SEPARATE ALL HANGER AND BRACING WIRES FROM UNBRACED DUCTS, CONDUITS, PIPES, ETC., BY AT LEAST 6 INCHES.
- PROVIDE SUPPLEMENTAL FRAMING THAT IS SUPPORTED ON MAIN RUNNERS FOR ANY LIGHT FIXTURE OR DIFFUSER NOT SUPPORTED DIRECTLY ON THE MAIN RUNNER.
- SPLICE MAIN RUNNERS BY LAPPING AND INTERLOCKING FLANGES 12 INCHES MINIMUM AND TYING EACH END OF SPLICE WITH TWO LOOPS OF 16 GAUGE WIRE. SPLICE CROSS-FURRING BY LAPPING AND INTERLOCKING PIECES 8 INCHES MINIMUM AND TYING EACH END WITH TWO LOOPS OF 16 GAUGE WIRE.
- FOR HANGER AND BRACING WIRE ATTACHMENT TO STRUCTURE ABOVE SEE DETAIL 8/-.



TYPICAL ROOM PLAN

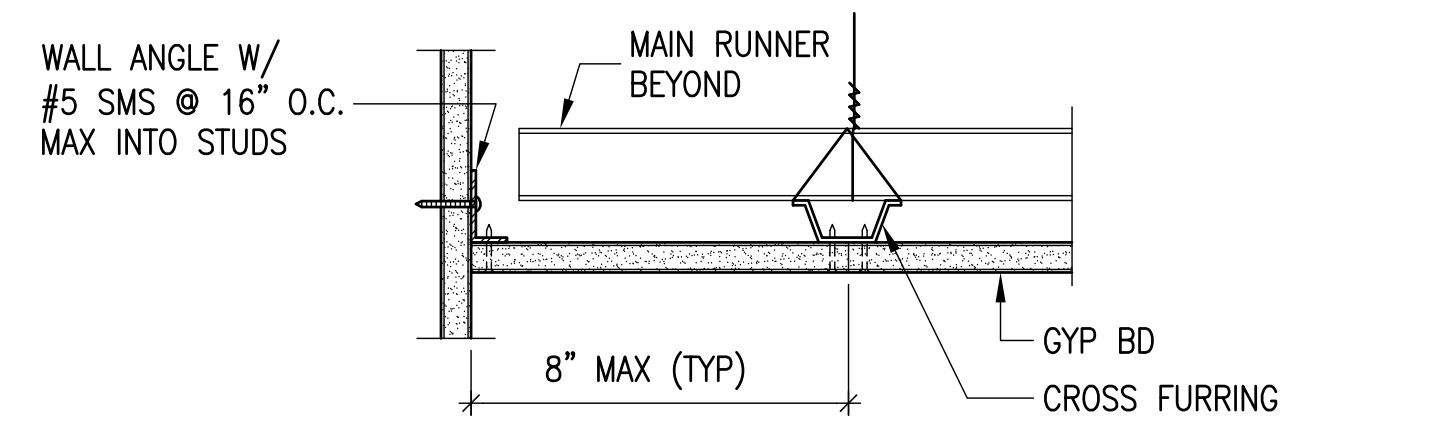
4 SUSPENSION WIRE LOCATION DIAGRAM GYPSUM BOARD CEILING NO SCALE



5 AXONOMETRIC OF GRID BRACING GYPSUM BOARD CEILING NO SCALE

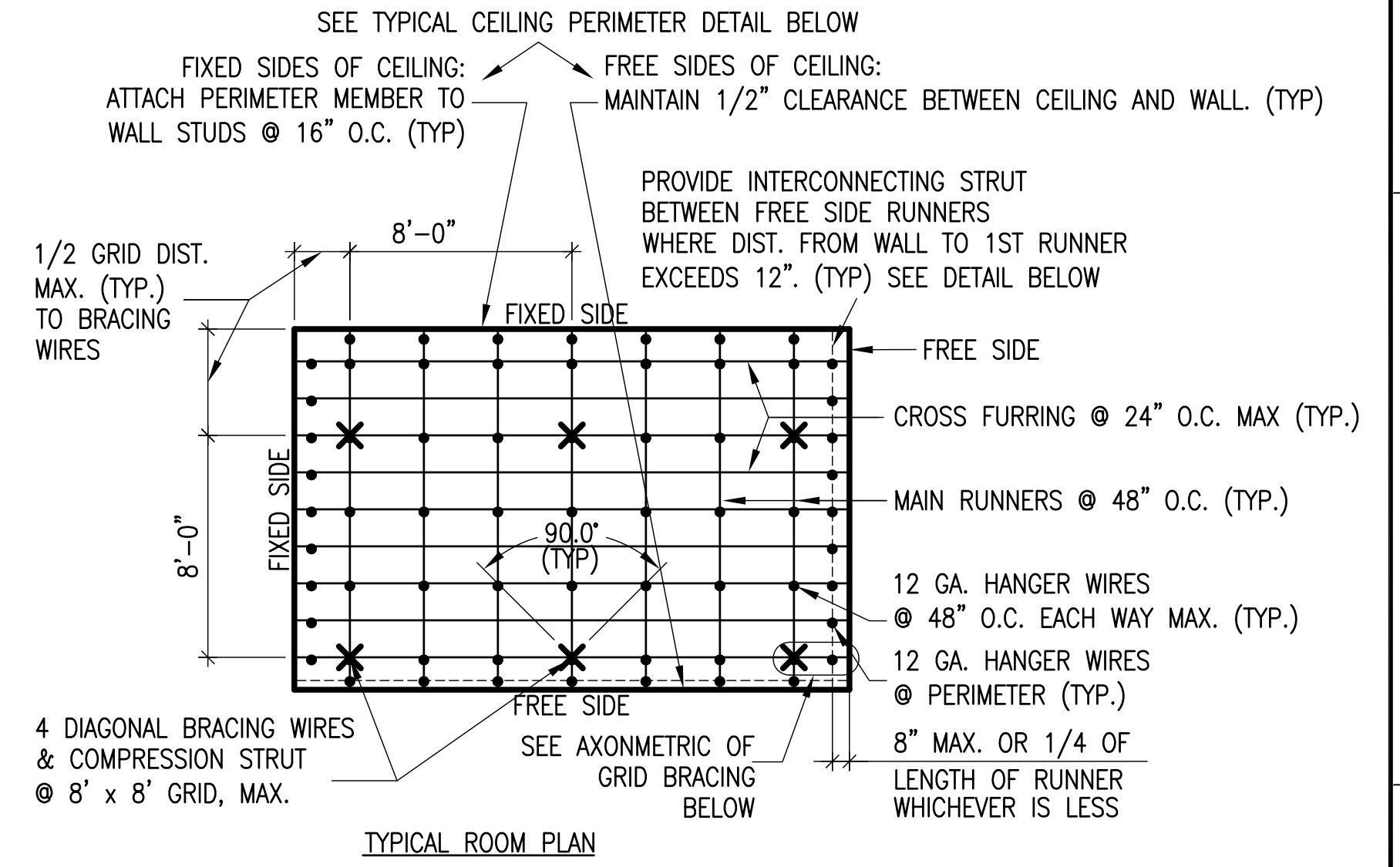
COMPRESSION STRUT SIZE	
MAXIMUM LENGTH	STRUT SIZE
UP TO 4'-0"	3/4" O.D. EMT X 0.107" WALL THICKNESS
UP TO 6'-0"	MEMBER (A) 1" O.D. EMT X 0.126" WALL THICKNESS MEMBER (B) 1 1/4" O.D. EMT X 0.133" WALL THICKNESS
UP TO 8'-0"	MEMBER (A) 1 1/4" O.D. EMT X 0.133" WALL THICKNESS MEMBER (B) 1 1/2" O.D. EMT X 0.138" WALL THICKNESS

6 TYPICAL CEILING PERIMETER DETAILS GYPSUM BOARD CEILING NO SCALE



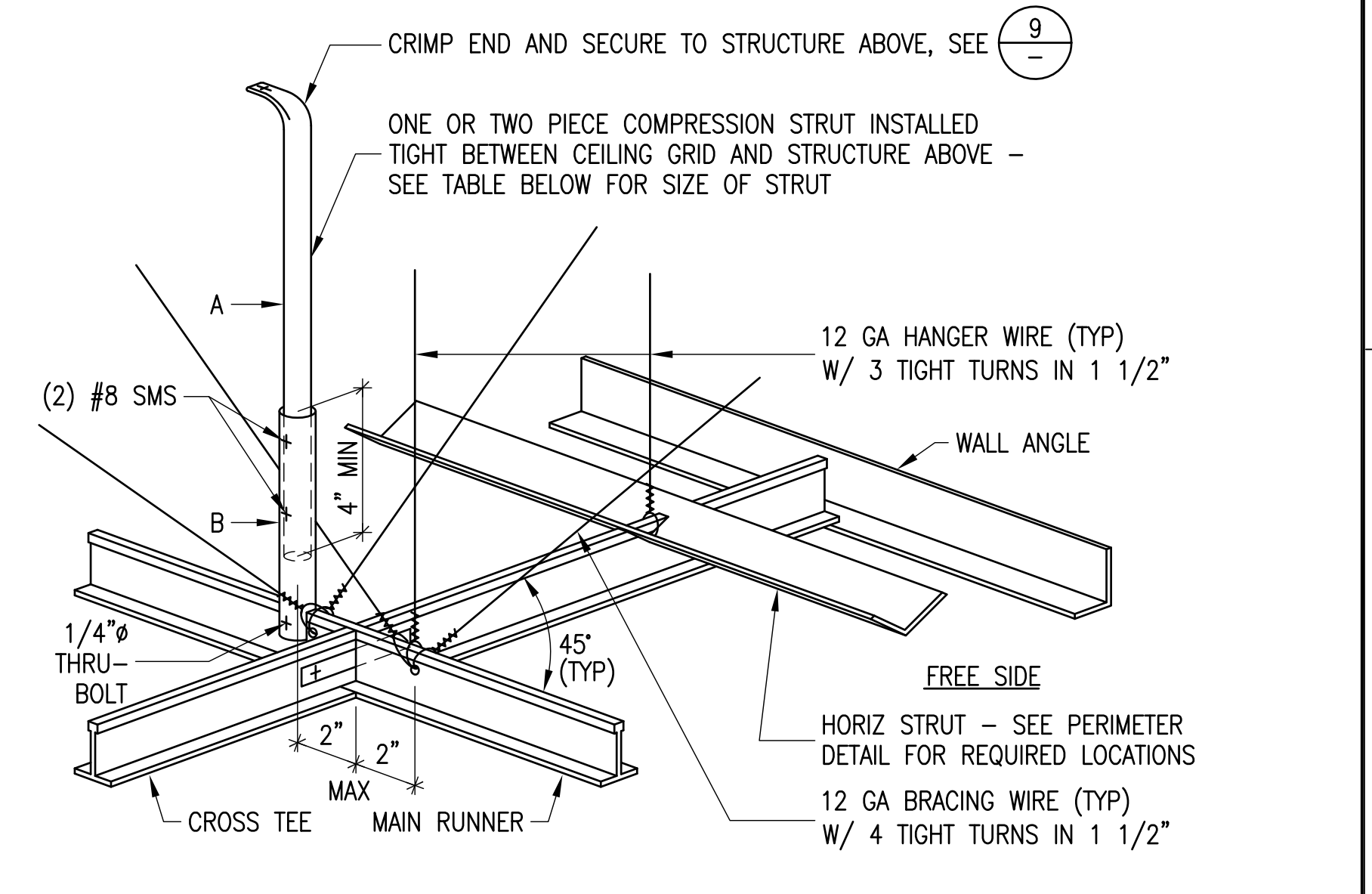
SUSPENDED ACOUSTICAL TILE CEILING GENERAL NOTES:

- CEILINGS SHALL BE INSTALLED WITH TWO SIDES FIXED TO WALL AND TWO SIDES FREE FROM WALL AS DETAILED BELOW.
- SUSPEND CEILING FROM STRUCTURE ABOVE USING WIRES AND COMPRESSION STRUTS PLACED IN LOCATIONS SHOWN IN SUSPENSION WIRE LOCATION DIAGRAM BELOW. PROVIDE ADDITIONAL HANGER AND BRACING WIRES AND COMPRESSION STRUT AS REQUIRED OR DETAILED AT ALL CEILING BREAKS, SOFFITS OR DISCONTINUOUS AREAS. HANGER WIRES THAT ARE MORE THAN 1 IN 6 OUT OF PLUMB SHALL BE PROVIDED WITH COUNTERSLOPING WIRES. SEPARATE ALL HANGER AND BRACING WIRES FROM UNBRACED DUCTS, CONDUITS, PIPES, ETC., BY AT LEAST 6 INCHES.
- PROVIDE SUPPLEMENTAL FRAMING THAT IS SUPPORTED ON MAIN RUNNERS FOR ANY LIGHT FIXTURE OR DIFFUSER NOT SUPPORTED DIRECTLY ON THE MAIN RUNNER.
- FOR HANGER AND BRACING WIRE ATTACHMENT TO STRUCTURE ABOVE SEE DETAIL 8/-.



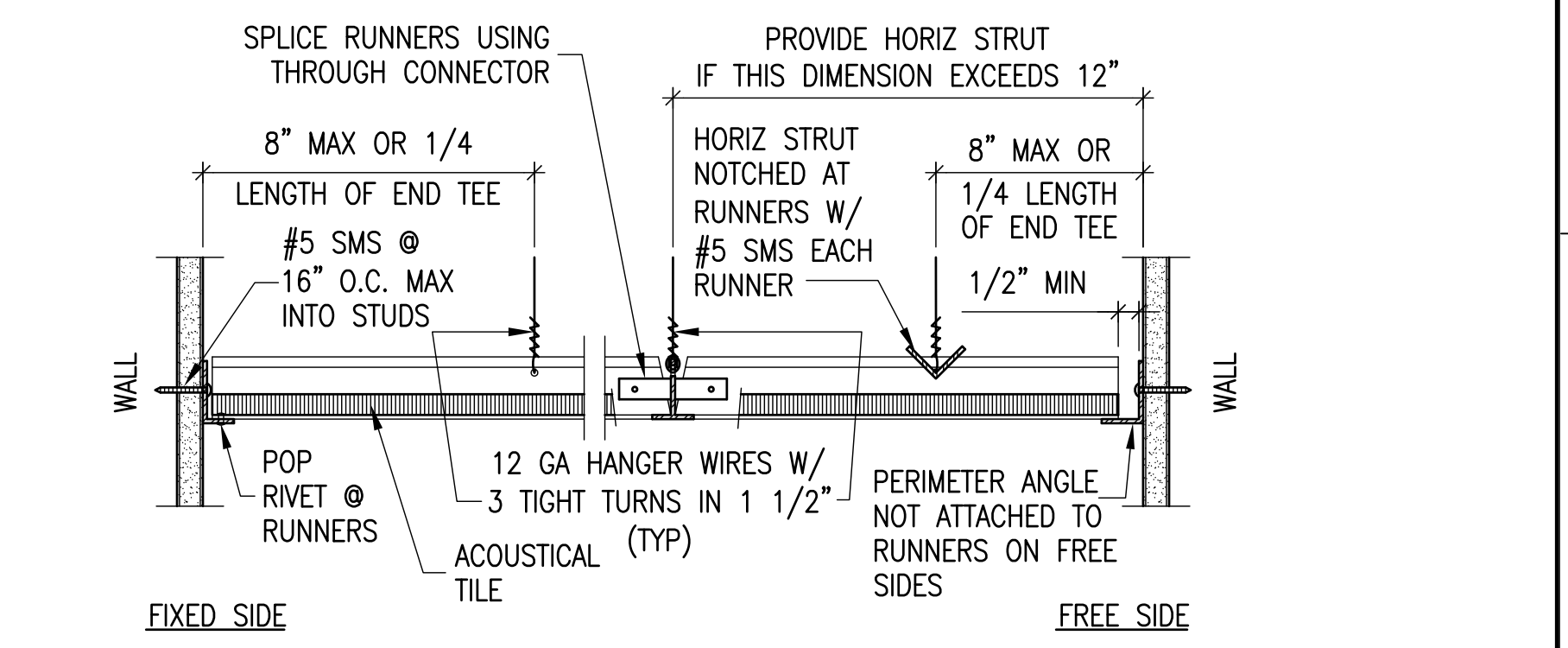
TYPICAL ROOM PLAN

1 SUSPENSION WIRE LOCATION DIAGRAM ACOUSTICAL TILE CEILING NO SCALE



COMPRESSION STRUT SIZE	
MAXIMUM LENGTH	STRUT SIZE
UP TO 4'-0"	3/4" O.D. EMT X 0.107" WALL THICKNESS
UP TO 6'-0"	MEMBER (A) 1" O.D. EMT X 0.126" WALL THICKNESS MEMBER (B) 1 1/4" O.D. EMT X 0.133" WALL THICKNESS
UP TO 8'-0"	MEMBER (A) 1 1/4" O.D. EMT X 0.133" WALL THICKNESS MEMBER (B) 1 1/2" O.D. EMT X 0.138" WALL THICKNESS

2 AXONOMETRIC OF GRID BRACING ACOUSTICAL TILE CEILING NO SCALE

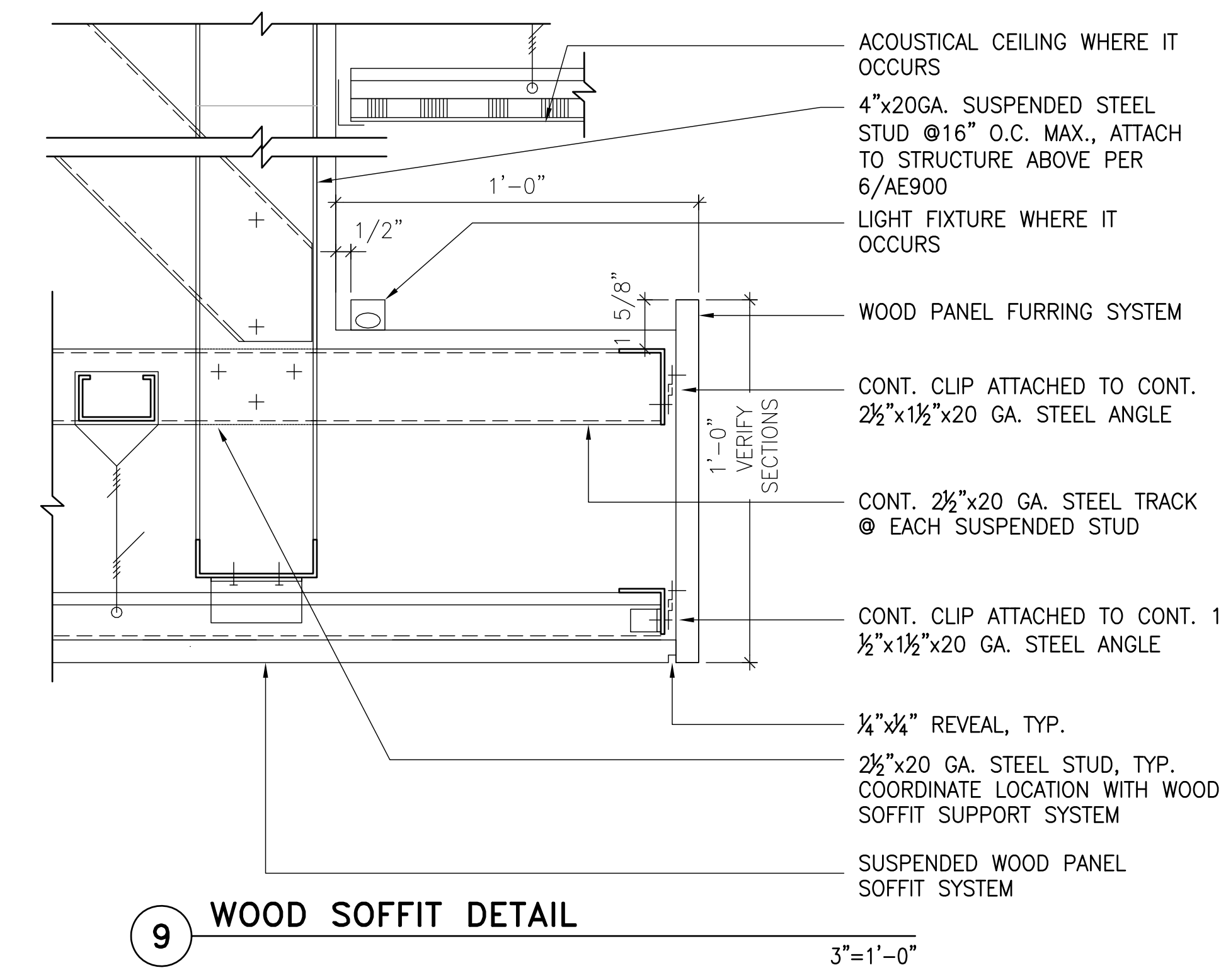


3 TYPICAL CEILING PERIMETER DETAILS ACOUSTICAL TILE CEILING NO SCALE

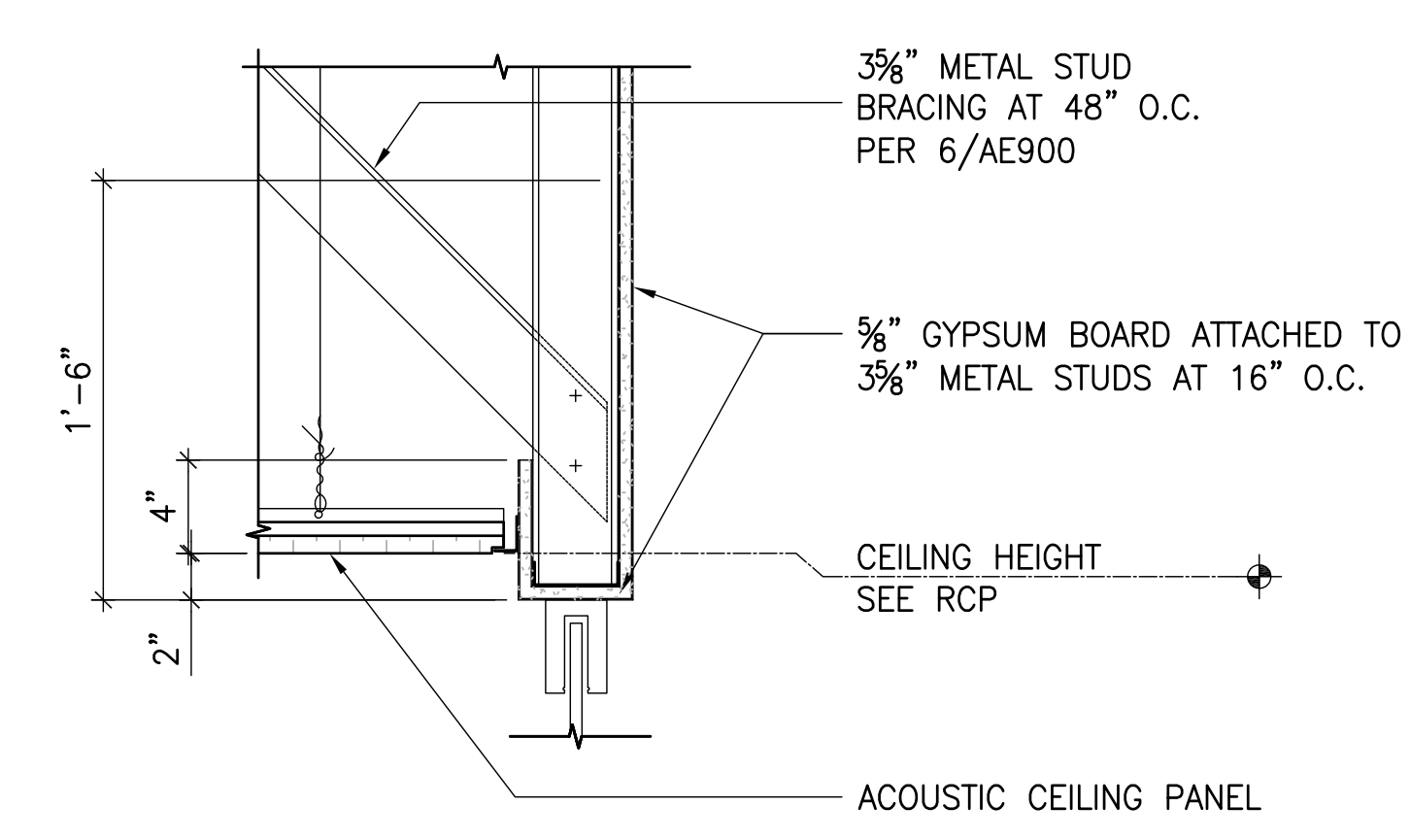
FULLY SPRINKLERED

CONSULTANTS: Syka Hennessy Group, Inc. 425 California Street Suite 700 San Francisco, CA 94104 Tel: 415.288.9060 Fax: 415.835.0385 www.syka.com		ARCHITECT/ENGINEERS: ENGINEERS ARCHITECTS ONE KAISER PLAZA SUITE 445 OAKLAND CALIFORNIA 94612 TEL 510.271.6701 FAX 510.271.6707 ©THE KPA GROUP 2014 KPA Project No. 582.00		Drawing Title DETAILS SUSPENDED CEILING ASSEMBLIES Approved Project Director - VAPAHCS PLANNING AND ENGINEERING		Project Title ESTABLISH SUNNYVALE R AND D CAMPUS Location 1080 INNOVATION WAY, SUNNYVALE, CA 94085 Date 11/25/2014		Project Number 640-397 Building Number 1002 Drawing Number AE902 Dwg of		Office of Construction and Facilities Management VAPAHCS Veterans Affairs - Palo Alto Health Care System	
---	--	---	--	---	--	--	--	--	--	---	--

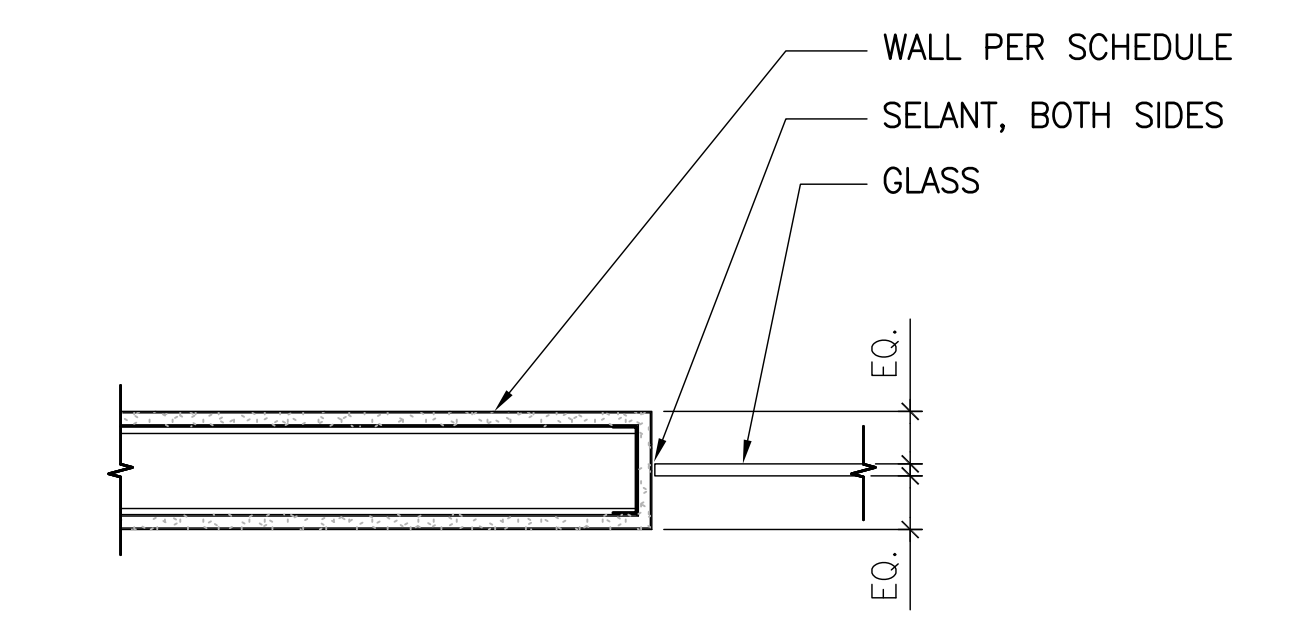
three inches = one foot
 one and one half inches = one foot
 one inch = one foot
 one inch = one foot
 three quarters inch = one foot
 one half inch = one foot
 three quarters inch = one foot
 one half inch = one foot
 three eighths inch = one foot
 one eighth inch = one foot
 one eighth inch = one foot



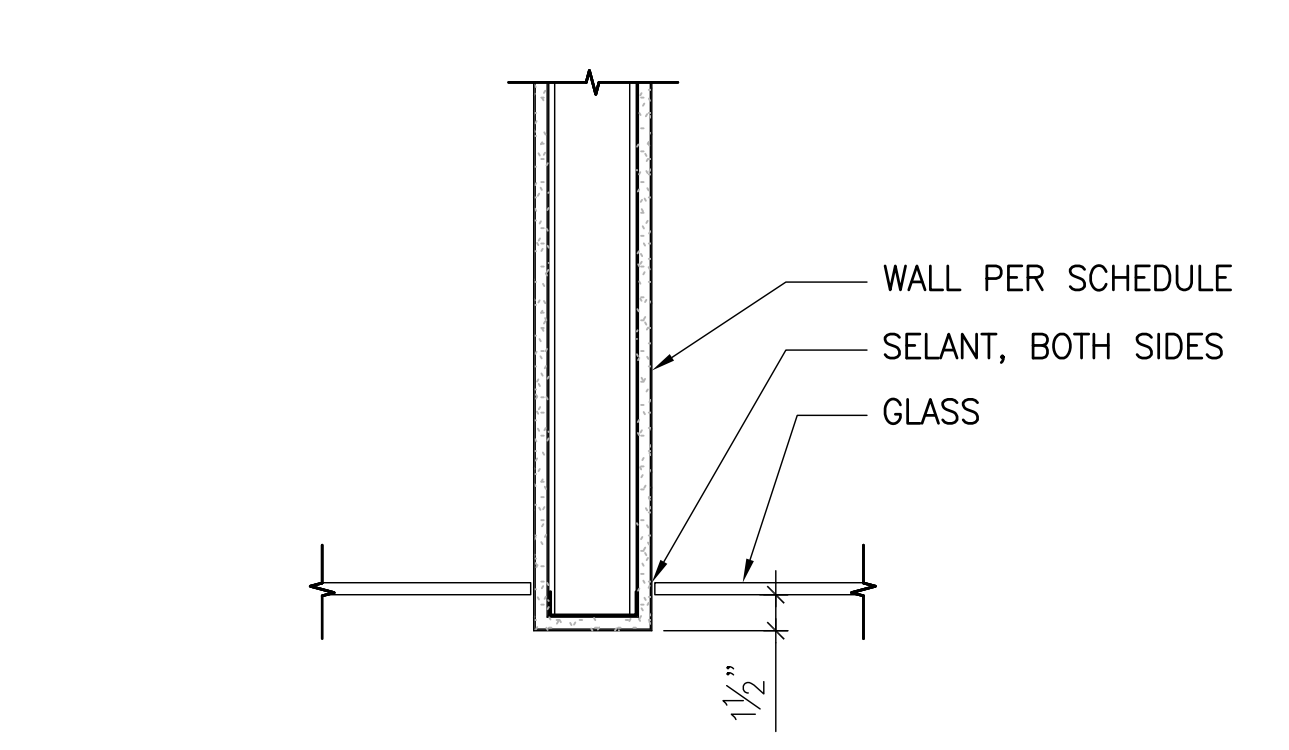
9 WOOD SOFFIT DETAIL
 3"=1'-0"



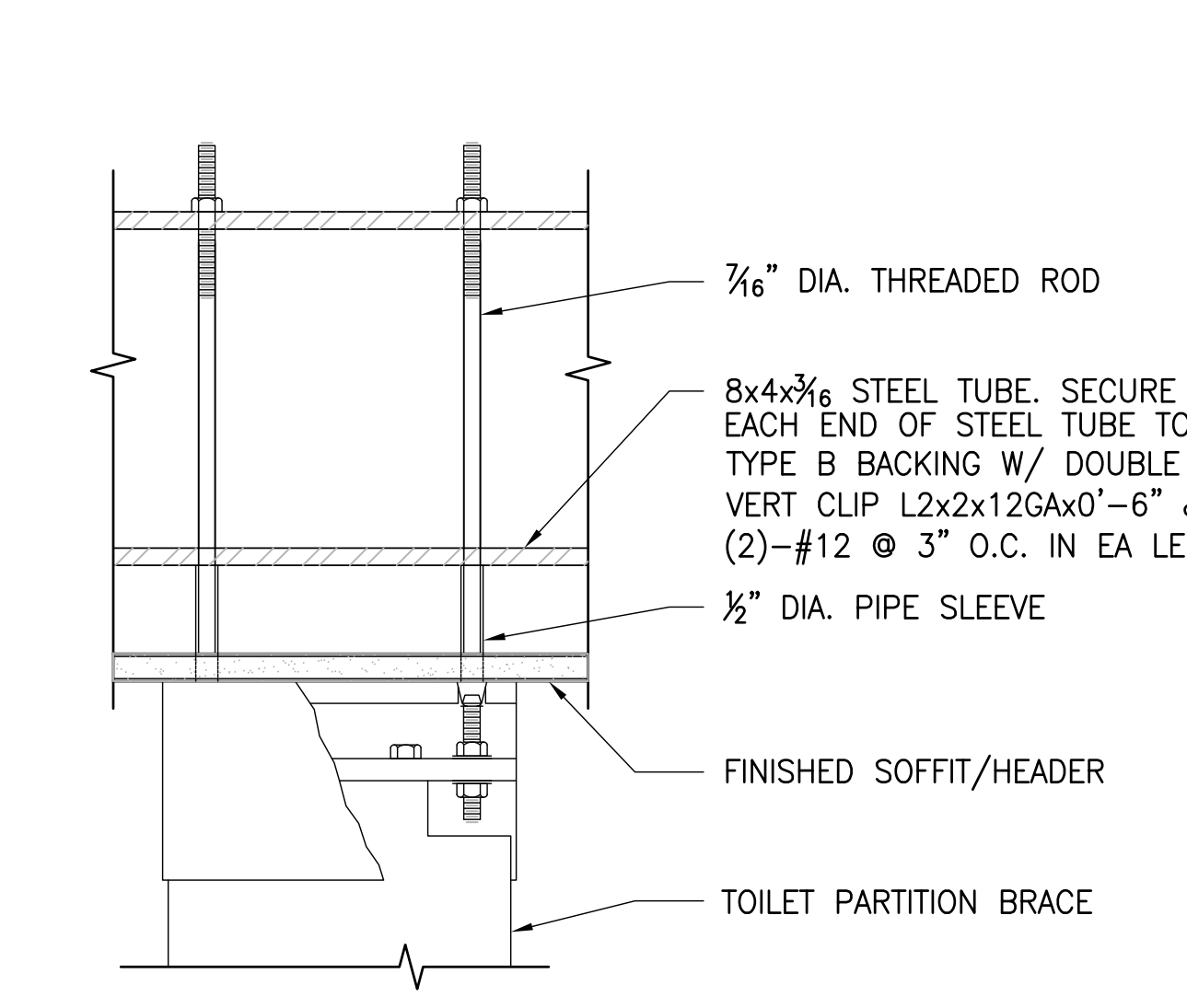
10 HEAD DETAIL
 1 1/2"=1'-0"



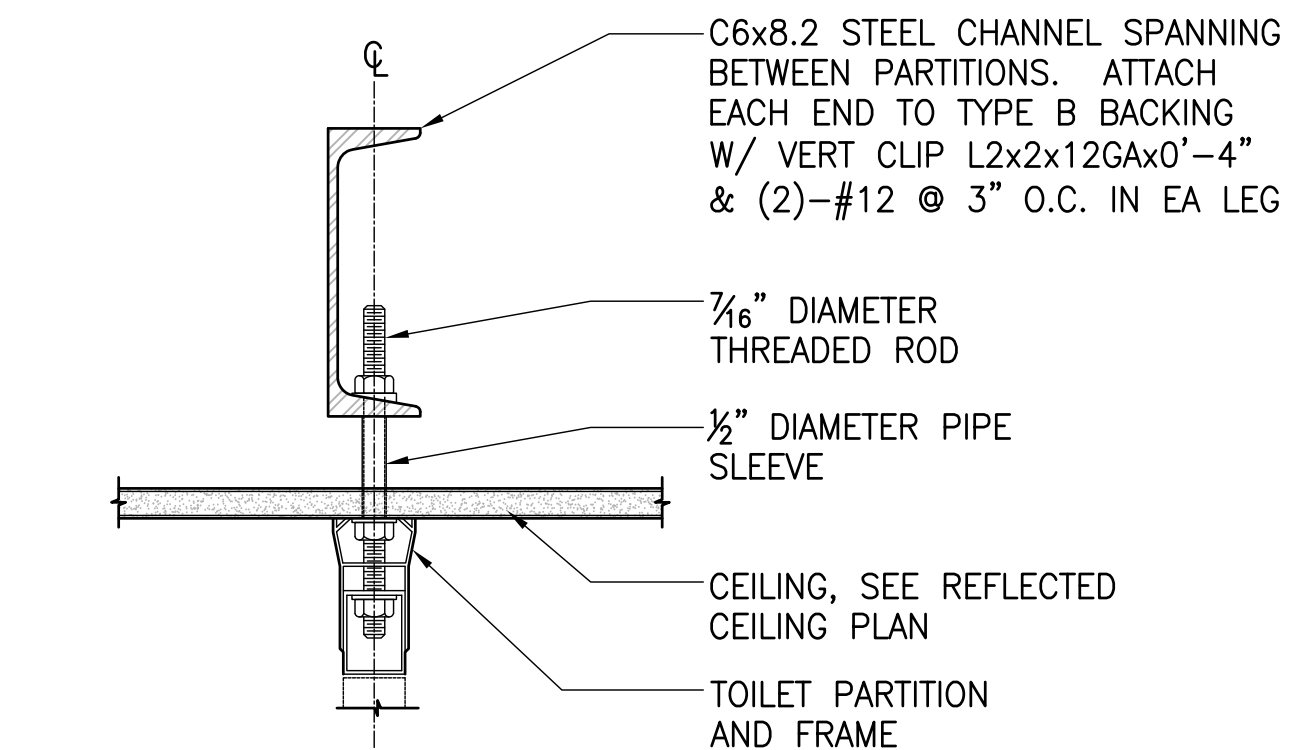
11 JAMB DETAIL
 1 1/2"=1'-0"



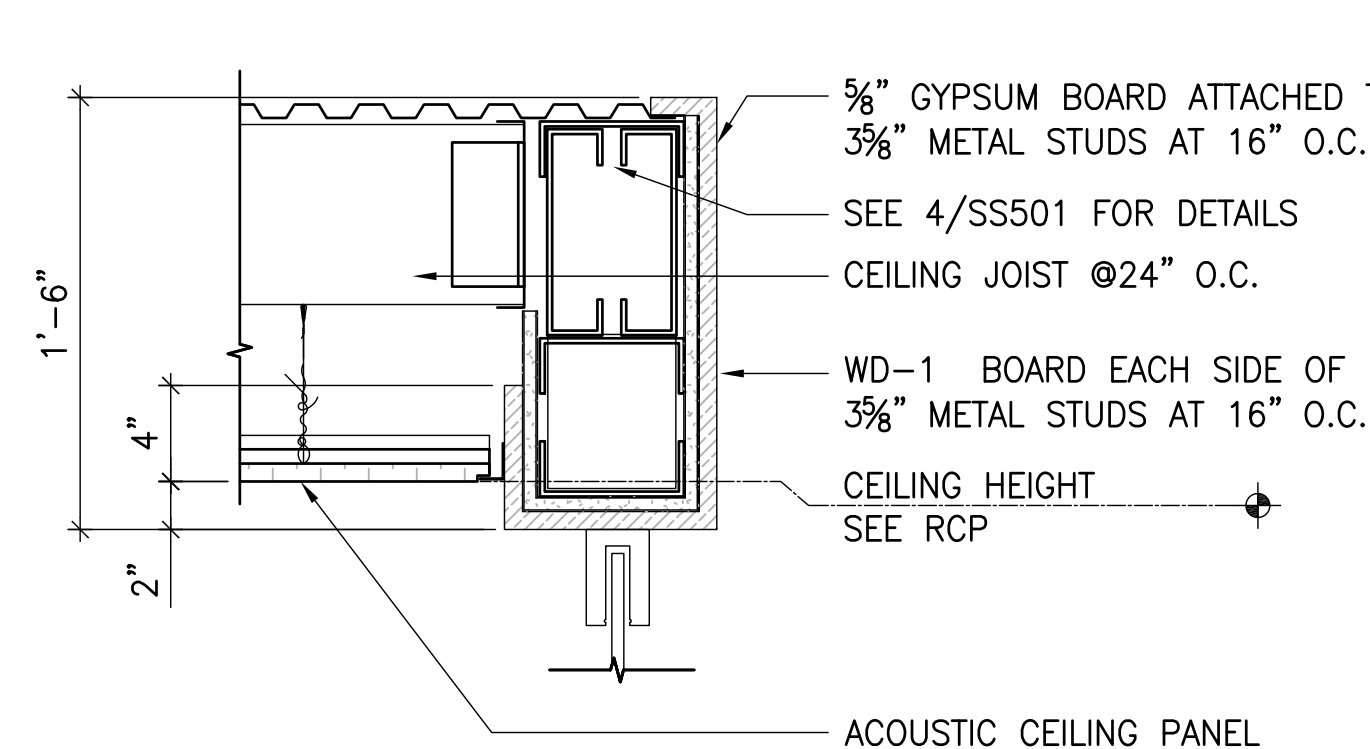
12 JAMB DETAIL
 1 1/2"=1'-0"



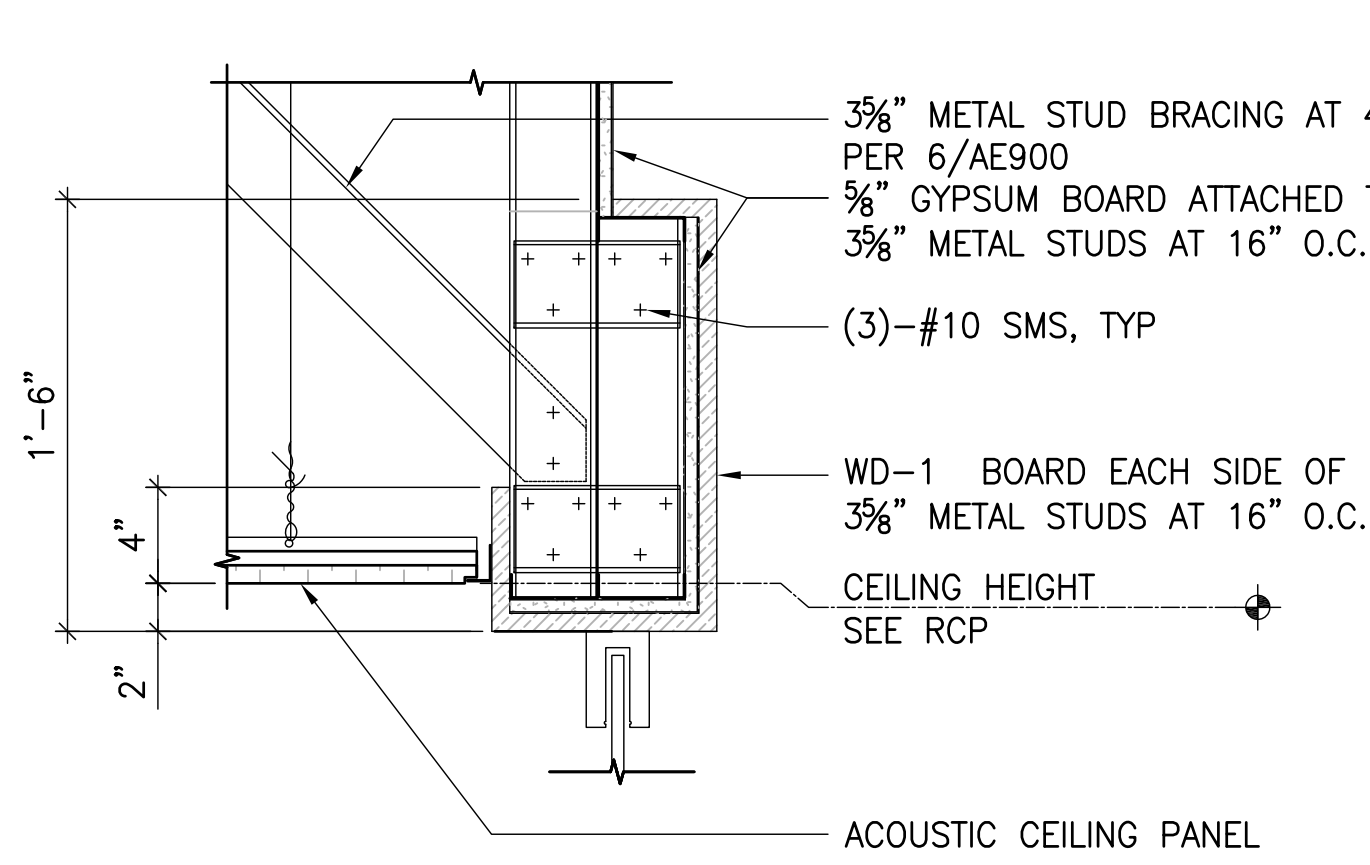
5 HANGING TOILET PARTITION CONNECTION
 3"=1'-0"



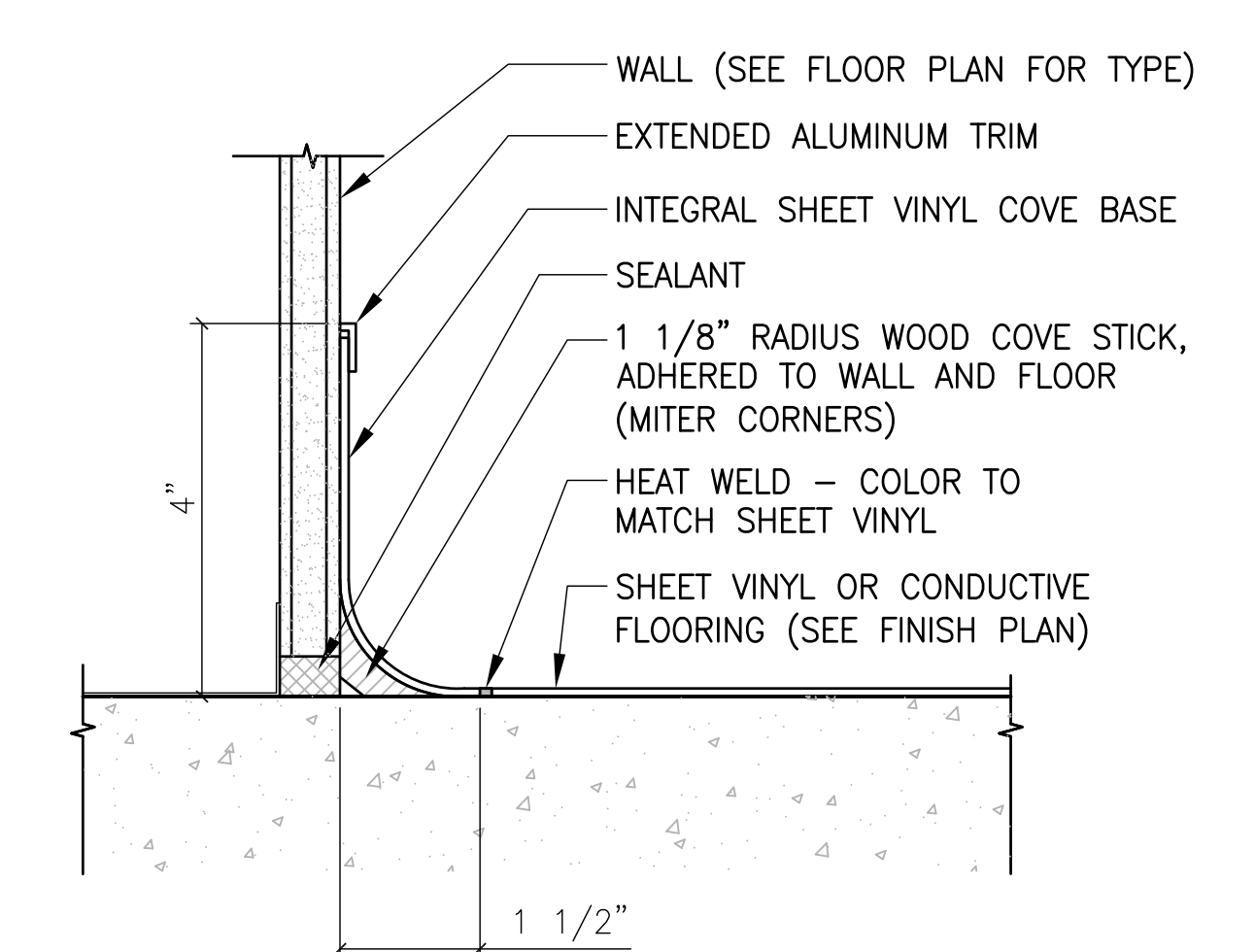
6 TOILET PARTITION SUPPORT
 3"=1'-0"



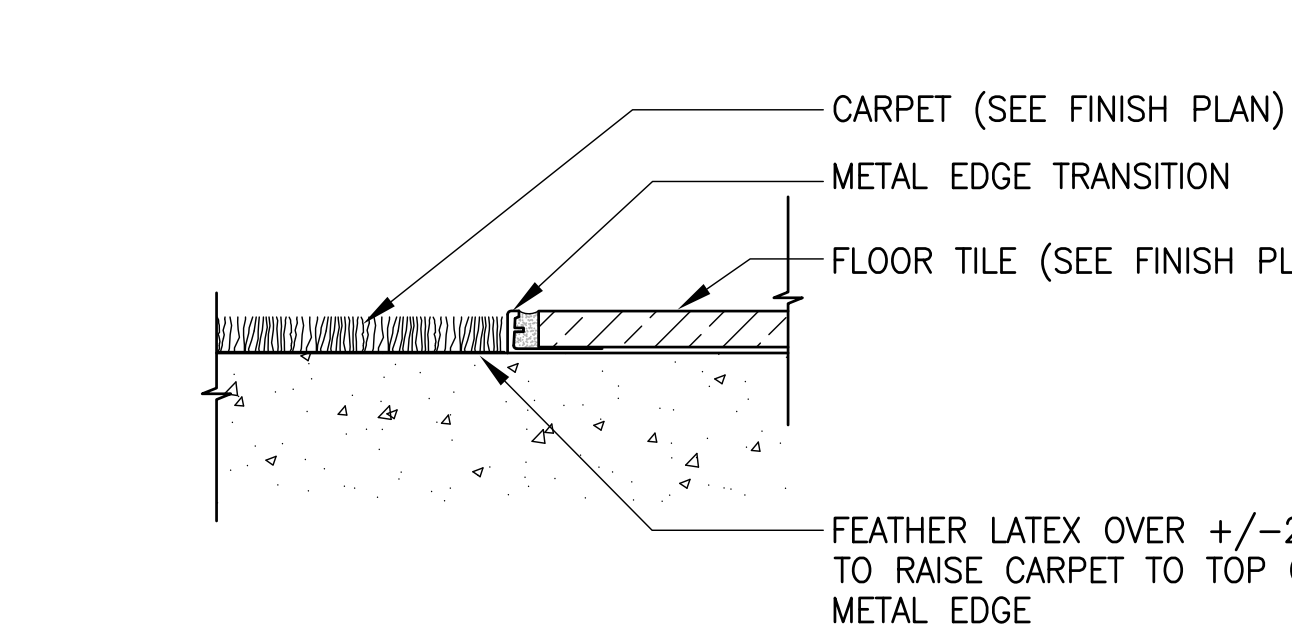
7 DETAIL - SECOND FLOOR
 1 1/2"=1'-0"



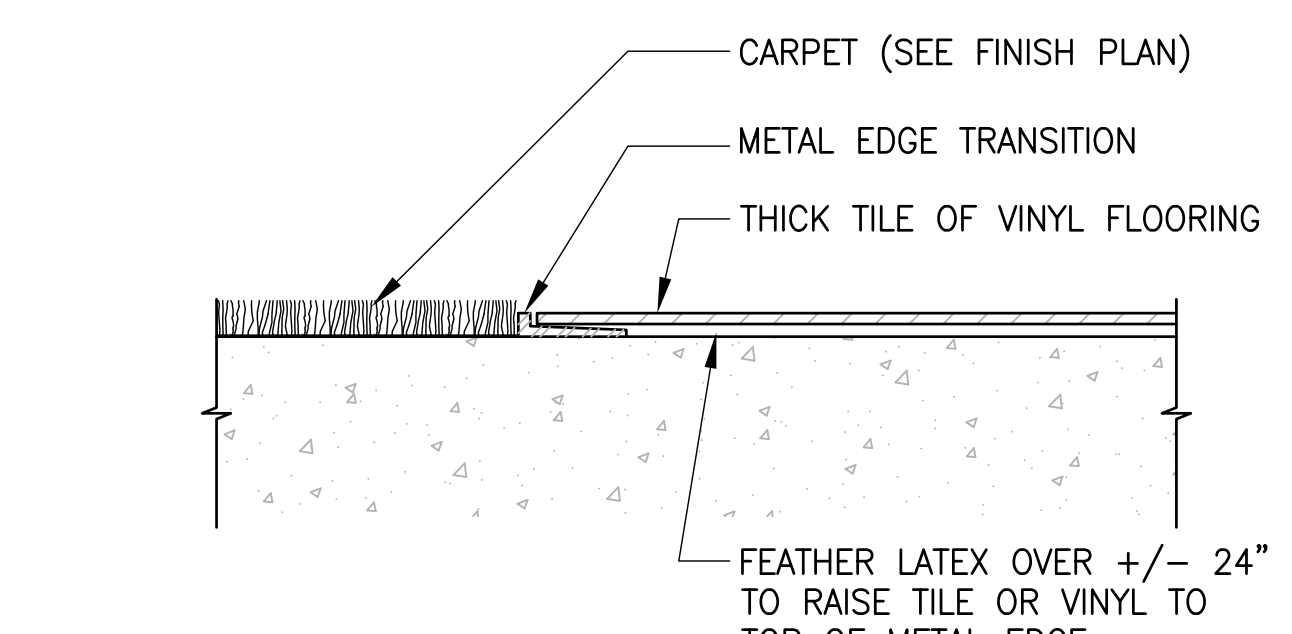
8 DETAIL - FIRST FLOOR
 1 1/2"=1'-0"



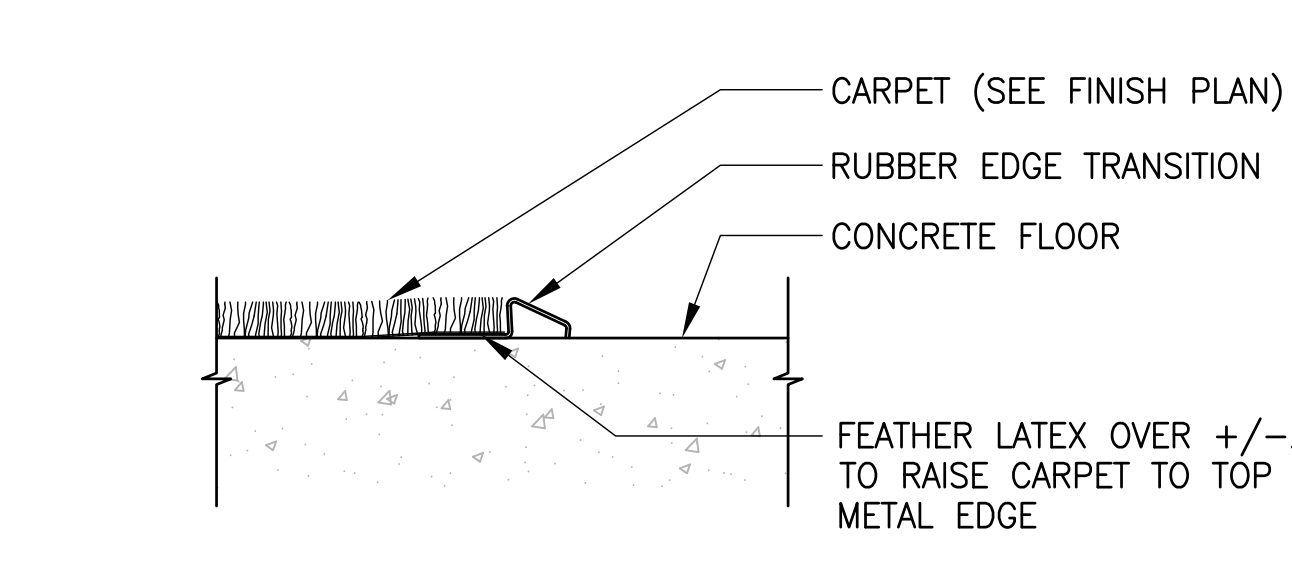
1 SHEET VINYL INTEGRAL BASE
 3"=1'-0"



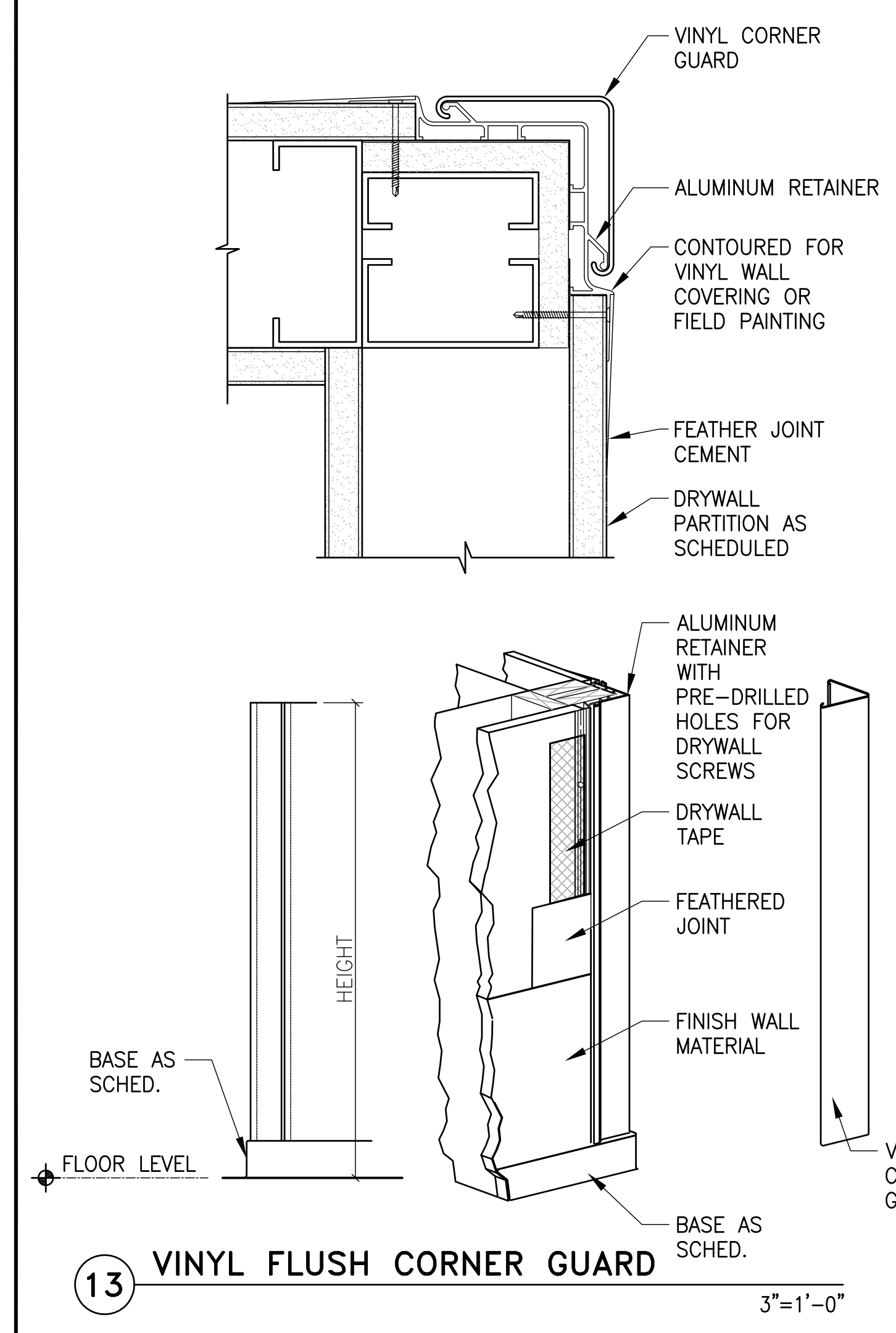
2 TRANSITION - CARPET TO TILE
 3"=1'-0"



3 TRANSITION - CARPET TO VINYL FLOORING
 3



4 TRANSITION - CARPET TO CONCRETE
 4



13 VINYL FLUSH CORNER GUARD
 3"=1'-0"

Revisions:	Date:

CONSULTANTS:

Syska Hennessy Group, Inc.
 425 California Street
 Suite 700
 San Francisco, CA 94104
 Tel: 415.288.9060
 Fax: 415.835.0385
 www.syska.com

SJ ENGINEERS
 300 Frank H. Ogawa Plaza
 Suite 308
 Oakland, CA 94612
 Tel: (510) 832-1505
 Fax: (510) 832-1507
 Job No: 213-0801

Stamp and Signature

PAUL W. POWERS
 C-29713
 LICENSED ARCHITECT
 STATE OF CALIFORNIA

ARCHITECT/ENGINEERS:

KPA ENGINEERS ARCHITECTS
 ONE KAISER PLAZA SUITE 445
 OAKLAND CALIFORNIA 94612
 TEL 510.271.6701 FAX 510.271.6707
 THE KPA GROUP
 ©THE KPA GROUP 2014
 KPA Project No. 582.00

Drawing Title
MISCELLANEOUS DETAILS

Approved Project Director
 VAPAHCs PLANNING AND ENGINEERING

Project Title
ESTABLISH SUNNYVALE R AND D CAMPUS

Location
 1080 INNOVATION WAY, SUNNYVALE, CA 94085

Date
 11/25/2014

Checked
 PWP

Drawn
 KPA TEAM

Project Number
 640-397

Building Number
 1002

Drawing Number
AE903

Dwg of

FULLY SPRINKLERED

Office of Construction and Facilities Management

VAPAHCs
 Veterans Affairs - Palo Alto Health Care System