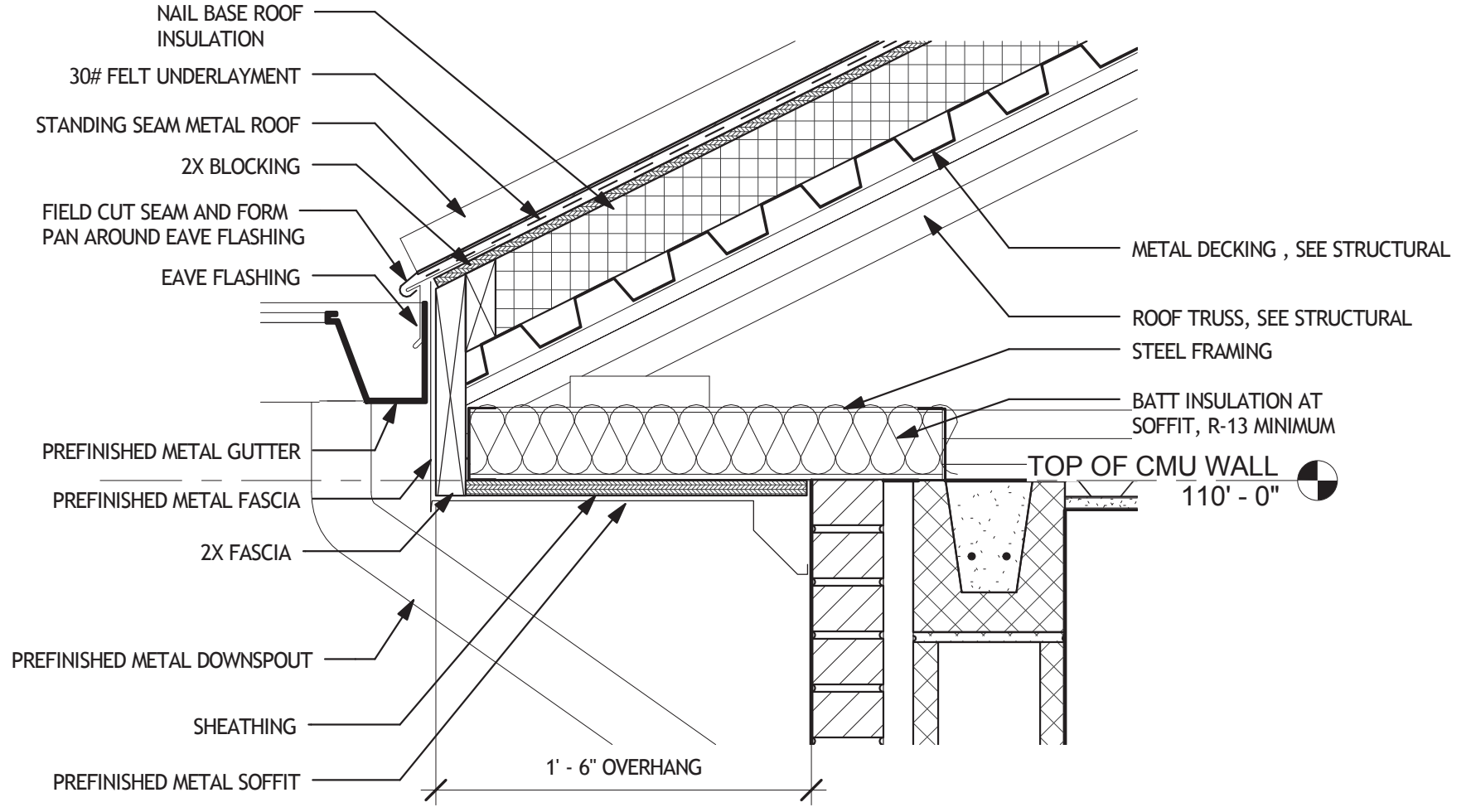
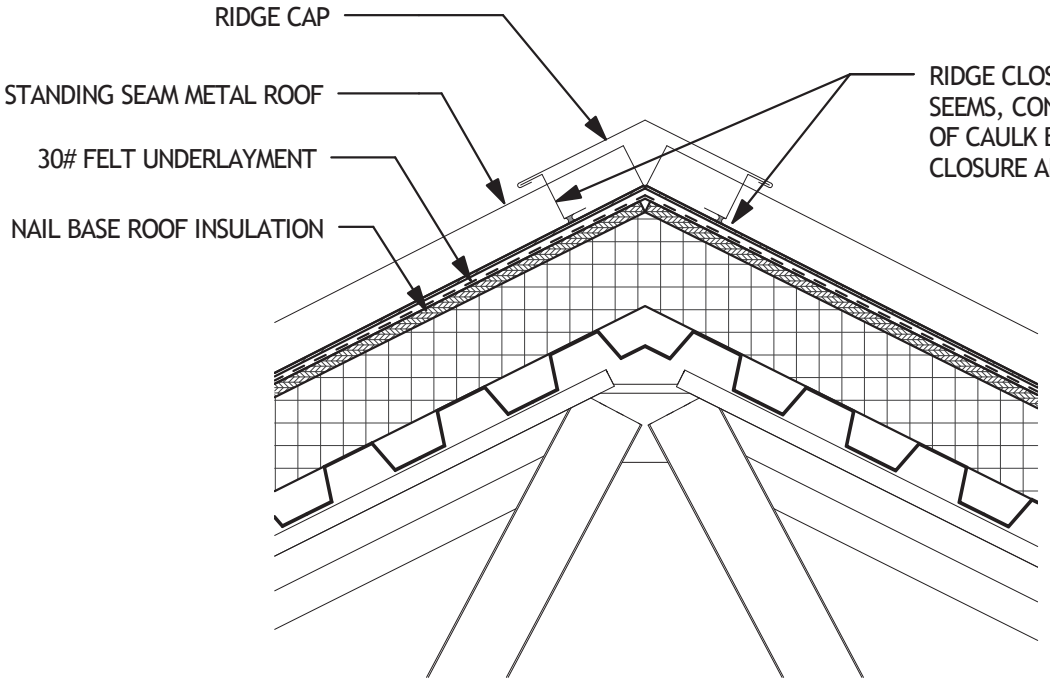


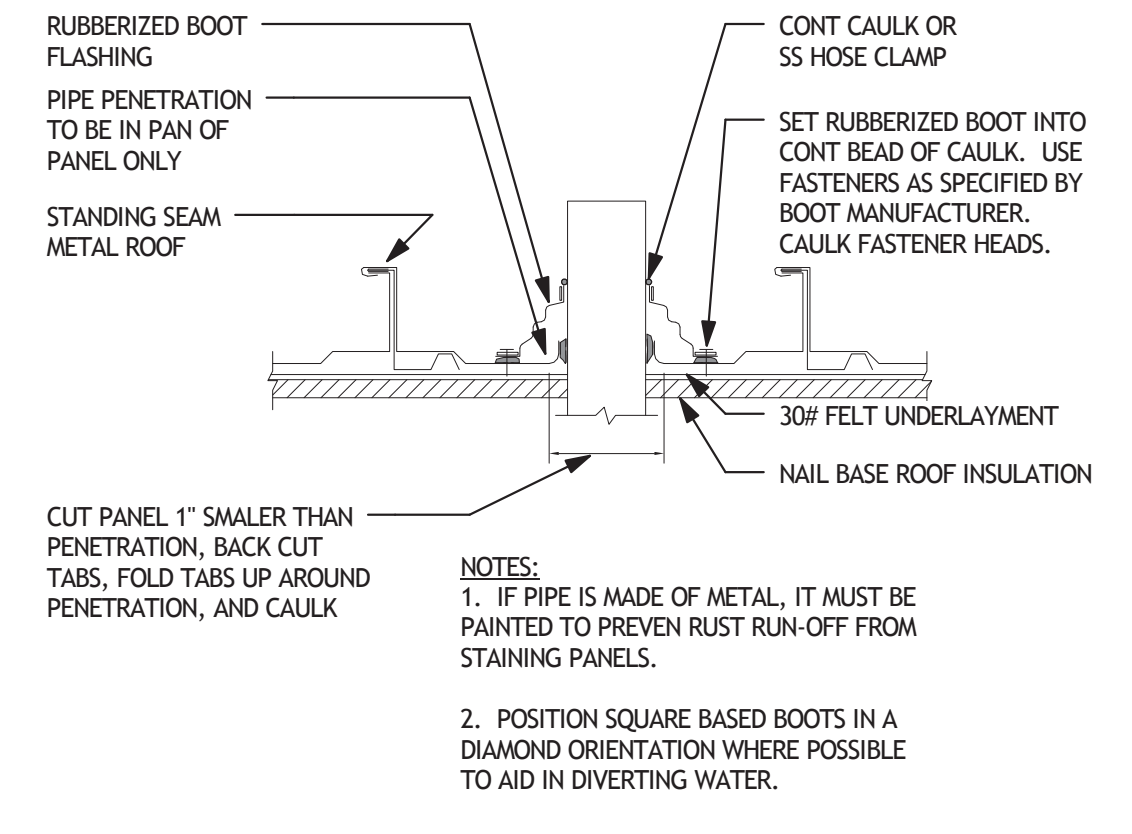
**7 ROOF GABLE DETAIL**  
A301 SCALE: 1 1/2" = 1'-0"



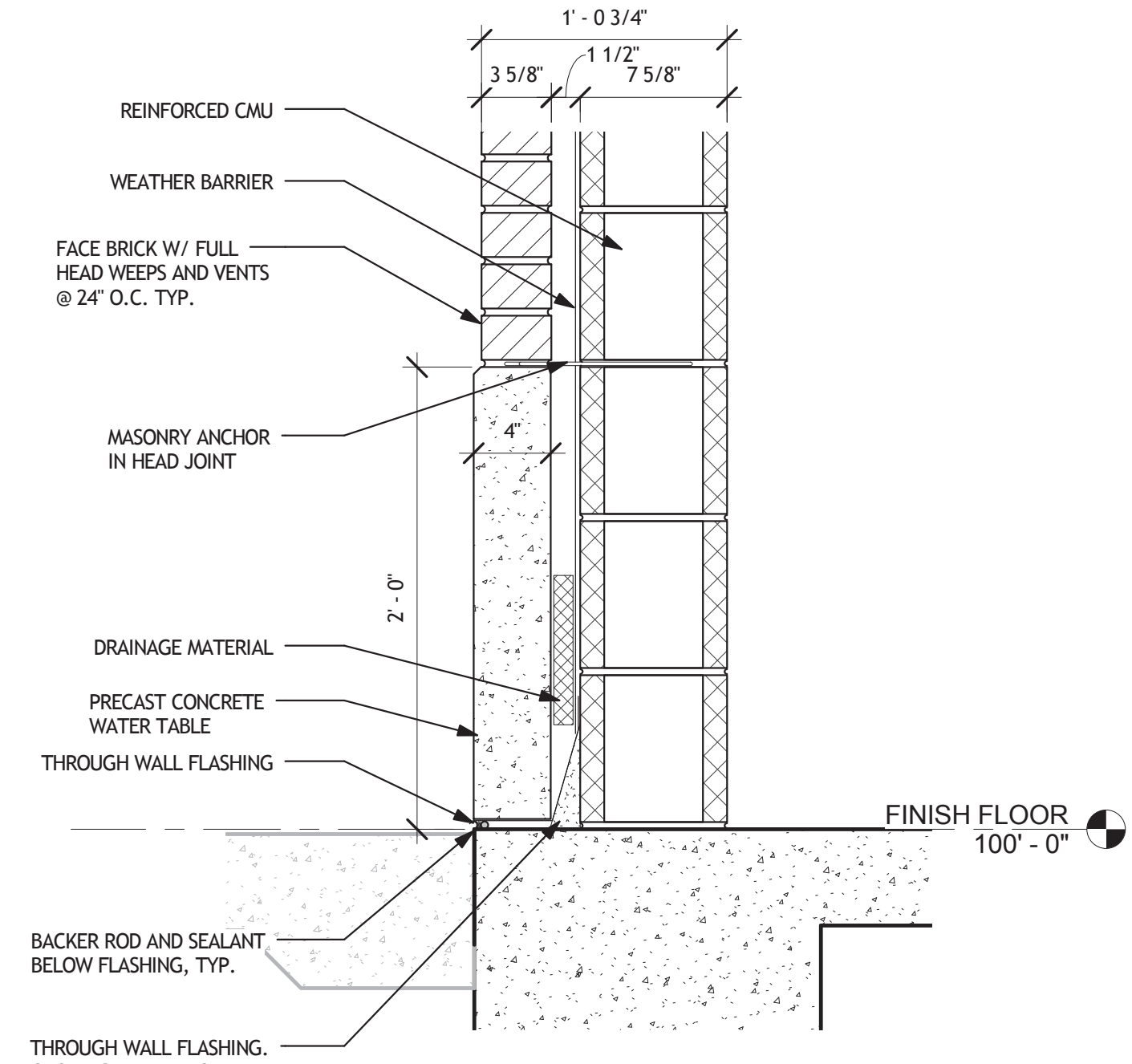
**8 ROOF EAVE DETAIL**  
A301 SCALE: 1 1/2" = 1'-0"



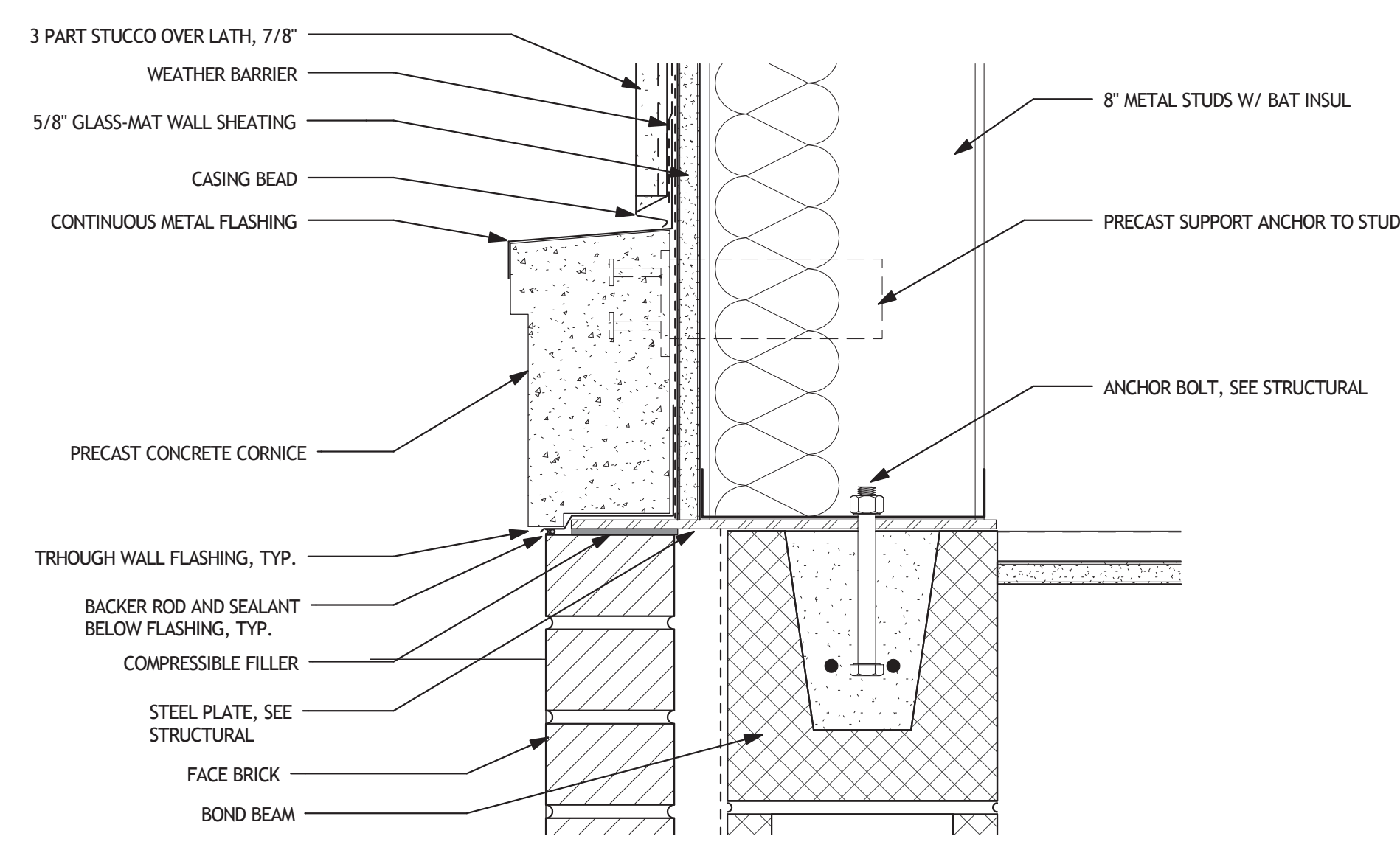
**9 ROOF RIDGE DETAIL**  
A301 SCALE: 1 1/2" = 1'-0"



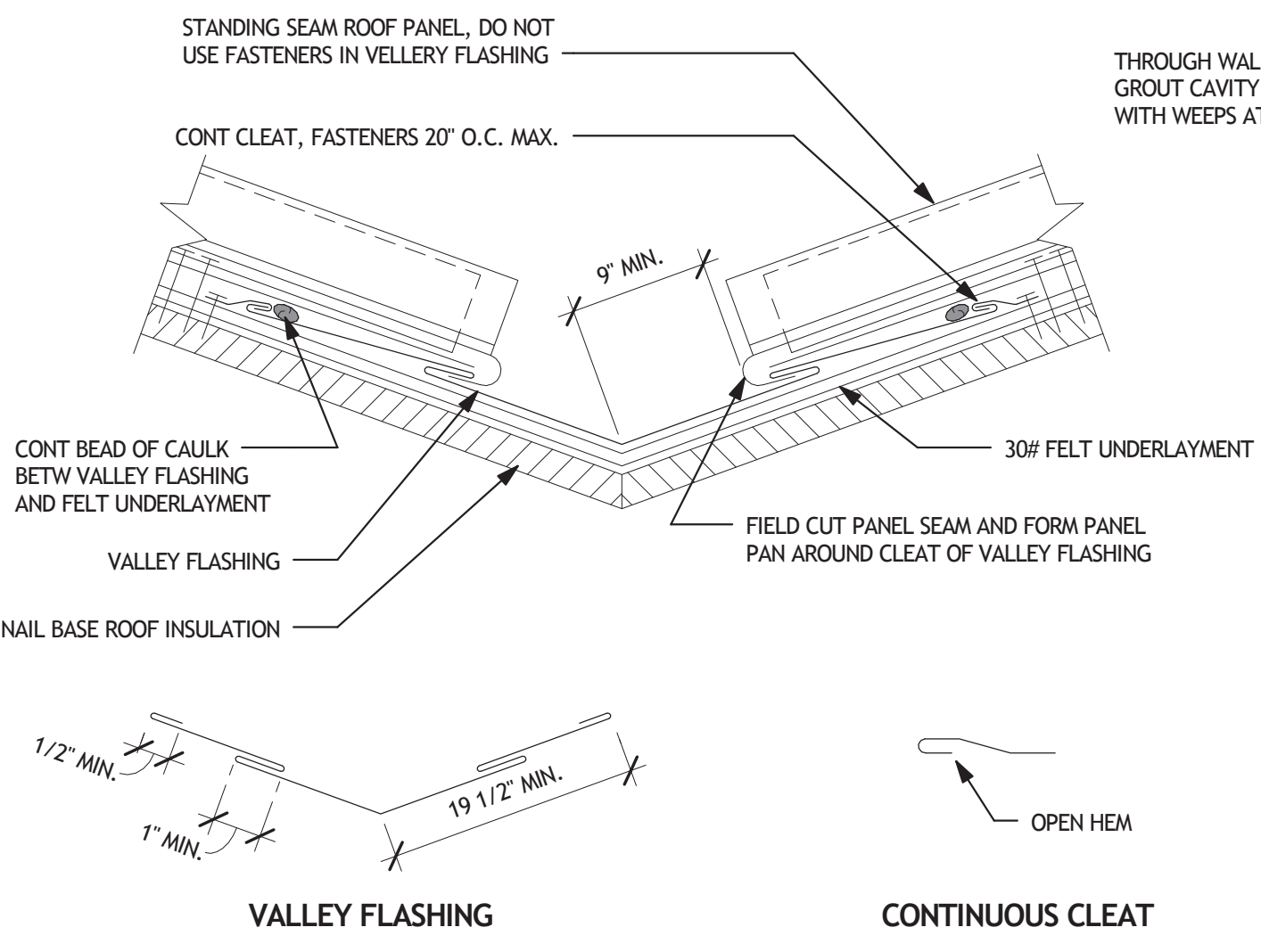
**6 ROOF PENETRATION DETAIL**  
A301 SCALE: 3" = 1'-0"



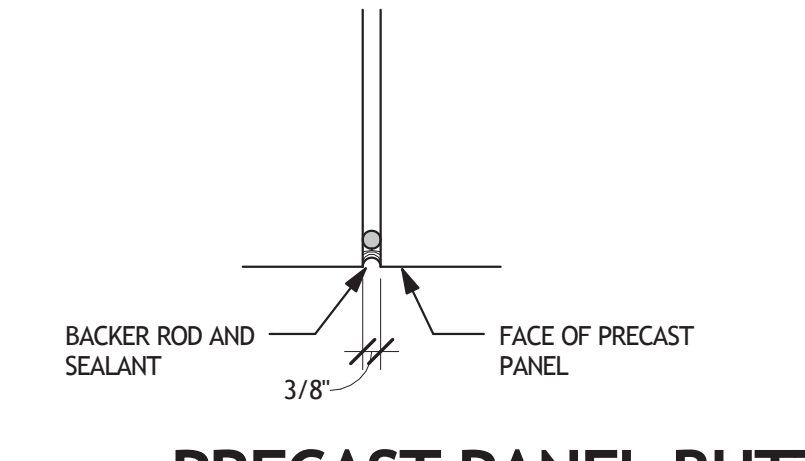
**2 BASE DETAIL**  
A301 SCALE: 1 1/2" = 1'-0"



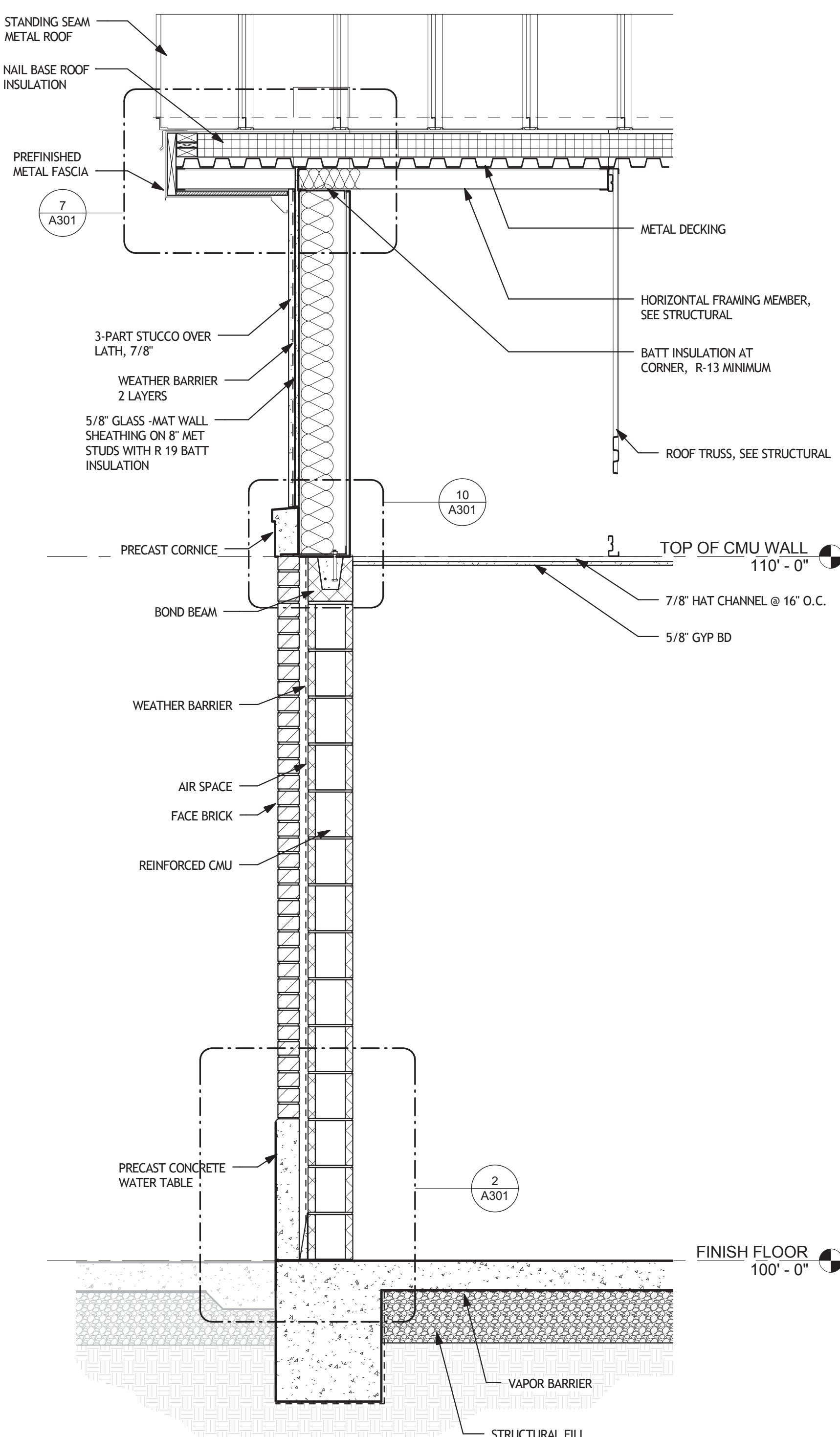
**10 CORNICE DETAIL**  
A301 SCALE: 3" = 1'-0"



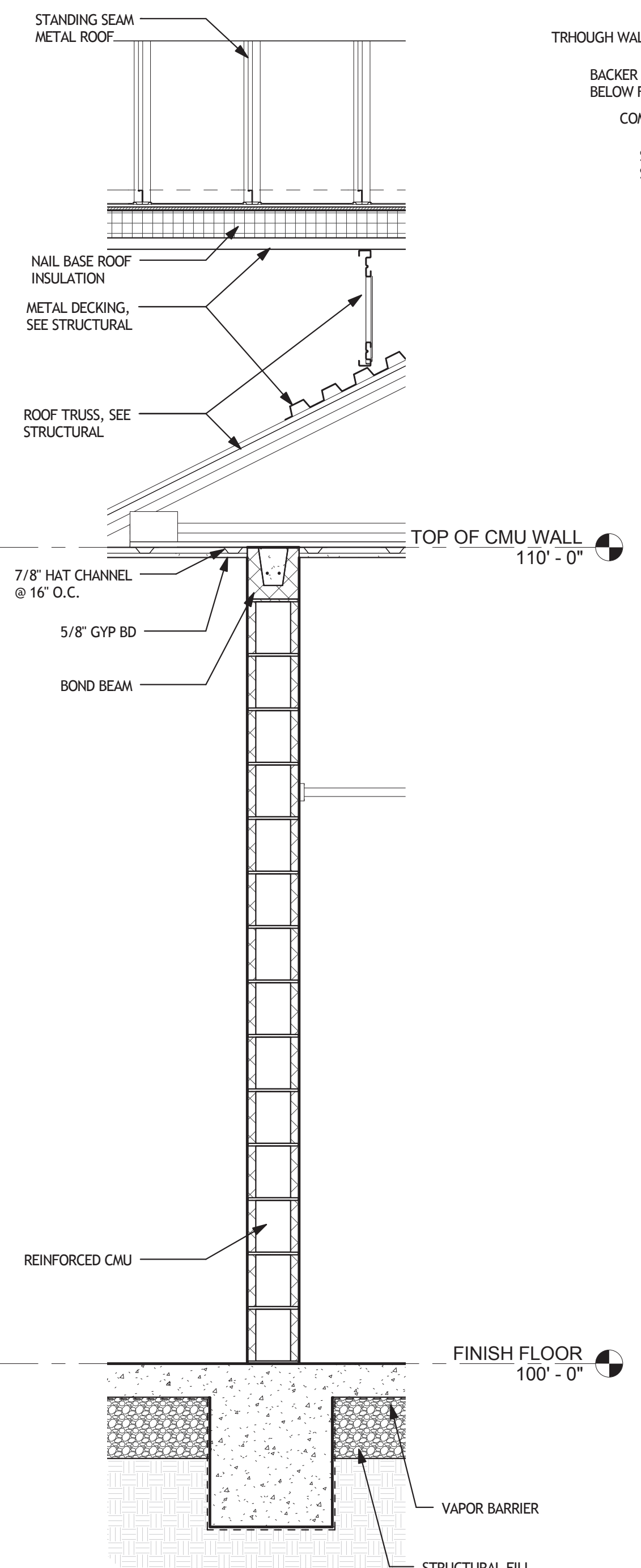
**14 ROOF VALLEY DETAIL**  
A301 SCALE: 3" = 1'-0"



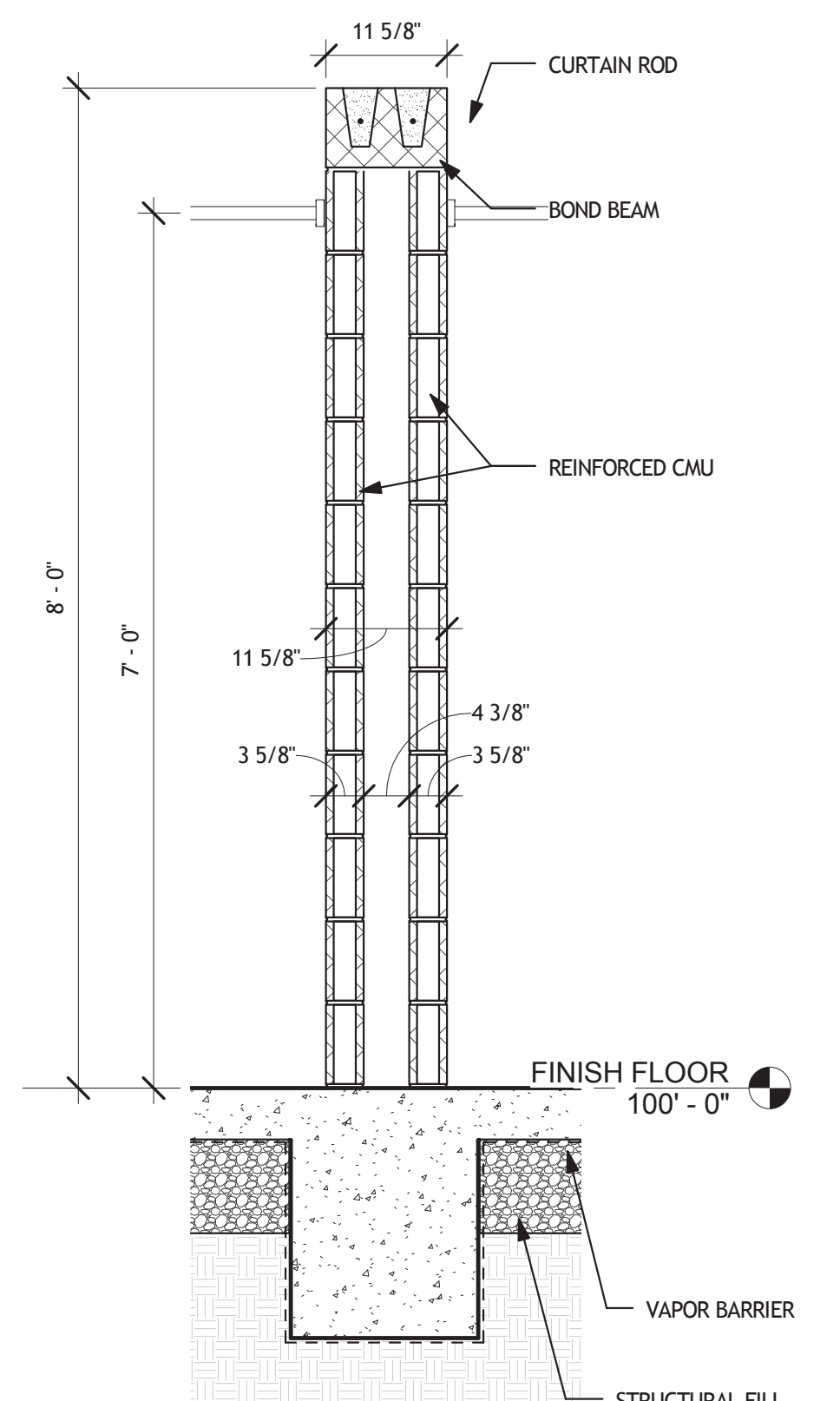
**13 PRECAST PANEL BUTT JOINT TYP.**  
A301 SCALE: 3" = 1'-0"



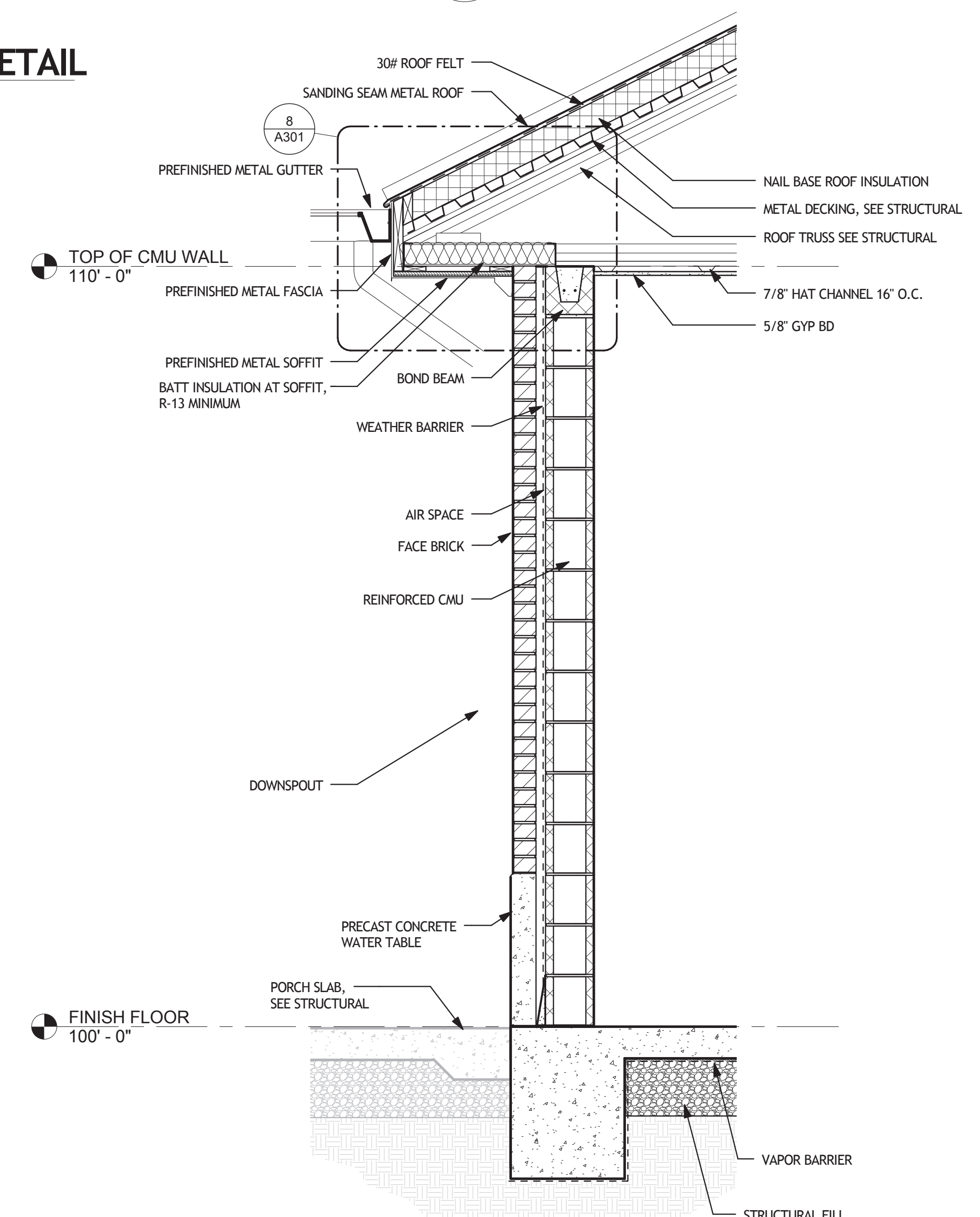
**1 WALL SECTION 1**  
A301 SCALE: 3/4" = 1'-0"



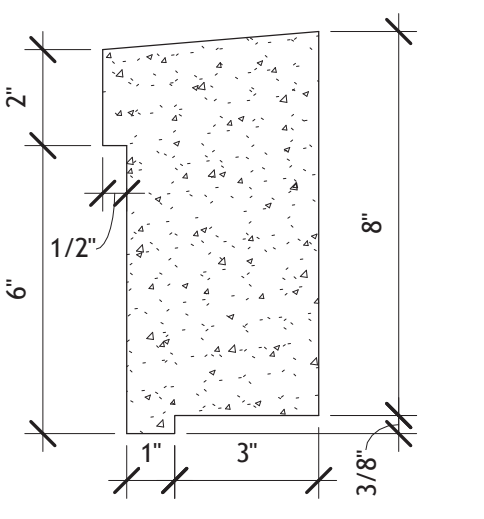
**3 WALL SECTION 3**  
A301 SCALE: 3/4" = 1'-0"



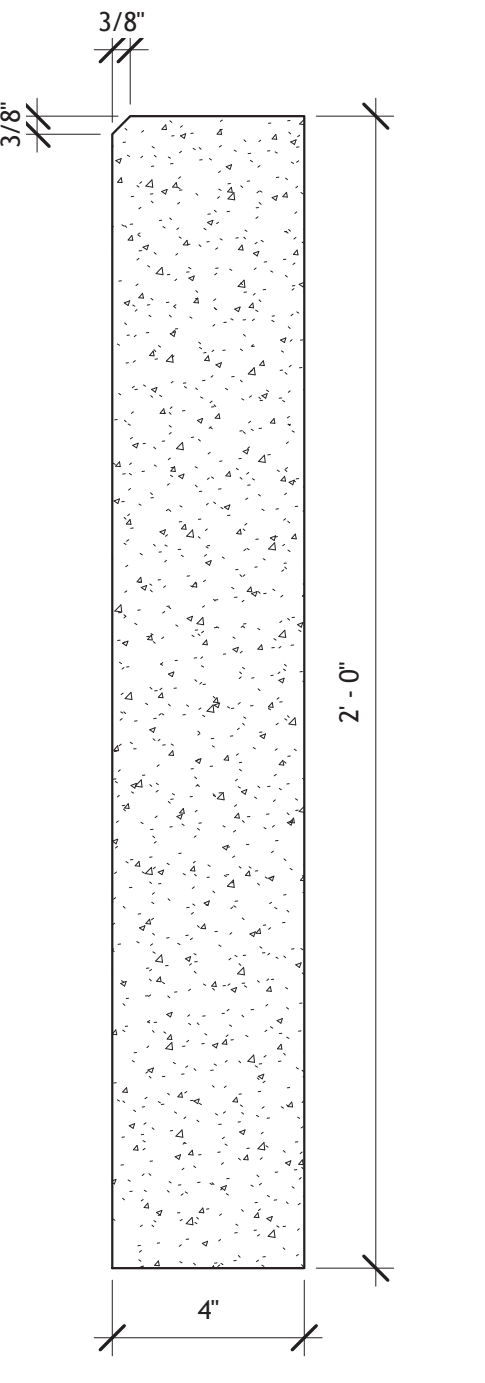
**4 WALL SECTION 4**  
A301 SCALE: 3/4" = 1'-0"



**5 WALL SECTION 5**  
A301 SCALE: 3/4" = 1'-0"



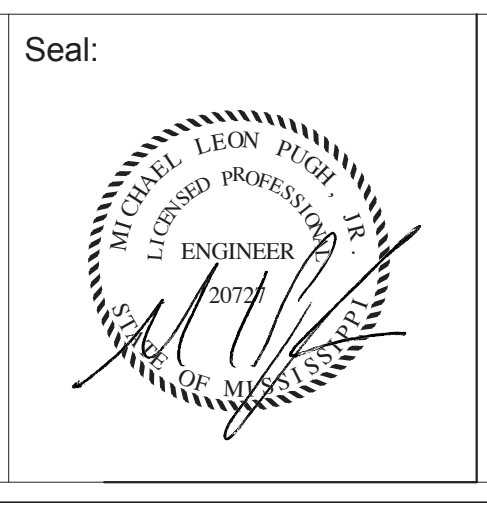
**12 PRECAST CORNICE PROFILE**  
A301 SCALE: 3" = 1'-0"



**11 PRECAST BASE PROFILE**  
A301 SCALE: 3" = 1'-0"

Revisions	Date

Consultants:



**ROYAL ENGINEERS & CONSULTANTS, LLC**  
4298 ELYSIAN FIELDS AVENUE  
NEW ORLEANS, LOUISIANA 70122  
www.royalengineering.net

Approved:
PROGRAM MANAGER, PROJECTS
SAFETY/INDUSTRIAL HYGIENE
HEALTH SYSTEM SPECIALIST
MAINTENANCE SUPERVISOR
MAINTENANCE FOREMAN
MAINTENANCE FOREMAN

Drawing Title
WALL SECTIONS
Approved: Service Engineer
Approved: Service Director

Project Title		
VA Gulf Coast Decontamination Unit		
Building Number	Checked	Drawn
XX	MP	IP
Location	VAMC BILOXI, MS	

Date
6/30/2015 4:23:28 PM
Project No.
520-13-136
Drawing No.
A301
Dwg. Of



FOR CONSTRUCTION