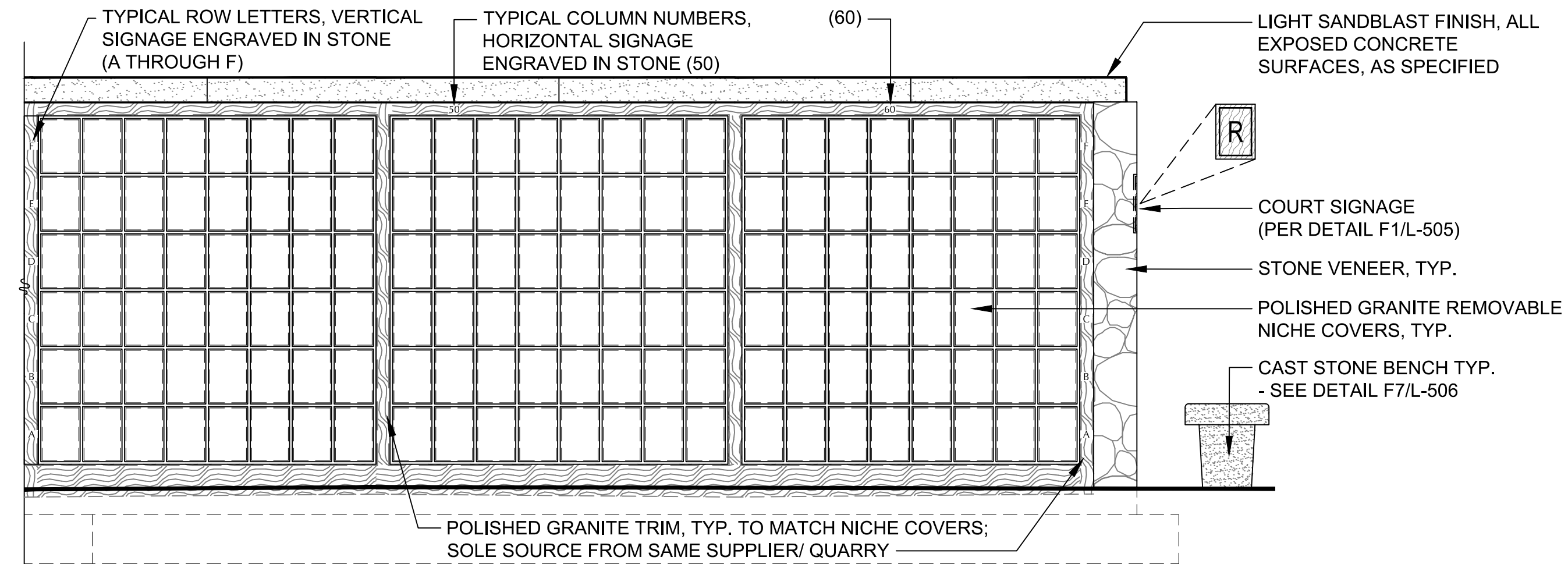
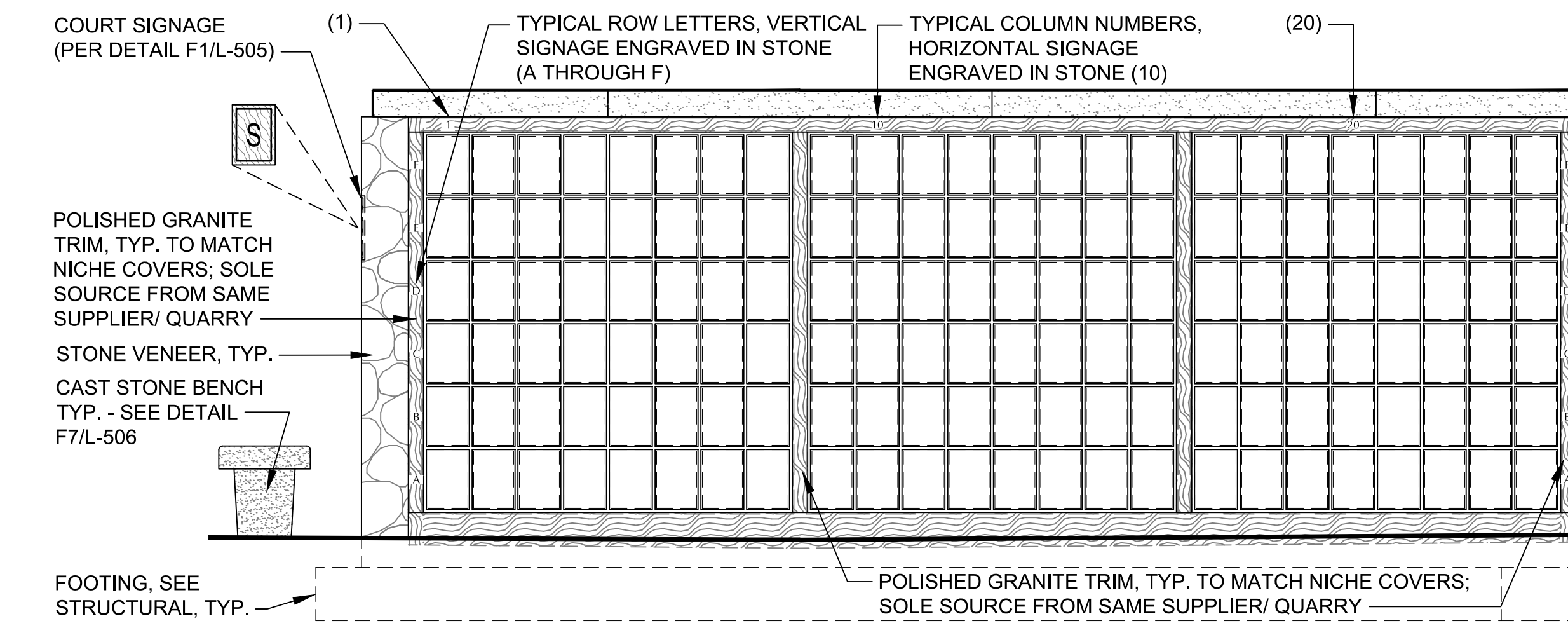


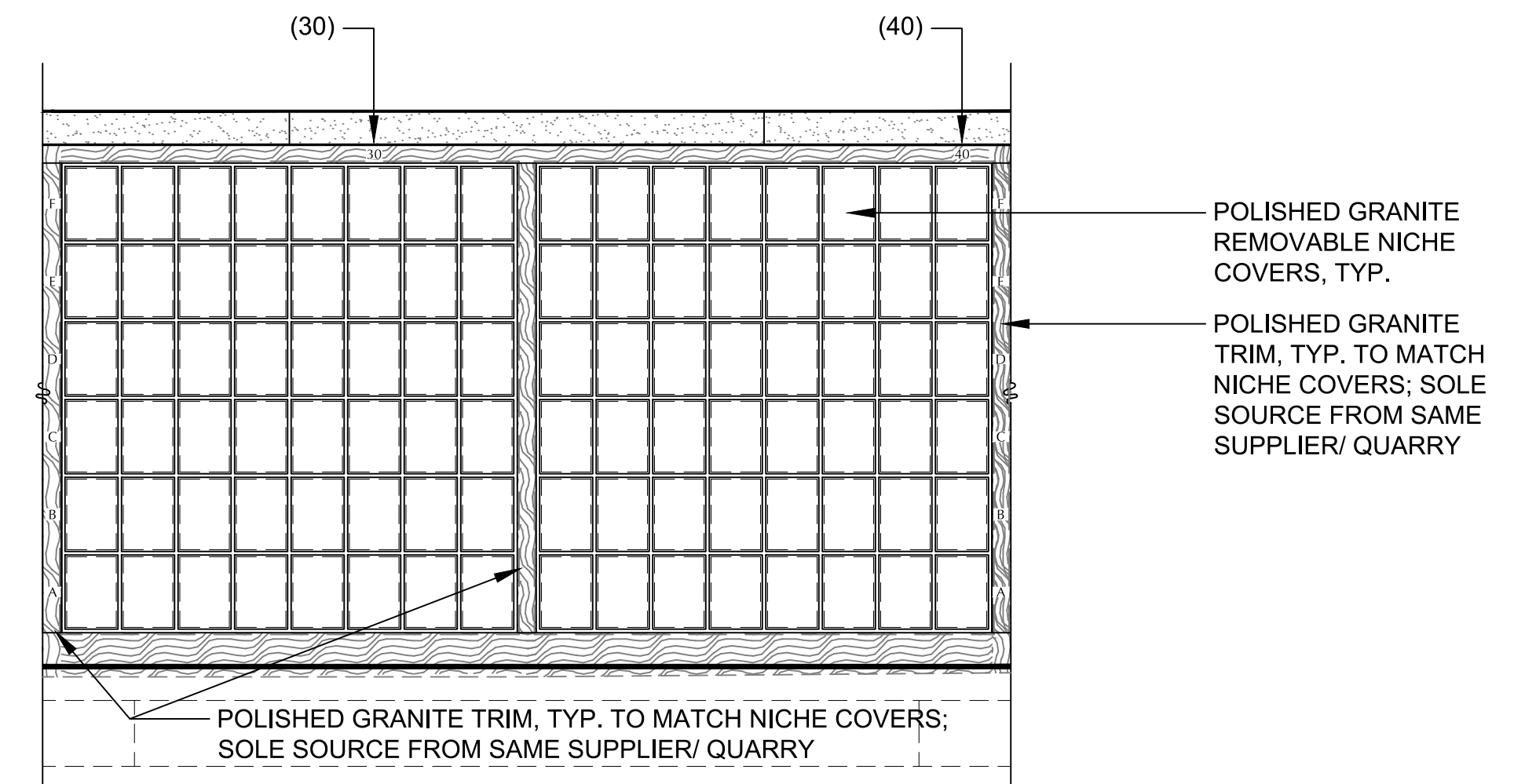
**B1**  
L-204  
COLUMBARIUM WALL ELEVATION R-2  
SCALE: 3/8" = 1'-0"



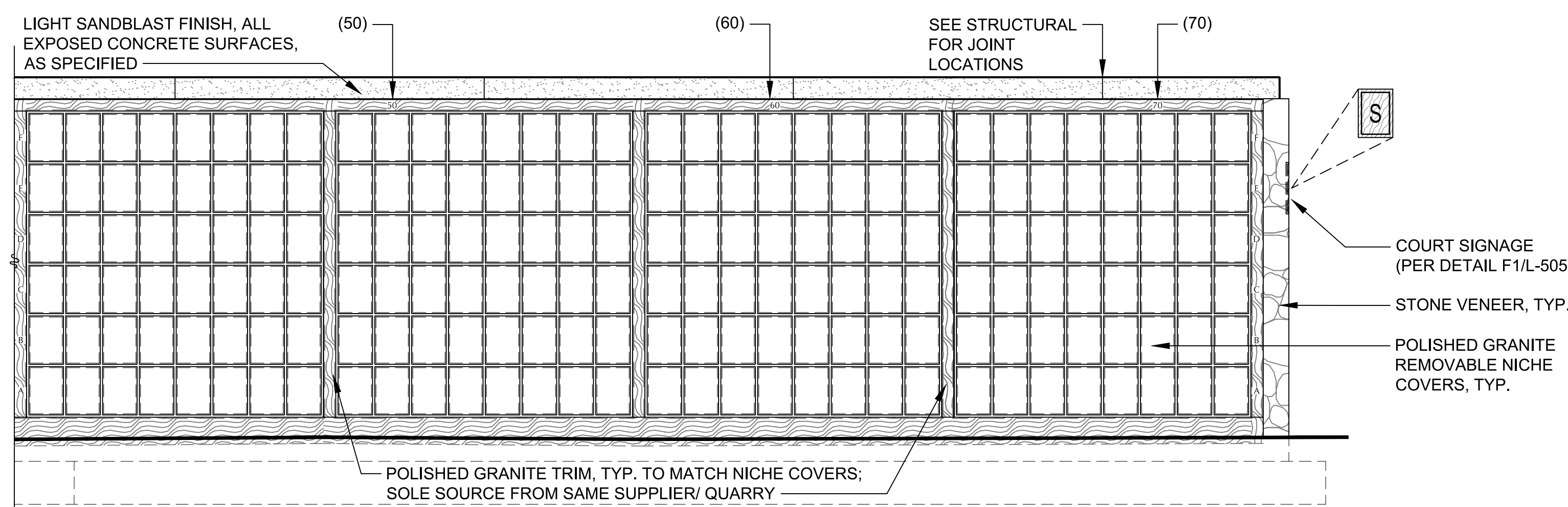
**B4**  
L-204  
COLUMBARIUM WALL ELEVATION R-3  
SCALE: 3/8" = 1'-0"



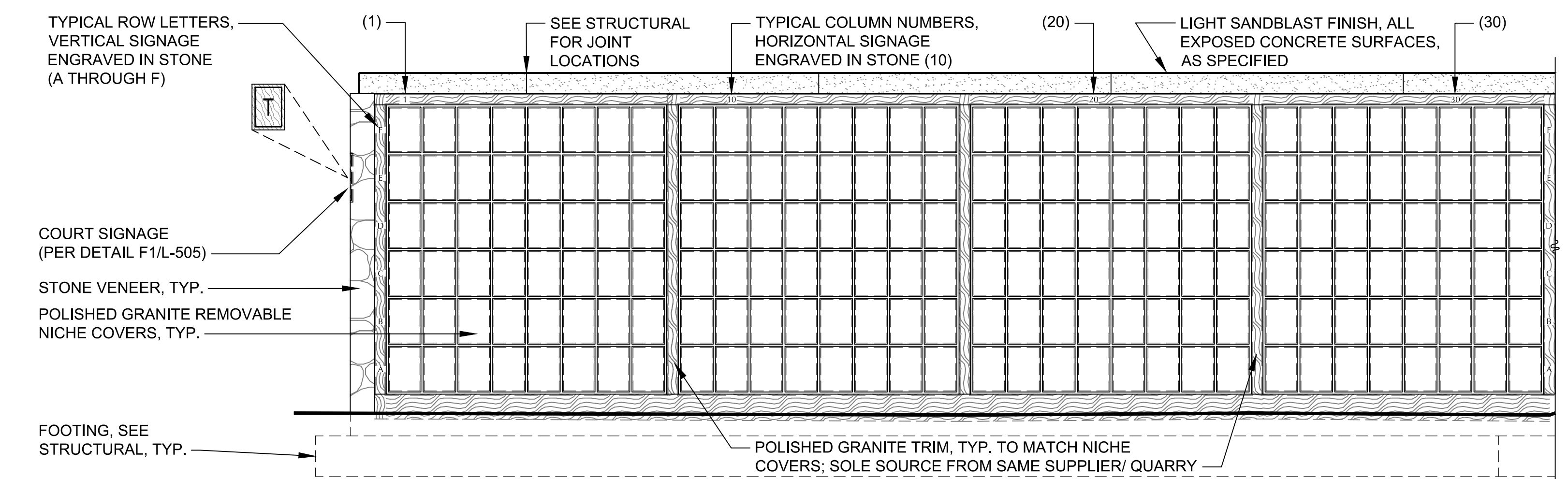
**C1**  
L-204  
COLUMBARIUM WALL ELEVATION S-1  
SCALE: 3/8" = 1'-0"



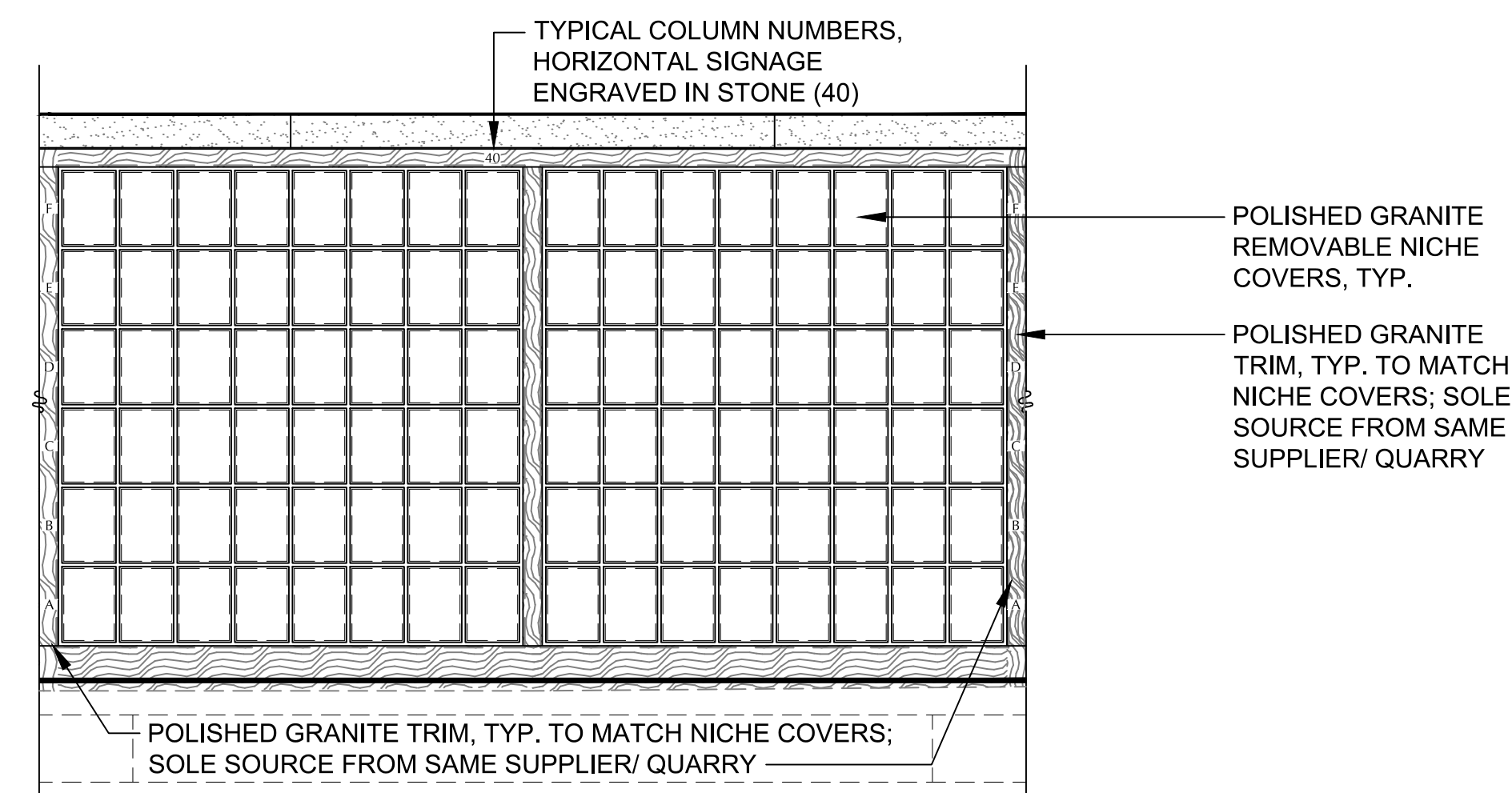
**C5**  
L-204  
COLUMBARIUM WALL ELEVATION S-2  
SCALE: 3/8" = 1'-0"



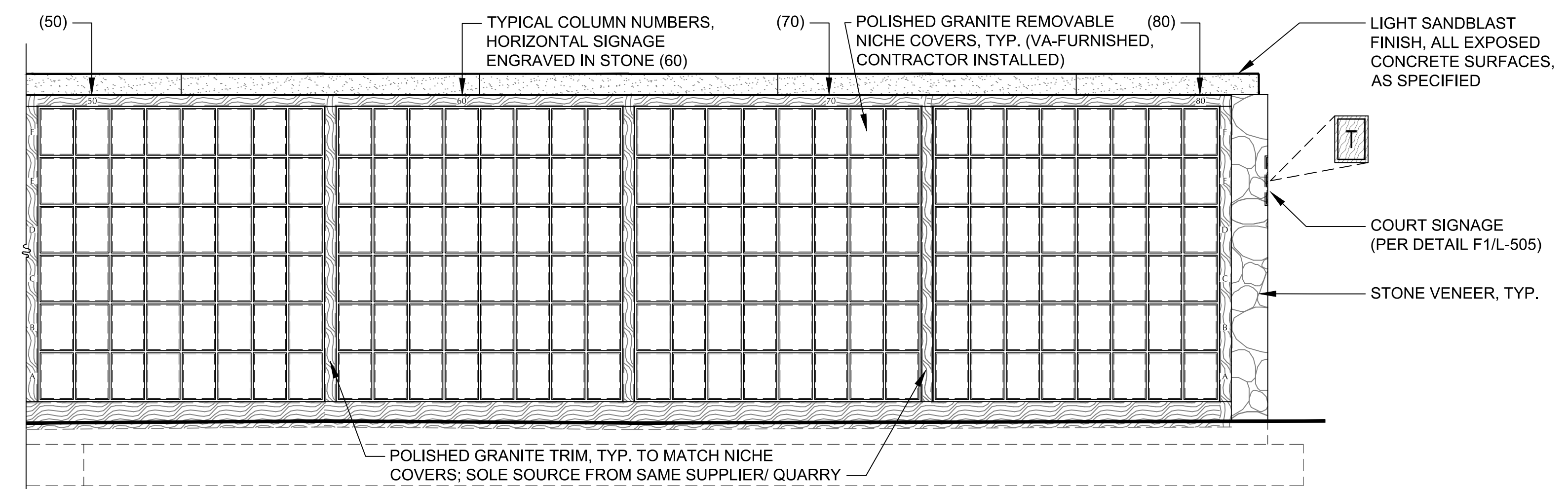
**E1**  
L-204  
COLUMBARIUM WALL ELEVATION S-3  
SCALE: 3/8" = 1'-0"



**E5**  
L-204  
COLUMBARIUM WALL ELEVATION T-1  
SCALE: 3/8" = 1'-0"



**F2**  
L-204  
COLUMBARIUM WALL ELEVATION T-2  
SCALE: 3/8" = 1'-0"



**F5**  
L-204  
COLUMBARIUM WALL ELEVATION T-3  
SCALE: 3/8" = 1'-0"

three inches = one foot  
one and one half inches = one foot  
one inch = one foot  
three quarters inch = one foot  
one half inch = one foot  
three eighths inch = one foot  
one quarter inch = one foot  
one eighth inch = one foot

CONSULTANTS:

ARCHITECT/ENGINEERS:



Drawing Title  
WALL ELEVATIONS #4

Project Title  
Expand Columbarium A

Project Number  
901CM3040

Approved: Project Director

Location  
Riverside National Cemetery,  
22495 Van Buren Blvd, Riverside CA 92518

Drawing Number  
L-204

Date  
May 26, 2016

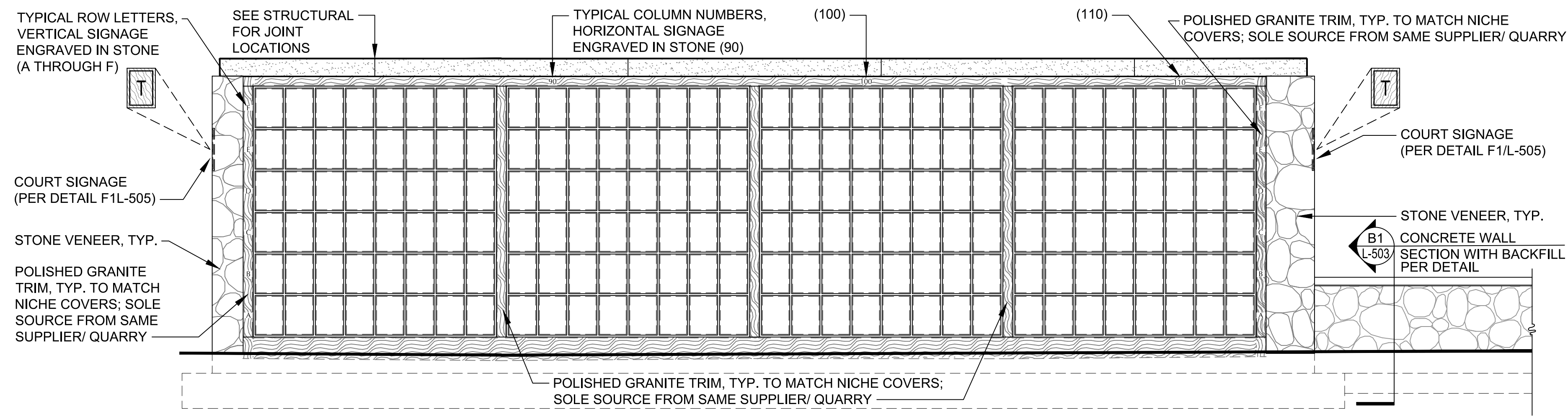
Checked  
EH

Drawn  
EH/JH/AW

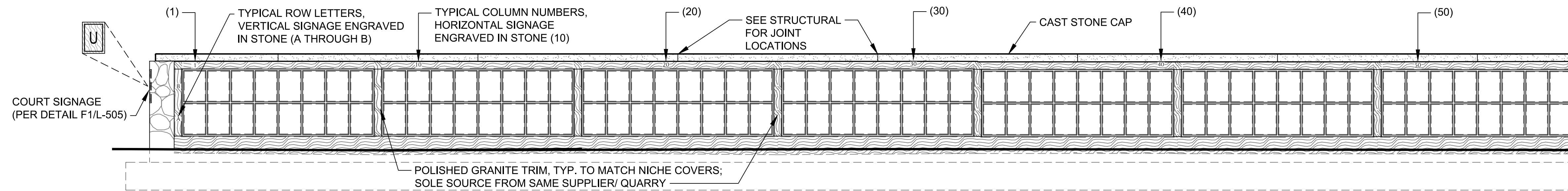
Dwg. 23 of 47

NCA DESIGN AND CONSTRUCTION SERVICE

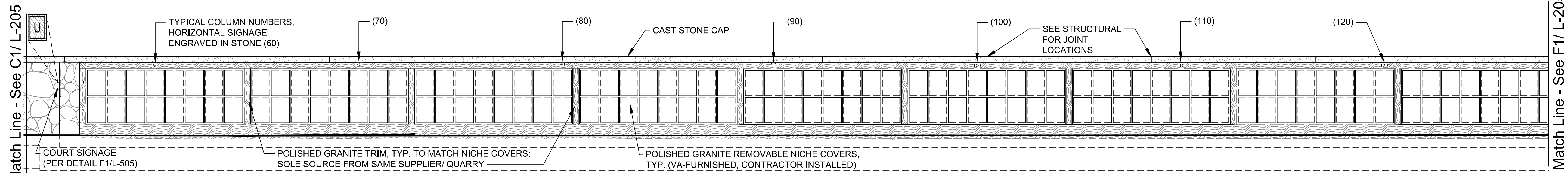




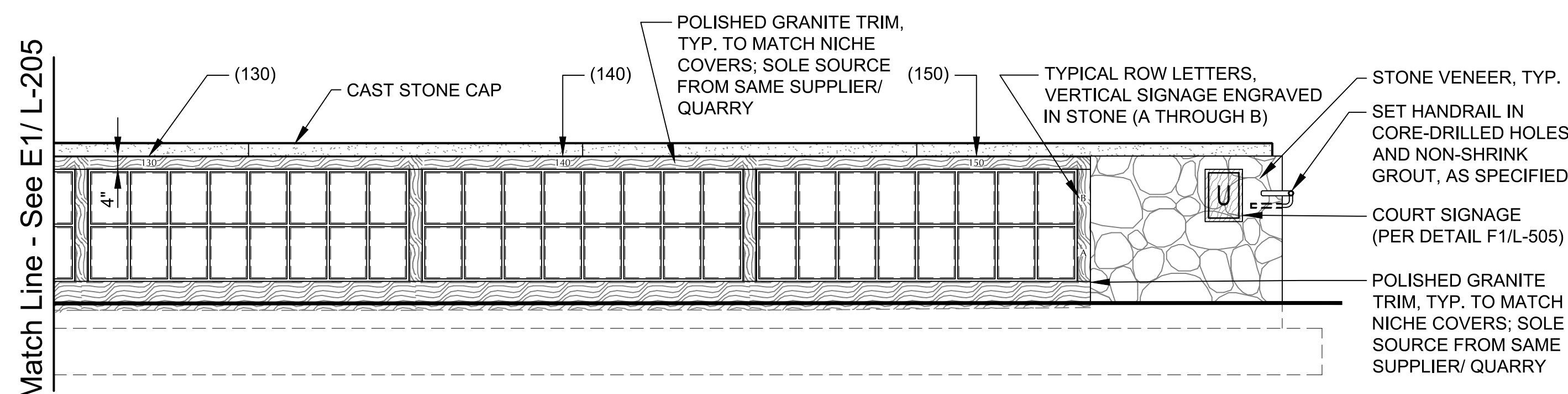
**B1**  
L-205  
COLUMBARIUM WALL ELEVATION T-4  
SCALE: 3/8" = 1'-0"



**C1**  
L-205  
COLUMBARIUM WALL ELEVATION U-1  
SCALE: 3/8" = 1'-0"



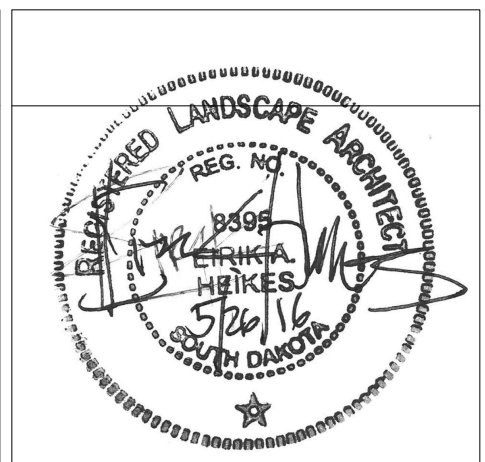
**E1**  
L-205  
COLUMBARIUM WALL ELEVATION U-2  
SCALE: 3/8" = 1'-0"



**F1**  
L-205  
COLUMBARIUM WALL ELEVATION U-2  
SCALE: 3/8" = 1'-0"

three inches = one foot  
one and one half inches = one foot  
one inch = one foot  
three quarters inch = one foot  
one half inch = one foot  
three eighths inch = one foot  
one quarter inch = one foot  
one eighth inch = one foot

CONSULTANTS:



ARCHITECT/ENGINEERS:  
**FOURFRONT DESIGN INC.**  
517 7th street  
rapid city sd 57701  
p 605.342.9470  
f 605.342.2377  
www.4front.biz

Drawing Title  
**WALL ELEVATIONS #5**

Approved: Project Director

Project Title  
**Expand Columbarium A**

Location  
Riverside National Cemetery,  
22495 Van Buren Blvd, Riverside CA 92518

Date  
May 26, 2016

Checked  
EH

Drawn  
EH/JH/AW

Project Number  
901CM3040

Building Number

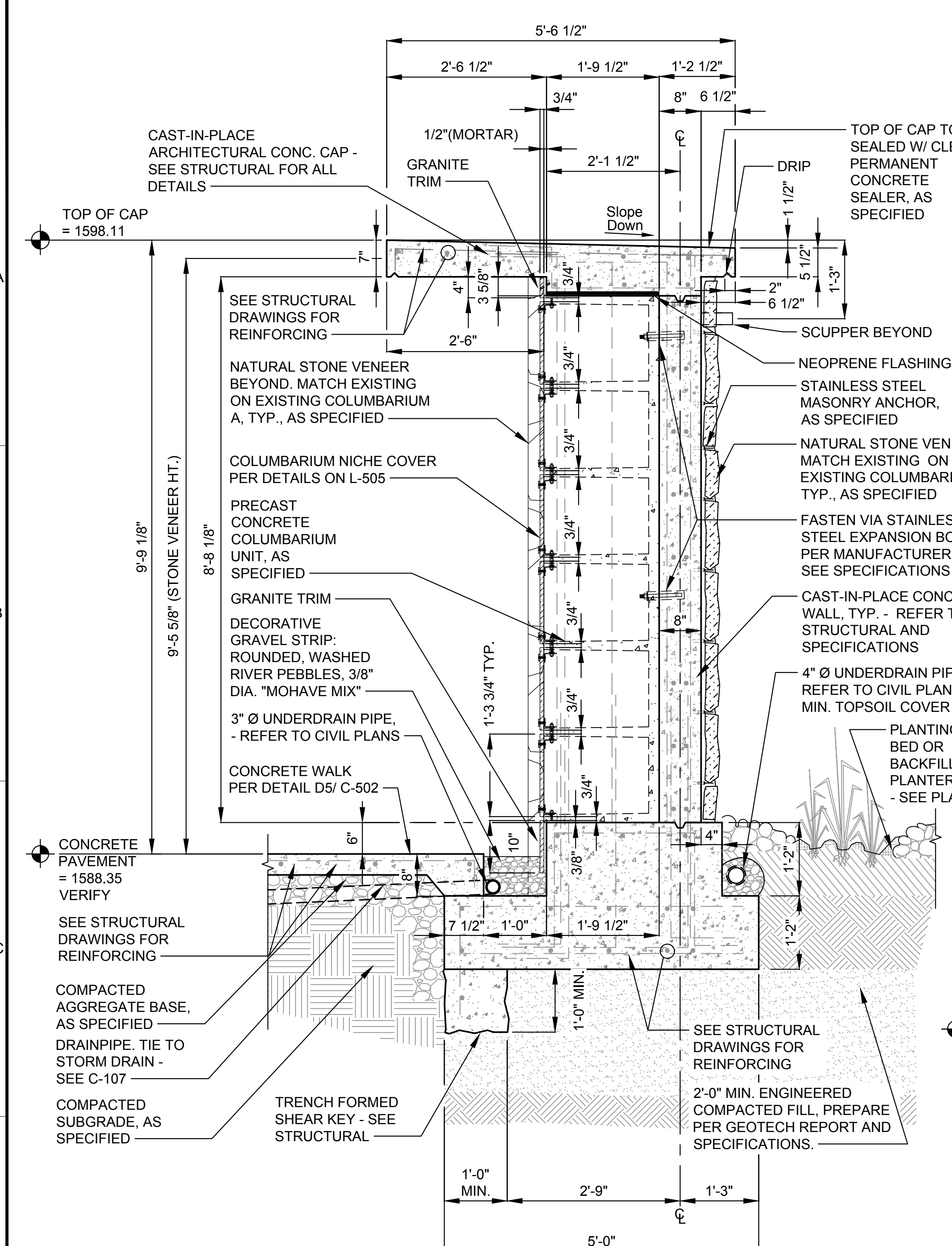
Drawing Number  
**L-205**

Dwg. 24 of 47

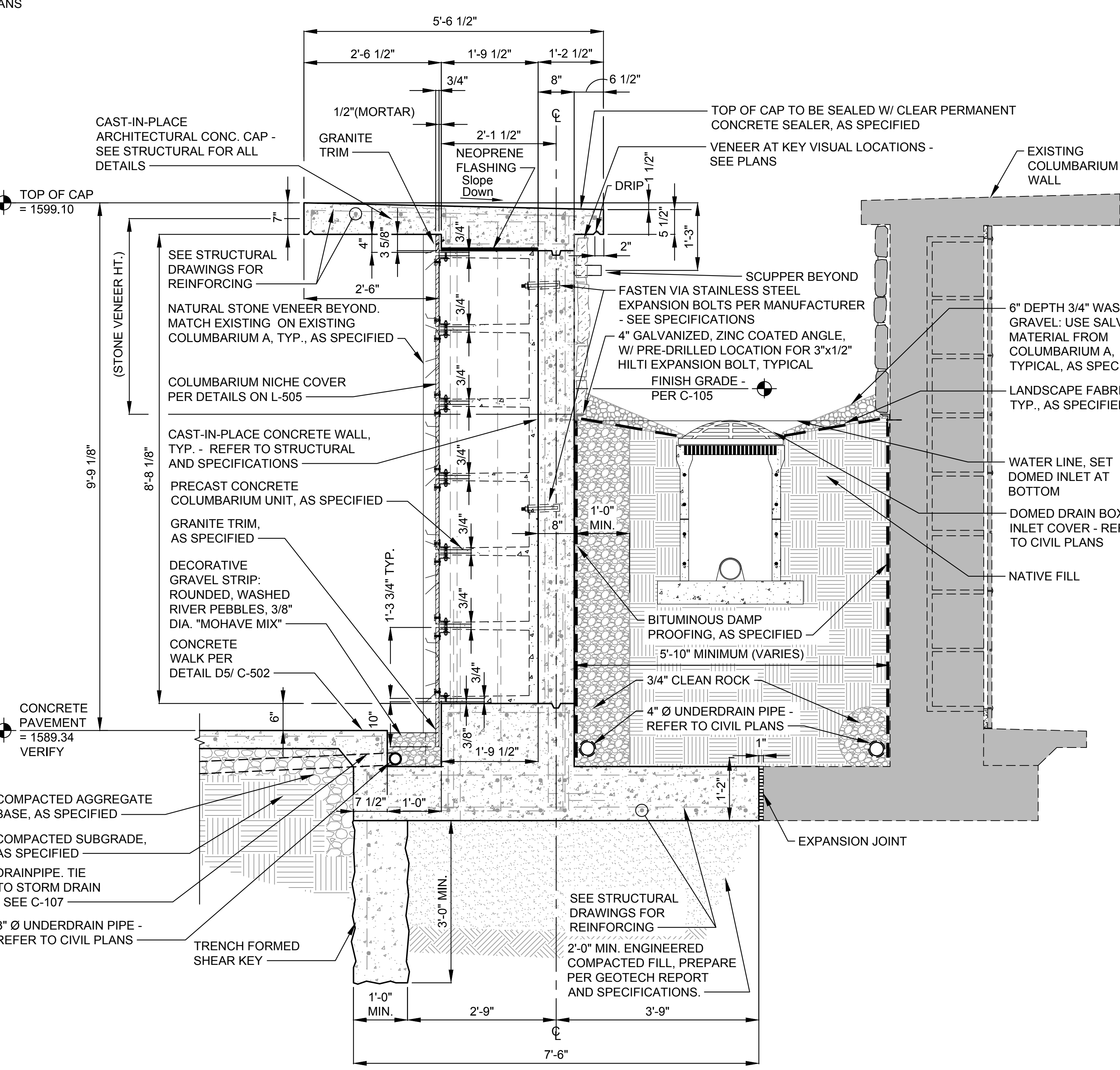
**NCA DESIGN AND CONSTRUCTION SERVICE**

Department of Veterans Affairs

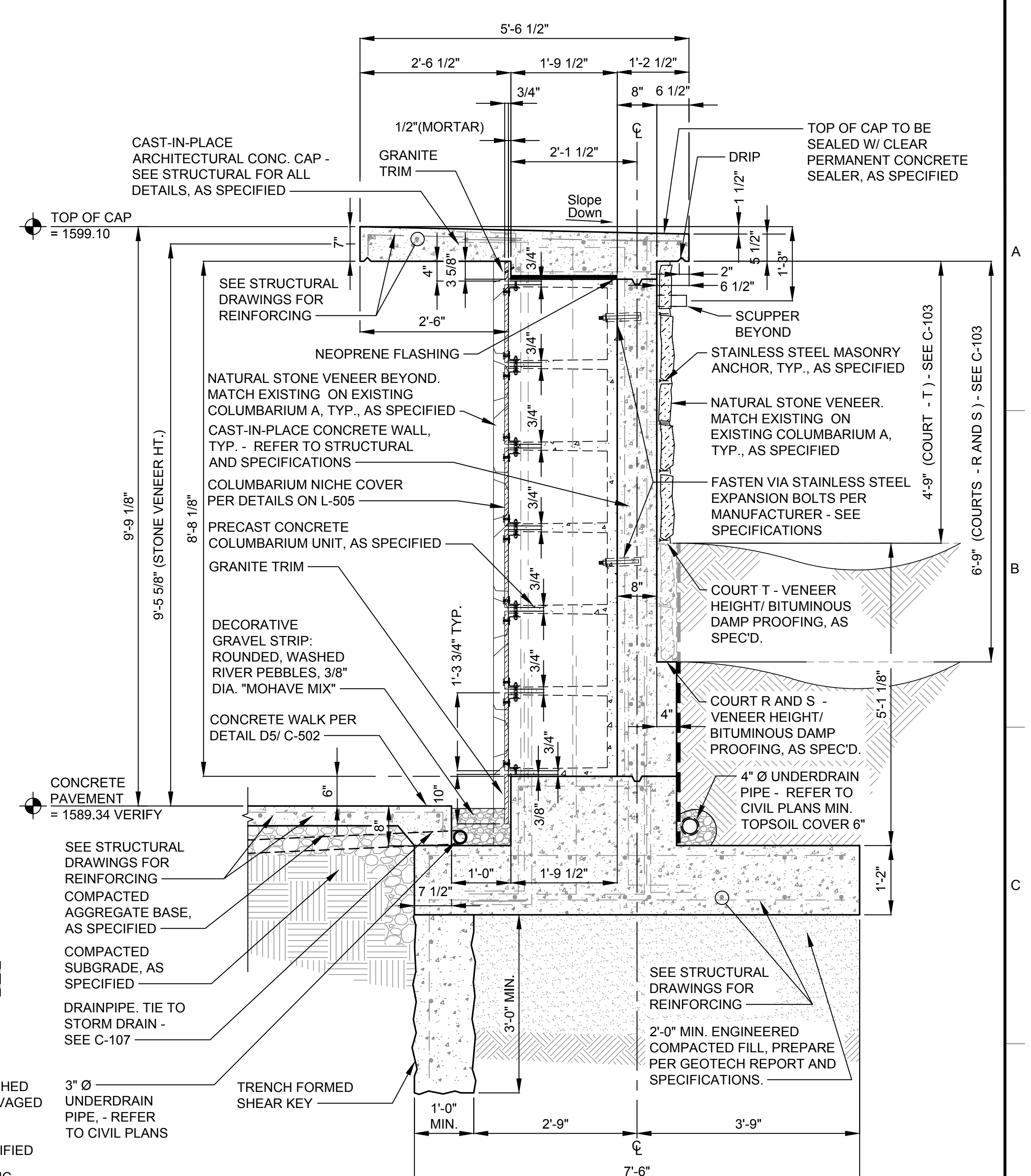
three inches = one foot  
 one and one half inches = one foot  
 one inch = one foot  
 three quarters inch = one foot  
 one half inch = one foot  
 three eighths inch = one foot  
 one quarter inch = one foot  
 one eighth inch = one foot



**D1**  
**L-501**  
**COLUMBARIUM WALL SECTION**  
**COURTS K, M AND N**  
 3/4" = 1'-0"



**F4**  
**L-501**  
**COLUMBARIUM WALL SECTION BACK TO EXISTING**  
 3/4" = 1'-0"

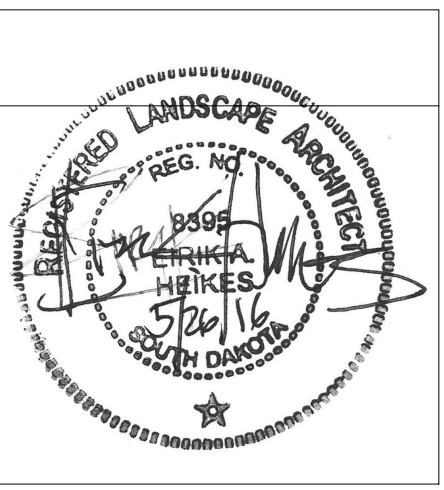


**D8**  
**L-501**  
**COLUMBARIUM WALL SECTION**  
**COURTS R, S AND T**  
 3/4" = 1'-0"

Revisions:

No.	Description	Date

**CONSULTANTS:**



**ARCHITECT/ENGINEERS:**

**FOURFRONT DESIGN INC.**

517 7th street  
 rapid city sd 57701  
 p 605.342.9470  
 f 605.342.2377  
 www.4front.biz

Drawing Title  
**SECTIONS AND DETAILS: COLUMBARIUM WALLS #1**

Approved: Project Director

Project Title  
**Expand Columbarium A**

Project Number  
 901CM3040

Building Number

Drawing Number  
**L-501**

Dwg. 25 of 47

**NCA DESIGN AND CONSTRUCTION SERVICE**

Department of Veterans Affairs