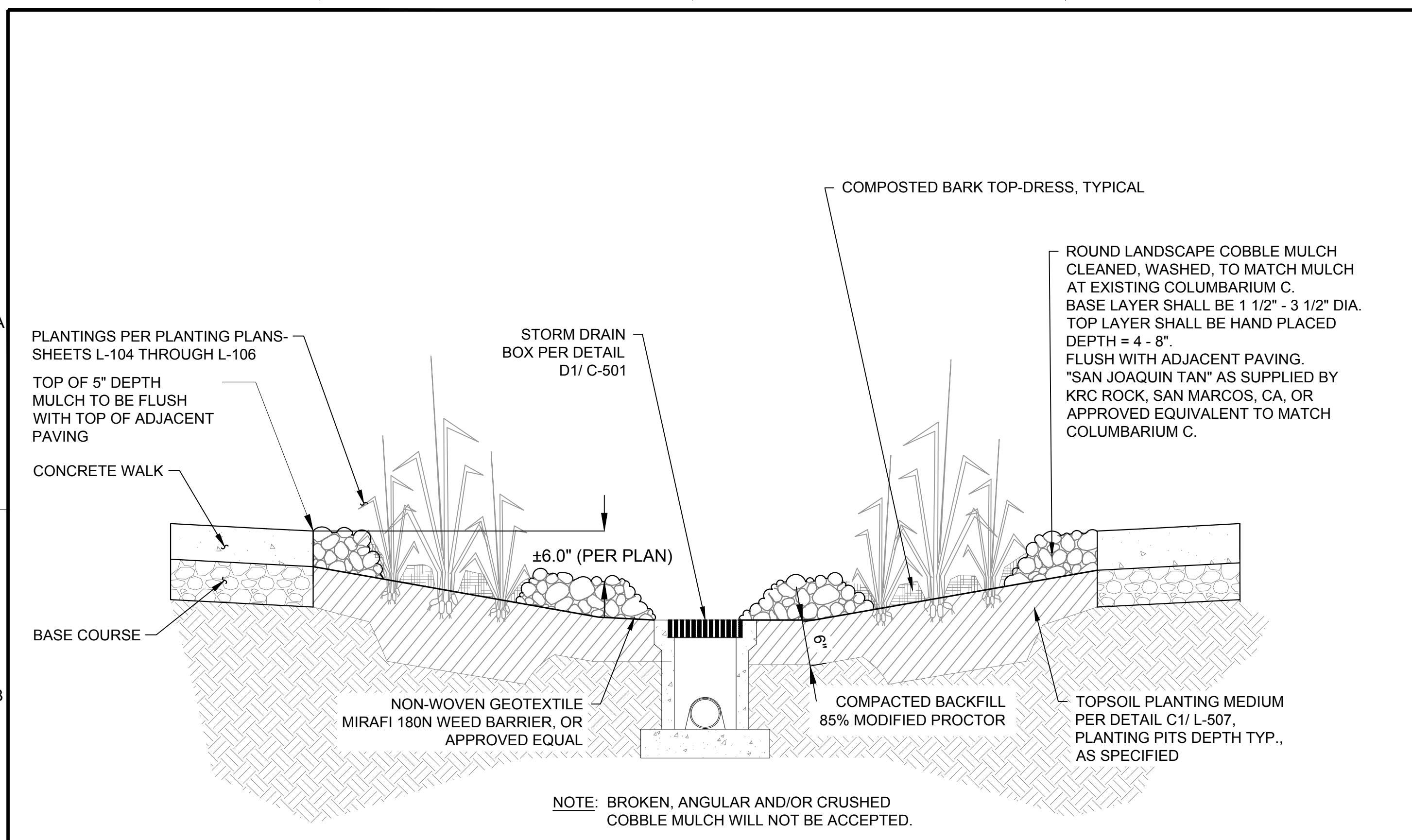
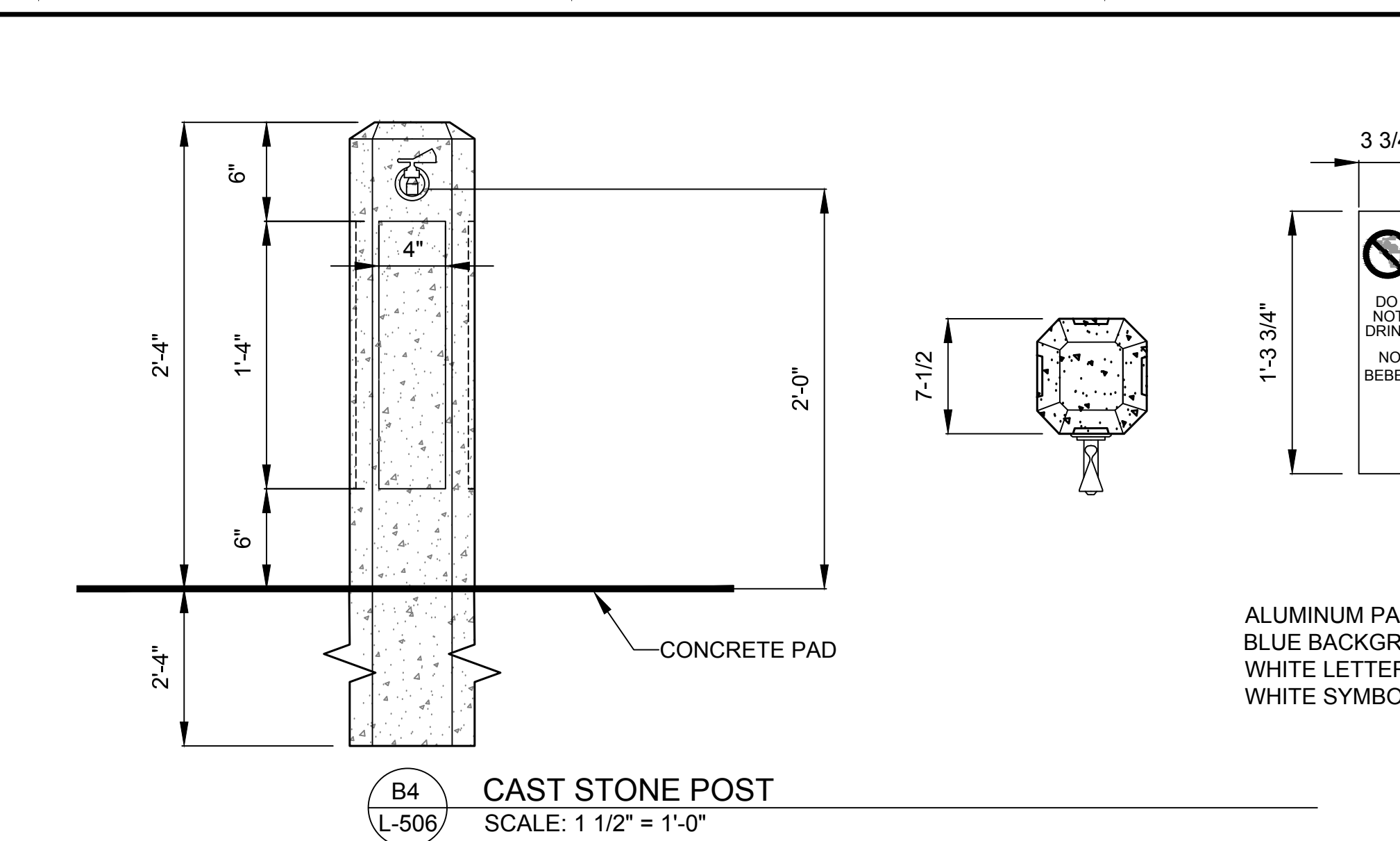


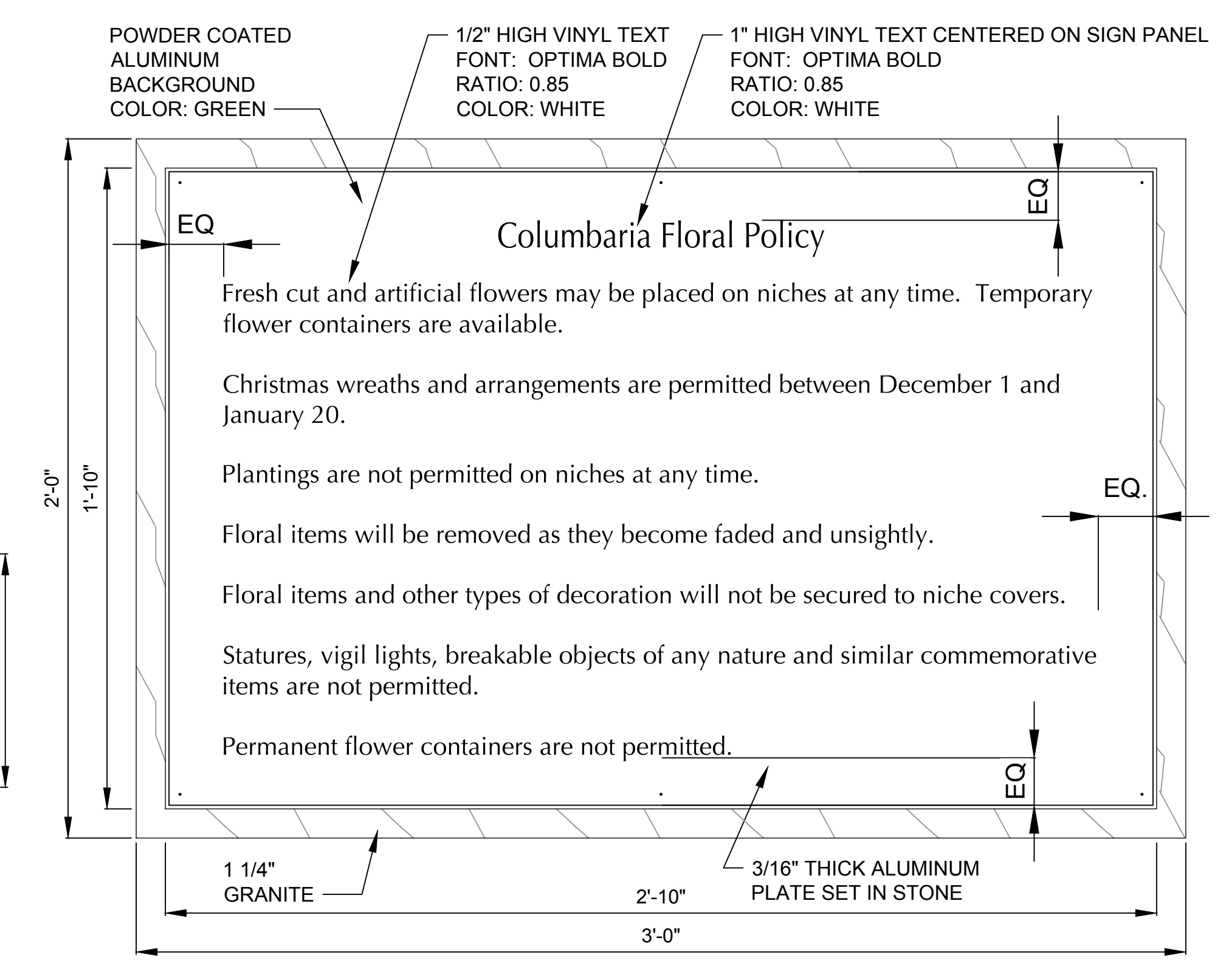
three inches = one foot
 one and one half inches = one foot
 one inch = one foot
 three quarters inch = one foot
 one half inch = one foot
 three eighths inch = one foot
 one quarter inch = one foot
 three eighths inch = one foot
 one eighth inch = one foot
 one eighth inch = one foot
 one eighth inch = one foot



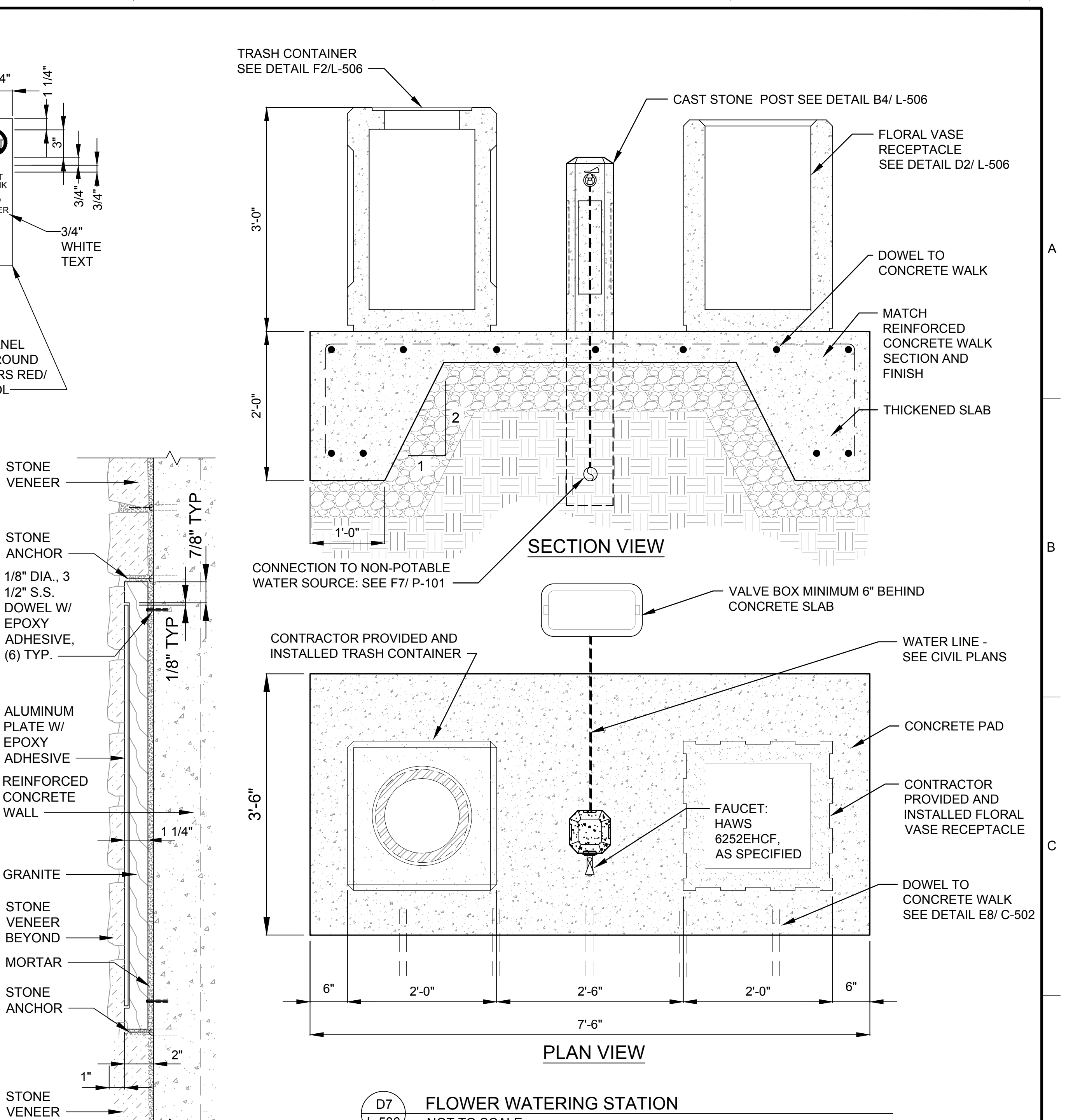
C1
L-506
COBBLE MULCH BED
NOT TO SCALE



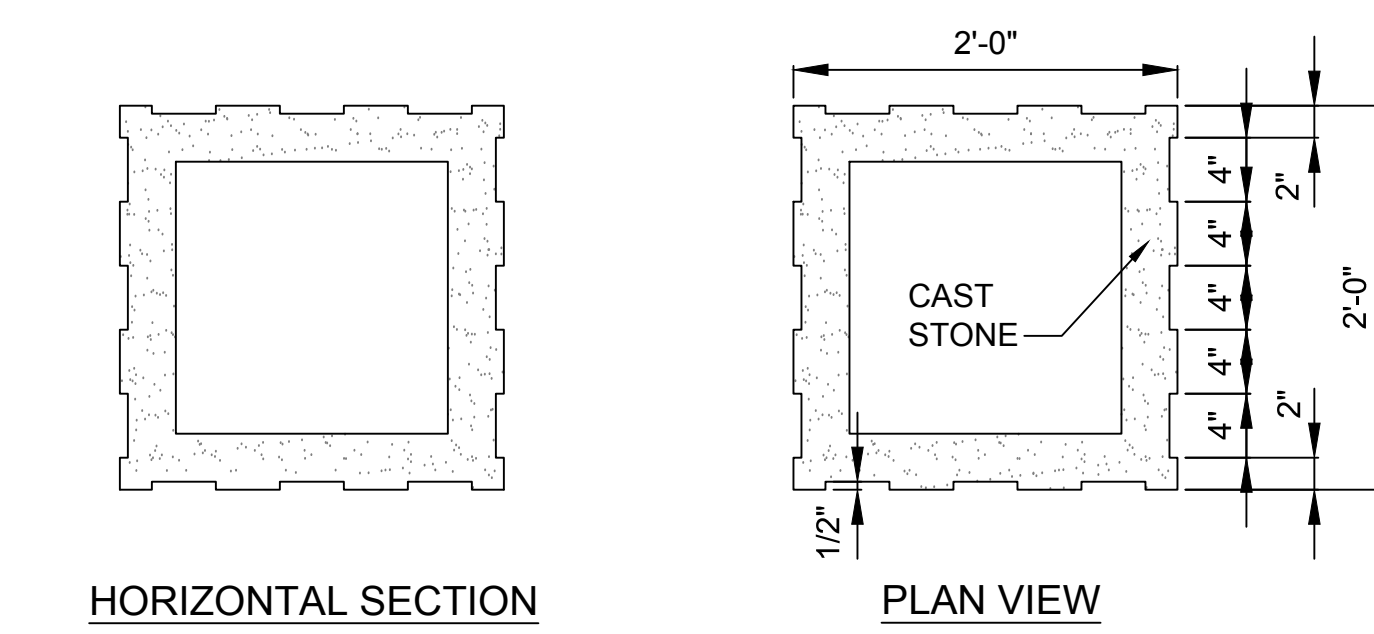
B4
L-506
CAST STONE POST
SCALE: 1 1/2" = 1'-0"



F5
L-506
FLORAL SIGNAGE AFFIXED TO VENEER WALL
NOT TO SCALE

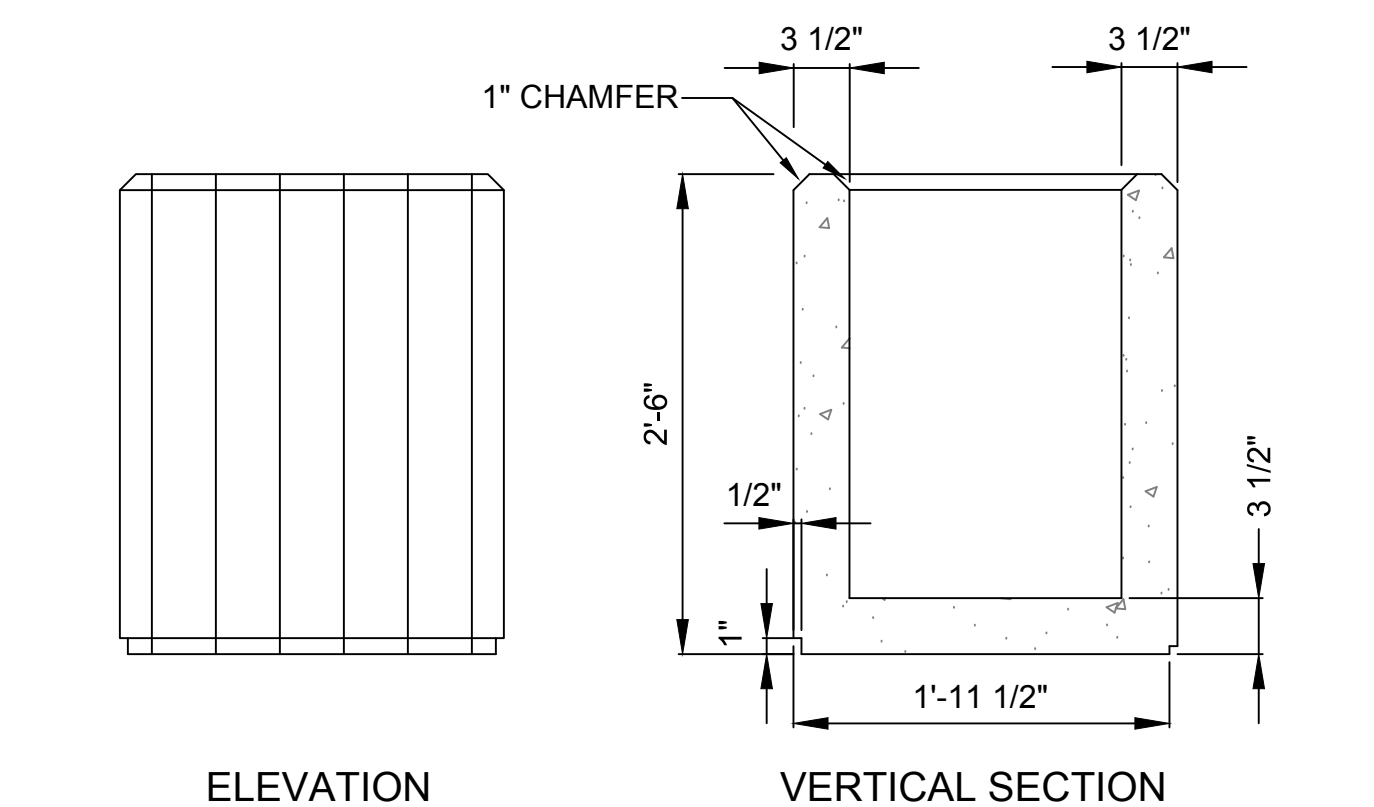


D7
L-506
FLOWER WATERING STATION
NOT TO SCALE



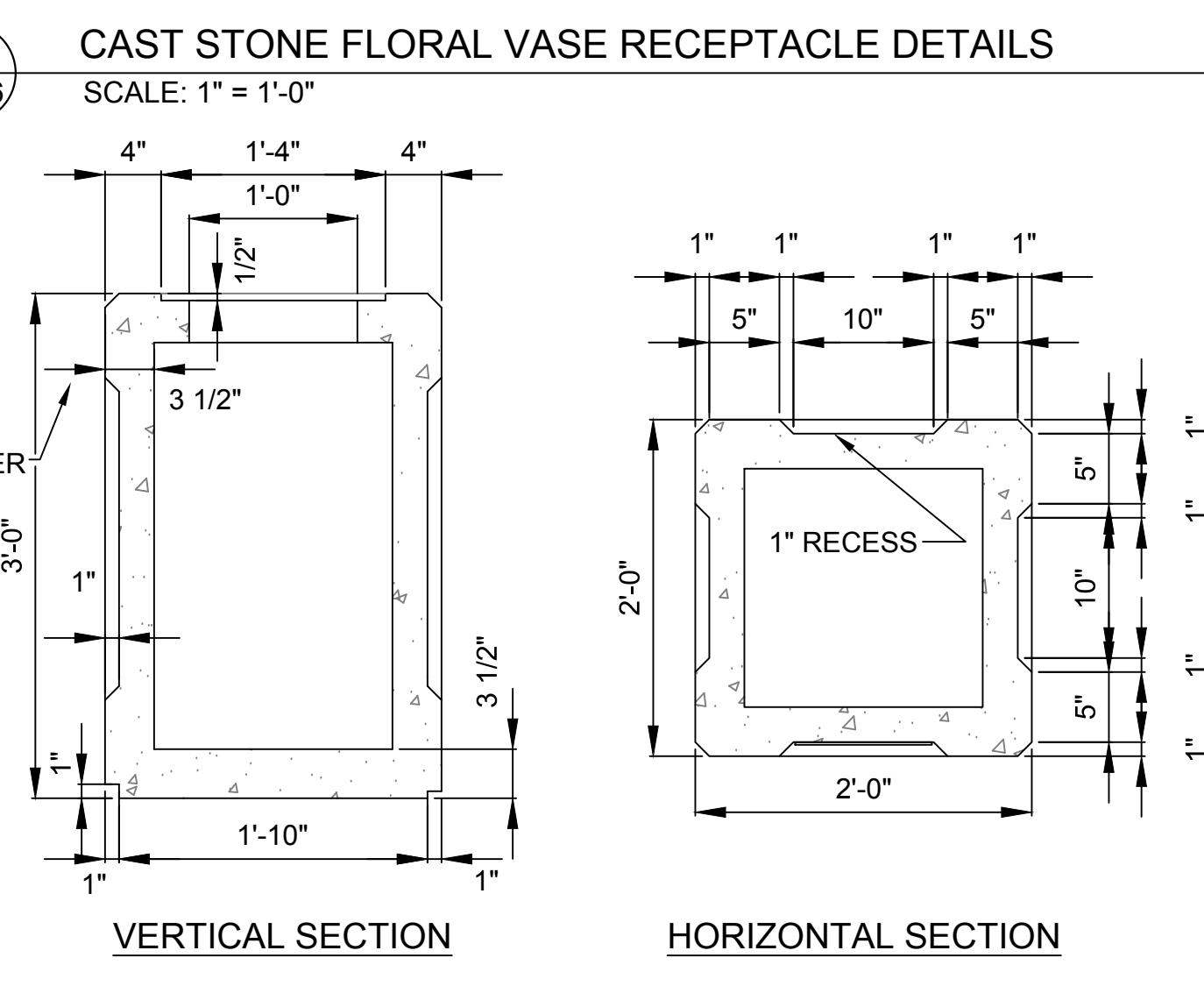
HORIZONTAL SECTION

PLAN VIEW

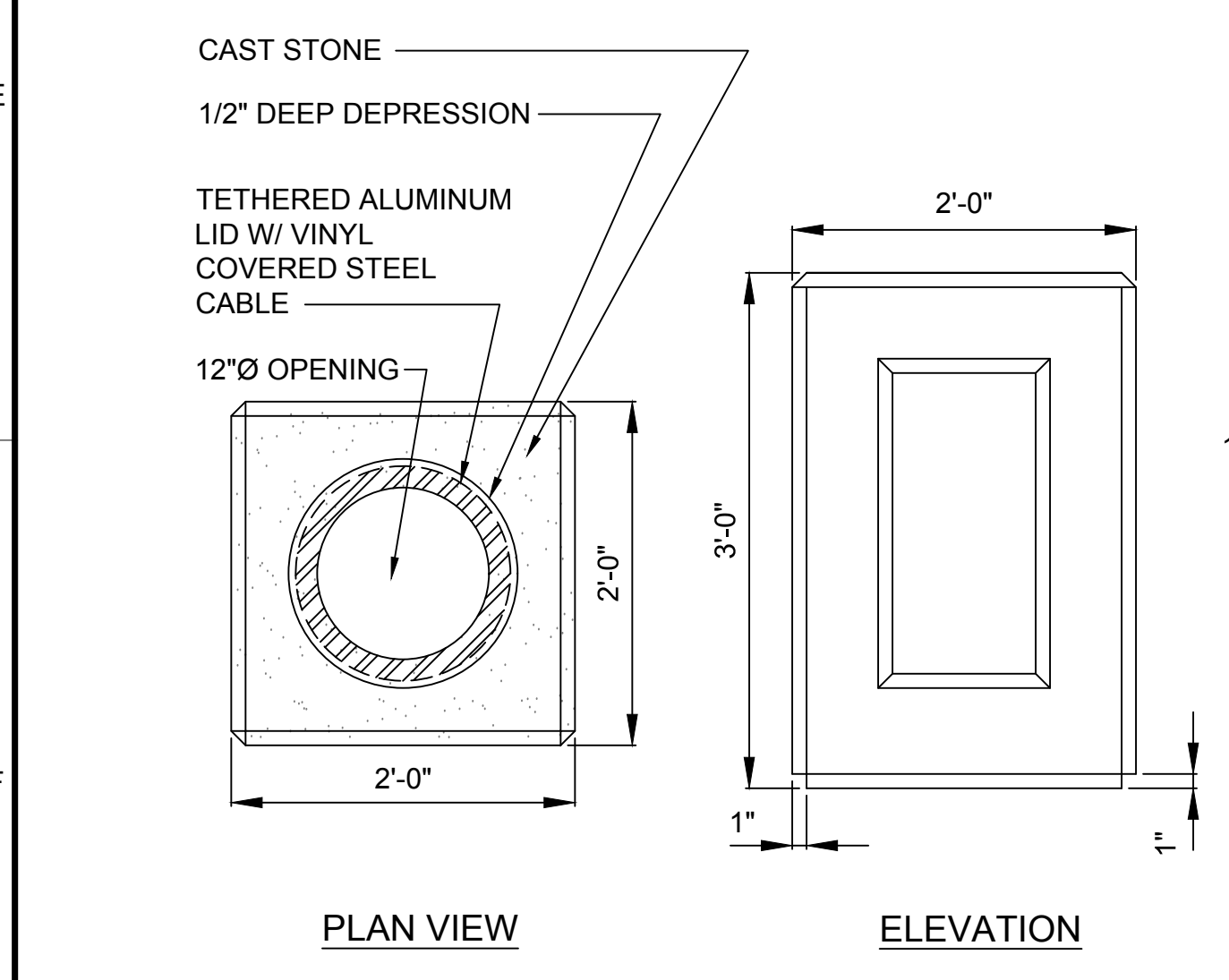


ELEVATION

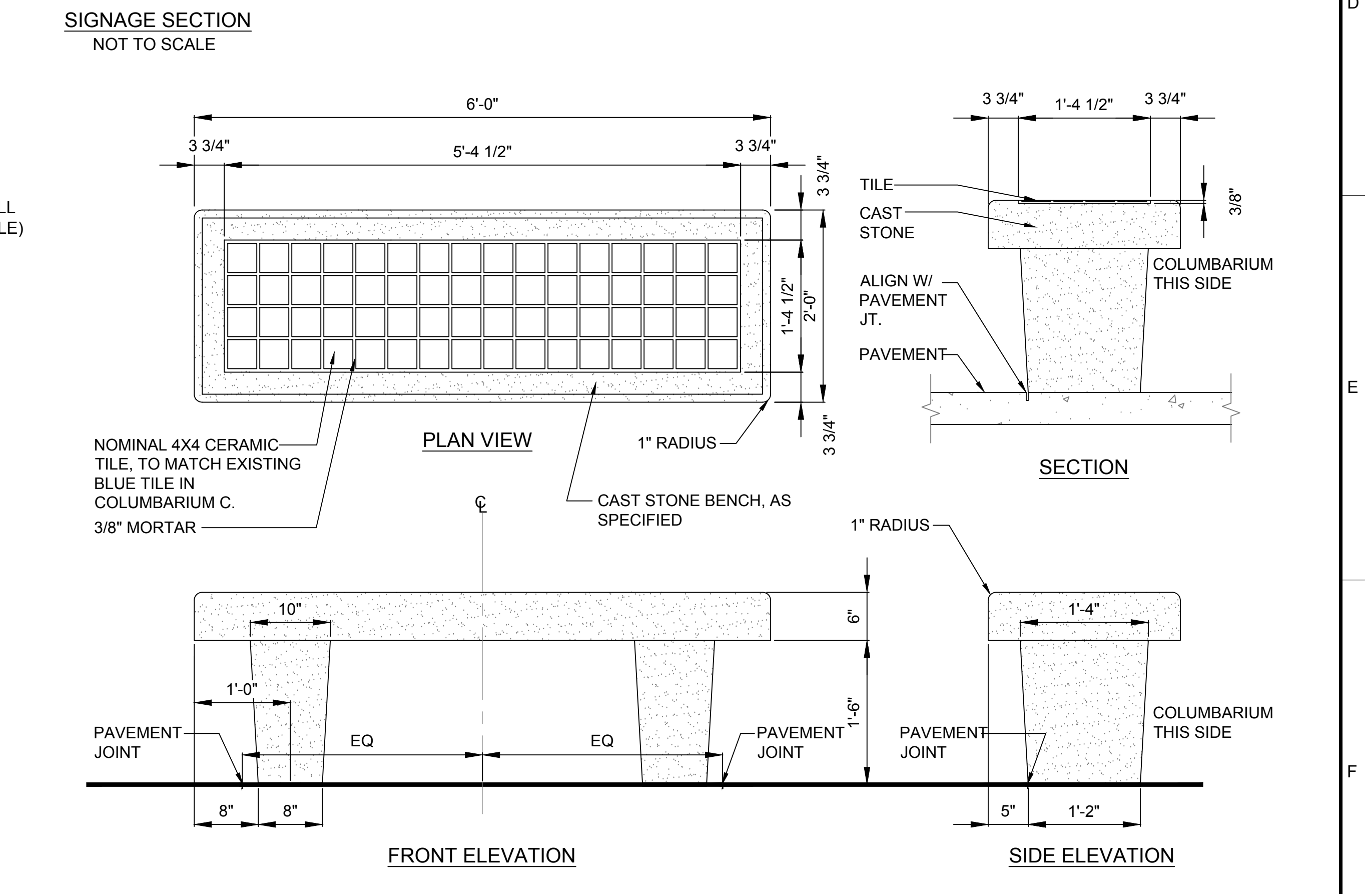
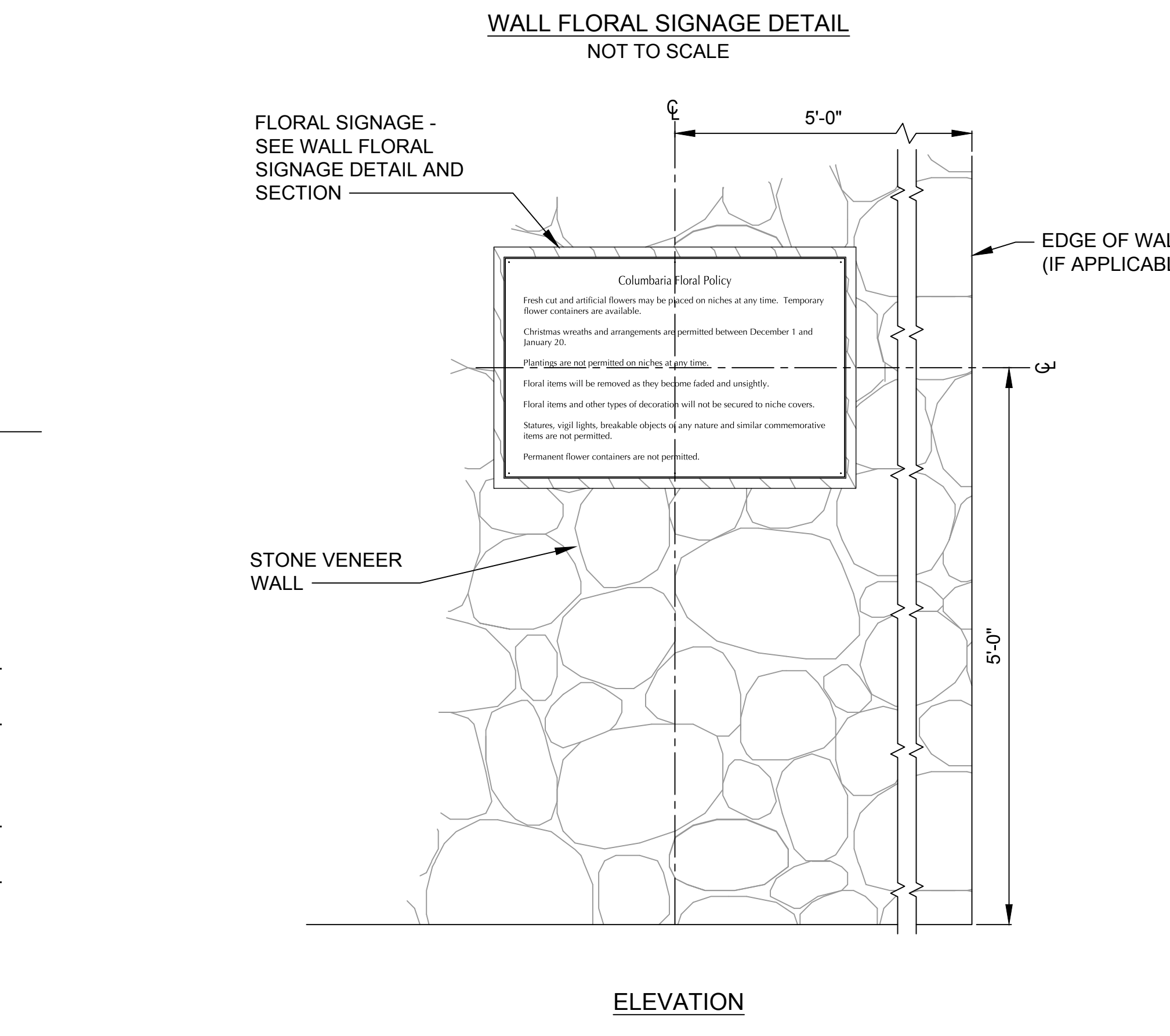
VERTICAL SECTION



D2
L-506
CAST STONE FLORAL VASE RECEPTACLE DETAILS
SCALE: 1" = 1'-0"



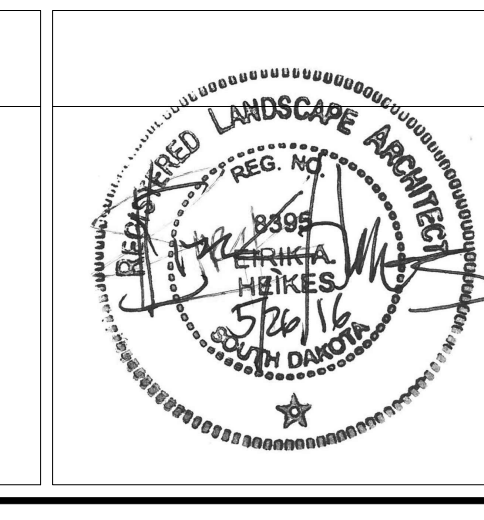
F2
L-506
CAST STONE TRASH CONTAINER DETAILS
SCALE: 1" = 1'-0"



F7
L-506
CAST STONE BENCH DETAILS
SCALE: 1" = 1'-0"

Revisions:	Date:

CONSULTANTS:



ARCHITECT/ENGINEERS:

FOURFRONT DESIGN INC.

517 7th street
 rapid city sd 57701
 p 605.342.9470
 f 605.342.2377
 www.4front.biz

Drawing Title
SECTIONS AND DETAILS: ENLARGEMENTS #3

Approved: Project Director

Project Title
Expand Columbarium A

Location
 Riverside National Cemetery,
 22495 Van Buren Blvd, Riverside CA 92518

Date
 May 26, 2016

Checked
 EH

Drawn
 EH/JH/AW

Project Number
 901CM3040

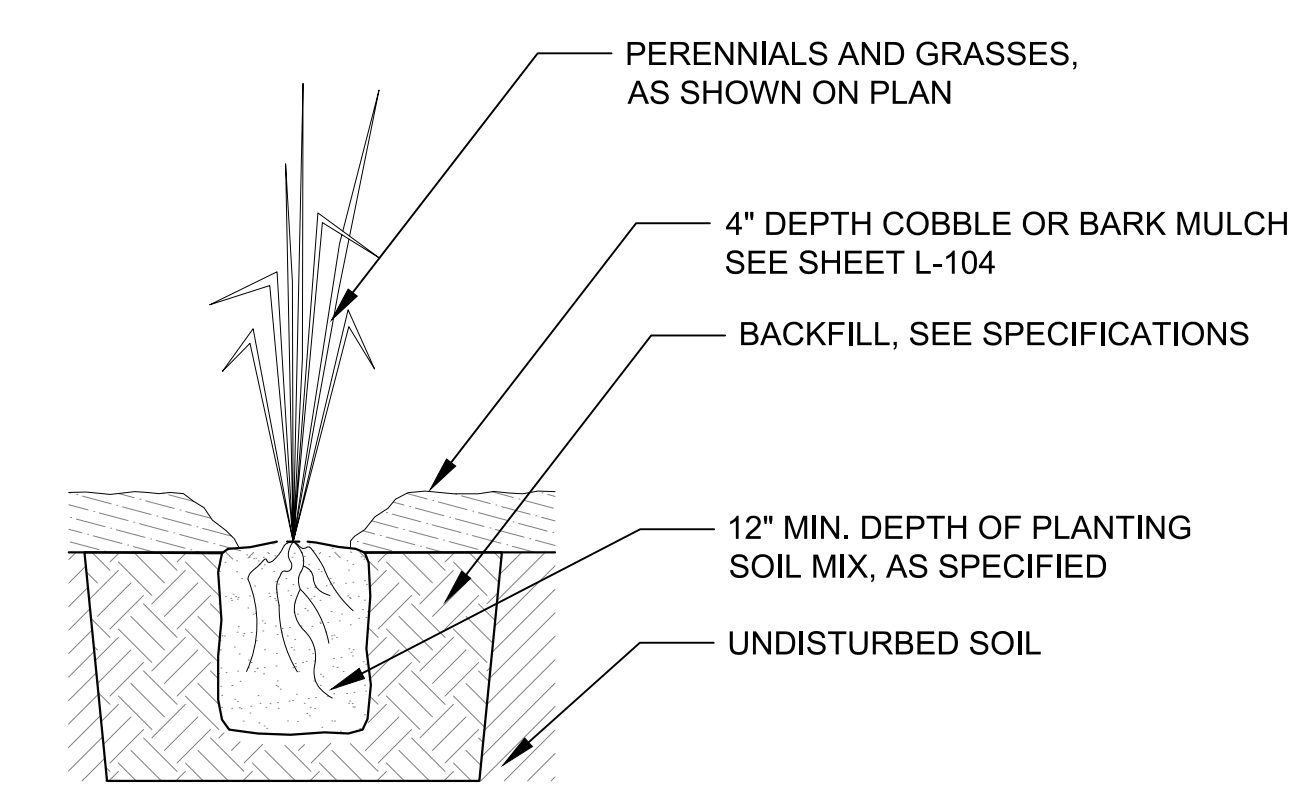
Building Number

Drawing Number
L-506

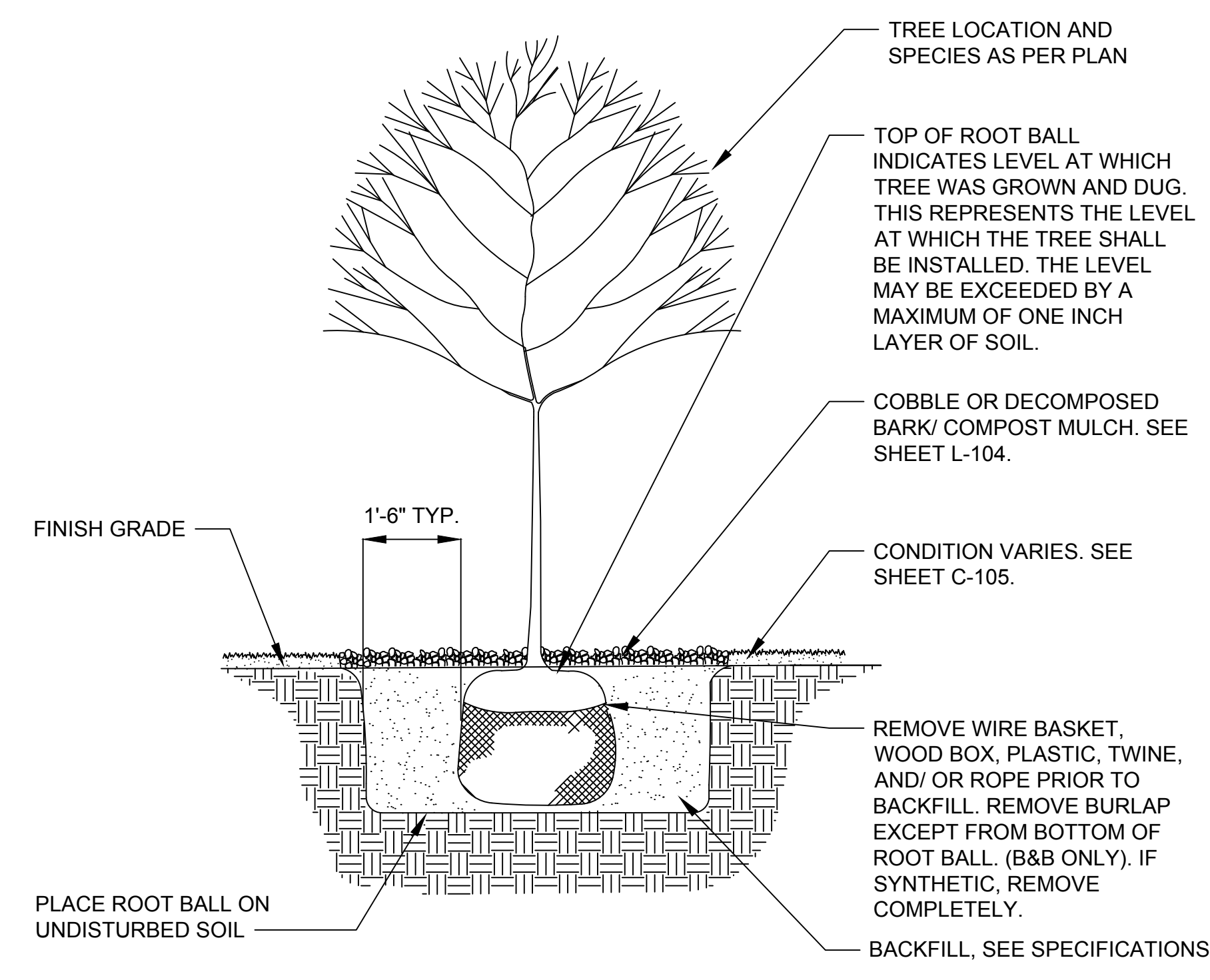
Dwg. 30 of 47



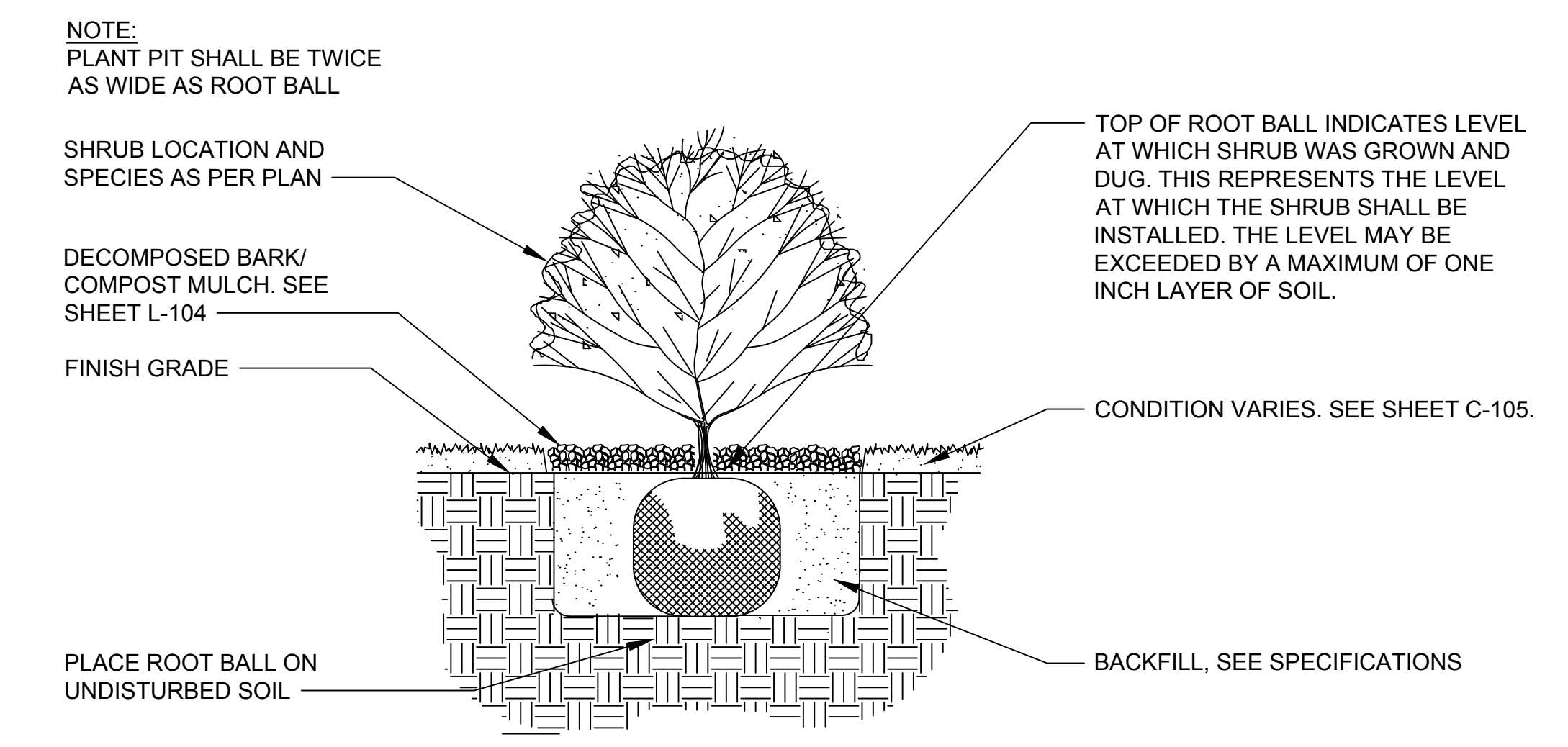
three inches = one foot
one and one half inches = one foot
one inch = one foot
three quarters inch = one foot
one half inch = one foot
three eighths inch = one foot
one quarter inch = one foot
one eighth inch = one foot



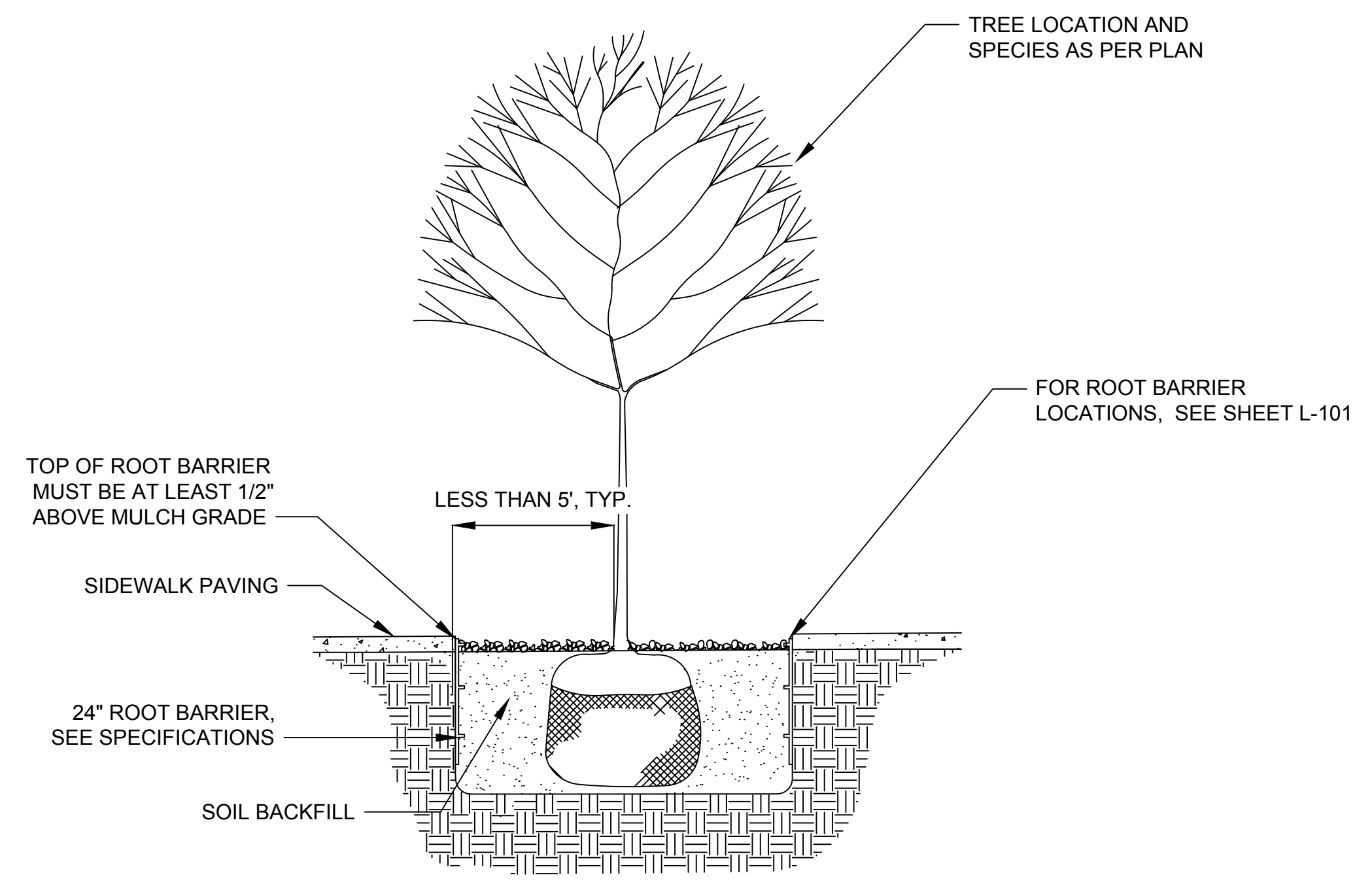
C1 PERENNIAL/GRASS PLANTING DETAIL
1\"/>



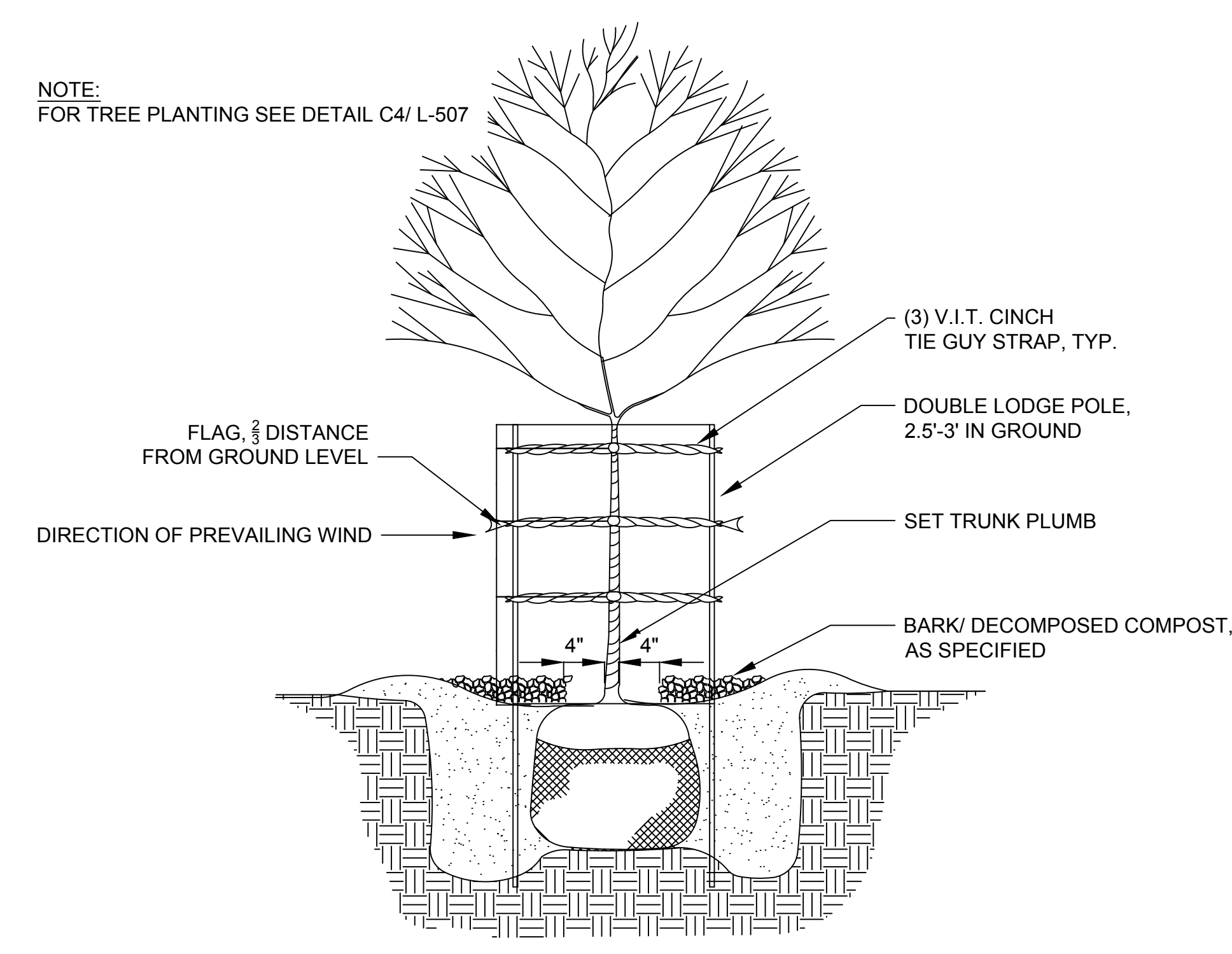
C4 TREE PLANTING DETAIL
1/2\"/>



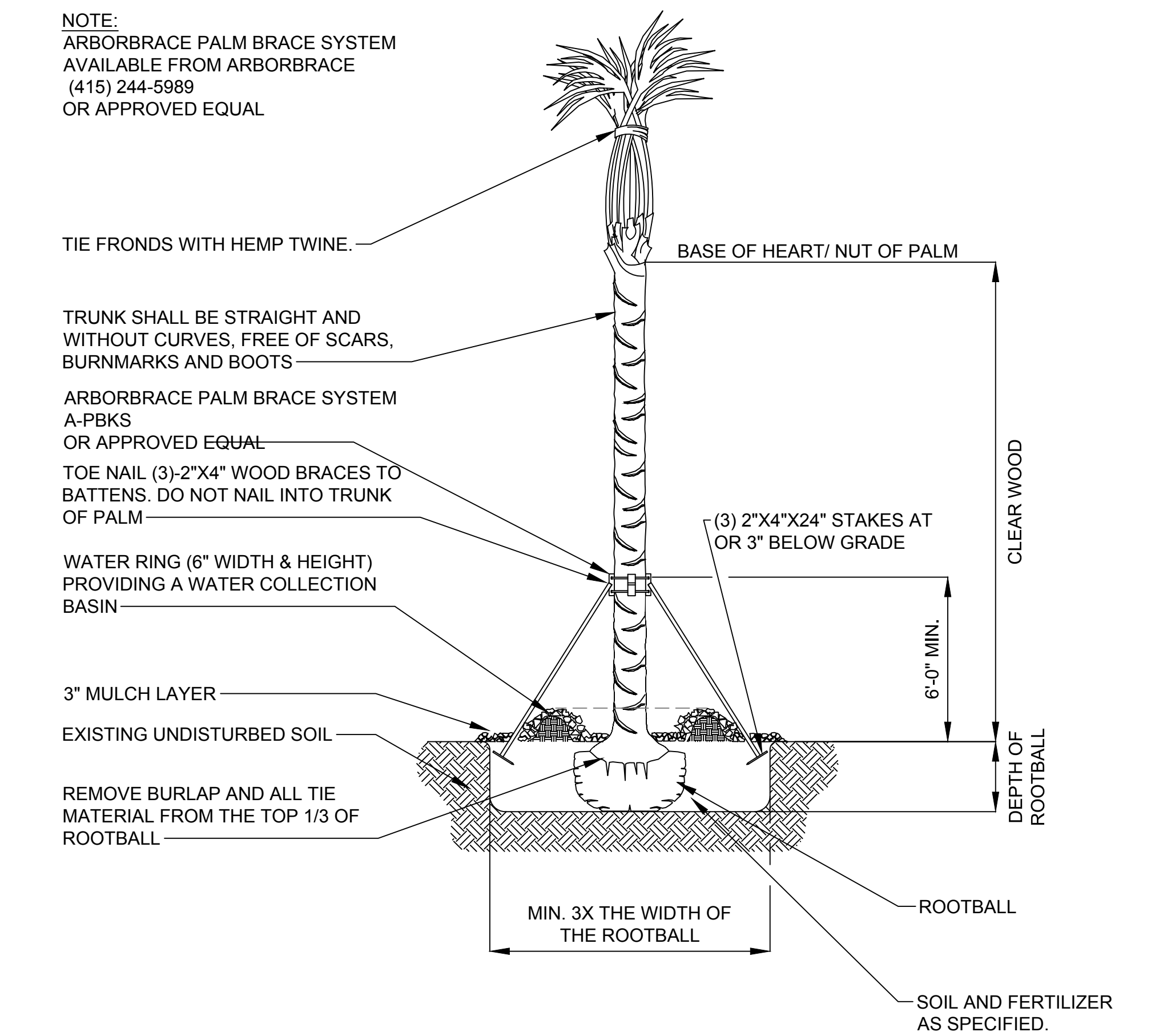
C7 SHRUB PLANTING DETAIL
1/2\"/>



F1 LINEAR ROOT BARRIER DETAIL
1/2\"/>



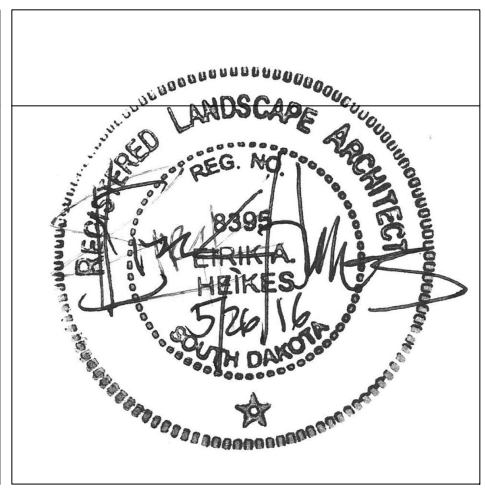
F4 TREE STAKING DETAIL
1/2\"/>



F7 PALM PLANTING AND STAKING
1/4\"/>

CONSULTANTS:

ARCHITECT/ENGINEERS:



517 7th street
rapid city sd 57701
p 605.342.9470
f 605.342.2377
www.4front.biz
FOURFRONT
DESIGN INC.

Drawing Title PLANTING DETAILS	Project Title Expand Columbarium A		Project Number 901CM3040
	Location Riverside National Cemetery, 22495 Van Buren Blvd, Riverside CA 92518		Building Number
Approved: Project Director	Date May 26, 2016	Checked EH	Drawn EH/JH/AW
Drawing Number L-507			Dwg. 31 of 47

NCA DESIGN AND CONSTRUCTION SERVICE

