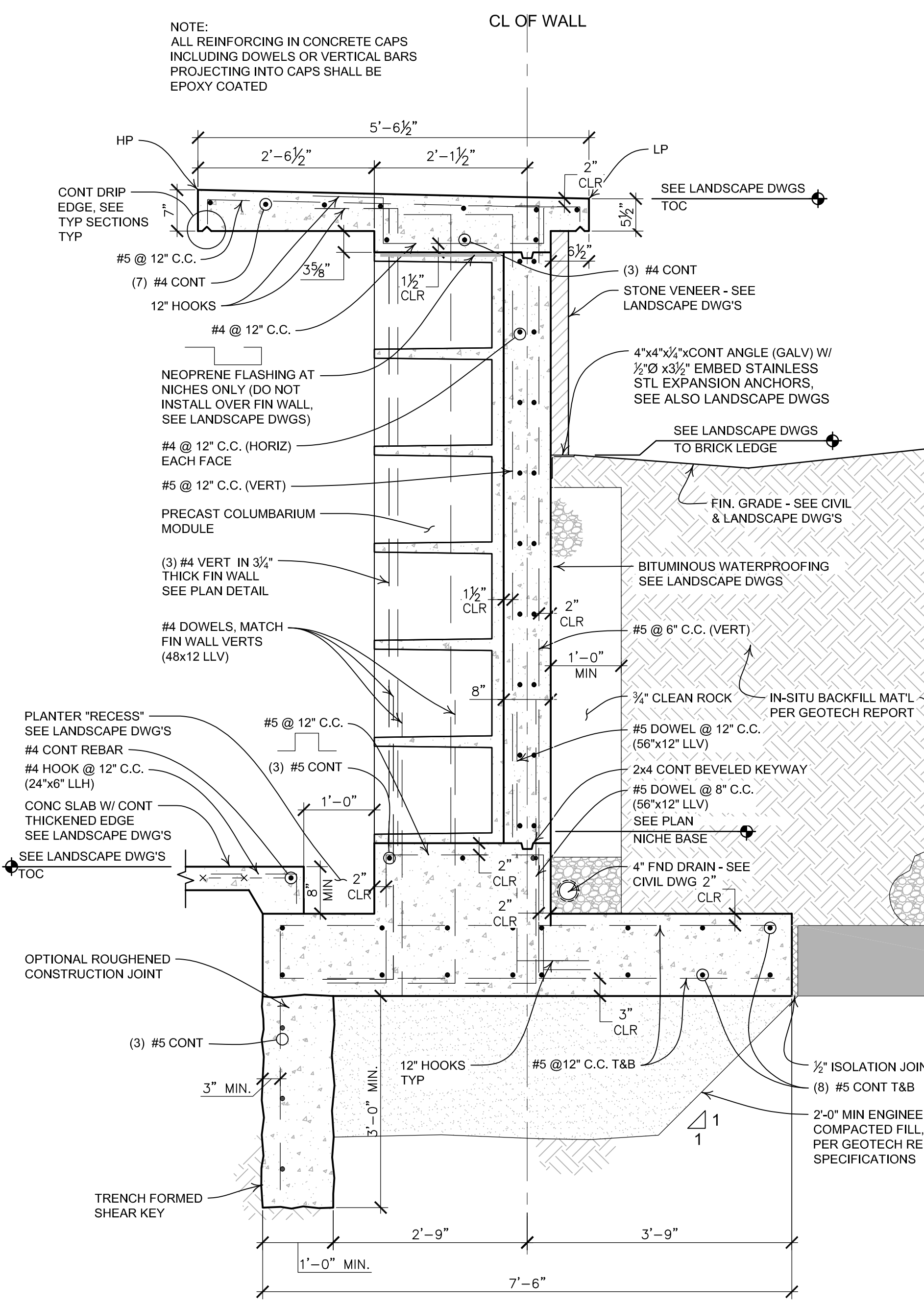
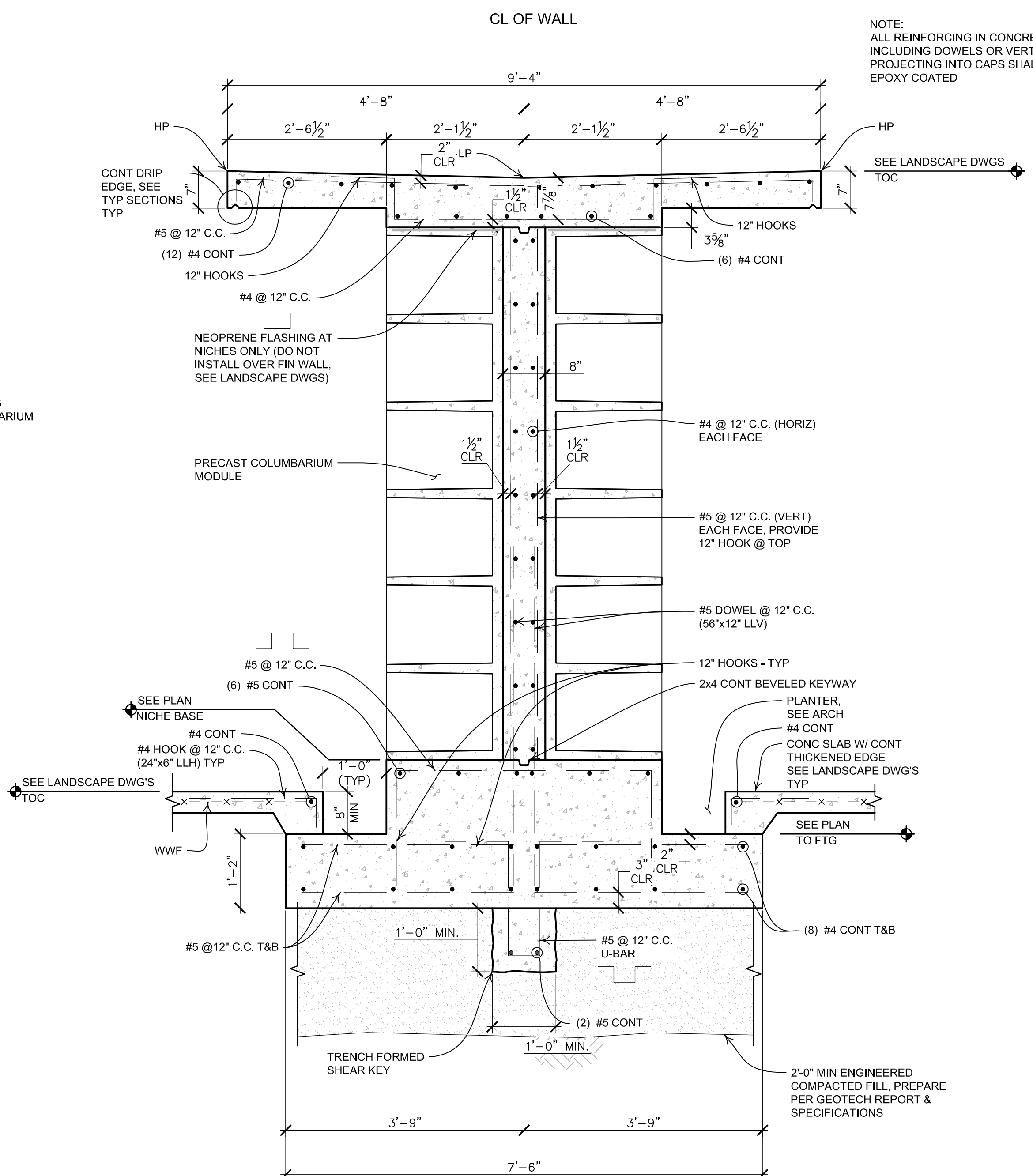


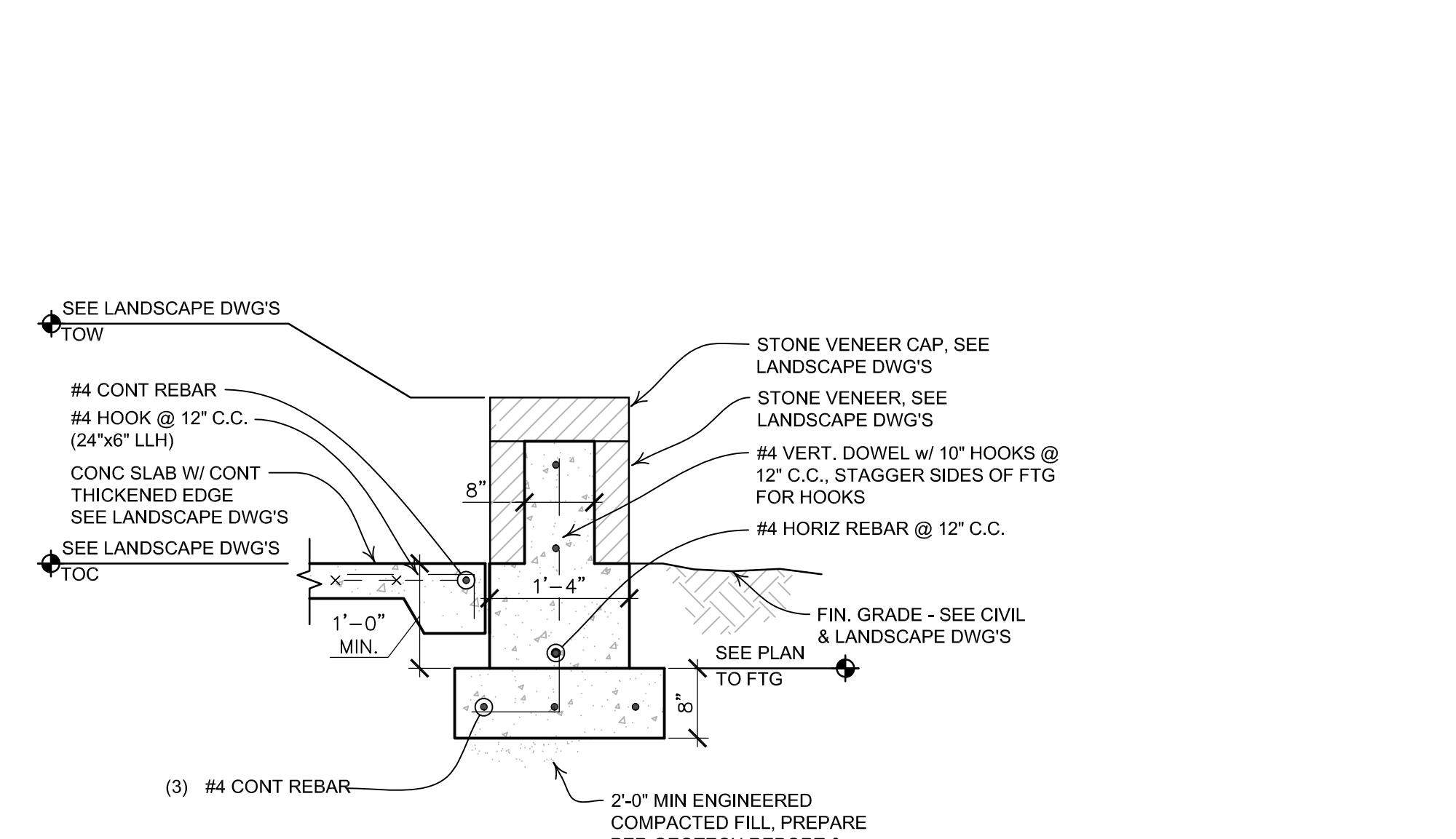
D1 WALL SECTION
SCALE: 3/4" = 1'-0"



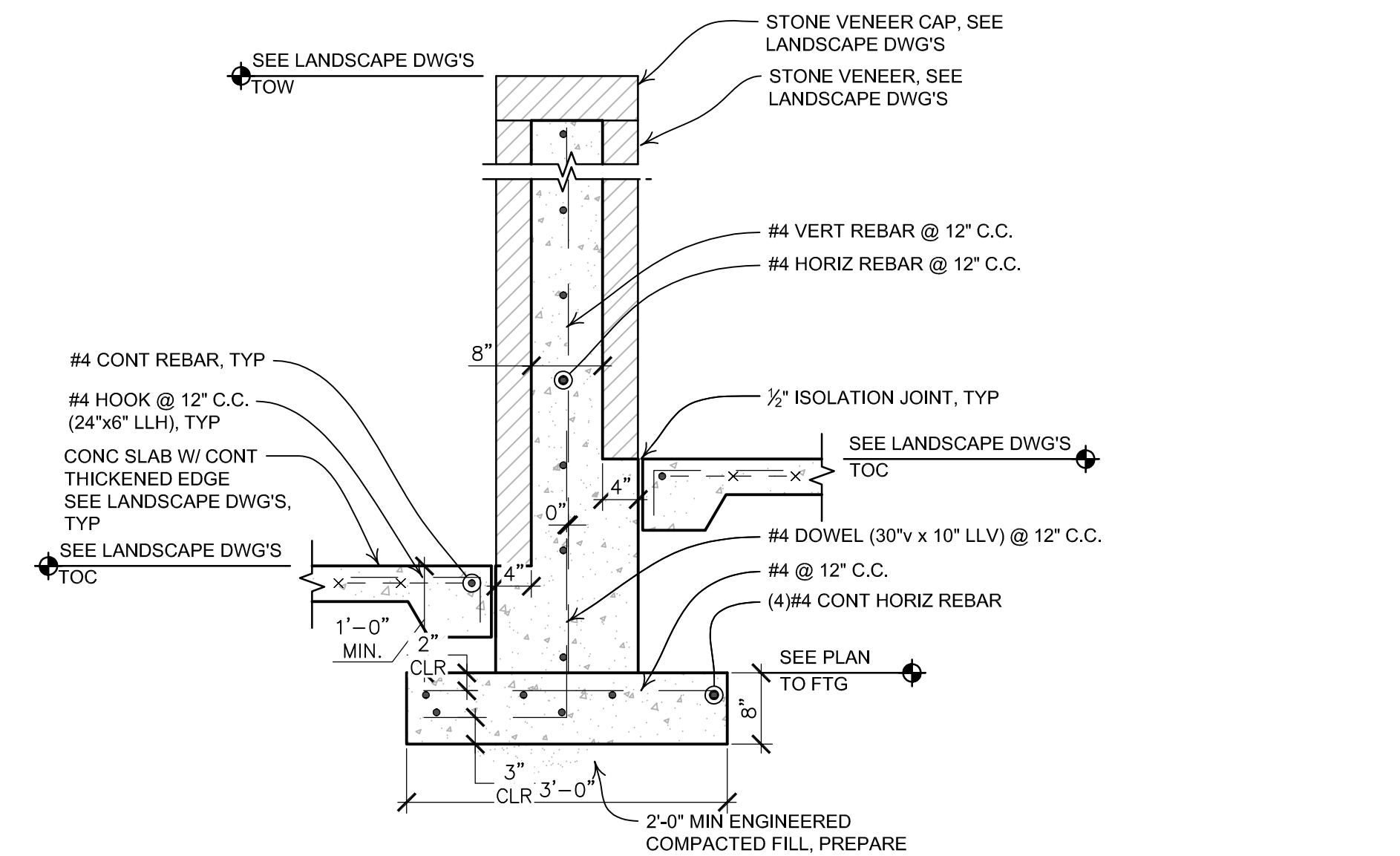
D3 WALL SECTION
SCALE: 3/4" = 1'-0"



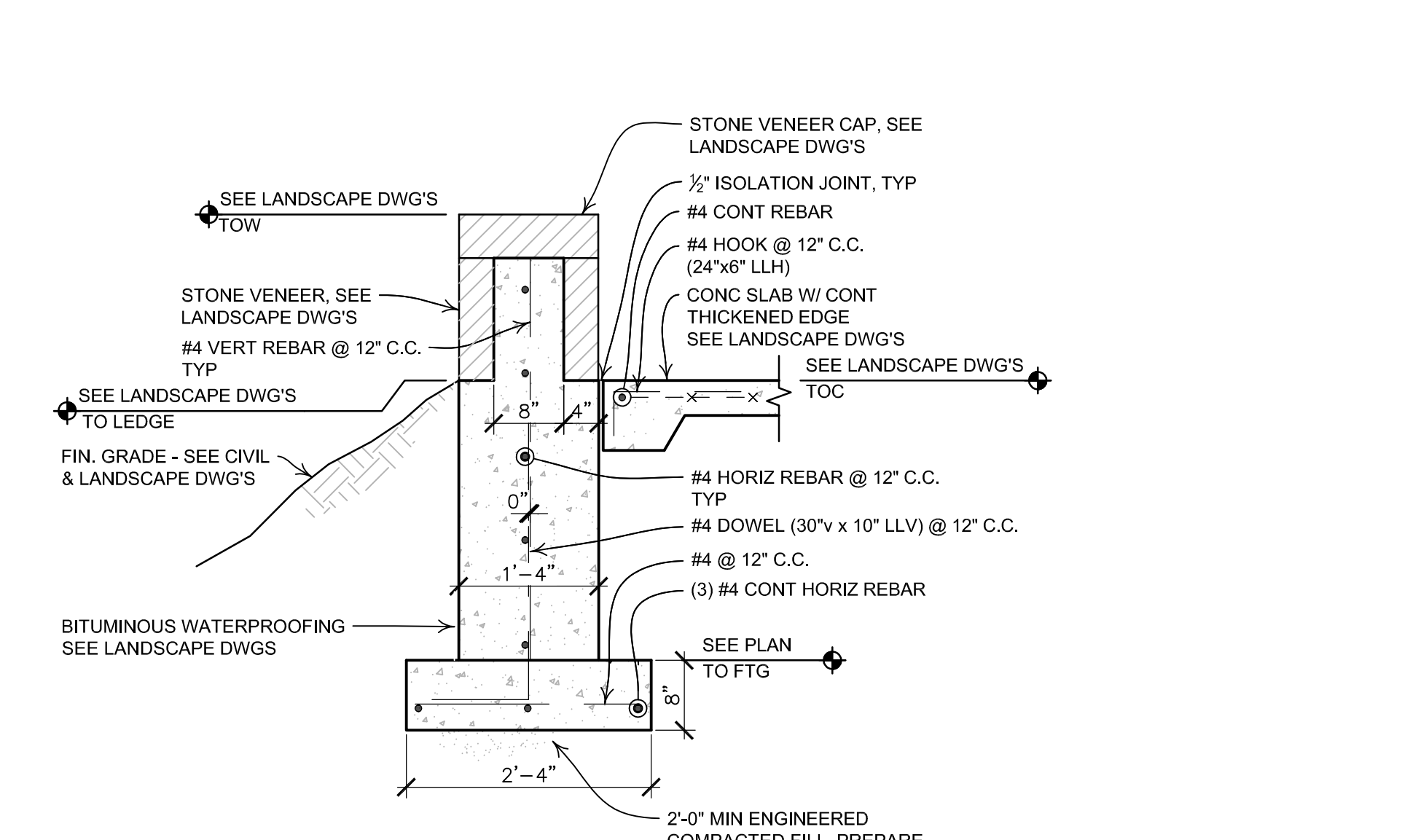
D7 WALL SECTION
SCALE: 3/4" = 1'-0"



F1 WALL SECTION
SCALE: 3/4" = 1'-0"



F3 WALL SECTION
SCALE: 3/4" = 1'-0"



F5 WALL SECTION
SCALE: 3/4" = 1'-0"

Revisions	Date

CONSULTANTS:

Albertson Engineering Inc.

3202 W. MAIN, SUITE C
RAPID CITY, SOUTH DAKOTA 57702
605.343.9606



ARCHITECT/ENGINEERS:

FOURFRONT DESIGN INC.

517 Seventh Street
Rapid City, SD 57701
(605) 342-9470
(605) 348-0571 (fax)

Drawing Title
STRUCTURAL SECTIONS #1

Approved: Project Director

Project Title
Expand Columbarium A

Location
22495 Van Buren Blvd, Riverside National Cemetery, Riverside CA 92518

Date
March 28, 2016

Checked
DEL

Drawn
CA

Project Number
901CM3040

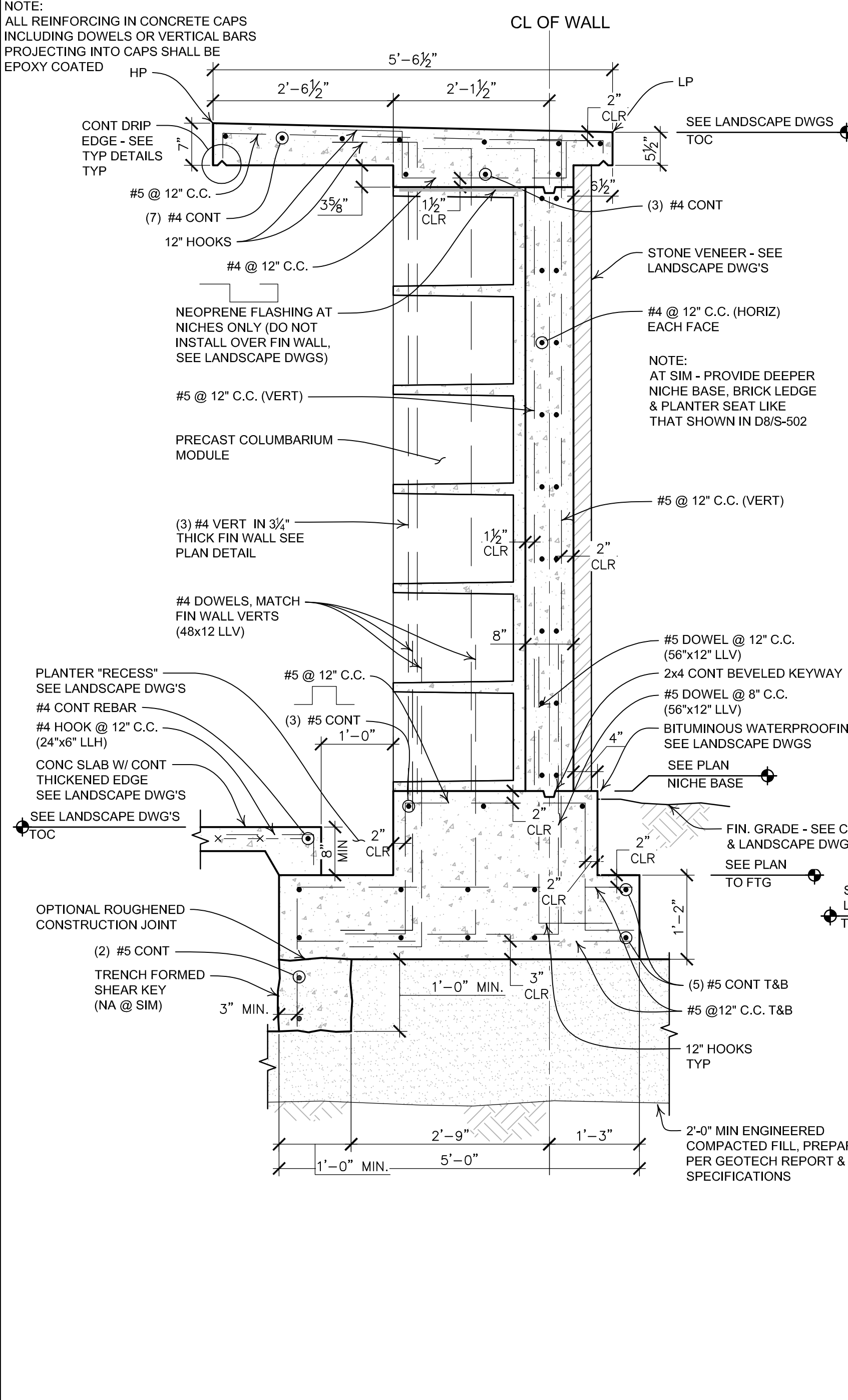
Building Numbers

Drawing Number
S-501

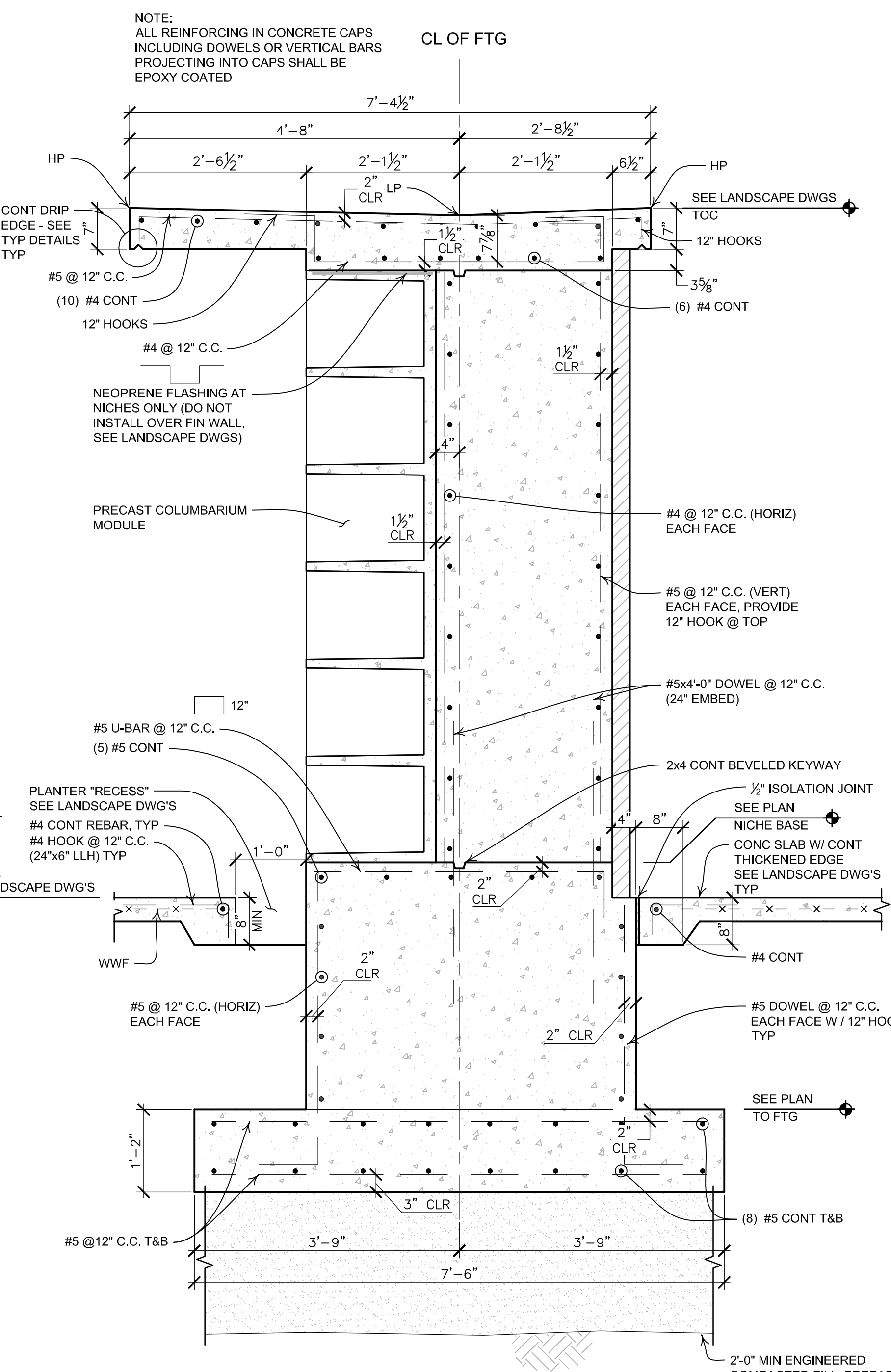
Dwg
36 of 47

NCA DESIGN AND CONSTRUCTION SERVICE

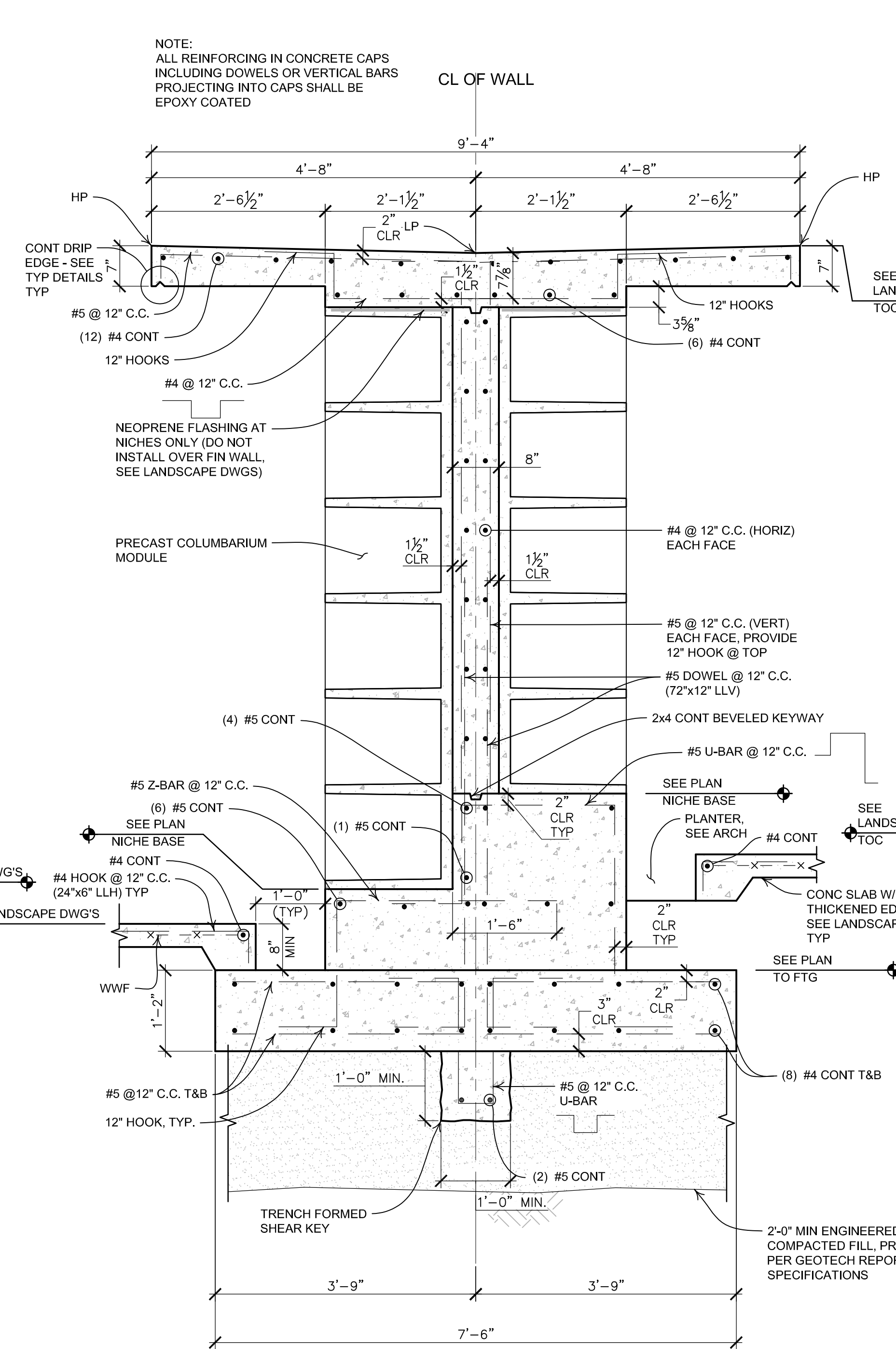
Department of Veterans Affairs



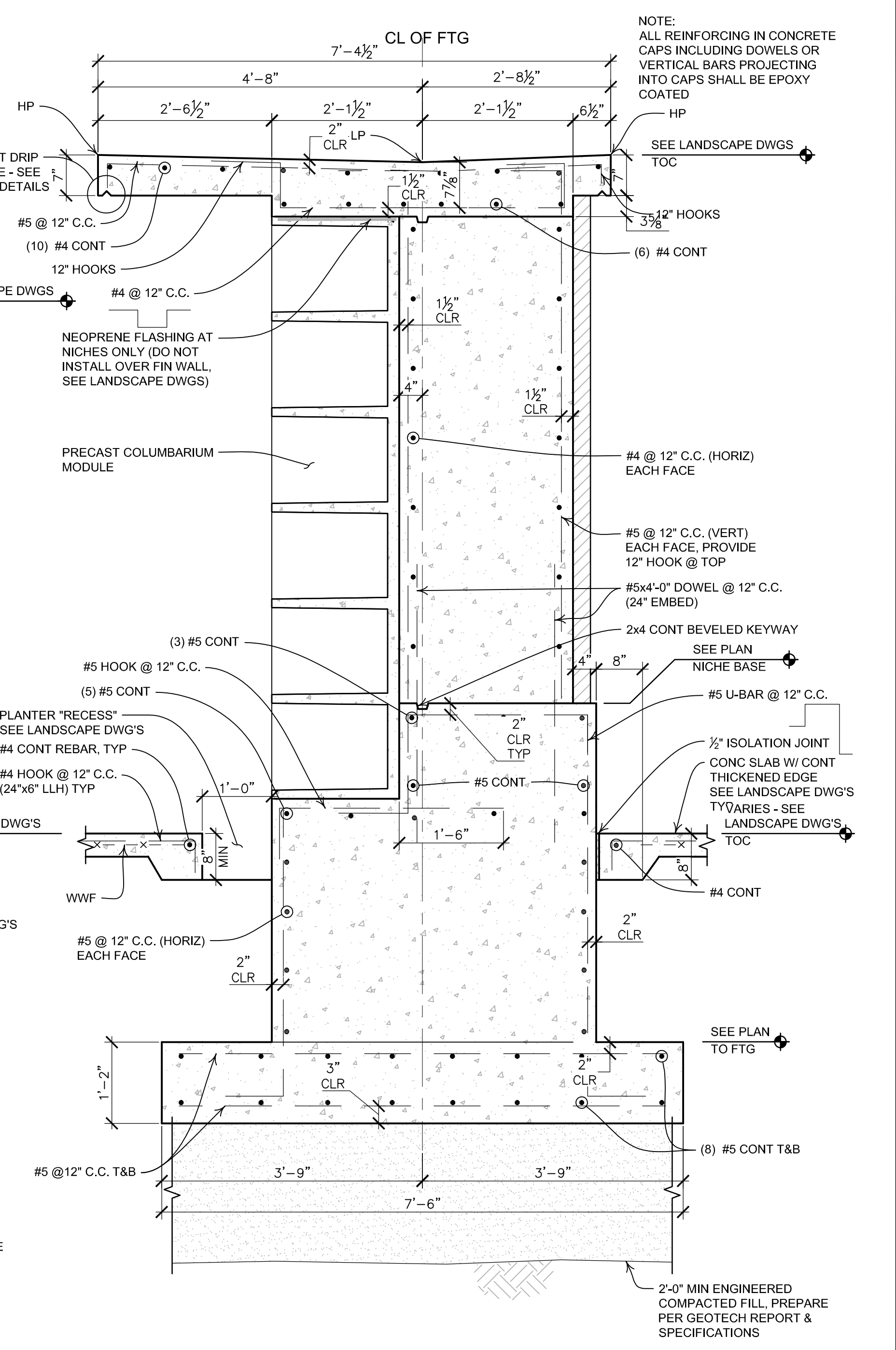
C1 WALL SECTION
S-502 SCALE: 3/4" = 1'-0"



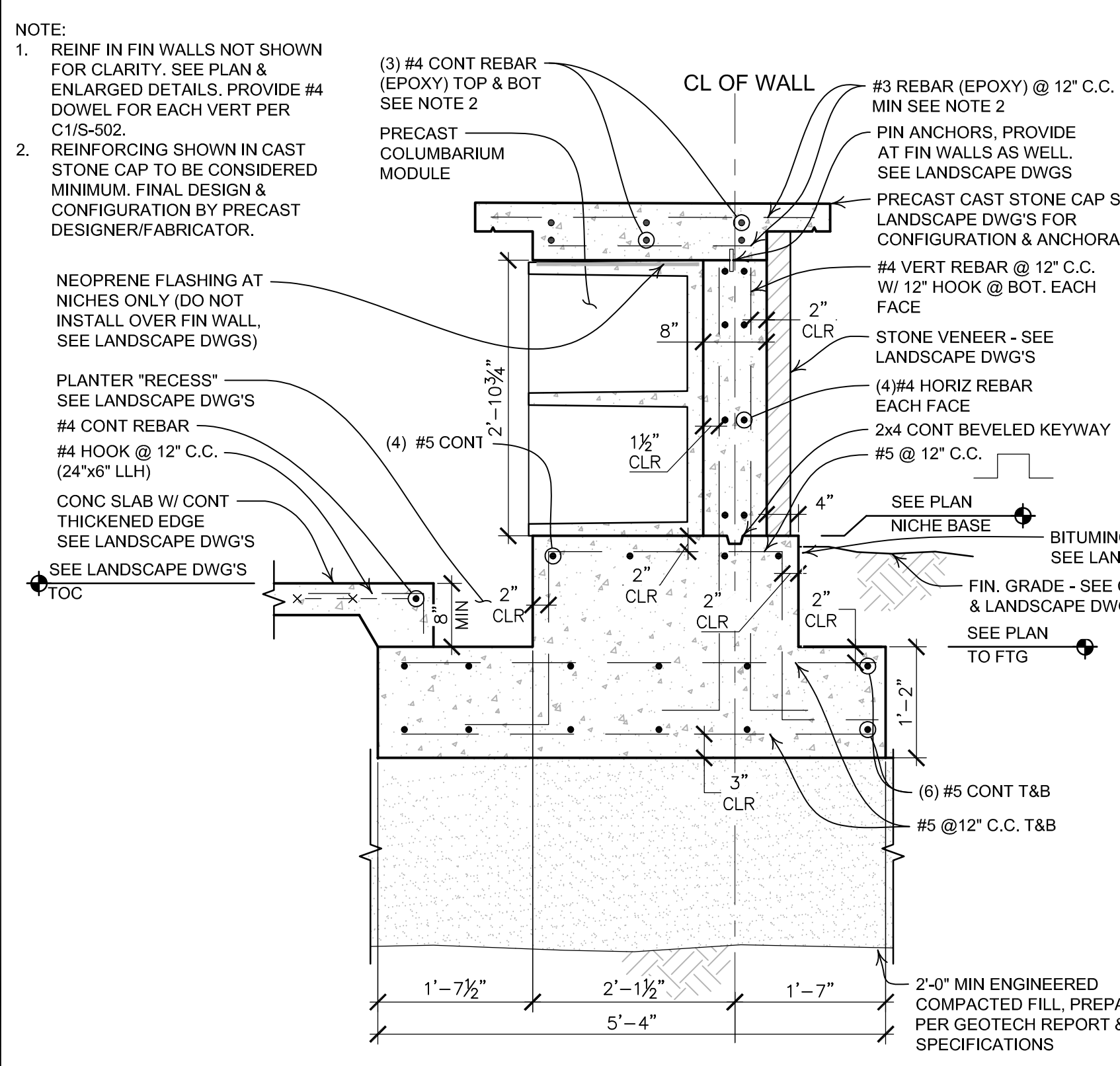
D4 WALL SECTION
S-502 SCALE: 3/4" = 1'-0"



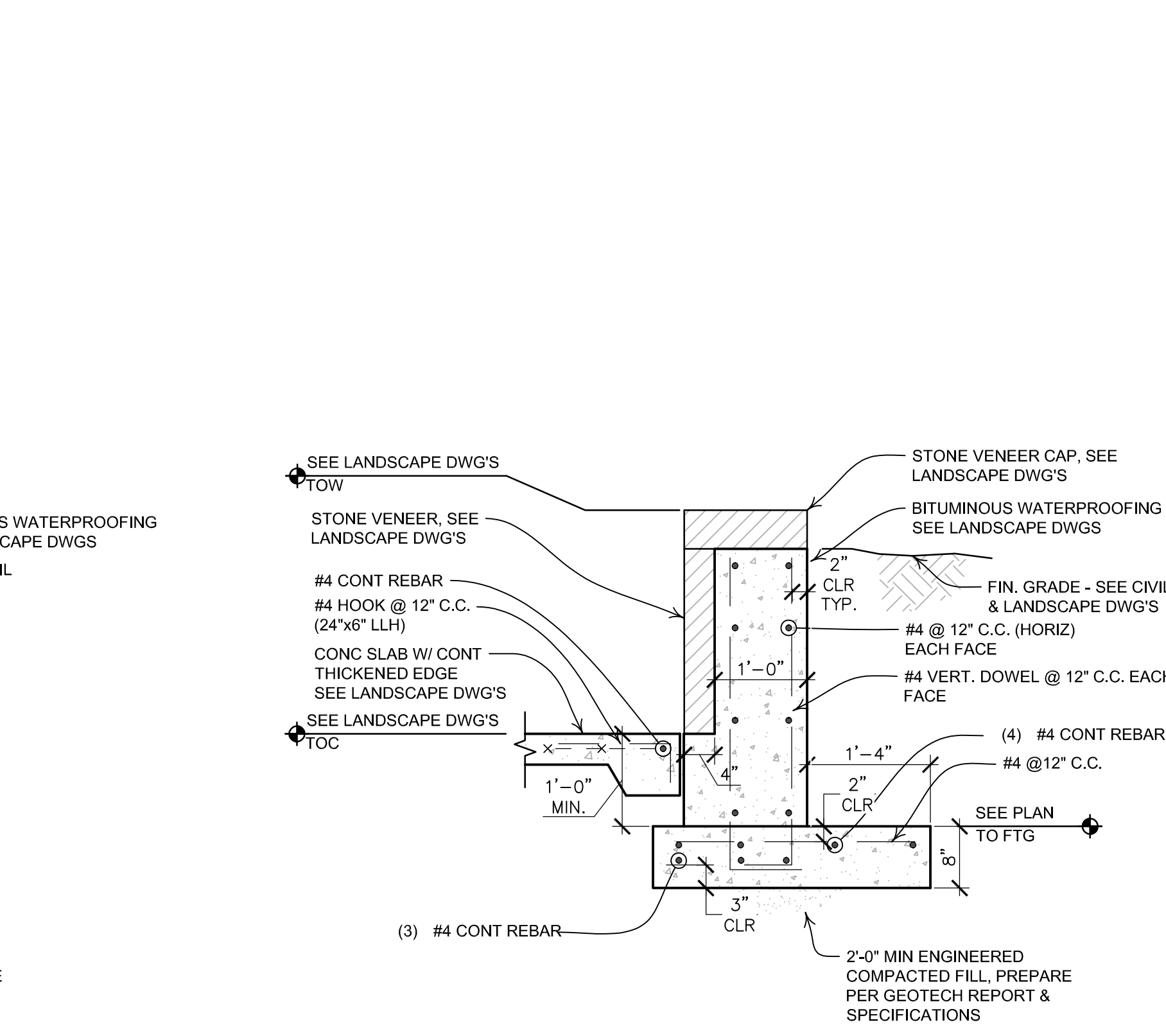
D5 WALL SECTION
S-502 SCALE: 3/4" = 1'-0"



D8 WALL SECTION
S-502 SCALE: 3/4" = 1'-0"



F1 WALL SECTION
S-502 SCALE: 3/4" = 1'-0"



F3 WALL SECTION
S-502 SCALE: 3/4" = 1'-0"

Revisions	Date

CONSULTANTS:

 3202 W. MAIN, SUITE C
 RAPID CITY, SOUTH DAKOTA 57702
 605.343.9606
Albertson Engineering Inc.

ARCHITECT/ENGINEERS:

 517 Seventh Street
 Rapid City, SD 57701
 (605) 342-9470
 (605) 348-0571 (fax)

Drawing Title STRUCTURAL SECTIONS #2	Project Title Expand Columbarium A	Project Number 901CM3040	NCA DESIGN AND CONSTRUCTION SERVICE
Approved: Project Director	Location 22495 Van Buren Blvd, Riverside National Cemetery, Riverside CA 92518	Drawing Number S-502 Dwg 37 of 47	
Date March 28, 2016	Checked DEL	Drawn CA	Department of Veterans Affairs