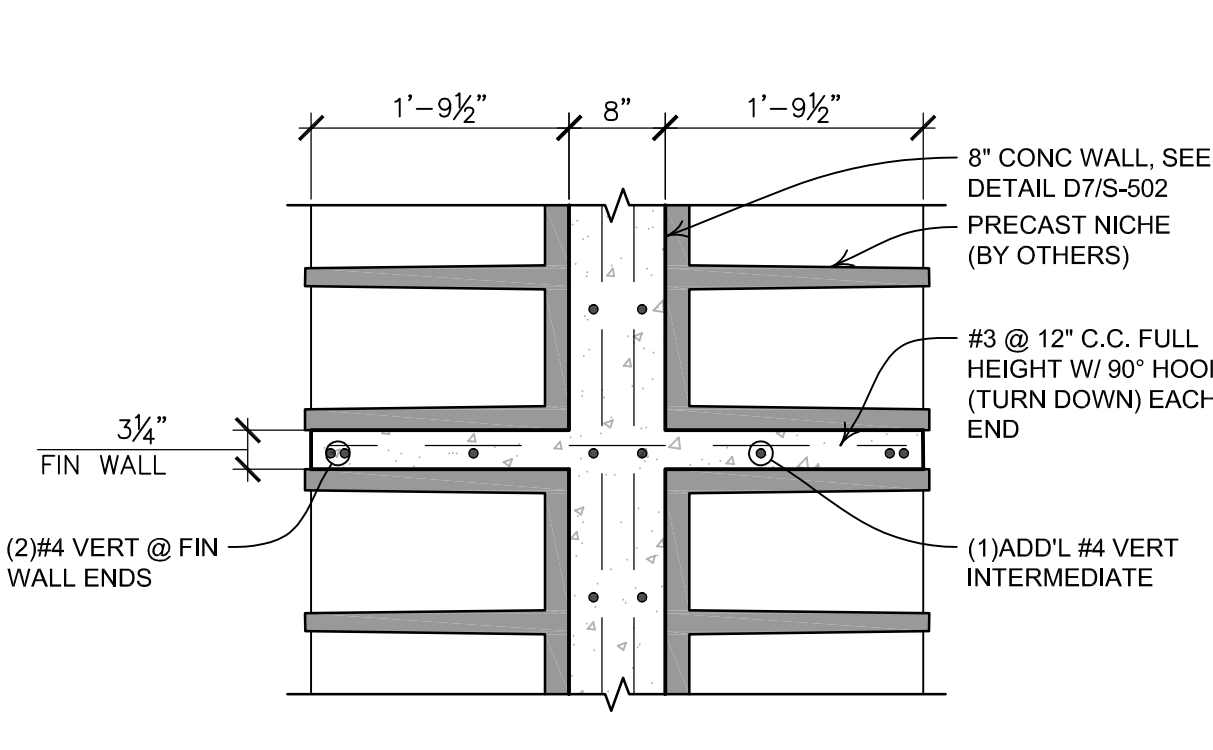
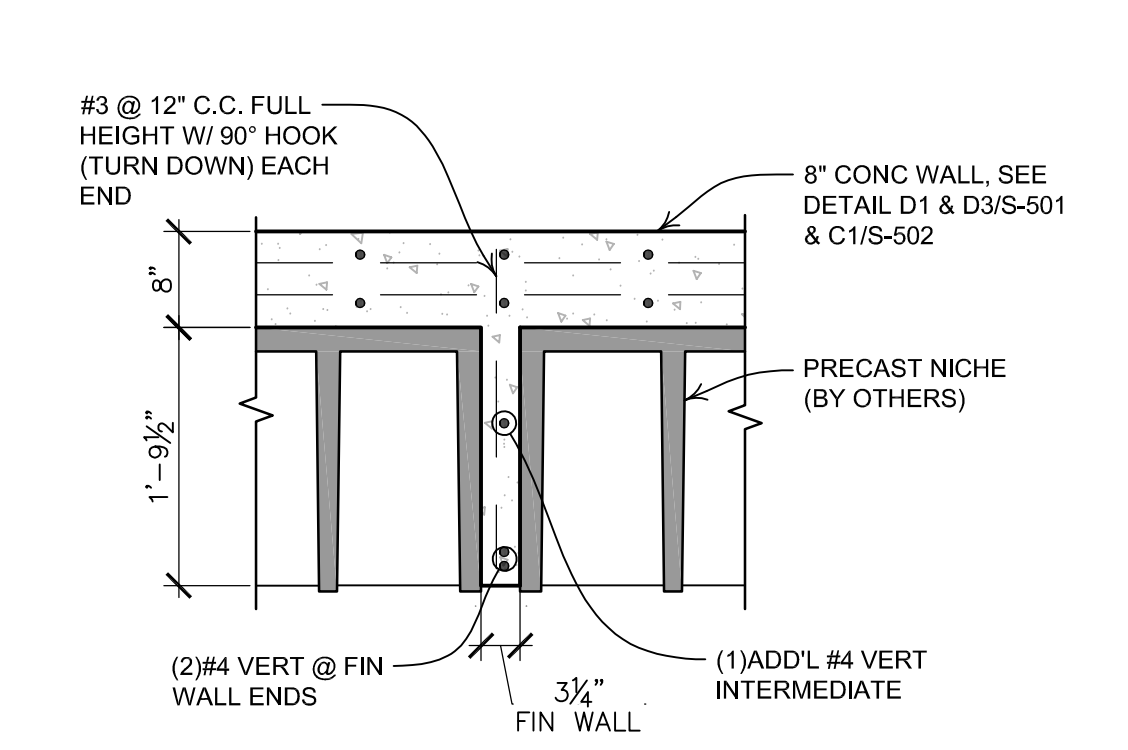


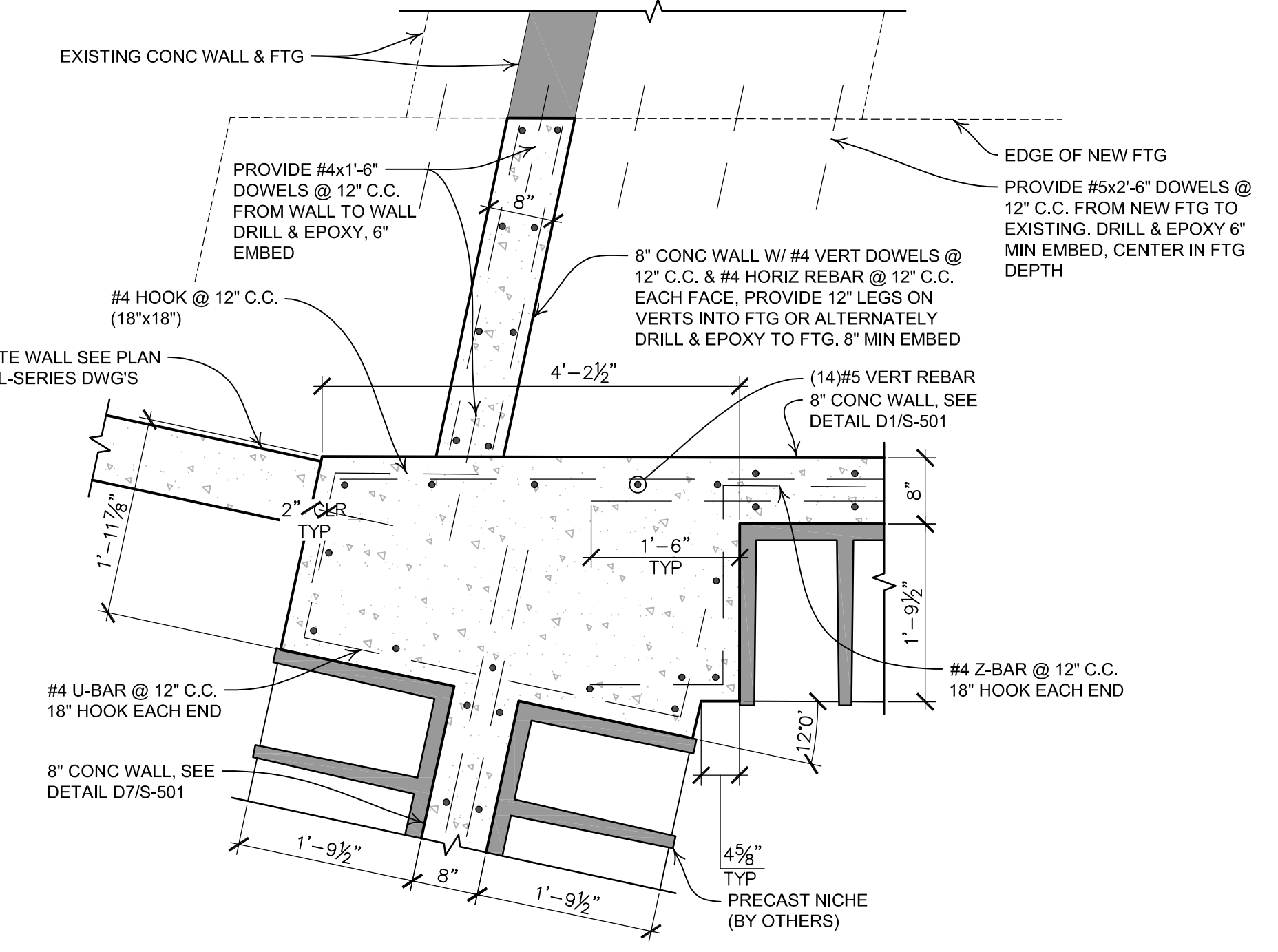
**B1**  
S-503 SCALE: 3/4" = 1'-0"



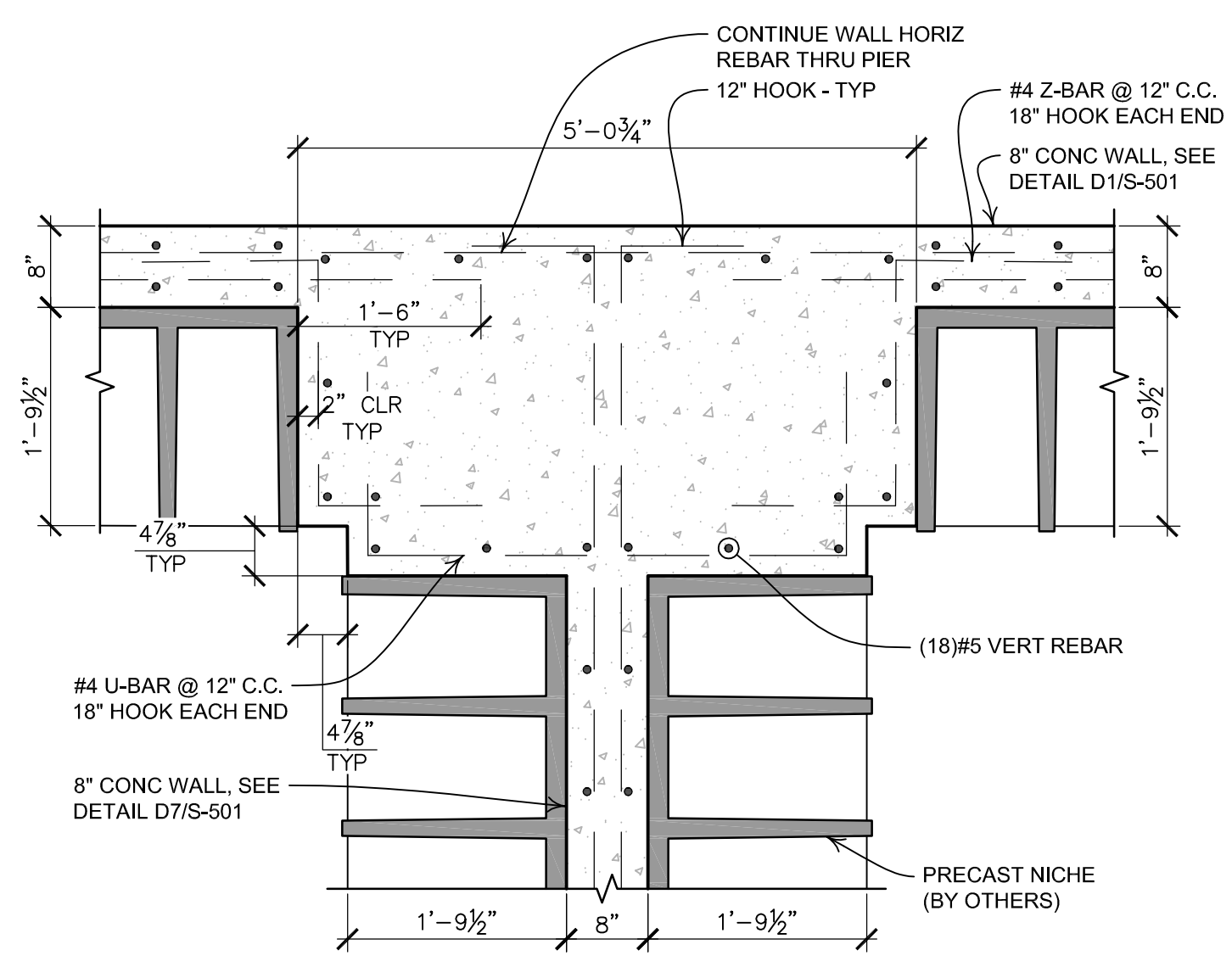
**B3**  
S-503 SCALE: 3/4" = 1'-0"



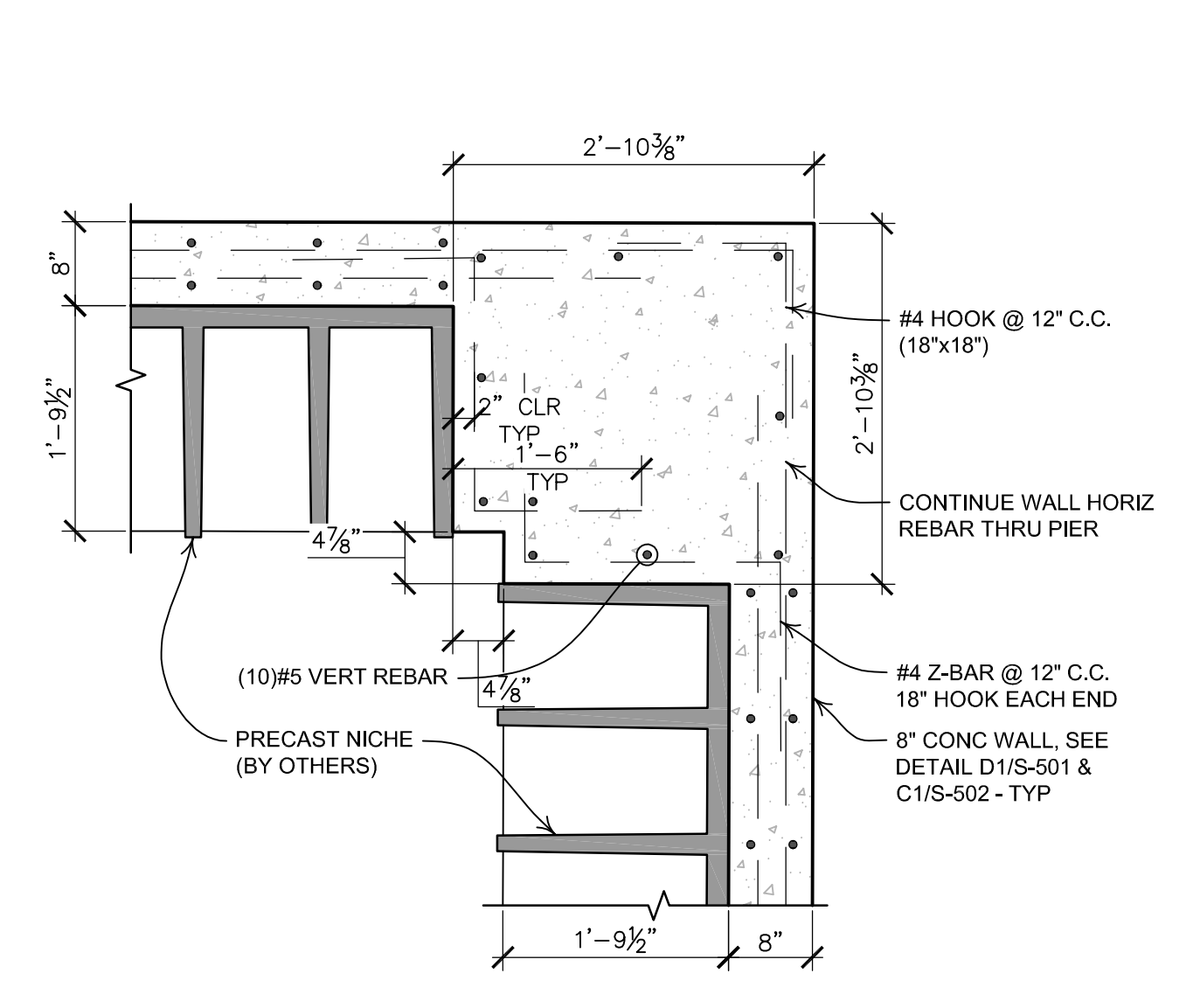
**B5**  
S-503 SCALE: 3/4" = 1'-0"



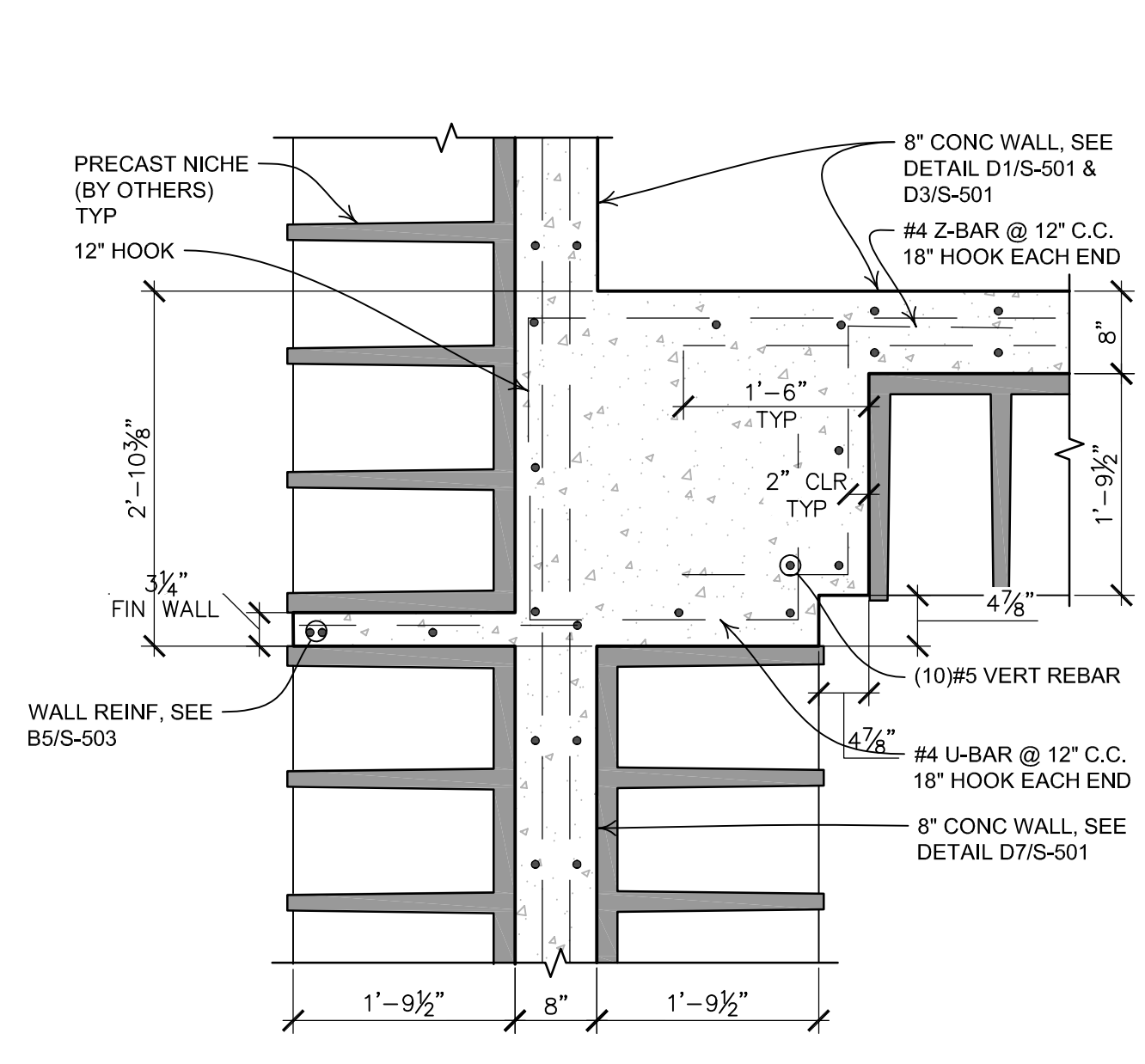
**B7**  
S-503 SCALE: 3/4" = 1'-0"



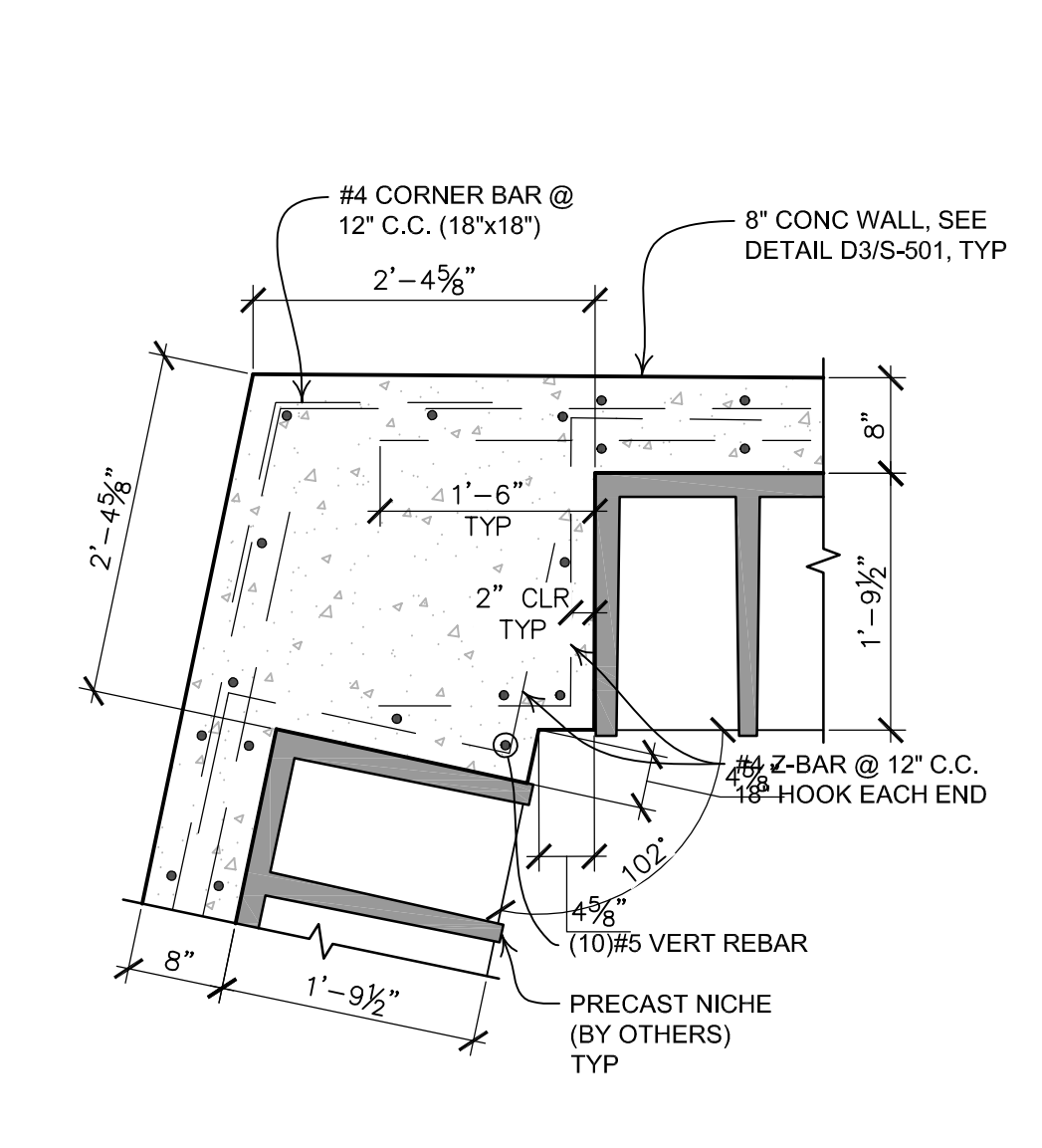
**D1**  
S-503 SCALE: 3/4" = 1'-0"



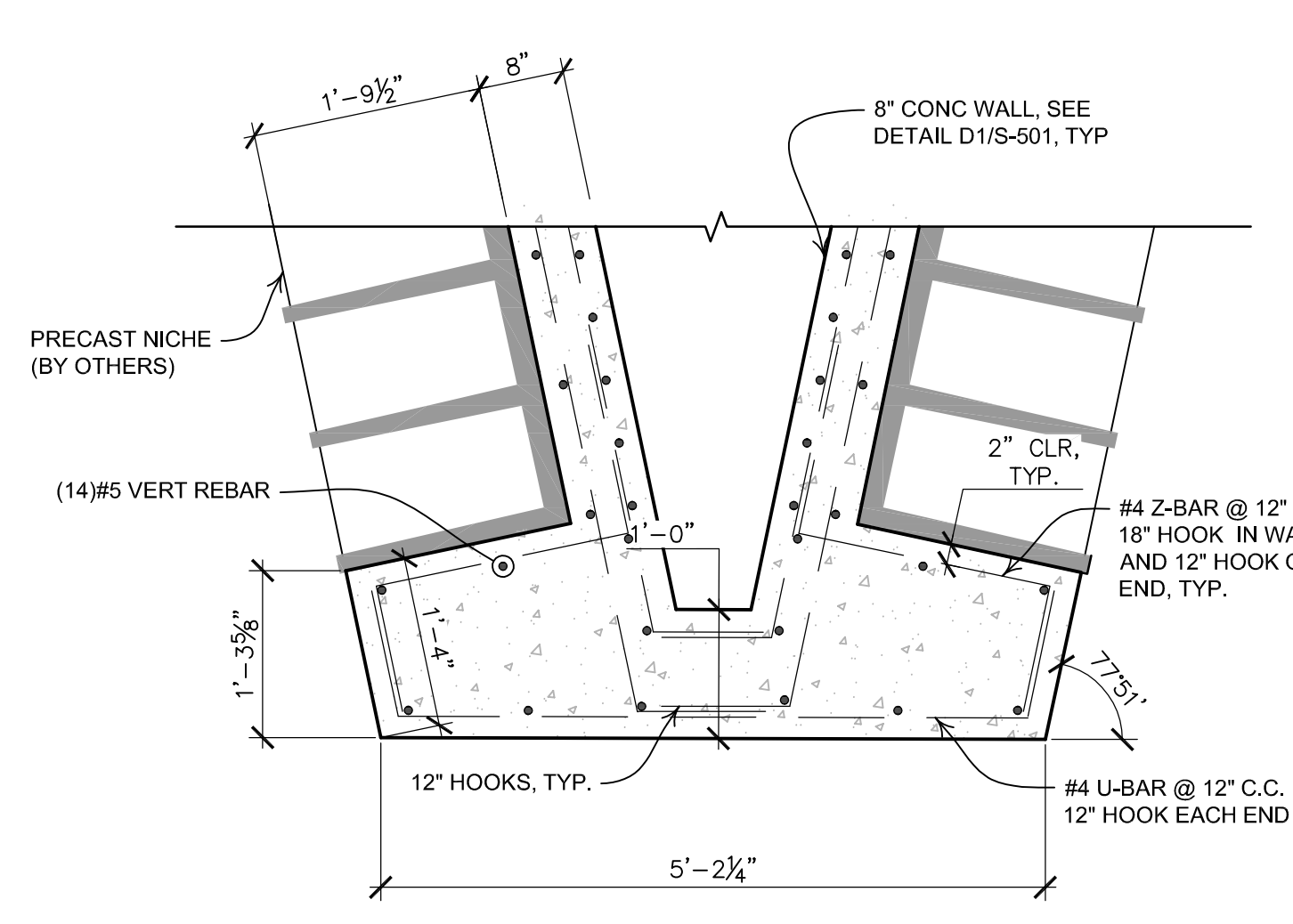
**D3**  
S-503 SCALE: 3/4" = 1'-0"



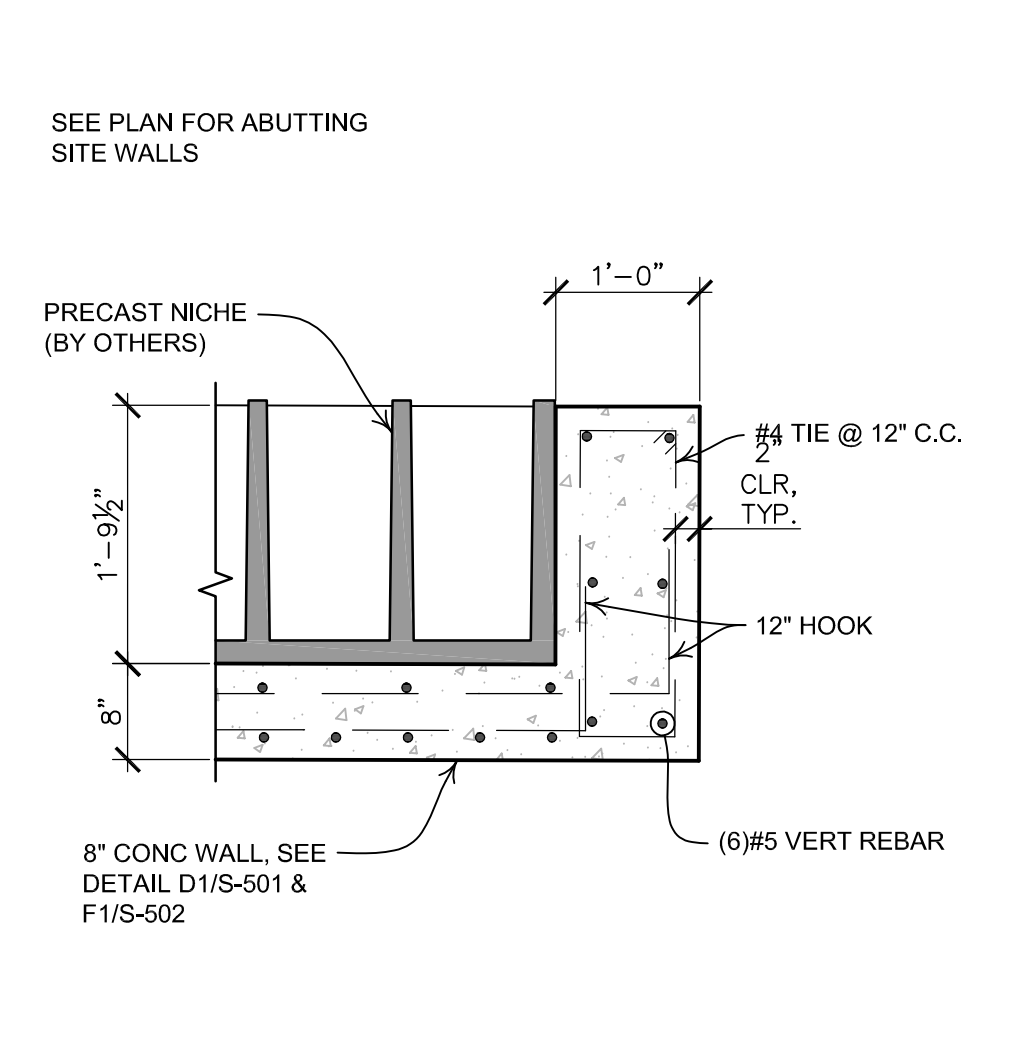
**D5**  
S-503 SCALE: 3/4" = 1'-0"



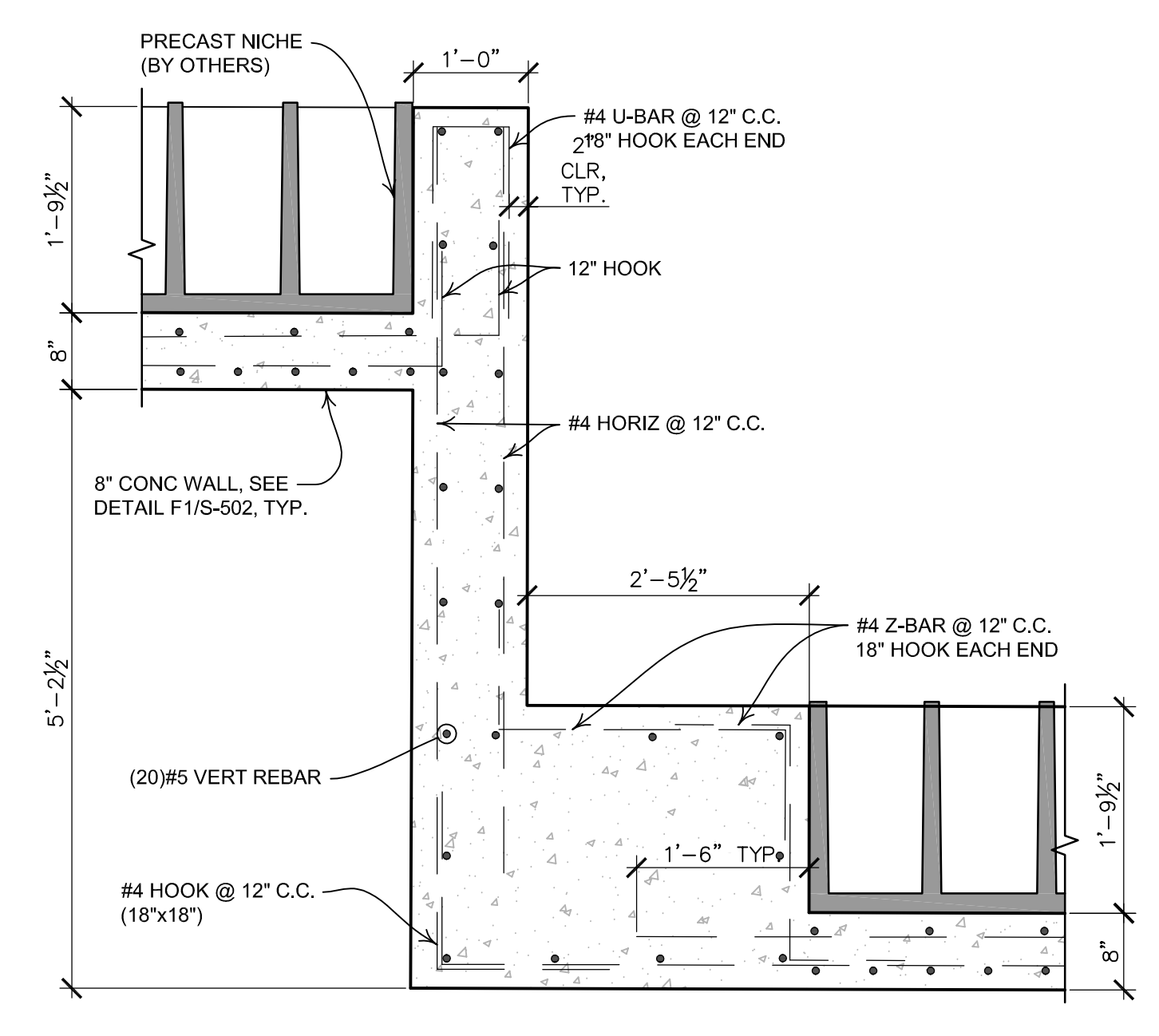
**D7**  
S-503 SCALE: 3/4" = 1'-0"



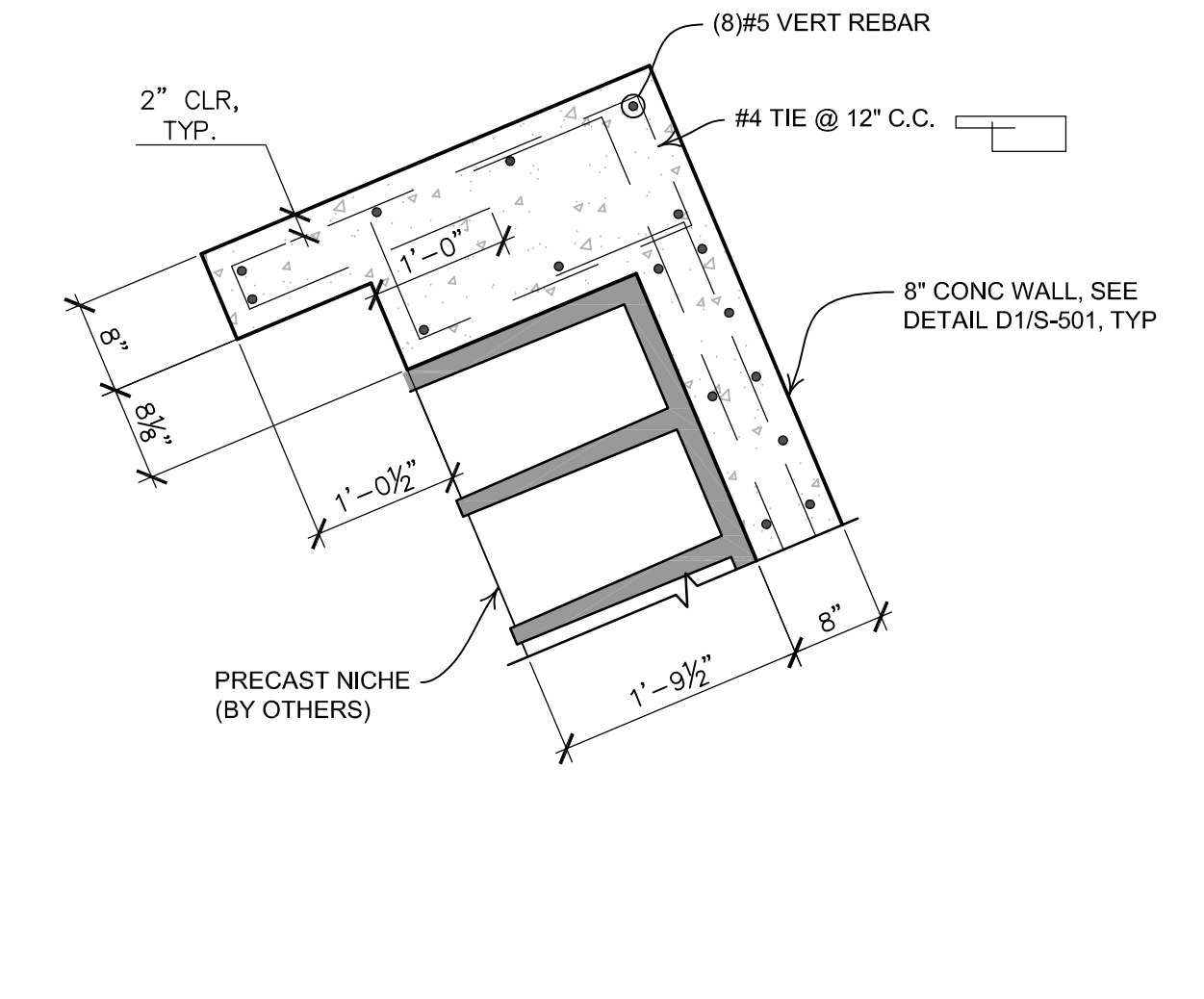
**F1**  
S-503 SCALE: 3/4" = 1'-0"



**F3**  
S-503 SCALE: 3/4" = 1'-0"



**F5**  
S-503 SCALE: 3/4" = 1'-0"



**F7**  
S-503 SCALE: 3/4" = 1'-0"

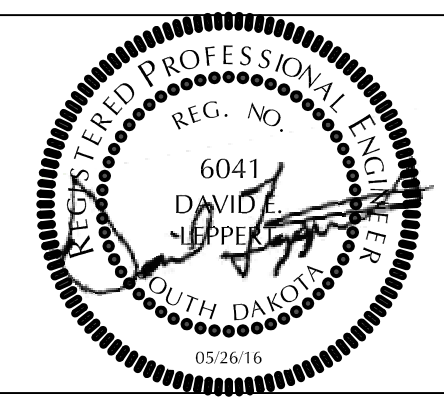
**CONSULTANTS:**

3202 W. MAIN, SUITE C  
RAPID CITY, SOUTH DAKOTA 57702  
605.343.9606

**Albertson Engineering Inc.**

**ARCHITECT/ENGINEERS:**

517 Seventh Street  
Rapid City, SD 57701  
(605) 342-9470  
(605) 348-0571 (fax)



**Drawing Title**

STRUCTURAL DETAILS #1

Approved: Project Director

**Project Title**

Expand Columbarium A

Location 22495 Van Buren Blvd, Riverside National Cemetery, Riverside CA 92518

Date March 28, 2016

Checked DEL

Drawn CA

**Project Number**

901CM3040

Building Numbers

Dwg 38 of 47

**NCA DESIGN AND CONSTRUCTION SERVICE**

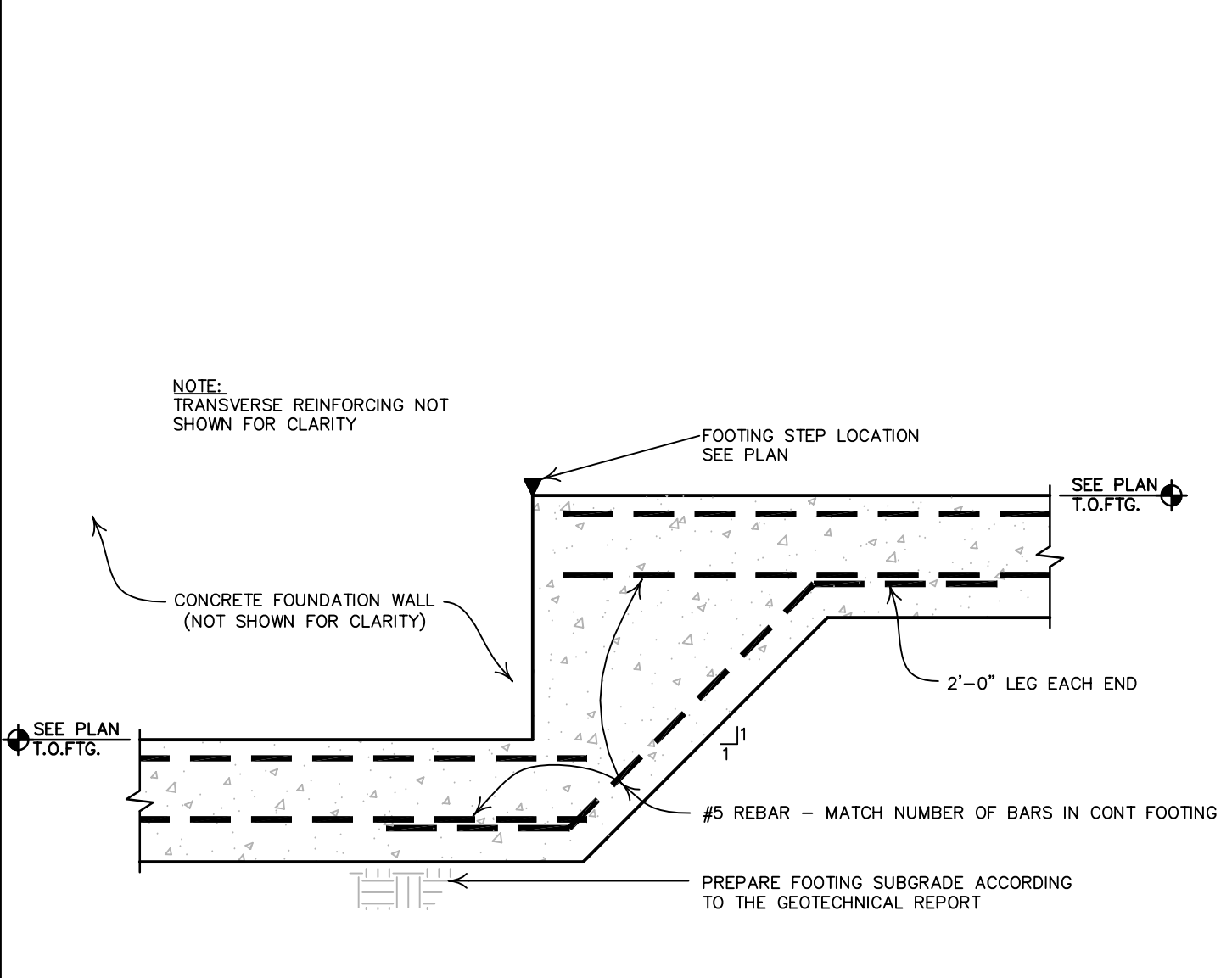




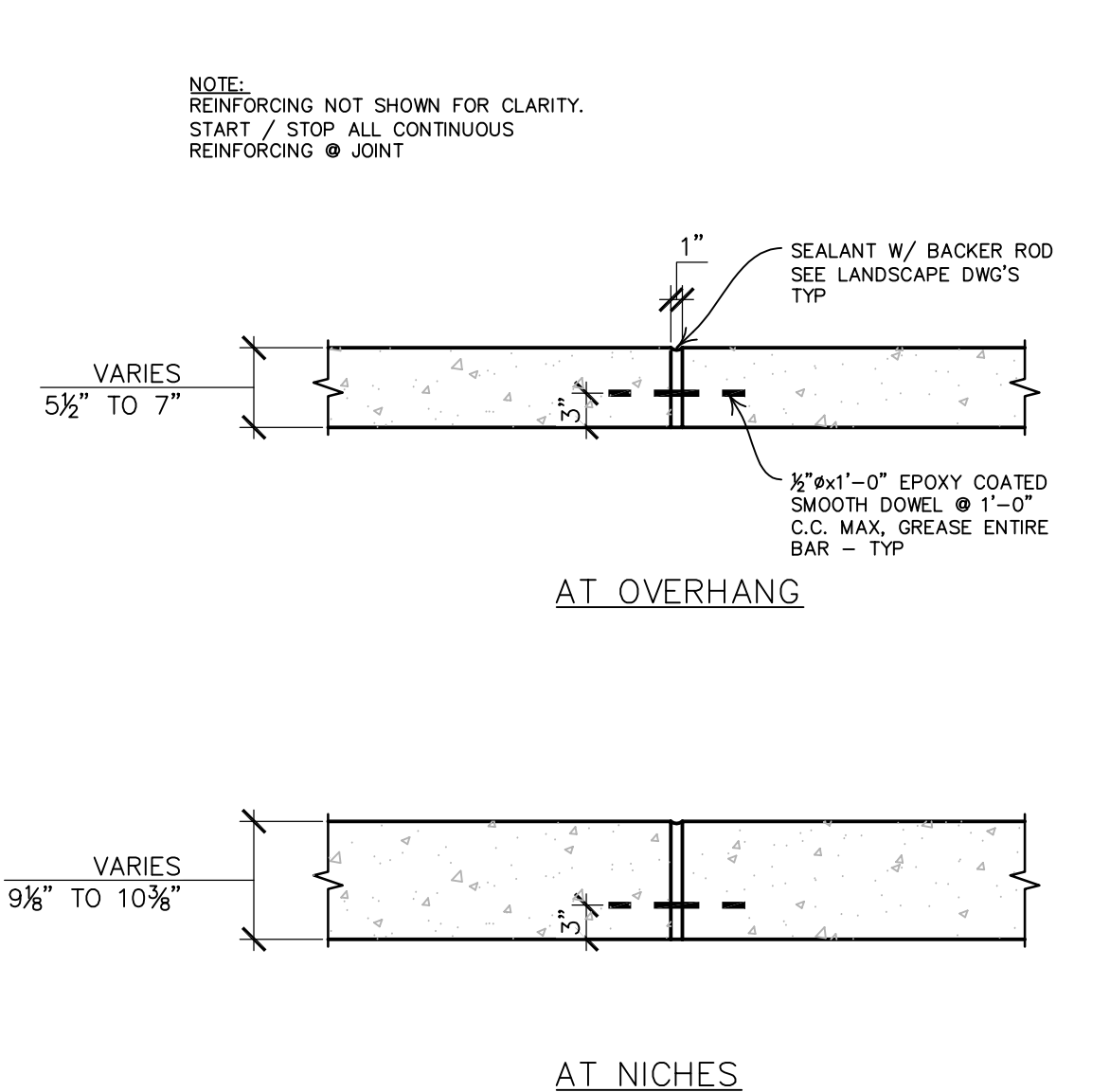


three inches = one foot  
 one and one half inches = one foot  
 one inch = one foot  
 three quarters inch = one foot  
 one half inch = one foot  
 three eighths inch = one foot  
 one quarter inch = one foot  
 one eighth inch = one foot

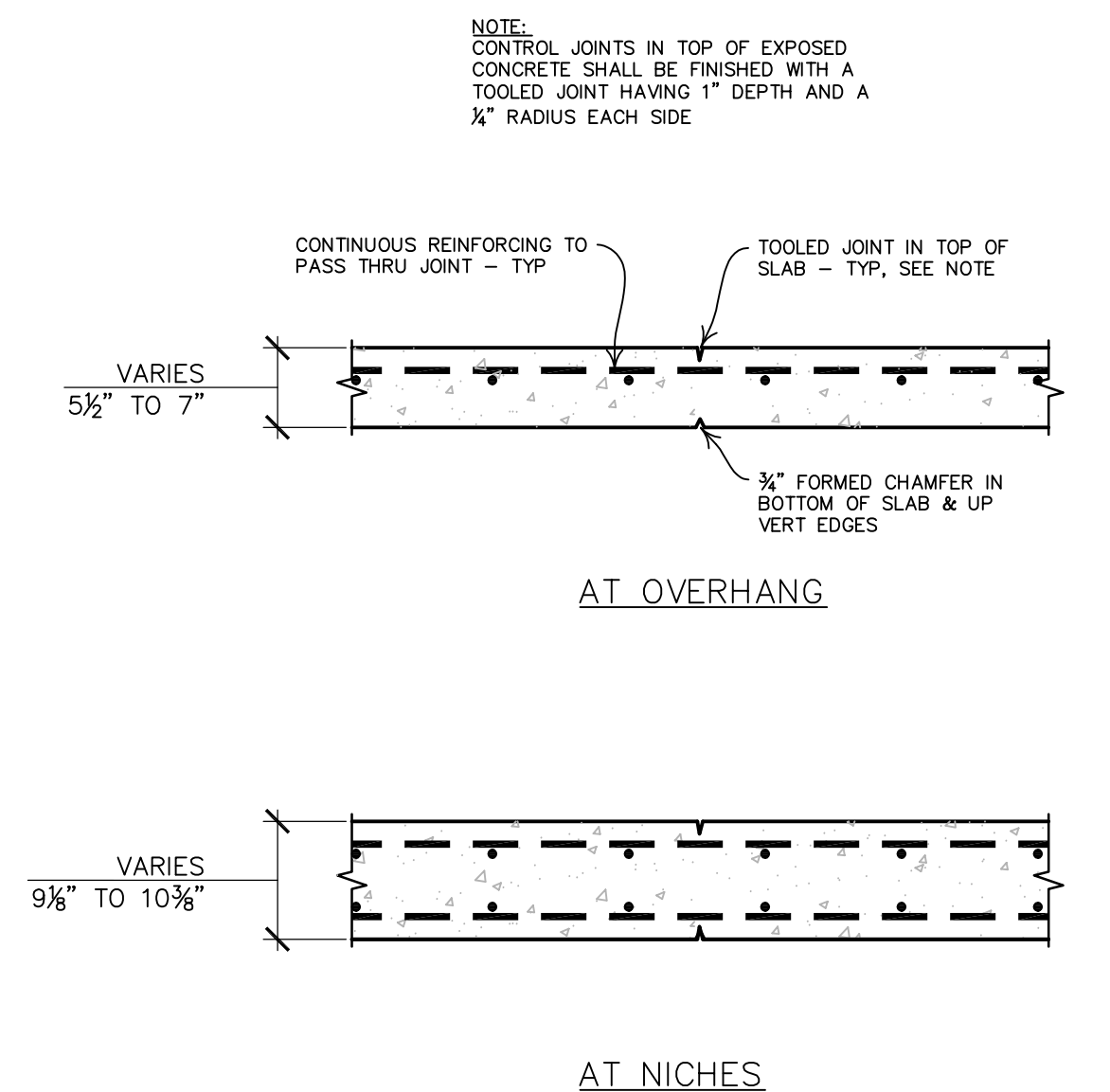
A  
 B  
 C  
 D  
 E  
 F



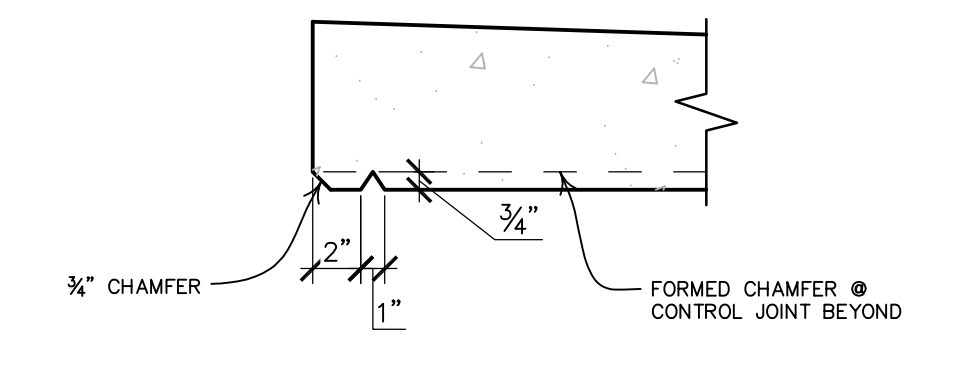
**TYPICAL FOOTING STEP**  
 SCALE: NTS



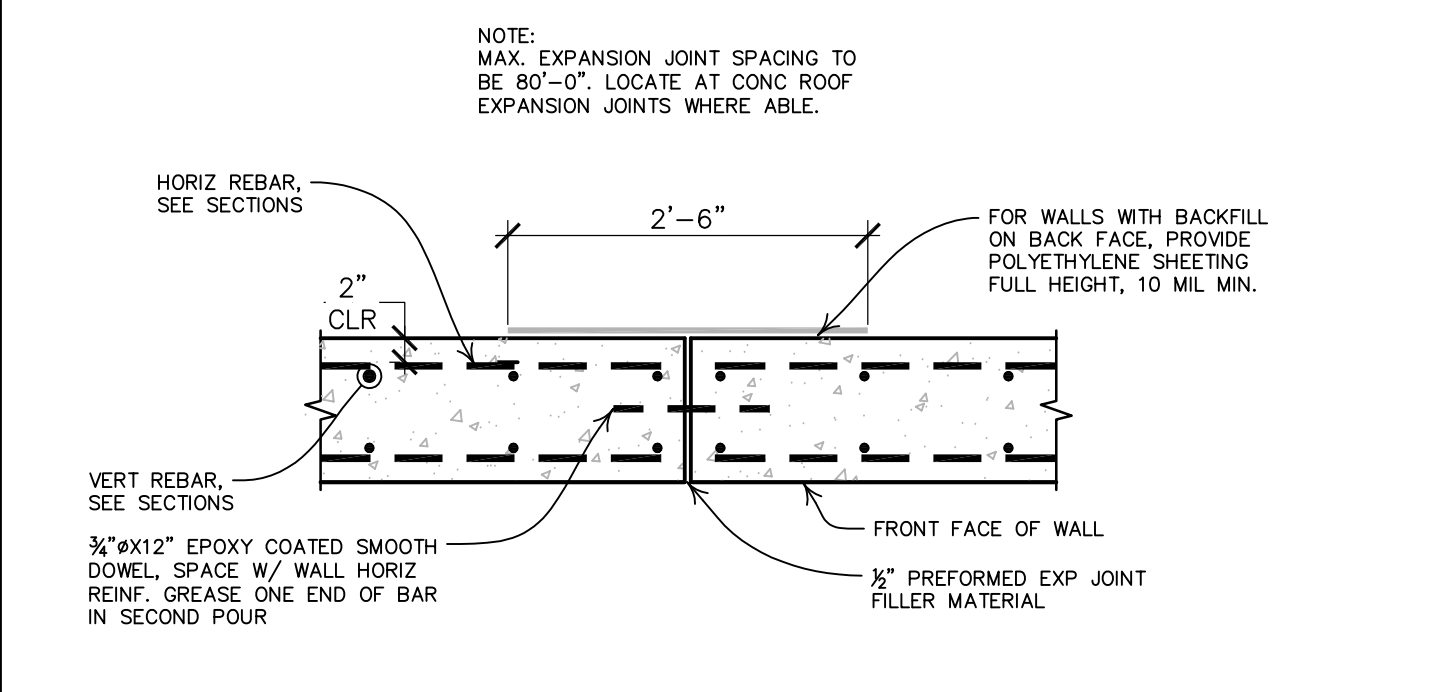
**TYPICAL CONC ROOF EXPANSION JOINT**  
 SCALE: NTS



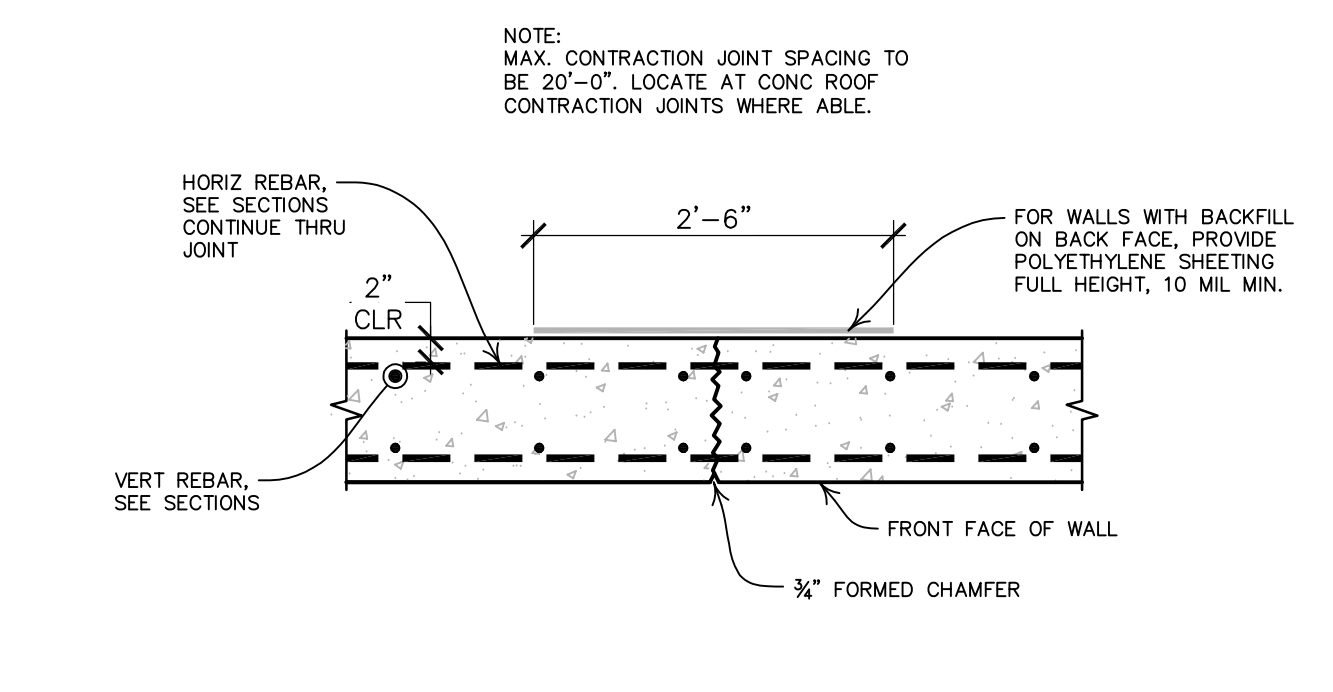
**TYPICAL CONC ROOF CONTROL JOINT**  
 SCALE: NTS



**TYPICAL DRIP EDGE**  
 SCALE: NTS



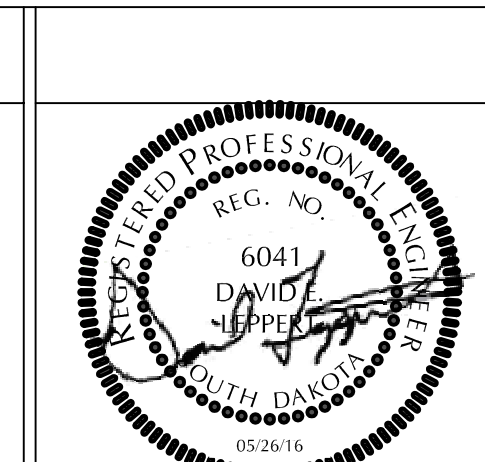
**TYPICAL WALL EXPANSION JOINT**  
 SCALE: 3/4" = 1'-0"




**TYPICAL WALL CONTRACTION JOINT**  
 SCALE: 3/4" = 1'-0"

Revisions	Date

**CONSULTANTS:**  
 3202 W. MAIN, SUITE C  
 RAPID CITY, SOUTH DAKOTA 57702  
 605.343.9606  
**Albertson Engineering Inc.**



**ARCHITECT/ENGINEERS:**  
 517 Seventh Street  
 Rapid City, SD 57701  
 (605) 342-9470  
 (605) 348-0571 (fax)

Drawing Title  
**TYPICAL STRUCTURAL SECTIONS + DETAILS**  
 Approved: Project Director

Project Title  
**Expand Columbarium A**  
 Location 22495 Van Buren Blvd, Riverside National Cemetery, Riverside CA 92518  
 Date March 28, 2016  
 Checked DEL  
 Drawn CA

Project Number  
**901CM3040**  
 Building Numbers  
 ---  
 Drawing Number  
**S-701**  
 Dwg 40 of 47

