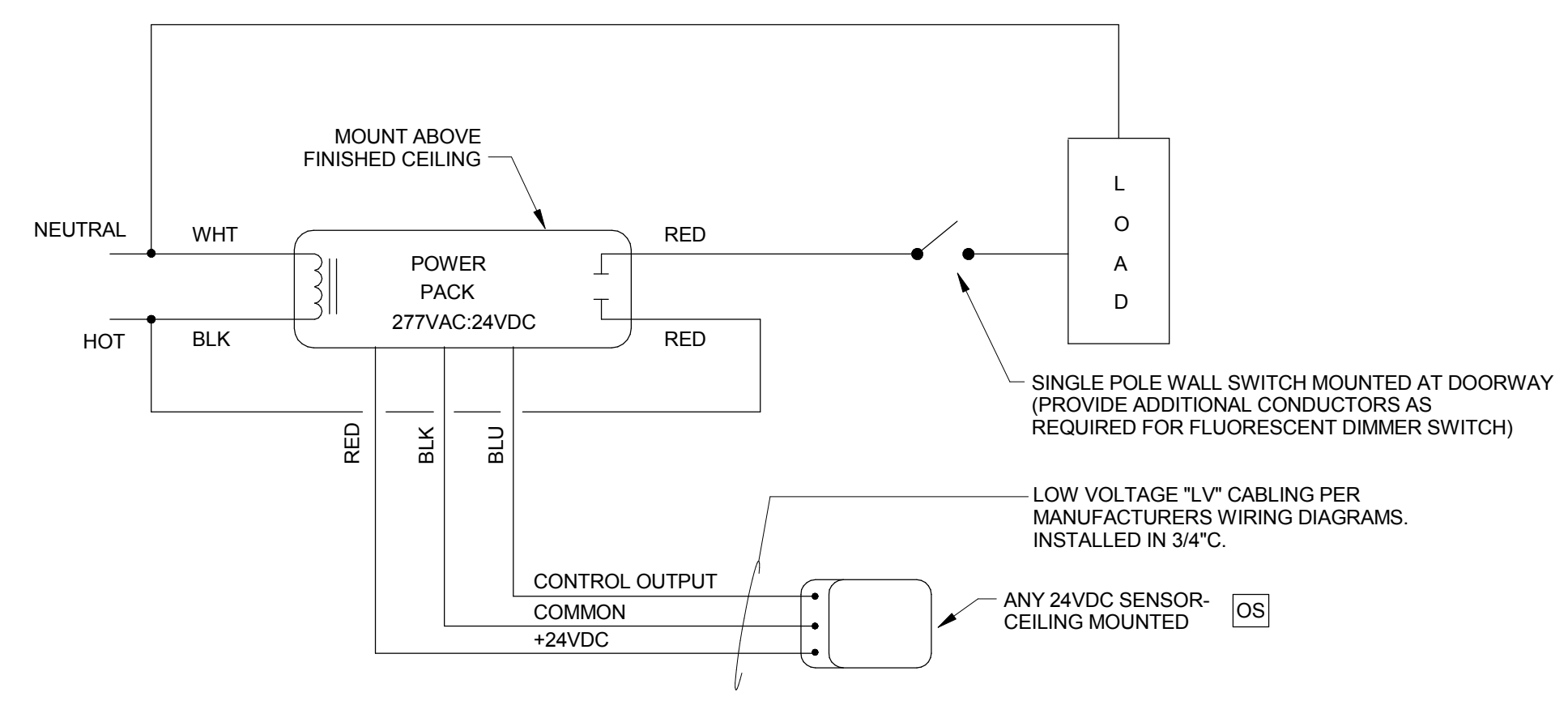


LIGHTING FIXTURE SCHEDULE																		
TYPE	Image	FIXTURE DESCRIPTION	MOUNTING	MAX HEIGHT	LAMP					DRIVER/BALLAST(S)		FIXTURE			MANUFACTURER	MODEL	OR EQUAL BY	
					TYPE	WATTS	QUANTITY	COLOR TEMP	LUMEN MAINTNANCE RATING	EFFICANCY	TYPE	QUANTITY	LUMEN	WATTAGE				VOLTAGE
A		6" DIA RECESSED DOWNLIGHT, SEMI-SPECULAR CLEAR REFLECTOR AND WHITE POLYMER TRIM, LED BOARD AND DRIVER ACCESSIBLE FROM BELOW, CONVEX TRANSITIONAL LENS.	LAY-IN GRID	0' - 7"	LED	22.6W	1	4000 K	L70@50,000 hrs	70.4 LPW	0-10V Dimming	1	1500	23 W	277 V			
D		2' X 2' DIRECT/INDIRECT, RIBBED FROSTED ACRYLIC CENTER LENS, HIGH REFLECTANCE WHITE POWDER COATED REFLECTORS, STEEL HOUSING WITH HINGED DOOR, FUSING.	LAY-IN GRID	0' - 3 1/4"	LED	22.6W	1	4000 K	L80@60,000 hrs	106.9 LPW	0-10V Dimming	1	2400	23 W	277 V			
E		2'-10" OVERALL LENGTH X 3.5"W RECESSED LIGHTING FIXTURE, ALUMINUM EXTRUDED HOUSING WITH WHITE POWDER COAT FINISH, EVEN DISTRIBUTION OPTICS WITH KICKER, FIXTURES OVERALL LENGTH NEEDS TO BE 2 1/2" INCLUDING ALL HARDWARE TO FIT INTO PATIENT HEADWALL.	REFER TO ARCHITECTURAL PATIENT HEADWALL ELEVATIONS	0' - 3 1/2"	LED	47W	1	4000 K	L80@60,000 hrs	96 LPW	0-10V Dimming (100%-1%)	1	1179	47 W	277 V	ALIGHT	D5 INTEGRATION	OR EQUAL
F1		10" FIELD CUTTABLE RIBBON LED LIGHT FIXTURE (FOR SINGLE PATIENT HEADWALLS), 18 LEDS PER FOOT, CONNECTION POINT IS BACK FEED THROUGH BACK OF CHANNEL, PROVIDE 12V ELECTRONIC DRIVER, SURFACE MOUNTED CHANNEL (0.73"W X 0.36"H) WITH FROSTED LENS, AND ALL NECESSARY COMPONENTS FOR CHANNEL (ENDCAPS, LENSES, ETC.).	REFER TO ARCHITECTURAL PATIENT HEADWALL ELEVATIONS	0' - 1"	LED	13.5W	18 LEDs per foot	4000 K	L90@60,000 hrs	-	12V Electronic	1	1179	14 W	277 V	ACOLYTELED	RIBBONLYTE - RB-1.5-41(FIXTURE), CH-AC1-C(CHANNEL)	OR EQUAL
F2		9" FIELD CUTTABLE RIBBON LED LIGHT FIXTURE (FOR DOUBLE PATIENT HEADWALLS), 18 LEDS PER FOOT, CONNECTION POINT IS BACK FEED THROUGH BACK OF CHANNEL, PROVIDE 12V ELECTRONIC DRIVER, SURFACE MOUNTED CHANNEL (0.73"W X 0.36"H) WITH FROSTED LENS, AND ALL NECESSARY COMPONENTS FOR CHANNEL (ENDCAPS, LENSES, ETC.).	REFER TO ARCHITECTURAL PATIENT HEADWALL ELEVATIONS	0' - 1"	LED	13.5W	18 LEDs per foot	4000 K	L90@60,000 hrs	-	12V Electronic	1	1179	14 W	277 V	ACOLYTELED	RIBBONLYTE - RB-1.5-41(FIXTURE), CH-AC1-C(CHANNEL)	OR EQUAL
H		5.2" W X 10.37"H LED ENCLOSED AND GASKETED BRACKET MOUNTED FIXTURE WITH FROSTED GLASS GLOBE WITH REMOVABLE ALUMINUM CAGE AND DIE CAST ALUMINUM HOUSING.	SURFACE	0' - 10 3/8"	LED	11W	1	4000 K	-	-	LED Driver	1	2202	33 W	UNIV			
L		1"W X 4"L VAPOR LUMINE FIXTURE, FUSING, WHITE MOLDED FIBERGLASS REINFORCED POLYESTER BODY, HIGH IMPACT ACRYLIC MOLDED LENS, GASKET, LISTED FOR WET LOCATION, STAINLESS STEEL MOUNTING BRACKETS, PAINT AFTER FABRICATION. MOUNT ON UNISTRUT SUPPORT SUSPENDED FROM CEILING AT 8" TO BOTTOM OF FIXTURE.	SUSPENDED	0' - 5 1/4"	LED	56W	1	4000 K	L70@50,000 hrs	104.7 LPW	0-10V Dimming	1	6000	56 W	UNIV			

- GENERAL LIGHTING INSTALLATION NOTES**
- L1 REFER TO ELECTRICAL SPECIFICATIONS FOR LED LAMP COLOR AND BALLAST TYPE.
 - L2 CONTRACTOR SHALL COORDINATE LIGHTING FIXTURE TYPE (GRID OR FLANGE) WITH ACTUAL CEILING TYPE PRIOR TO ORDERING FIXTURES. CONTACT ENGINEER IF QUESTIONS SHOULD ARISE CONCERNING CEILING TYPES.
 - L3 CONTRACTOR SHALL VERIFY ALL DRIVER QUANTITIES WITH SWITCHING SHOWN ON PLANS PRIOR TO ORDERING FIXTURES. ADJUST DRIVER QUANTITIES AS REQUIRED TO MATCH SWITCHING.
 - L4 VERIFY LIGHTING CIRCUIT VOLTAGE (277V-1Ø OR 120V-1Ø) PRIOR TO ORDERING LIGHTING FIXTURES OR STARTING ROUGH-IN OF BRANCH CIRCUITS. IMMEDIATELY CONTACT ENGINEER WITH ANY DISCREPANCIES. CONTRACTOR IS RESPONSIBLE FOR ORDERING THE PROPER VOLTAGE FOR LIGHTING FIXTURES, REGARDLESS OF VOLTAGE SHOWN ON LIGHTING FIXTURE SCHEDULE.
 - L5 CONTRACTOR SHALL VERIFY ALL FIXTURES TO BE CONTROLLED BY DIMMER SWITCHES AS SHOWN ON PLANS PRIOR TO ORDERING FIXTURES. PROVIDE ARCHITECTURAL DIMMING DRIVER (LED) WITH DIMMING RANGE FROM 100% DOWN TO 10% ON ALL DIMMED FIXTURES AND COMPATIBLE DIMMER CONTROLS WHERE DIMMING IS INDICATED ON PLANS.
 - L6 REFER TO ELECTRICAL SPECIFICATIONS FOR LED COLOR TEMPERATURE AND DRIVER TYPE.



OCCUPANCY SENSOR WITH SINGLE SWITCHING
TYPICAL WIRING DIAGRAM
NOT TO SCALE

FULLY SPRINKLERED

CONSULTANTS: FREDRICK, FREDRICK & HELLER ENGINEERS, INC. 677 EAST ROYAL TON ROAD BROADVIEW HTS., OHIO 44147 TEL (440) 944-9694 FAX (440) 944-9693		ARCHITECT: PERSPECTUS ARCHITECTURE 13212 Shaker Square Suite 204 Cleveland, Ohio 44120 P. 216.752.1800 F. 216.752.3833		Drawing Title LIGHTING FIXTURE SCHEDULE		Project Title Renovate Inpatient SCI Suite		Project Number 541-16-106		Office of Facilities Management Department of Veterans Affairs	
Addendum 1 Bid Issue				Approved: Project Director		Location VAMC - WADE PARK		Drawing Number 1-E0.1			
07/15/2016 05/10/2016						Date 05/10/2016		Checked MPL		Drawn JDM	
								Dwg. of			