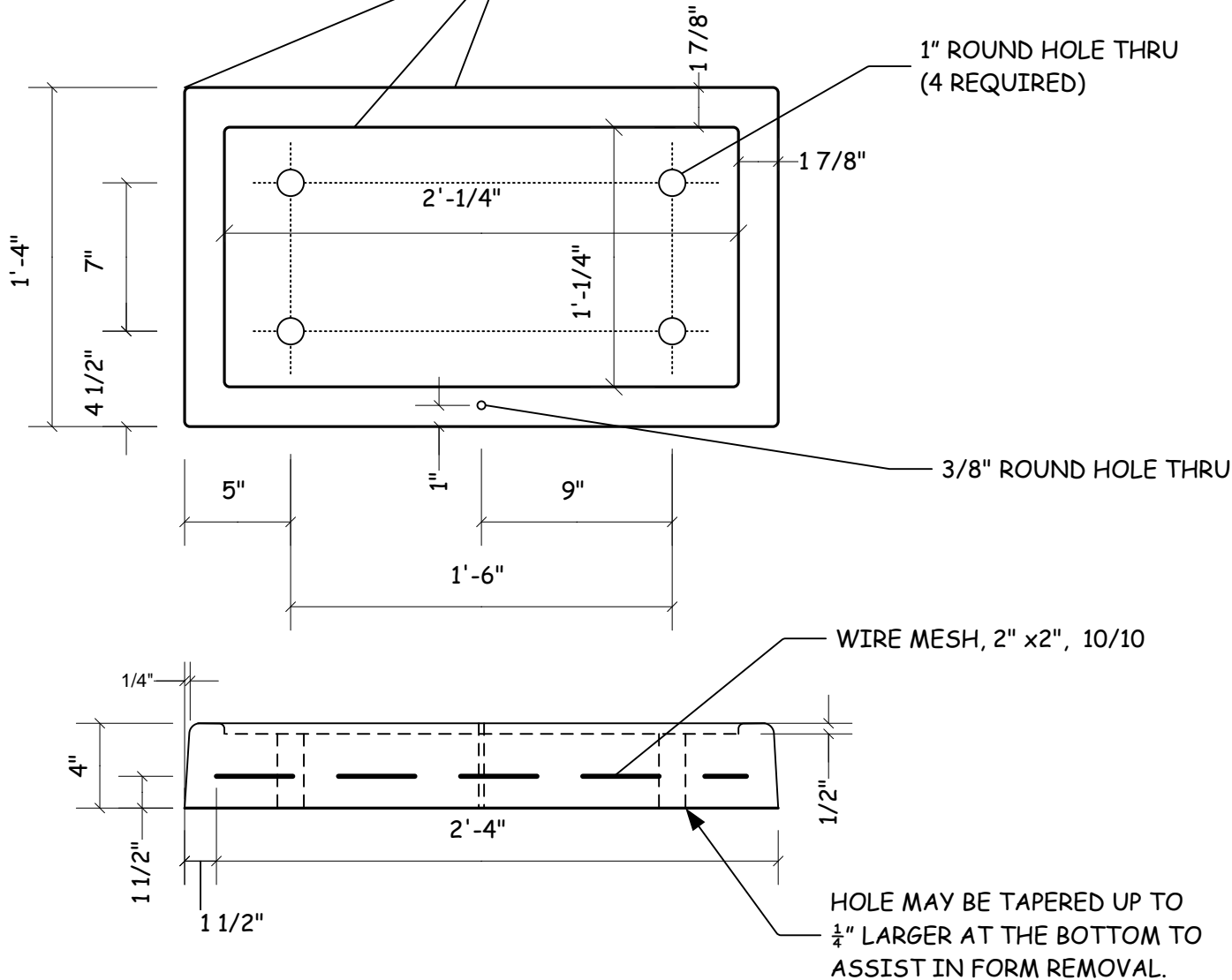


ALL EDGES AND CORNERS TO BE SMOOTH
STEEL TROWELED TO A 1/2" RADIUS.



SHEET NOTES:

CONCRETE BASE, 5,000 PSI SUBMIT
DESIGN MIX FOR APPROVAL.

MANUFACTURE THREE (3) SAMPLE
BASES AND SUBMIT FOR APPROVAL
BEFORE MANUFACTURING ANY
BASES REQUIRED UNDER THIS
CONTRACT. THESE BASES WILL BE
USED AS A STANDARD FOR
ACCEPTANCE.

INCLUDE A COPY OF THE 28-DAY
TEST RESULTS WITH SAMPLES.

**NATIONAL CEMETERY ADMINISTRATION
RIVERSIDE NATIONAL CEMETERY**

**LARGE CONCRETE MARKER
BASE W/ RECESSED TOP**

Checked

M. Cummings

Drawn

C. Schem

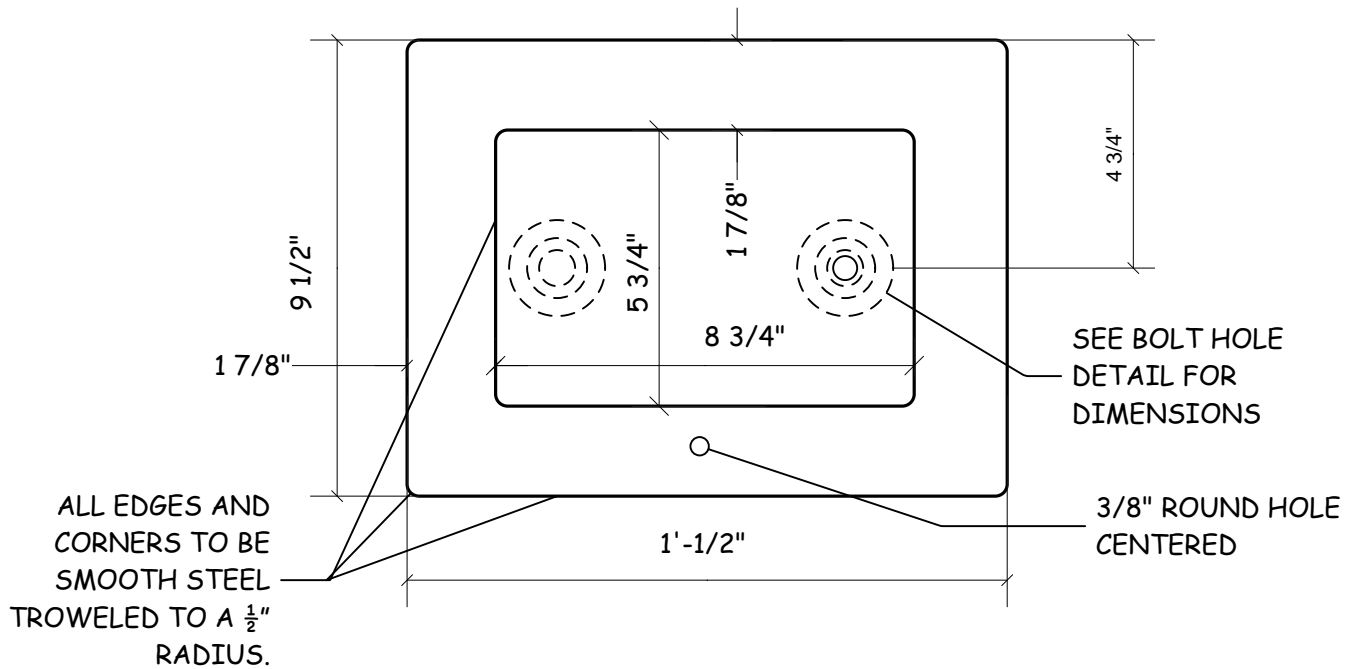
Approved by

Date

02/01/2011

REVISIONS

No.	Date	Description



SHEET NOTES:

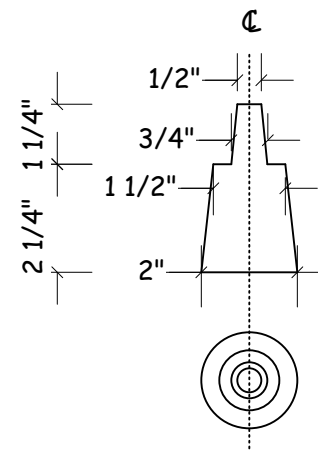
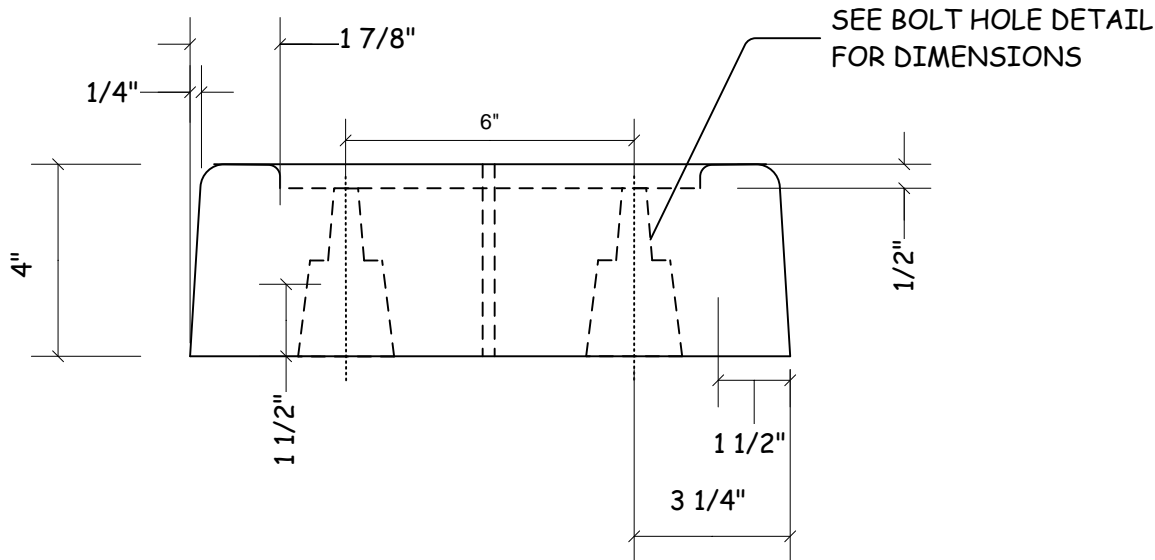
CONCRETE BASE, 5,000 PSI SUBMIT DESIGN MIX FOR APPROVAL.

MANUFACTURE THREE (3) SAMPLE BASES AND SUBMIT FOR APPROVAL BEFORE MANUFACTURING ANY BASES REQUIRED UNDER THIS CONTRACT. THESE BASES WILL BE USED AS A STANDARD FOR ACCEPTANCE.

INCLUDE A COPY OF THE 28-DAY TEST RESULTS WITH SAMPLES.

SEE BOLT HOLE DETAIL FOR DIMENSIONS

3/8" ROUND HOLE CENTERED



BOLT HOLE DETAIL

**NATIONAL CEMETERY ADMINISTRATION
RIVERSIDE NATIONAL CEMETERY**

**SMALL CONCRETE MARKER
BASE W/ RECESSED TOP**

Checked M. Cummings	Approved by
Drawn C. Schem	Date 02/01/2011

REVISIONS		
No.	Date	Description