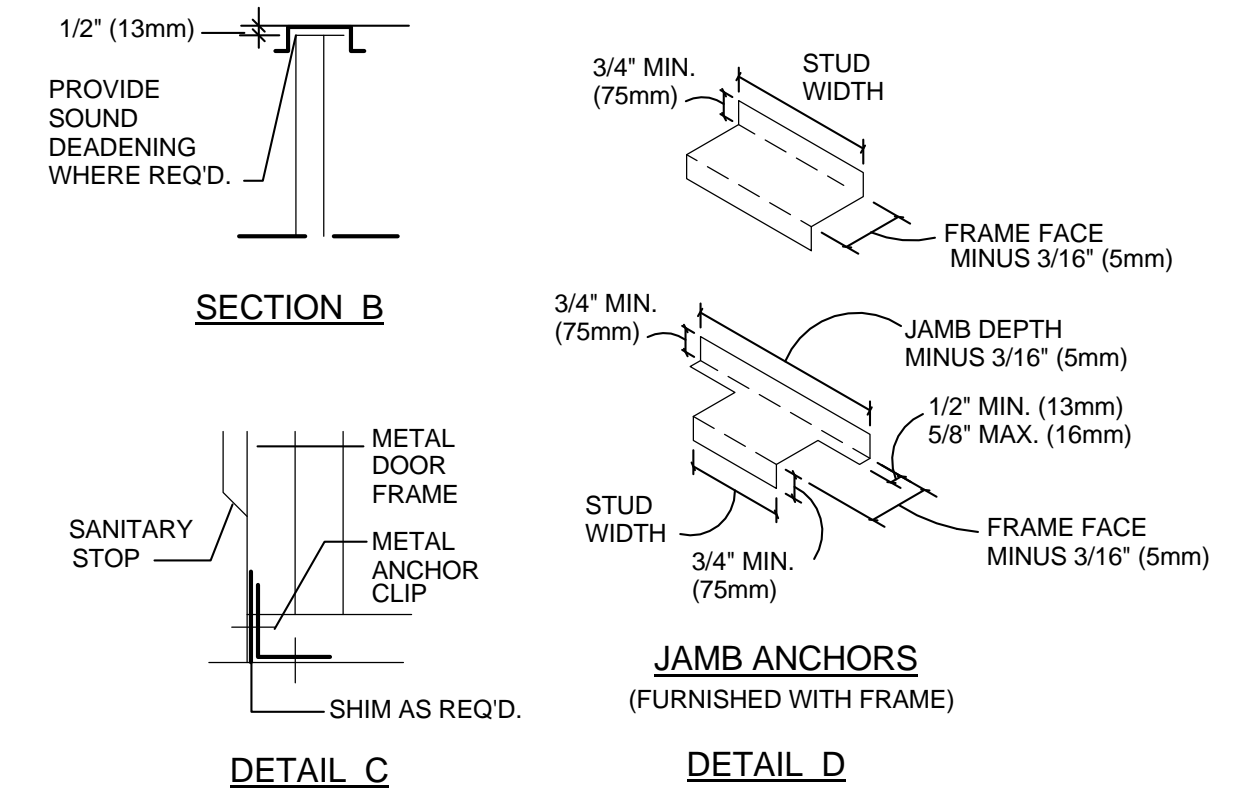
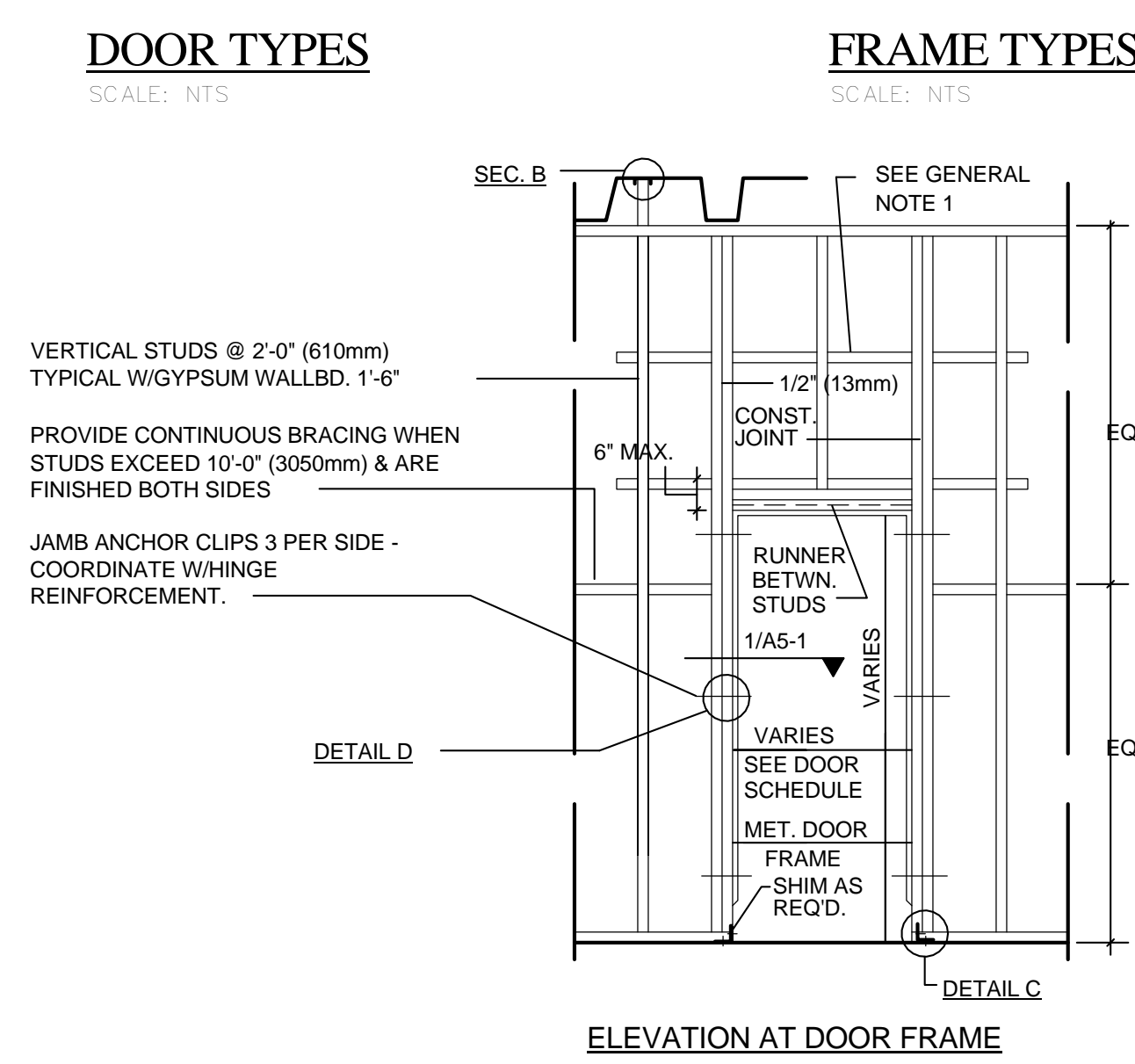
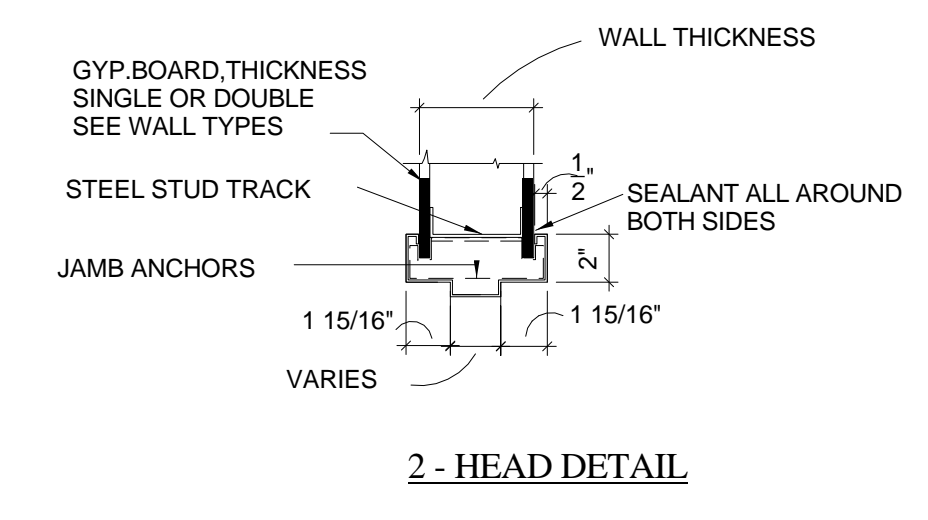
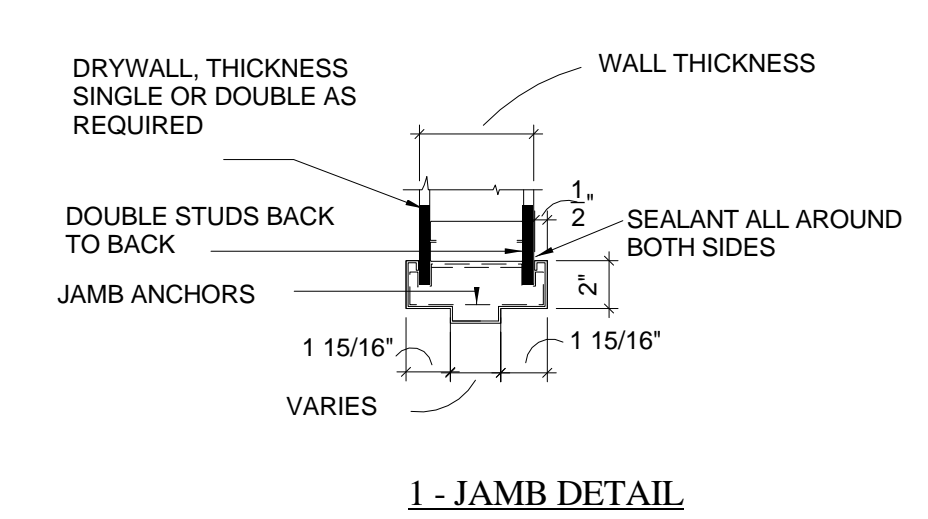
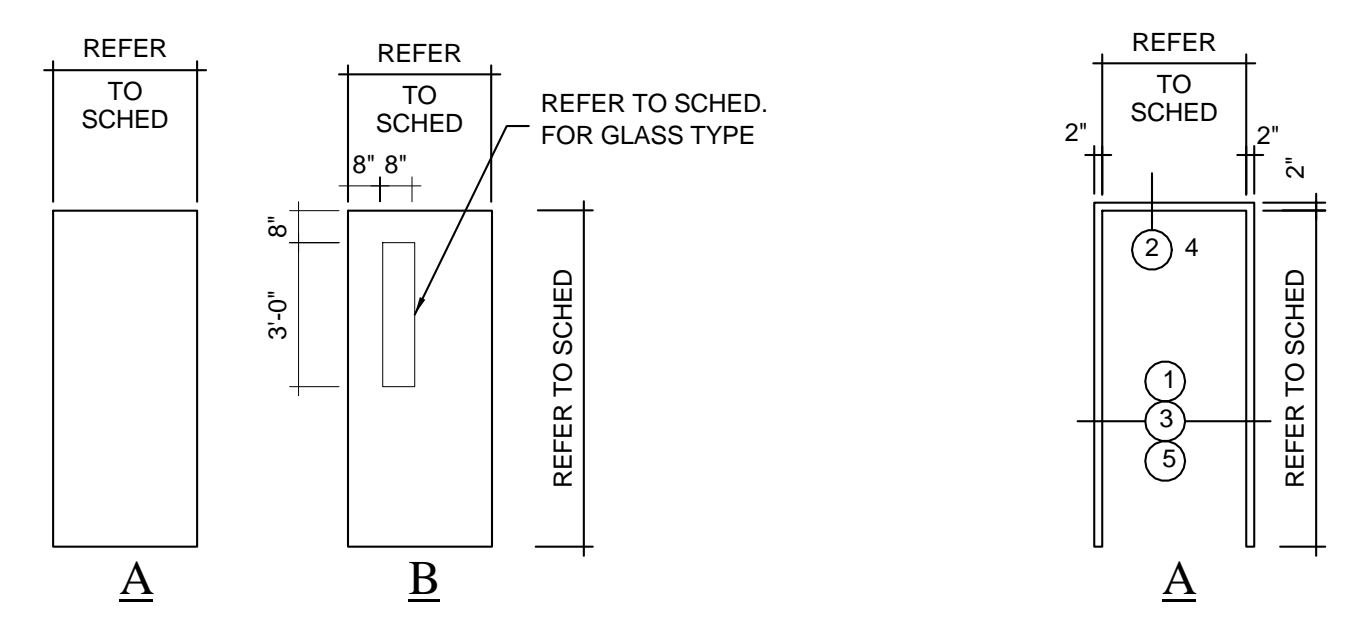


OPENING/DOOR SCHEDULE														HARDWARE SCHEDULE													
OPENING NUMBER	OPENING SIZE		DOOR				RATED	FRAME					REMARKS	OPENING NUMBER	FUNCTION	POWER TRANSFER HINGE	BUTT HINGES	ELECTRIC LOCKSET	LOCKSET	KICK PLATE	CLOSER	WALL STOP	EXIT DEVICE	FLUSH BOLTS	SWIPE CARD DEVICE BY OWNER	REMARKS	
			MAT	THK	TYPE	GL		MAT	ELEV	TYPE	WIDTH	DETAILS															
	WIDTH	HGT								HEAD	JAMB	SILL															
B-D332A	4'-0"	7'-0"	SCW	1-3/4"	B	TEMP	-	HM	A	-	5-7/8"	1	2	-	-	B-D332A	F04	1	2	1	2	1	1	1	1	1	-
B-D332B	PR3'-0"	7'-0"	SCW	1-3/4"	A	-	-	HM	A	-	5-7/8"	1	2	-	-	B-D332B	F07	1	5	1	2				1	1	-
B-D332C	PR3'-0"	7'-0"	SCW	1-3/4"	A	-	-	HM	A	-	5-7/8"	1	2	-	-	B-D332C	F07	1	5	1	2				1	1	-
B-D352A	3'-0"	7'-0"	SCW	1-3/4"	B	TEMP	-	HM	A	-	5-7/8"	1	2	-	-	B-D352A	F04	1	2	1	2				1	1	-
B-D353A	3'-0"	7'-0"	SCW	1-3/4"	A	-	-	HM	A	-	5-7/8"	1	2	-	-	B-D353A	F04	1	2	1	2				1	1	-
B-D354A	4'-0"	7'-0"	SCW	1-3/4"	A	-	-	HM	A	-	5-7/8"	1	2	-	-	B-D354A	F04	1	2	1	2				1	1	-
B-D355A	3'-0"	7'-0"	SCW	1-3/4"	A	-	-	HM	A	-	5-7/8"	1	2	-	-	B-D354B	F04	1	2	1	2				1	1	-
B-D356A	4'-0"	7'-0"	SCW	1-3/4"	A	-	-	HM	A	-	5-7/8"	1	2	-	-	B-D356A	F04	1	2	1	2				1	1	-
B-D358A	4'-0"	7'-0"	SCW	1-3/4"	A	-	-	HM	A	-	5-7/8"	1	2	-	-	B-D358A	F04	1	2	1	2				1	1	-
B-D359A	3'-0"	7'-0"	SCW	1-3/4"	A	-	-	HM	A	-	5-7/8"	1	2	-	-	B-D359A	F04	1	2	1	2				1	1	-
B-D360A	4'-0"	7'-0"	SCW	1-3/4"	A	-	-	HM	A	-	5-7/8"	1	2	-	-	B-D360A	F04	1	2	1	2				1	1	-
B-D361A	3'-0"	7'-0"	SCW	1-3/4"	A	-	-	HM	A	-	5-7/8"	1	2	-	-	B-D361A	F04	1	2	1	2				1	1	-
B-D363A	4'-0"	7'-0"	SCW	1-3/4"	A	-	-	HM	A	-	5-7/8"	1	2	-	-	B-D363A	F04	1	2	1	2				1	1	-
B-D365A	3'-0"	7'-0"	SCW	1-3/4"	A	-	-	HM	A	-	5-7/8"	1	2	-	-	B-D365A	F04	1	2	1	2				1	1	-
B-E333A	4'-0"	7'-0"	SCW	1-3/4"	A	-	-	HM	A	-	5-7/8"	1	2	-	-	B-E333A	F04	1	2	1	2				1	1	-
B-E363A	4'-0"	7'-0"	SCW	1-3/4"	A	-	-	HM	A	-	5-7/8"	1	2	-	-	B-E363A	F04	1	2	1	2				1	1	-

SCHEDULE LEGEND	
OPENING/DOOR	
SCW	SOLID CORE WOOD
HM	HOLLOW METAL
TEMP	1/4" TEMPERED GLASS

- NOTES:
- COORDINATE POWER TRANSFER HINGES AND ELECTRIC LOCKSETS WITH ELECTRICAL DRAWINGS.
  - FACE VENEER FOR SOLID CORE WOOD DOORS SHALL BE RED OAK UNLESS OTHERWISE NOTED ON DOOR SCHEDULE.



GENERAL NOTES:

OMIT BRACE WHEN "D" DIMENSION IS LESS THAN 2'-0" (610mm) OR 16" (403mm) FOR PLASTER PARTITION.

**PARTITION FRAMING AT DOORS**

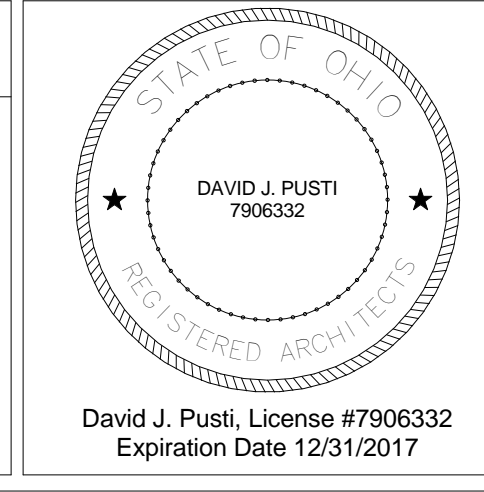
SCALE: NTS

FOR CONSTRUCTION

FINAL SUBMISSION FULLY SPRINKLERED

FINAL SUBMISSION	07/05/16
Revisions:	Date

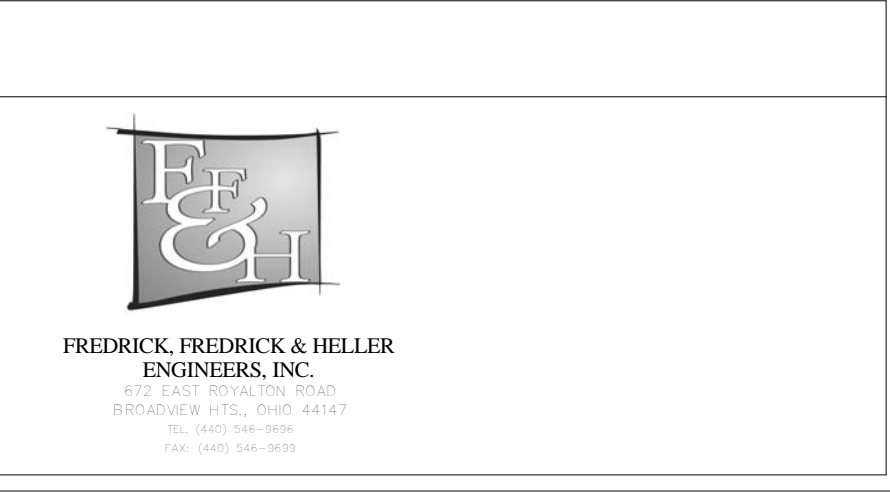
CONSULTANTS:



ARCHITECT/ENGINEERS:

MAKOVICH & PUSTI ARCHITECTS, INC.

111 FRONT STREET, WILBUR, OHIO 44117 (440) 951-0910



Drawing Title: DOOR AND HARDWARE SCHEDULE

Approved: Project Director

Project Title: VAMC WADE PARK CLEVELAND RENOVATE RESEARCH NORTH		Project Number: 541-13-104
Location: 10701 EAST BLVD, CLEVELAND, OHIO 44106		Building Number: 1
Date: 07/05/16	Checked By: Checker	Drawing Number: 5-1
Drawn By: Author		

