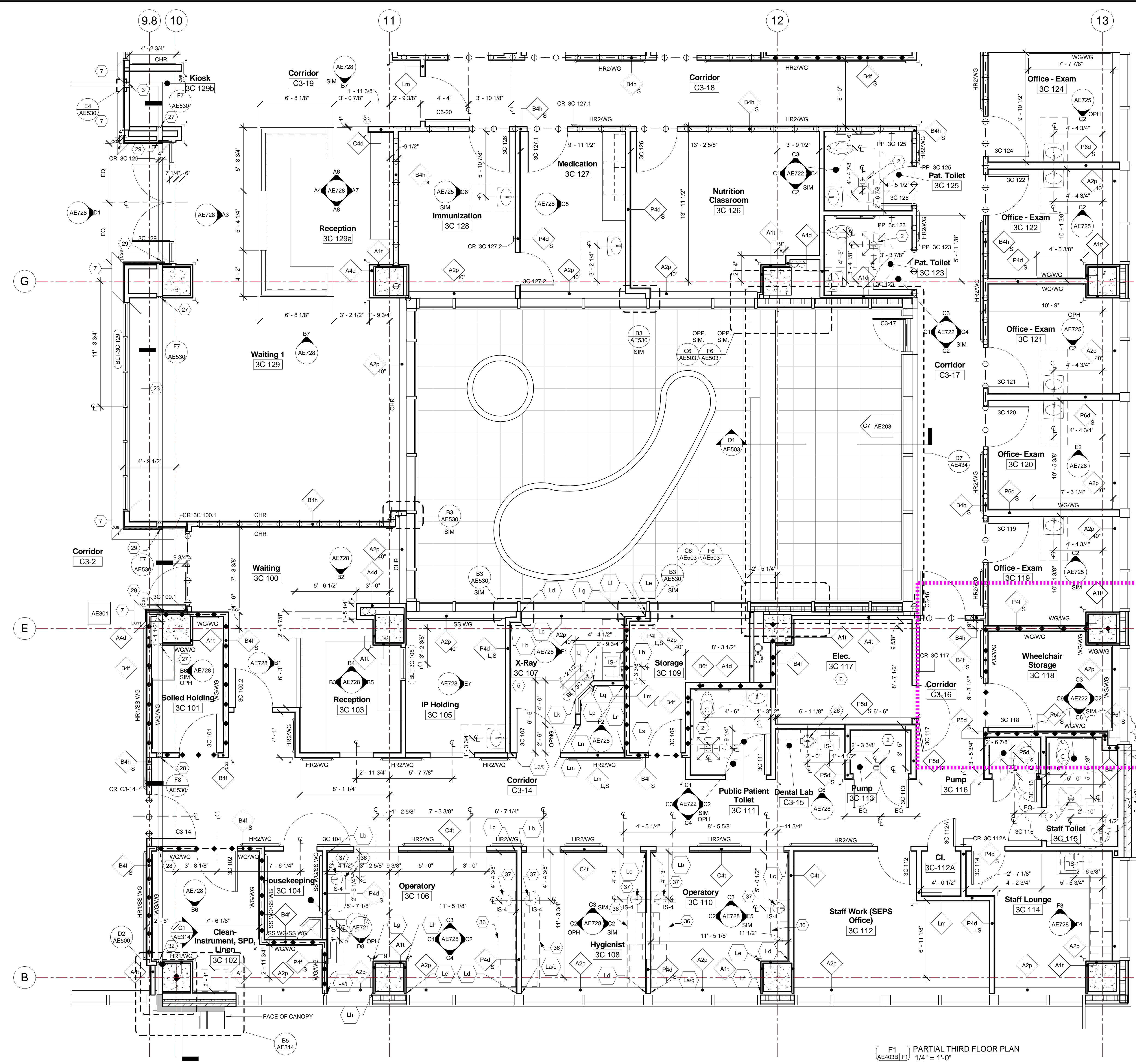
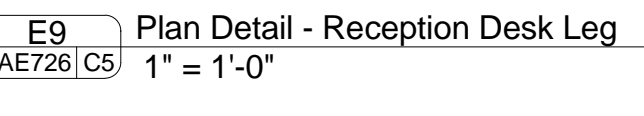
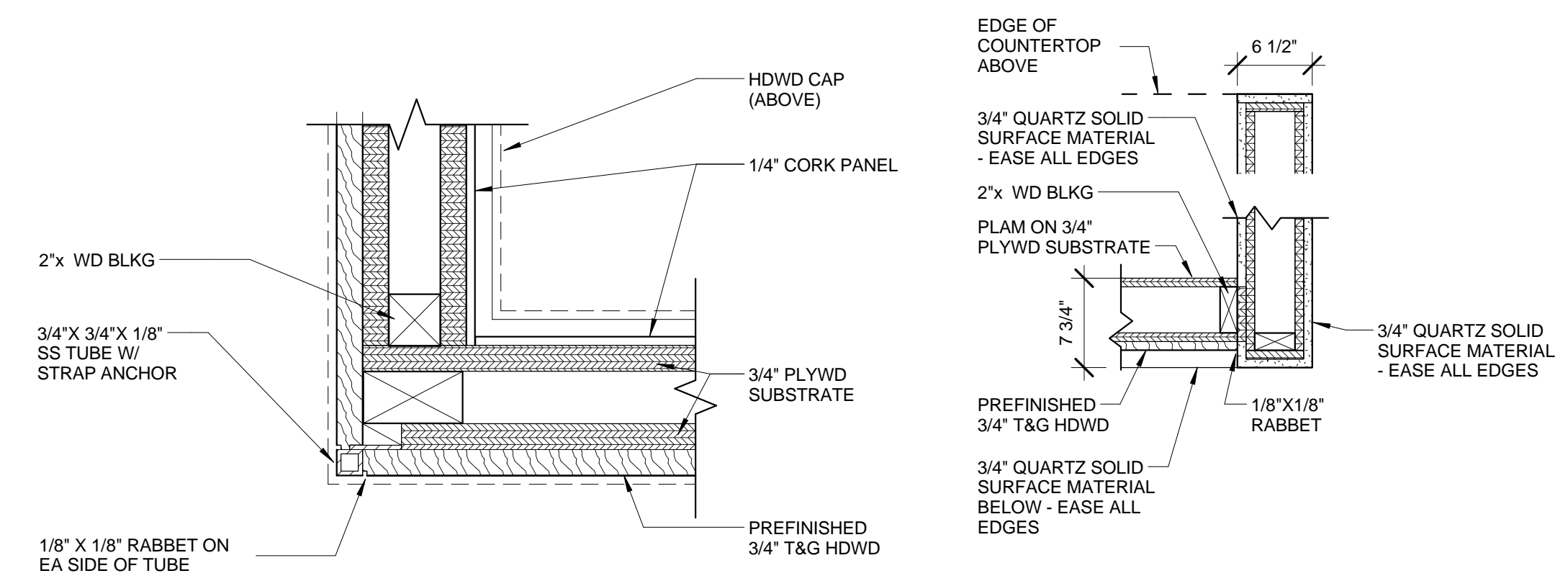
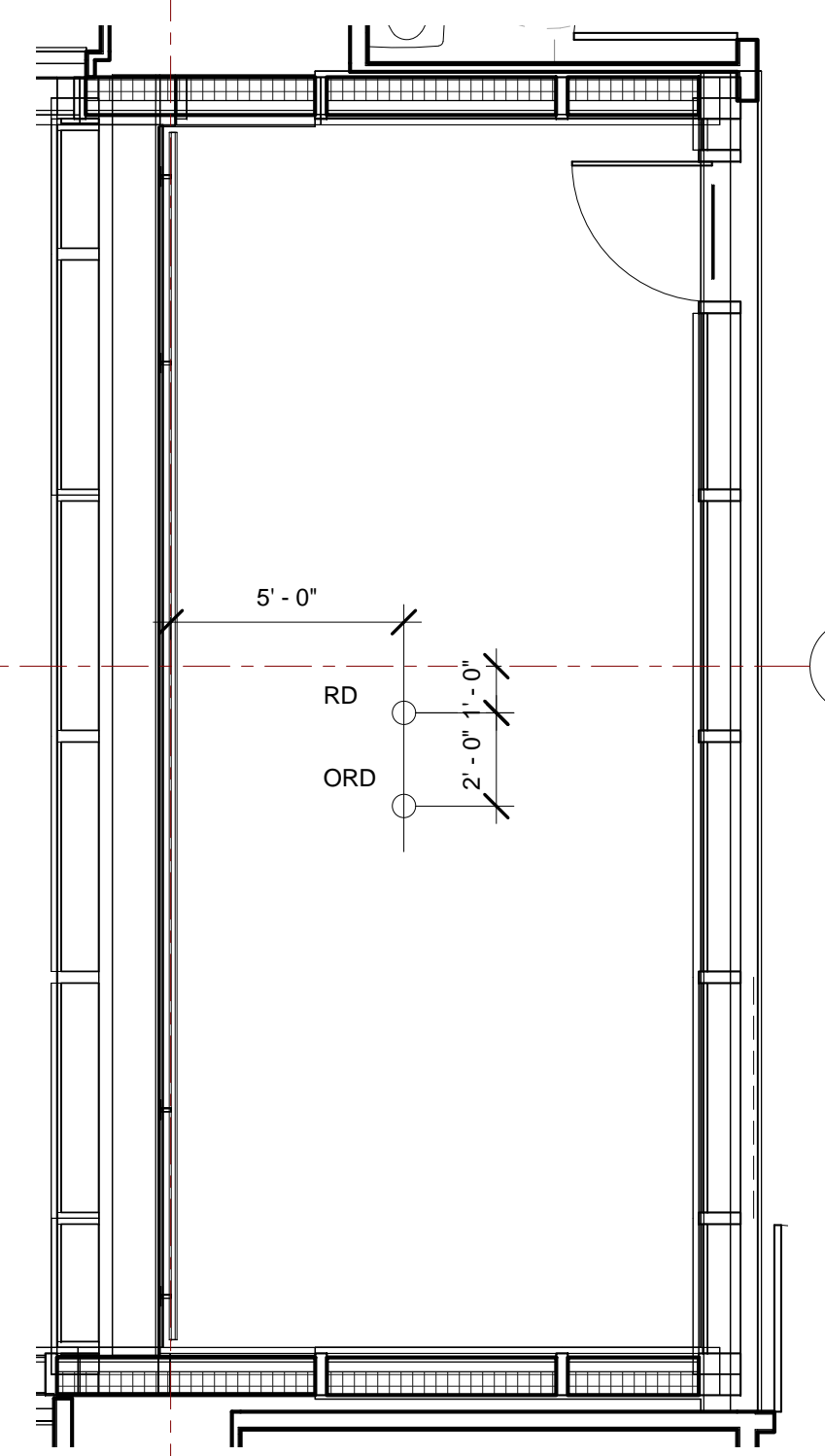


KEYED NOTES - PLAN

- 2 FLOOR DRAIN - (SEE DETAIL A7/AE411 & PLBG DWGS)
- 3 EXPANSION JOINT & COVER - WALL - LIMITS THE PASSAGE OF SMOKE - SEE F5 & EA/ES50
- 4 CAST-IN-PLACE CONCRETE VAULT. (SEE STRUCT DWGS)
- 5 PROVIDE LEAD LINING ON WALLS INDICATED IN RADIATION PROTECTION SCHEDULE SHT AE702
- 6 PROVIDE 3/4" FIRE RETARDANT TREATED PLYWOOD ON EACH WALL FROM TOP OF BASE TO 8'-0" AFF.
- 7 T&G WOOD SIDING - (SEE B1/F1/AE530 & SCHEDULE OF FINISHES 090600)
- 8 STONE VENEER - (SEE B6/B8/AE530 & SCHEDULE OF FINISHES 090600)
- 9 BRICK VENEER - (SEE D/A/E531 & SCHEDULE OF FINISHES 090600) (SIM)
- 10 PROVIDE SOLID SURFACE PANELING ALL WALLS (JOINT WELDED - SEE SCHEDULE OF FINISHES 090600)
- 11 LOCATE & SIZE ROUGH OPENING AS NOTED ON ELEVATOR DRAWINGS FOR HOISTWAY & HALL DOOR LOCATIONS (SEE ALSO F1/AE723)
- 12 GLASS PARTITION (SEE D48/F4/AE730) (SEE SCHED OF FINISHES 090600 FOR GLASS COLOR)
- 13 SLIDING GLASS SERVICE WINDOW (SEE BORROW LIGHT SCHEDULE SHT AE613)
- 14 SPECIMEN PASS THRU COMPARTMENT - (SEE D9/AE615)
- 15 PACKAGE TRANSFER COMPARTMENT - (SEE B6/AE615)
- 16 TELLER WINDOW & DEAL TRAY - (SEE B8/AE615 & BORROW LIGHT SCHEDULE SHT AE613)
- 17 ALUMINUM SECURITY GRILLE - (SEE DOOR SCHEDULE SHT AE610)
- 18 CENTERLINES INDICATE MISC STEEL BEAMS FOR PROCEDURE LIGHT SUPPORT ABOVE CEILING
- 19 MISC STEEL TUBE POST (SEE C7/E8/AE541) (SEE STRUCT DWGS FOR CONNECTIONS)
- 20 MISC STL (STL TUBE SUPPORT) - AT PARTIAL HEIGHT WALL (SEE PH WALL TYPE ON AE701)
- 21 MISC STL (STL TUBE SUPPORT) - AT PARTIAL HEIGHT WALL (SEE PH WALL TYPE ON AE701)
- 22 MISC STL (STL TUBE SUPPORT) AT SECURITY GRILL (SEE DOOR SCHEDULE)
- 23 MISC STL (STL ANGLE SUPPORT) AT KNEE WALL BELOW STOREFRONT (SEE PH WALL TYPE ON AE 701) (SEE F1/AE530)
- 24 RATED CLOSURE BY ELEVATOR CONTRACTOR. (SEE ELEVATOR DWGS)
- 25 PROVIDE SMOKE SEALS: NO GAPS LARGER THAN 1/8" WHEN SLIDING DOOR IS CLOSED
- 26 EYE WASH STATION (SEE PLBG DWGS)
- 27 EXPANSION JOINT & COVER - WALL - NON-RATED - SEE F5 & EA/ES30
- 28 EXPANSION JOINT & COVER - WALL - 1 HR FIRE & SMOKE - SEE F5 & EA/ES30
- 29 EXPANSION JOINT & COVER - WOOD FURRING - ALL RATINGS - SEE B7/AE531
- 30 EXPANSION JOINT & COVER - EXTERIOR WALL - SEE D6 & F2/AE500
- 32 EXPANSION JOINT & COVER - EXTERIOR WALL - SEE F5 & F6/AE500
- 33 FIRE & SMOKE RATED CURTAIN (SEE D6/E8 & E9/AE615)
- 34 CENTER LINE OF FIRE & SMOKE RATED CURTAIN
- 35 INTEGRAL SINK IS-3-STAINLESS STEEL (SEE INTEGRAL SINK SCHEDULE SHT AE720 & SCHED OF FINISHES 090600, VV)
- 36 CASEWORK, SEE INTERIOR ELEVATIONS, VV
- 37 INTEGRAL SINK IS-4-STAINLESS STEEL (SEE INTEGRAL SINK SCHEDULE SHT AE720 & SCHED OF FINISHES 090600, VV)
- 39 FLOOR DRAIN - (SEE DETAIL A7/AE411 & PLBG DWGS)
- 40 DOWNSPOUT FROM CANOPY ROOF DRAIN

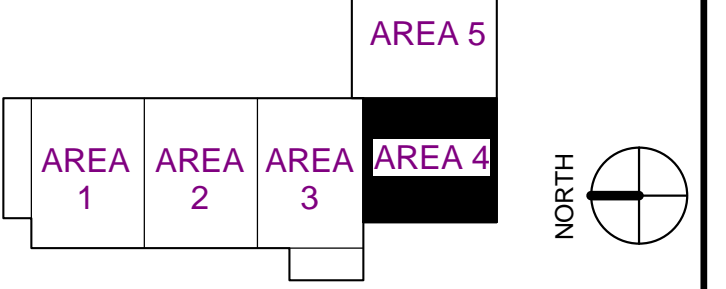
GENERAL PLAN NOTES

1. PARTITIONS ARE DIMENSIONED TO FACE OF GYPSUM BOARD OR MASONRY. UNLESS NOTED OTHERWISE, REFER TO PARTITION SCHEDULE FOR PARTITION THICKNESSES.
2. REFER TO AE002 FOR TYPICAL EQUIPMENT MOUNTING DETAILS.
3. ALL PARTITIONS TO BE B4d% UNO - (SEE SHEET AE701) FOR PARTITION TYPES
4. ALL CORNER GUARDS TO BE C61 UNO (SEE SHEET AE002 FOR CORNER GUARD DETAILS)
5. SEE SHEET AE720 FOR TYPICAL CASEWORK NOTATION, ELEVATIONS AND DETAILS.
6. NOT ALL KEYED NOTES USED ON EACH SHEET.
7. "VV" = VA PROVIDED & VA INSTALLED.
"VC" = VA PROVIDED & CONTRACTOR INSTALLED.
"CC" = CONTRACTOR PROVIDED & CONTRACTOR INSTALLED.
"EVV" = EVV PROVIDED & VA INSTALLED.
8. REFER TO SPECIFICATION APPENDICES TITLED "ACTIVATION EQUIPMENT LIST & EQUIPMENT CUT SHEETS" FOR ADDITIONAL EQUIPMENT PREINSTALLATION REQUIREMENTS.
9. SEE SHEET AE702 FOR GENERAL BLOCKING DETAILS. SEE SPECIFICATION SECTION 06 10 00 ROUGH CARPENTRY FOR BLOCKING MATERIAL REQUIREMENTS.



F1 PARTIAL THIRD FLOOR PLAN
AE403(B) F1 1/4" = 1'-0"

3



FULLY SPRINKLERED

<p>CONSULTANTS:</p> <p>STRUCTURAL ENGINEER: KPF CONSULTING ENGINEERS 1630 DES PERES ROAD, SUITE 100 ST. LOUIS, MO 63131 PHONE: (314) 835-0524</p> <p>MECHANICAL/ELECTRICAL/PLUMBING: KJWW ENGINEERING CONSULTANTS #15 SUNNEN DRIVE, SUITE 104 ST. LOUIS, MO 63143 PHONE: (314) 645-1132</p> <p>CODE CONSULTANT/FIRE PROTECTION: CODE CONSULTANTS, INC. 2043 WOODLAND PARKWAY, SUITE 300 LITTLETON, CO 80122 PHONE: (314) 911-2633</p> <p>CIVIL ENGINEER: STOCK & ASSOCIATES CONSULTING ENGINEERS, INC. 257 CHESTERFIELD BUSINESS PARKWAY CHESTERFIELD, MO 63005 PHONE: (314) 530-9100</p> <p>AUTOMATIC TRANSPORT: LERCH BATES INC. 8389 S. LINCOLN STREET, SUITE 207 SHREVEPORT, LA 71138-0867 PHONE: (318) 687-3771</p> <p>HAZARDOUS MATERIALS: ALTEC ENVIRONMENTAL CONSULTING, LLC P.O. BOX 17867 SHREVEPORT, LA 71138-0867 PHONE: (318) 687-3771</p> <p>IRRIGATION CONSULTANT: RMI 9502 BANYON TREE ST. LOUIS, MO 63126 PHONE: (314) 610-4200</p>		<p>CERTIFICATE OF AUTHORITY: 000842</p>	<p>ARCHITECT:</p> <p>CHRISTNER</p> <p>ARCHITECTS DESIGNERS PLANNERS LANDSCAPE ARCHITECTS 168 N. MERAMEC AVENUE ST. LOUIS, MISSOURI 63105 TEL 314.725.2927 FAX 314.725.2928 CHRISTNERINC.COM</p>	<p>Drawing Title: THIRD FLOOR - AREA 4</p> <p>Approved: Project Director <i>Todd Sanders</i></p>	<p>Project Title: CLINIC BUILDING</p> <p>Location: JEFFERSON BARRACKS DIVISION</p> <p>Date: 20 JANUARY 2012</p> <p>Checked: RJR</p> <p>Drawn: CAH</p>	<p>Project Number: 657-313D</p> <p>Building Number: 55</p> <p>Drawing Number: AE434</p> <p>DWG 138 OF 219</p>	<p>Office of Construction and Facilities Management</p> <p>Department of Veterans Affairs</p>
---	--	---	---	---	---	--	---