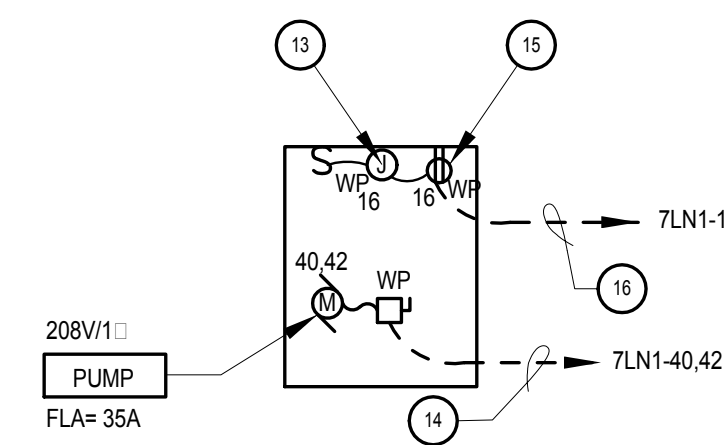
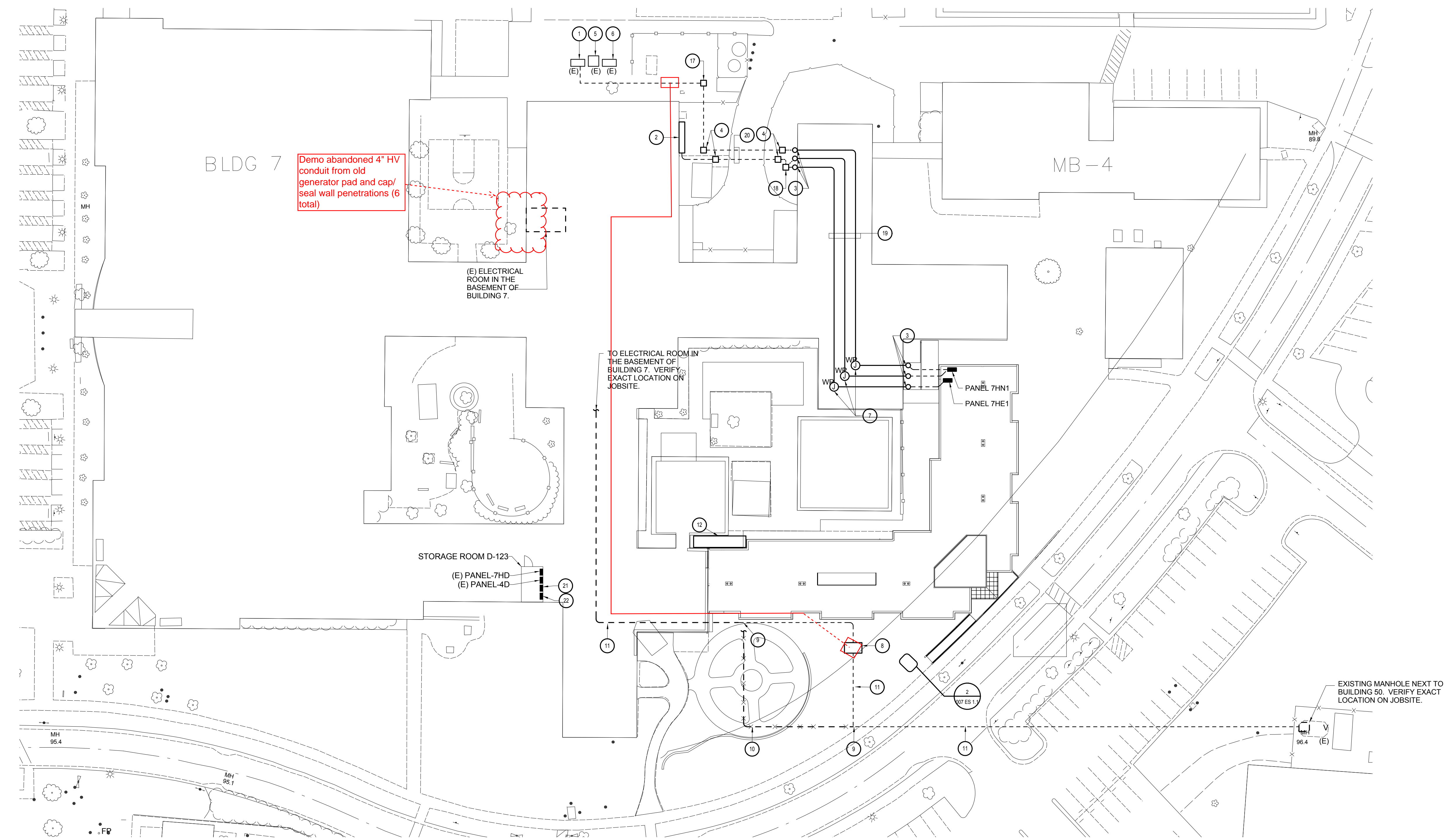


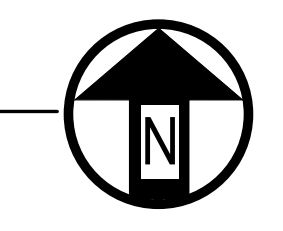
three inches = one foot
 one and one half inches = one foot
 one inch = one foot
 three quarters inch = one foot
 one half inch = one foot
 three eighths inch = one foot
 one quarter inch = one foot
 one eighth inch = one foot



2 FOUNTAIN PUMP VAULT - ENLARGED PLAN
 007 ES 1.1 SCALE: NTS



1 POWER - SITE PLAN
 007 ES 1.1 SCALE: 1/32" = 1'-0"

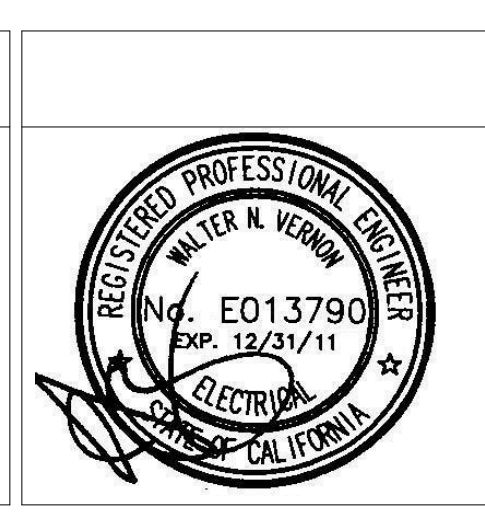


- GENERAL NOTES:**
- CONDUIT RUNS ARE DIAGRAMATIC. IT IS THE CONTRACTORS RESPONSIBILITY TO VERIFY BUILDING CONDITION AND POSSIBLE ROUTES, AND PROVIDE A J-BOX/PULL-BOX AS NECESSARY SO THAT EACH CONDUIT RUN SHALL NOT EXCEED 4 90° TURNS PER NEC.
 - FOR FEEDER SIZES, SEE SINGLE LINE DIAGRAMS.

- KEYED NOTES:**
- EXISTING NORMAL POWER SWITCHGEAR-1800A, 480/277 V, 3 PHASE, 4 WIRE.
 - EMERGENCY SWITCHGEAR INSTALLED UNDER DIFFERENT PROJECT. VERIFY EXACT LOCATION ON JOBSITE.
 - CONDUIT RISER ON EXTERIOR BUILDING, TO ROOF.
 - PULL-BOX INSTALLED UNDER DIFFERENT PROJECT. VERIFY EXACT LOCATION ON JOBSITE.
 - EXISTING MEDIUM VOLTAGE TRANSFORMER-1000 KVA, 12KV TO 480/277 V, 3 PHASE, 4 WIRE.
 - EXISTING MEDIUM VOLTAGE SUBSTATION.
 - SIZED PER NEC ARTICLE 314.
 - EXISTING MANHOLE RELOCATED. SEE SHEET 007 ES 1.0 FOR MORE INFORMATION.
 - INTERCEPT EXISTING CONDUIT & EXTEND TO THE MANHOLE AS SHOWN. PROVIDE CONDUIT IN-KIND & ALL FITTINGS AS REQUIRED FOR EXTENSION.
 - CAP BOTH ENDS OF UNUSED CONDUIT MIN. 12" BELOW FINISH GRADE & ABANDON.
 - PULL IN EXISTING CONDUCTORS & CONNECT AS REQUIRED. IF EXISTING CONDUCTORS ARE NOT LONG ENOUGH FOR RE-ROUTING, PROVIDE CONDUCTORS IN-KIND & ALL NECESSARY FITTINGS FOR RE-ROUTING.
 - CONCRETE PAD FOR RELOCATION OF EXISTING ELECTRICAL EQUIPMENT (PANELS, TRANSFORMERS, J-BOXES, DISCONNECT SWITCHES). SEE SHEET 007 ES 1.0 FOR MORE INFORMATION. ALSO SEE SHEET 007 ES 2.02 FOR EQUIPMENT LAYOUT & DETAILS. EXTEND EXISTING FEEDER CIRCUITS TO NEW LOCATION & CONNECT AS REQUIRED. PROVIDE ALL NECESSARY CONDUITS/WIRES FOR EXTENSION.
 - J-BOX FOR POWER CONNECTION TO FOUNTAIN PUMP VAULT LIGHTING. VERIFY EXACT LOCATION WITH VAULT MANUFACTURER.
 - 1 1/4" C-2#4& 1#6 GND.
 - COORDINATE EXACT LOCATION WITH VAULT MANUFACTURER.
 - 3/4" C-2#10 & 1#10 GND.
 - ELECTRICAL PULLBOX SIZE PER NEC 314.
 - ATS-SCI INSTALLED CONCRETE PAD, 300 AMPS, 400V, 3PHASE, 4 WIRE. ASCO #7000 SERIES OR EQUAL.
 - CONDUIT RUN ON ROOF. (TYPICAL)
 - 4" UNDERGROUND CONDUIT INSTALLED UNDER DIFFERENT PROJECT TO BE USED FOR NORMAL AND EMERGENCY FEEDERS. SEE SINGLE LINE DIAGRAM FOR CONDUCTOR SIZES. VERIFY EXACT LOCATION ON JOBSITE.
 - EXISTING PANEL A RELOCATED IN STORAGE ROOM D-123. EXTEND EXISTING FEEDER BRANCH CIRCUITS TO NEW LOCATION AND CONNECT AS REQUIRED. PROVIDE ALL NECESSARY CONDUITS/WIRES FOR EXTENSION.
 - EXISTING PANEL B RELOCATED IN STORAGE ROOM D-123. EXTEND EXISTING FEEDER BRANCH CIRCUITS TO NEW LOCATION AND CONNECT AS REQUIRED. PROVIDE ALL NECESSARY CONDUITS/WIRES FOR EXTENSION.

**CONSTRUCTION DOCUMENTS
 FULLY SPRINKLERED**

CONSULTANTS:
m+nlb
 MAZZETTI NASH LIPSEY BURCH
 3600 American River Drive, Suite 203
 Sacramento, CA 95864-5950
 TEL: 916.979.4890
 FAX: 916.979.4895
 www.mazzetti.com
 PROJECT NUMBER: 101-006
 COPYRIGHT © 2010 MAZZETTI NASH LIPSEY BURCH, INC.
 ALL RIGHTS RESERVED WORLDWIDE



ARCHITECT/ENGINEERS:
 Lee, Burkhardt, Liu, Inc.
 Architecture, Planning, Interiors
 149 New Montgomery Street, 5th Floor
 San Francisco, California 94105
 Phone (415) 671-4342 Fax (415) 671-4610

Drawing Title
POWER SITE PLAN
 Approved Project Director
 Date: April 1, 2008

Project Title
**VA Palo Alto Healthcare System
 Spinal Cord Injury Replacement
 Unit**
 Location
3801 Miranda Avenue, Palo Alto
 Date: 12-15-2010
 Checked: [] Drawn: []
 Project Number
640-380
 Building Number
007
 Drawing Number
007 ES 1.1
 Dwg. of.

**Office of
 Facilities
 Management**
 Department of
 Veterans Affairs