

60"W WALL SINK UNIT W/ STORAGE CABINET ABOVE SINK AND L-CART
(QTY. 63)

DRAWING TITLE

SKETCH

SK-A1.1

DRAWING NUMBER

SAN JOSE CBOC

PROJECT NAME

1/2" = 1'-0"

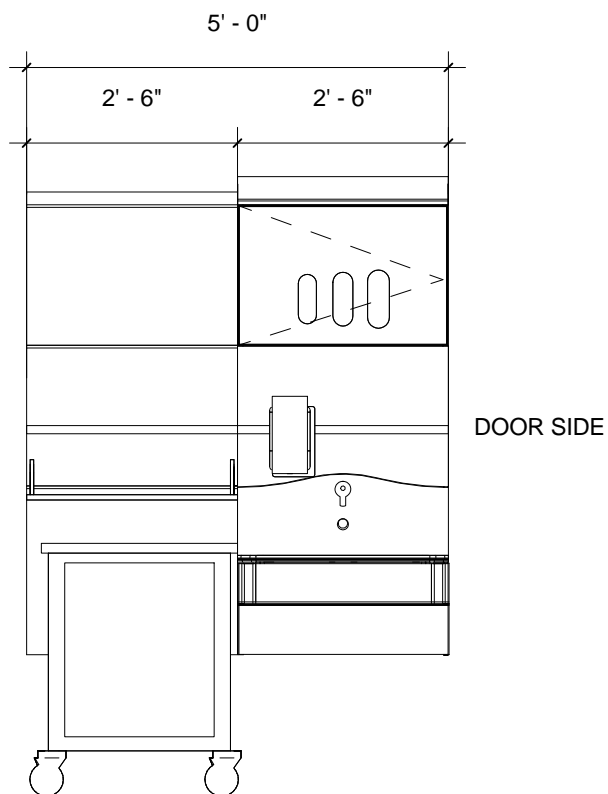
DRAWING SCALE

640-431

PROJECT NUMBER

07/13/2017

DATE



HERMAN MILLER COMPASS SYSTEM

TYPICAL: PRIMARY CARE, PODIATRY, CARDIOLOGY, AND WOMEN HEALTH, EXAM ROOM,
PROCEDURE ROOMS, VISUAL FIELD ROOM, IMAGING ROOM & ORTHOPEDICS

60"W WALL SINK UNIT W/ STORAGE CABINET ABOVE SINK AND W/O L-CART (QTY. 12)

DRAWING TITLE

SKETCH

SK-A1.2

DRAWING NUMBER

SAN JOSE CBOC

PROJECT NAME

1/2" = 1'-0"

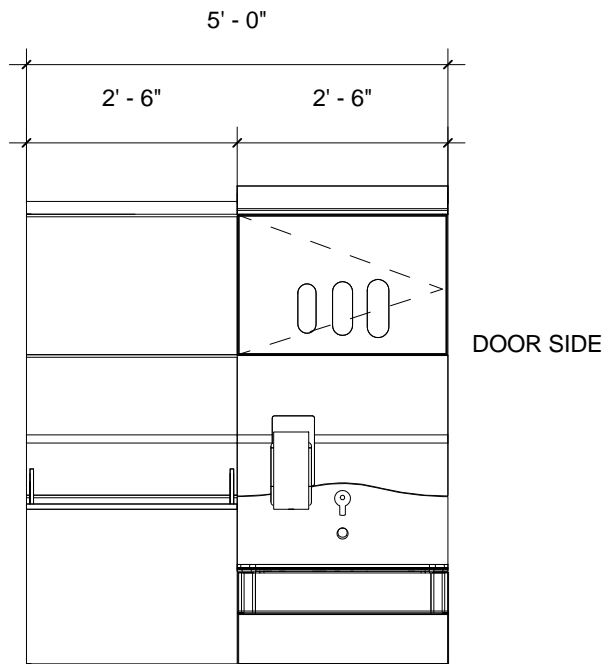
DRAWING SCALE

640-431

PROJECT NUMBER

07/13/2017

DATE



HERMAN MILLER COMPASS SYSTEM
TYPICAL: CONSULT ROOM

SKETCH

60"W WALL SINK UNIT W/ LEFT SIDE STORAGE CABINET (QTY. 7)

SK-A2

DRAWING TITLE

DRAWING NUMBER

SAN JOSE CBOC

PROJECT NAME

1/2" = 1'-0"

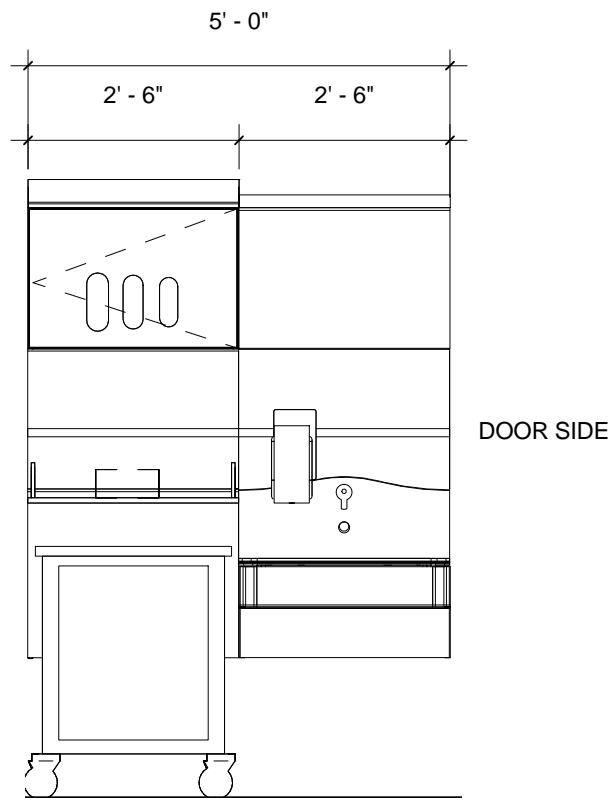
DRAWING SCALE

640-431

PROJECT NUMBER

07/13/2017

DATE



HERMAN MILLER COMPASS SYSTEM

TYPICAL: EYE EXAM ROOM

SKETCH

60"W WALL SINK UNIT W/ STORAGE CABINET ON BOTH SIDES (QTY. 3)

SK-A3

DRAWING TITLE

DRAWING NUMBER

SAN JOSE CBOC

PROJECT NAME

1/2" = 1'-0"

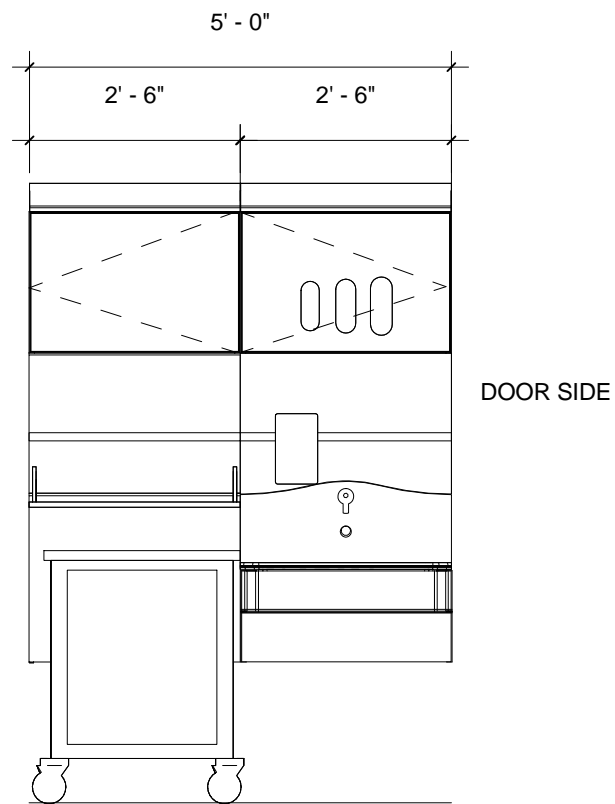
DRAWING SCALE

640-431

PROJECT NUMBER

07/13/2017

DATE



HERMAN MILLER COMPASS SYSTEM
TYPICAL: DERMATOLOGY EXAM ROOM

54"W WALL SINK UNIT W/ STORAGE CABINET ABOVE SINK AND L-CART
(QTY. 4)

DRAWING TITLE

SKETCH

SK-A4.1

DRAWING NUMBER

SAN JOSE CBOC

PROJECT NAME

1/2" = 1'-0"

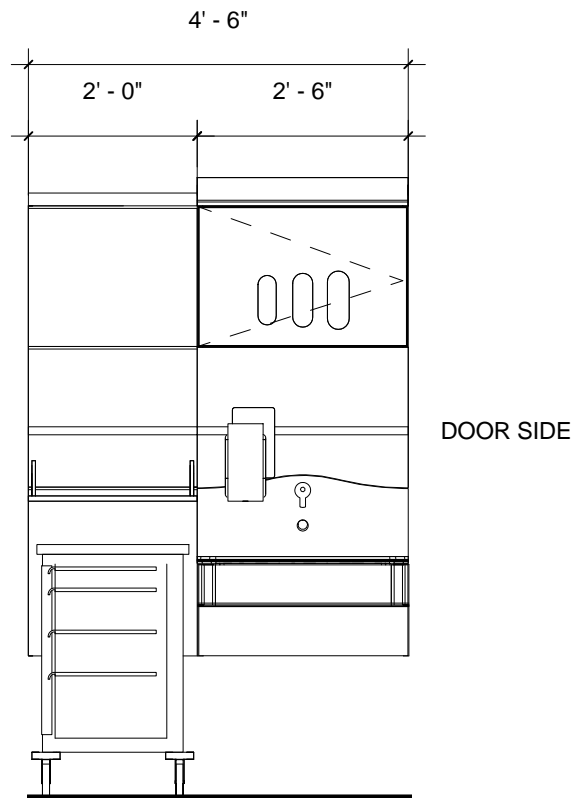
DRAWING SCALE

640-431

PROJECT NUMBER

07/13/2017

DATE



HERMAN MILLER COMPASS SYSTEM
ATYPICAL: PRIMARY CARE EXAM ROOM

54"W WALL SINK UNIT W/ STORAGE CABINET ABOVE SINK AND W/O L-CART (QTY. 3)

DRAWING TITLE

SKETCH

SK-A4.2

DRAWING NUMBER

SAN JOSE CBOC

PROJECT NAME

1/2" = 1'-0"

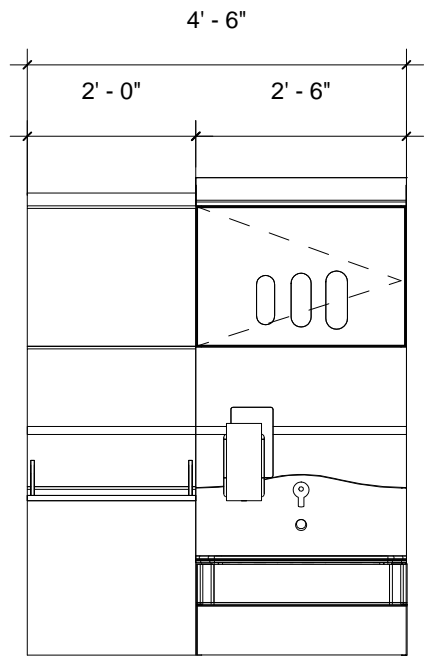
DRAWING SCALE

640-431

PROJECT NUMBER

07/13/17

DATE



DOOR SIDE

HERMAN MILLER COMPASS SYSTEM

ATYPICAL: PRIMARY CARE EXAM ROOM, & CONSULT ROOM

SKETCH

54"W WALL SINK UNIT W/ LEFT SIDE STORAGE CABINET (QTY. 3)

SK-A5

DRAWING TITLE

DRAWING NUMBER

SAN JOSE CBOC

PROJECT NAME

1/2" = 1'-0"

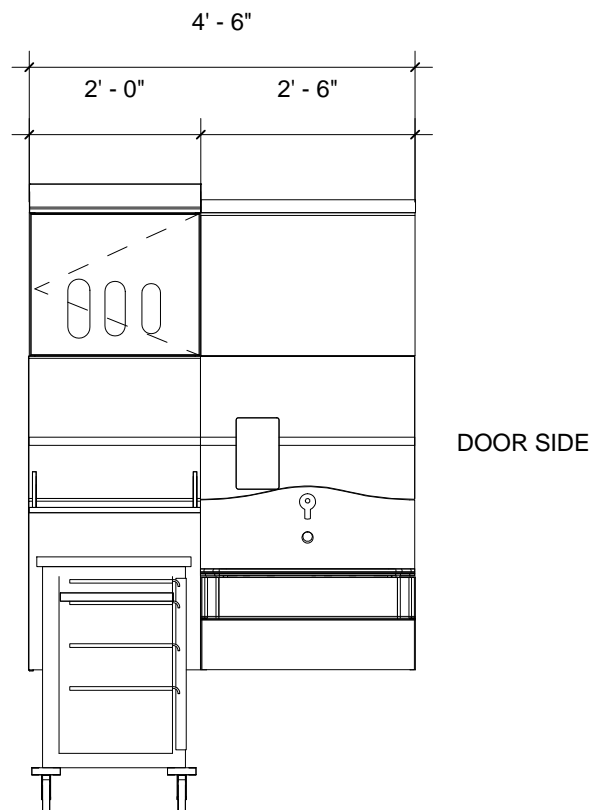
640-431

07/13/2017

DRAWING SCALE

PROJECT NUMBER

DATE



HERMAN MILLER COMPASS SYSTEM

ATYPICAL: EYE EXAM ROOM

SKETCH

98"W SINGLE MONITOR ARM CLINICIAN WORKSTATION (QTY. 65)

SK-A6

DRAWING TITLE

DRAWING NUMBER

SAN JOSE CBOC

PROJECT NAME

1/2" = 1'-0"

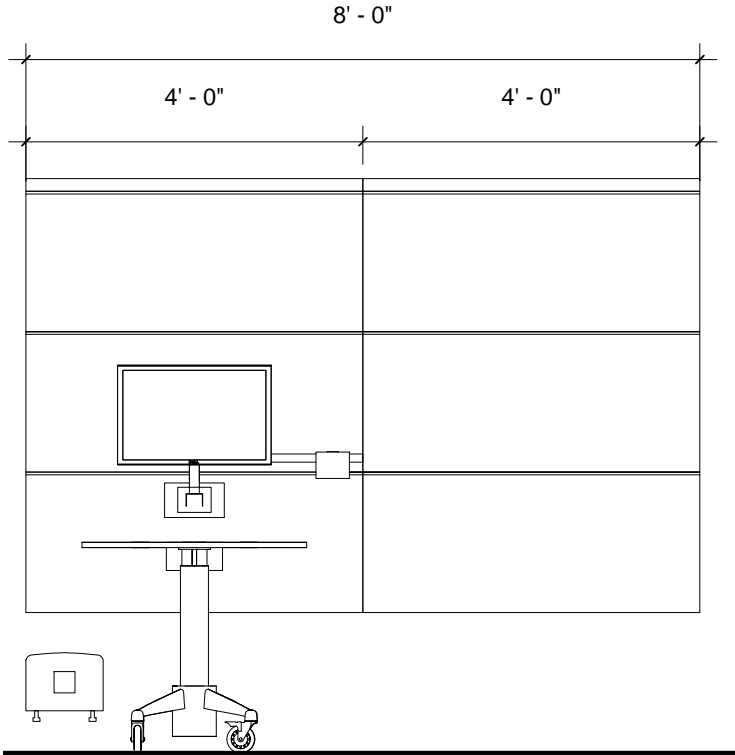
DRAWING SCALE

640-431

PROJECT NUMBER

07/13/2017

DATE



HERMAN MILLER COMPASS SYSTEM

TYPICAL: PRIMARY CARE, PODIATRY, CARDIOLOGY, AND WOMEN HEALTH, EXAM ROOM, PROCEDURE ROOMS, CONSULT ROOM,

SKETCH

98"W DUAL MONITOR ARM CLINICIAN WORKSTATION (QTY. 8)

SK-A7

DRAWING TITLE

DRAWING NUMBER

SAN JOSE CBOC

PROJECT NAME

1/2" = 1'-0"

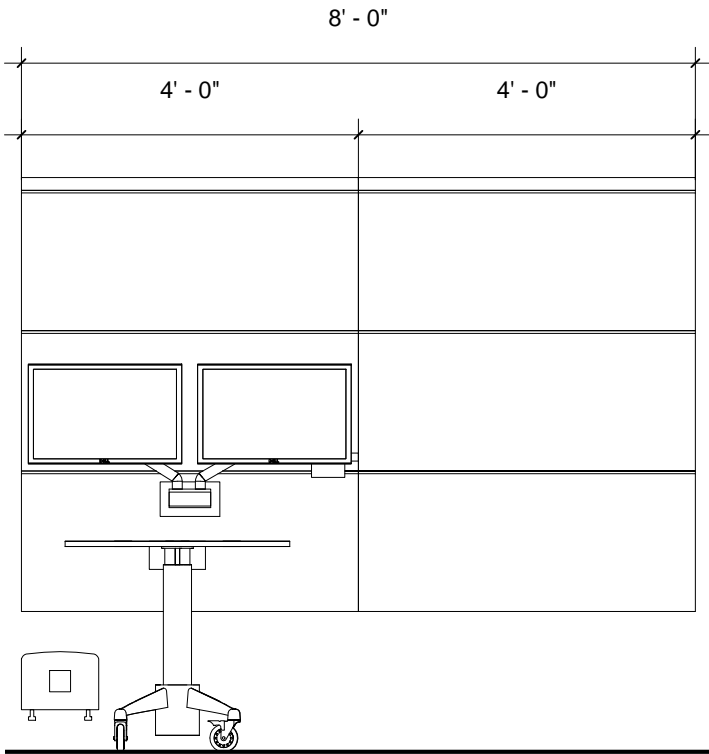
640-431

07/13/2017

DRAWING SCALE

PROJECT NUMBER

DATE



HERMAN MILLER COMPASS SYSTEM
TYPICAL: EYE EXAM ROOM

SKETCH

48"W SINGLE MONITOR ARM CLINICIAN WORKSTATION (QTY. 3)

SK-A8

DRAWING TITLE

DRAWING NUMBER

SAN JOSE CBOC

PROJECT NAME

1/2" = 1'-0"

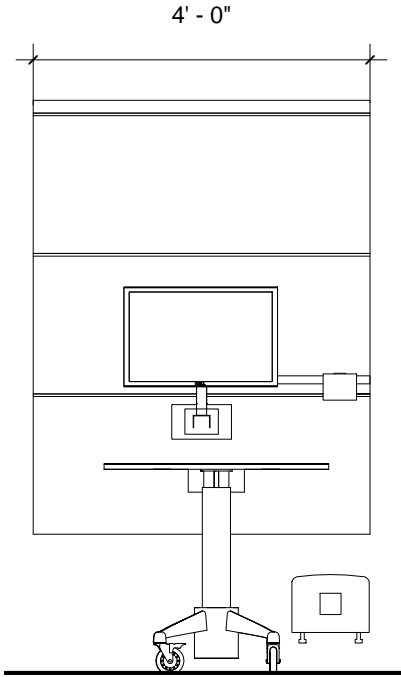
DRAWING SCALE

640-431

PROJECT NUMBER

07/13/2017

DATE



HERMAN MILLER COMPASS SYSTEM

TYPICAL: TREATMENT ROOMS, PRIVATE DRAWING AREA, ORTHOPEDICS,

SKETCH

48"W DUAL MONITOR ARM CLINICIAN WORKSTATION (QTY. 2)

SK-A9

DRAWING TITLE

DRAWING NUMBER

SAN JOSE CBOC

PROJECT NAME

1/2" = 1'-0"

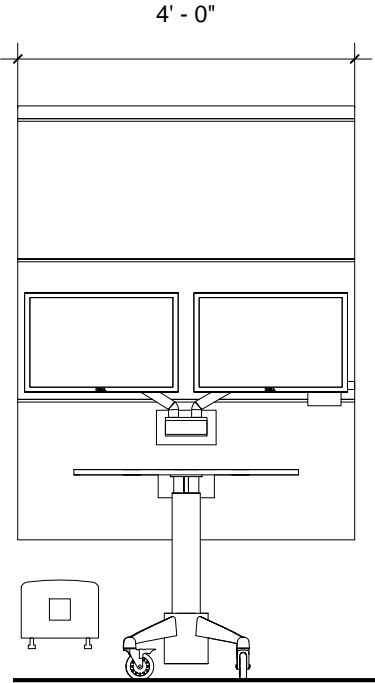
640-431

07/13/2017

DRAWING SCALE

PROJECT NUMBER

DATE



HERMAN MILLER COMPASS SYSTEM
ATYPICAL: EYE EXAM (VISUAL FIELD ROOM), & IMAGING ROOM