

ACCESS-ABLE DESIGNS, INC.

WWW.ACCESSABLEDESIGNS.COM

- first folding shower seat to have 4 adjustable legs of support
- stainless steel frame **holds up to 900 lbs.** with proper mounting and sufficient flooring (ADA 4.26.3 is only 250 lbs.)
- available with phenolic tops (shown) or padded naugahyde

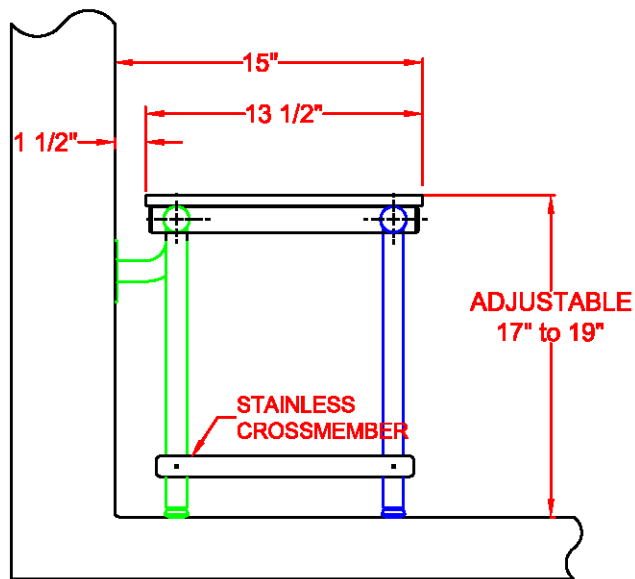
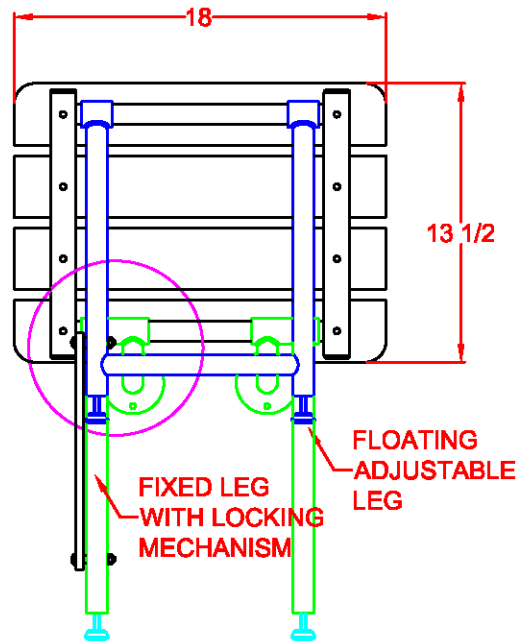


SHOWER BENCH SH-410-2SDL



- measures 18"W x 15" D
- folds up easily when not in use
- requires adequate wall-backing
- 5 year warranty

Access-Able Designs, Inc.
877-853-7816 toll-free
772-872-3200 fax
xsable@comcast.net



OPERATION:

Seat is automatically held in a raised position by a stainless cross member attached to the front and rear support legs. When seat is lowered into the down position, the swing down leg automatically aligns the front and rear support legs with the help of the stainless cross member.

ARCHITECTURAL SPECIFICATIONS:

SH-410-2SDL from Access-Able Designs at 494 53rd Square, Vero Beach, FL 32968
phone 877-853-7816 fax 772-872-3200.

FRAME: Type 304 (18-8) S.S. tube, 1-1/4" (32 mm) x 18ga. (1.2mm) sq. mainframe with 1" (25mm) x 18ga. (1.2mm) rd. cross members. Leg: "H"-shaped yoke of type 304 (18-8) S.S. tubing, 1" (25mm) x 18ga. (1.2mm) rd. tubing, Heliarc welded to 1-1/4" (32mm) rd. x 12ga. (2.7mm) frame hinge. The swing down legs automatically level when the seat is lowered to a horizontal sitting position. The seat automatically locks itself when raised into its "up" position with the use of the stainless cross member.

MATERIALS:

FRAME: Type 304 (18-8) SS tubing, 1-1/4" (32mm) x 18ga. (1.2mm) sq. main frame with 1" (25m) x 18ga. (1.2mm) rd. cross members.

WALL FLANGES (2): Type 304 (18-8) SS, 10ga. (3.4mm) x 3" (76mm) dia. Heliarc welded to 1" (25mm) rd. x 18ga. (1.2mm) 90 degree leg supports, and to 1-1/4" (32mm) rd. x 12ga. (1.7mm) frame hinge couplings. Three mounting holes in each flange.

SWING DOWN LEGS: "H" shaped yoke of type 304 (18-8) SS 1" dia. (25mm) x 18ga. (1.2mm) rd. tubing, heliarc welded to 1-1/4" (32mm) rd. x 12ga. (2.7mm) frame hinge couplings.

SEAT CHOICES (Designate when ordering)

NW or NA - White (NW) or Almond (NA) Naugahyde covering 2" (51mm) foam mounted on 1/2" (13mm) marine plywood.

PW or PT or PA - White (PW) or Teak (PT) or Almond (PA) finish Phenolic 1/2" (13mm) x 3" (76mm) slats bolted to frame with SS screws.

INSTALLATION:

All Shower Seats must only be installed using suitable fasteners and sufficient in-wall backing materials. ADA mounting height for seat in lowered position is 17" (432mm) to 19" (482mm).