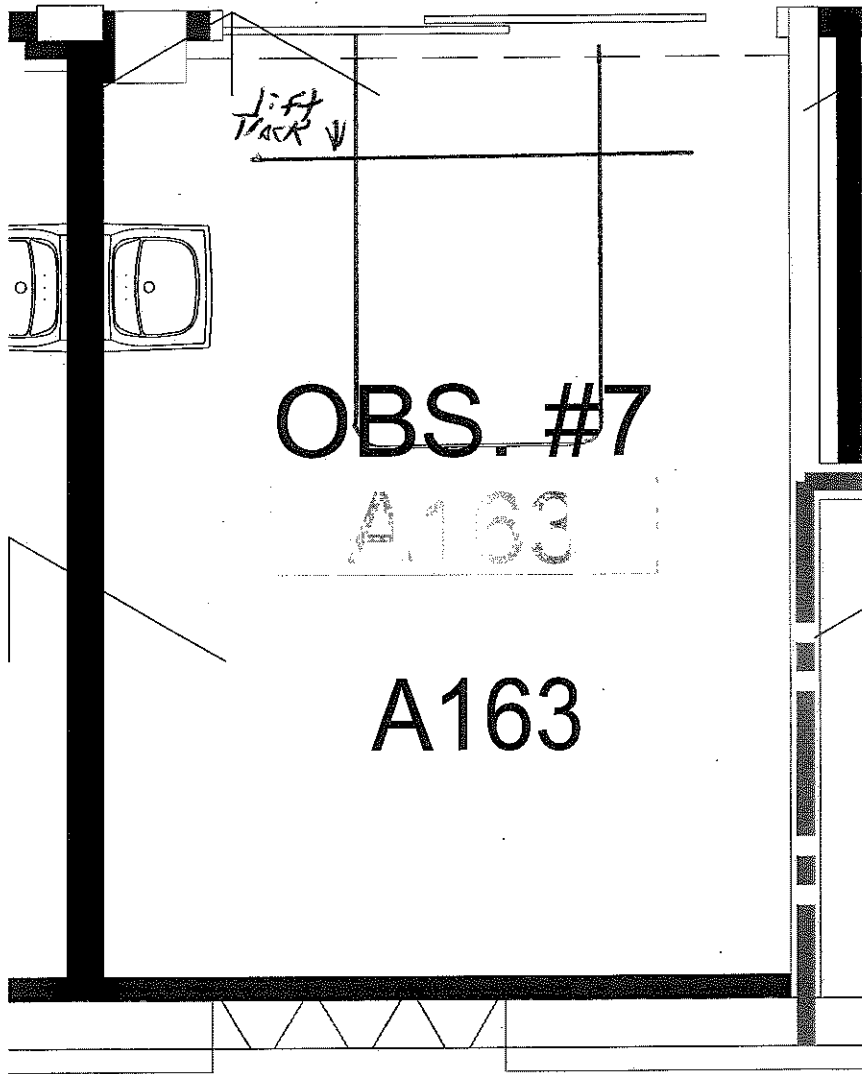
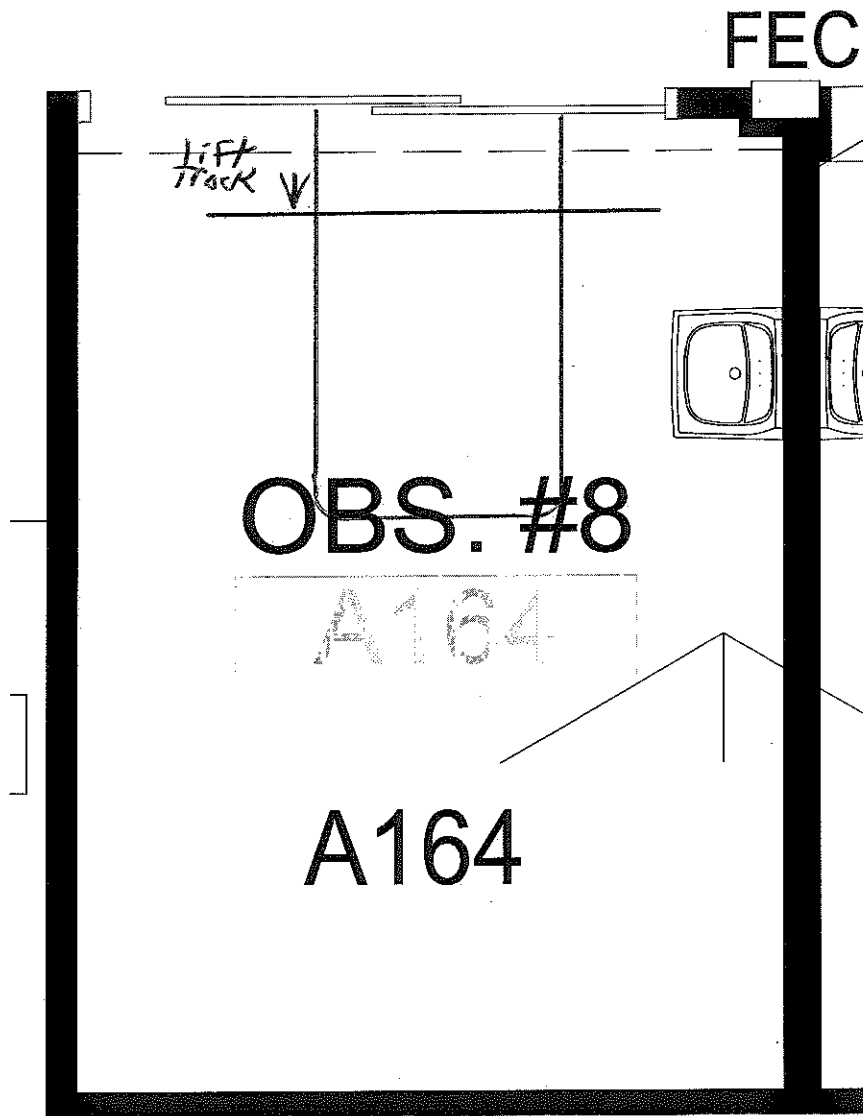
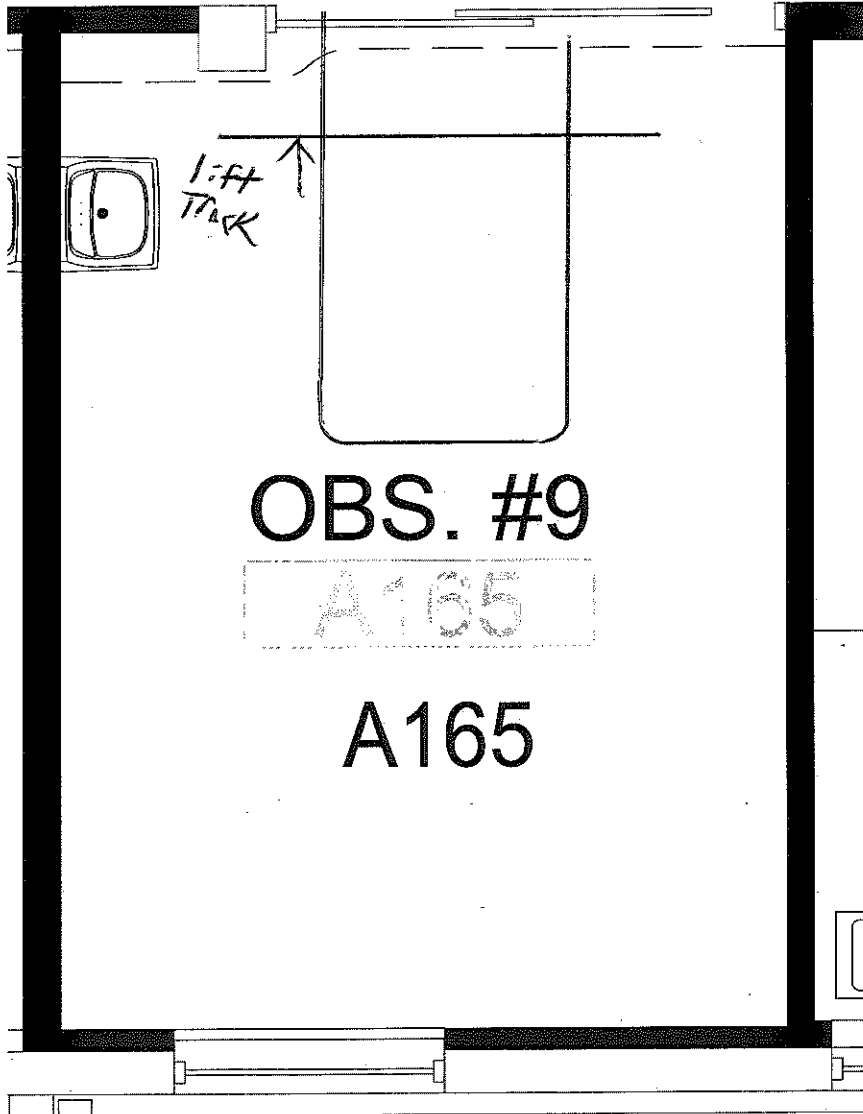


FEC



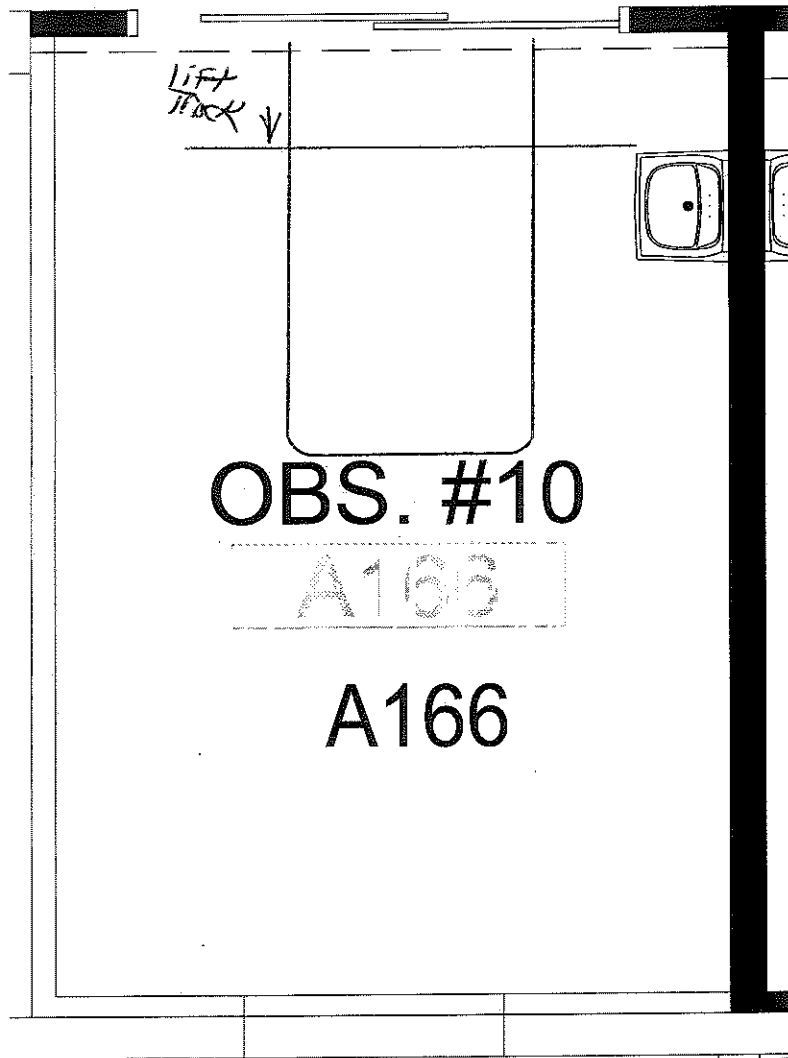




OBS. #9

A165

A165



Sample 1: FT

Part Designation

600 Ceiling Lift and Charger Station

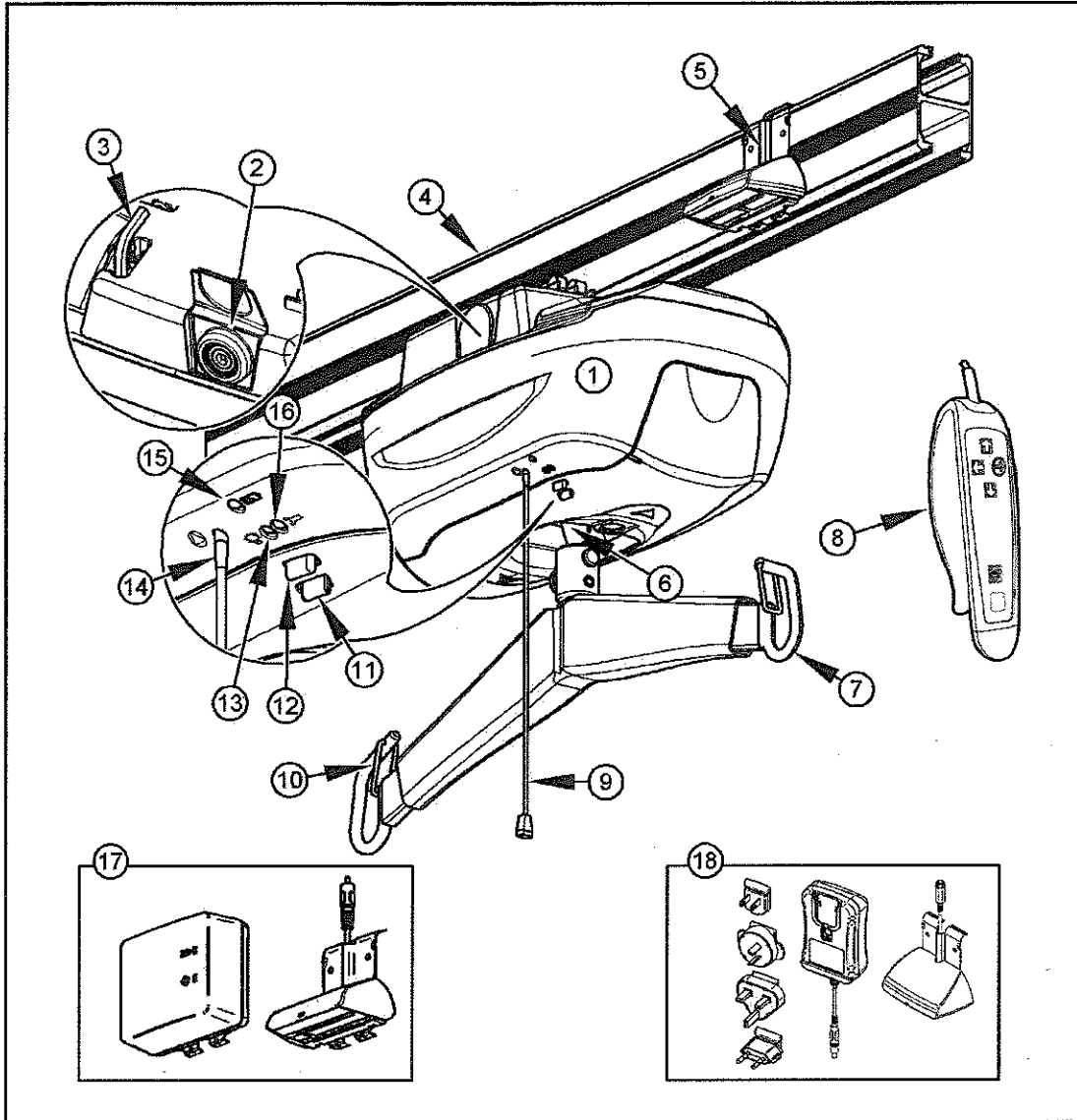


Fig. 4

Legend

- | | |
|---------------------------------|--|
| 1) Ceiling lift | 10) Safety latch |
| 2) Emergency lowering mechanism | 11) Up button |
| 3) Allen key | 12) Down button |
| 4) Track | 13) Green power light |
| 5) Charging station | 14) Emergency switch plastic insert |
| 6) Strap | 15) Yellow charging light |
| 7) Spreader bar | 16) Red maintenance/overload light |
| 8) Handset | 17) Cord-connected charger (700.15500) |
| 9) Red emergency pull cord | 18) Wall-adapted charger (700-15501) |