


LED ALF FLOOD FAMILY	Cat.#	 HUBBELL Outdoor Lighting
	Job	
Approvals		

SPECIFICATIONS

Intended Use:

ALF is excellent for small floodlighting applications such as signs, façade, landscape accent or small area illumination. The compact, low profile size allows the flood to be easily hidden or blend into the landscape environment.

Construction:

- Low copper extruded aluminum construction provides long life in outdoor ground mounted applications. Ribbed design adds styling while dissipating LED and driver heat, providing longer component life.
- Tempered and impact resistant glass lens with decorative silk screen seals to housing with silicone gasket
- Dark Bronze powder paint finish provides durable and lasting appearance

Optics/Electrical

LED:

- Six or twelve LEDs produce 905 or 1913 lumens at 5000K
- Wide 6 x 5 beam spread covers three times the set back distance with uniform light
- Universal voltage driver is 120-277V*, 50/60hz, with 10.1 input watts (ALF-6LU) 21.4 input watts (ALF-12LU)

*In Canada, ALF should be used for voltages 120-240 only

Installation:

- Knuckle mount: Universal ½" swivel knuckle has serrated teeth for sure aiming. Knuckle threads are brass insuring quality installation and corrosion resistance
- Wall mount: Cast aluminum cover/quick mount plate and universal adapter allows easy installation to 3-½" or 4" standard junction boxes

Listings:

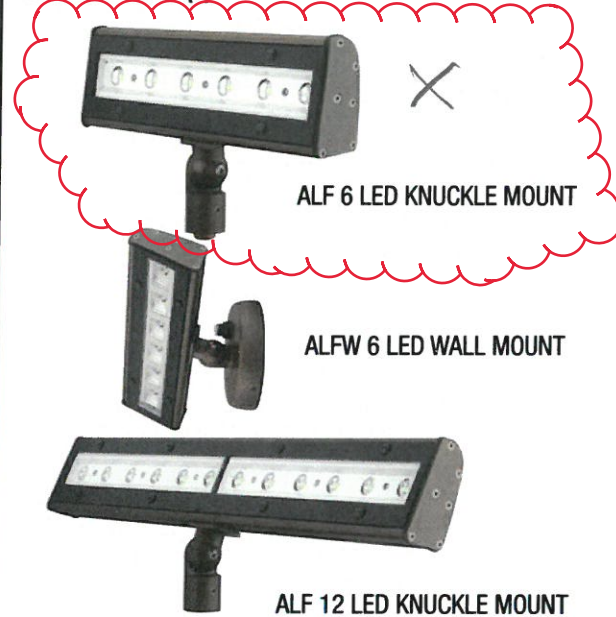
Listed to UL 1598 for use in wet locations

- ALF-6 IP65 • ALF-12 IP64

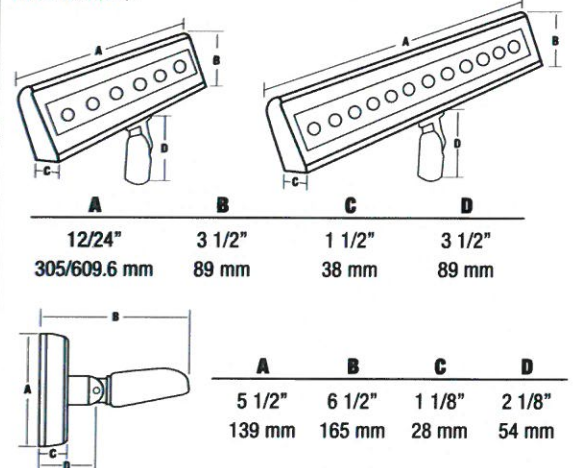
Warranty:

Five year limited warranty (for more information visit: <http://www.hubbelloutdoor.com/resources/warranty/>)

PRODUCT IMAGE(S)



DIMENSIONS



CERTIFICATIONS/ LISTINGS



IP64
IP65

SHIPPING INFORMATION

Catalog Number	G.W(kg)/CTN	Carton Dimensions			Carton Qty. per Master Pack
		Length Inch (cm)	Width Inch (cm)	Height Inch (cm)	
ALF-6LU	9.7 (4.4)	18.5 (47)	14.3 (36.5)	5.7 (14.5)	2
ALFW-6LU-PC	11.4 (5.2)	18.5 (47)	14.3 (36.5)	5.7 (14.5)	2
ALF-12LU	6.5 (2.97)	24.8 (63)	8.8 (22.5)	3.14 (8)	1

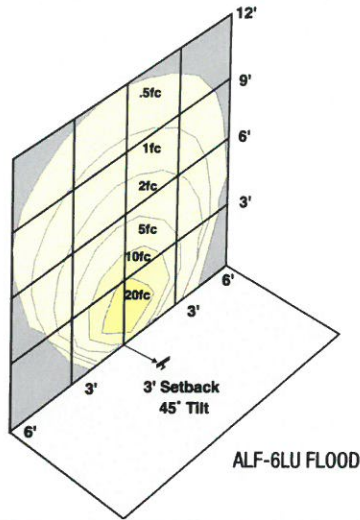
ORDERING INFORMATION

ORDERING EXAMPLE: ALF-6LU-5K-BZ

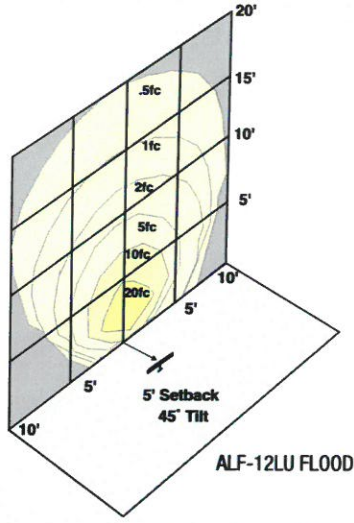
Catalog Number	Wattage	Number of LEDs	Voltage ¹	Lumens	Life	LPW	CCT	Weight lbs. (kg)
1/2" KNUCKLE MOUNT								
ALF-6LU-5K-BZ	10.1	6	120-277V	905	50,000 hrs	90	5000K	4.0 (1.8)
ALF-12LU-5K-BZ	21.4	12	120-277V	1913	50,000 hrs	89	5000K	8.0 (3.6)
WALLMOUNT								
ALFW-6LU-5K-BZ-PC	10.7	6	120V	510	50,000 hrs	48	5000K	4.5 (2.0)

¹ Unit should not be used above 240V in Canada

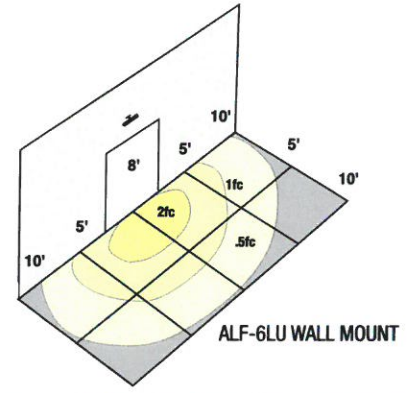
PHOTOMETRICS



ALF-6LU FLOOD



ALF-12LU FLOOD



ALF-6LU WALL MOUNT

PERFORMANCE DATA

# OF LEDS	DRIVE CURRENT	CCT	LUMENS	BEAM (H X V)	LPW ¹
6	STD. (470mA)	5K	905	6 x 5	90
12	STD. (470mA)	5K	1913	6 x 5	89

Lumen values are from photometric tests performed in accordance with IESNA LM-79-08. Data is considered to be representative of the configurations shown. Actual performance may differ as a result of end-user environment and application.

ELECTRICAL DATA

# OF LEDS	DRIVE CURRENT (mA)	INPUT VOLTAGE (V)	SYSTEM POWER (w)	CURRENT (Amps)	POWER FACTOR
6	STD. (470mA)	120	10.1	.09	.97
		277	12.5	.06	.78
12	STD. (470mA)	120	21.0	.18	.98
		277	25.5	.12	.78