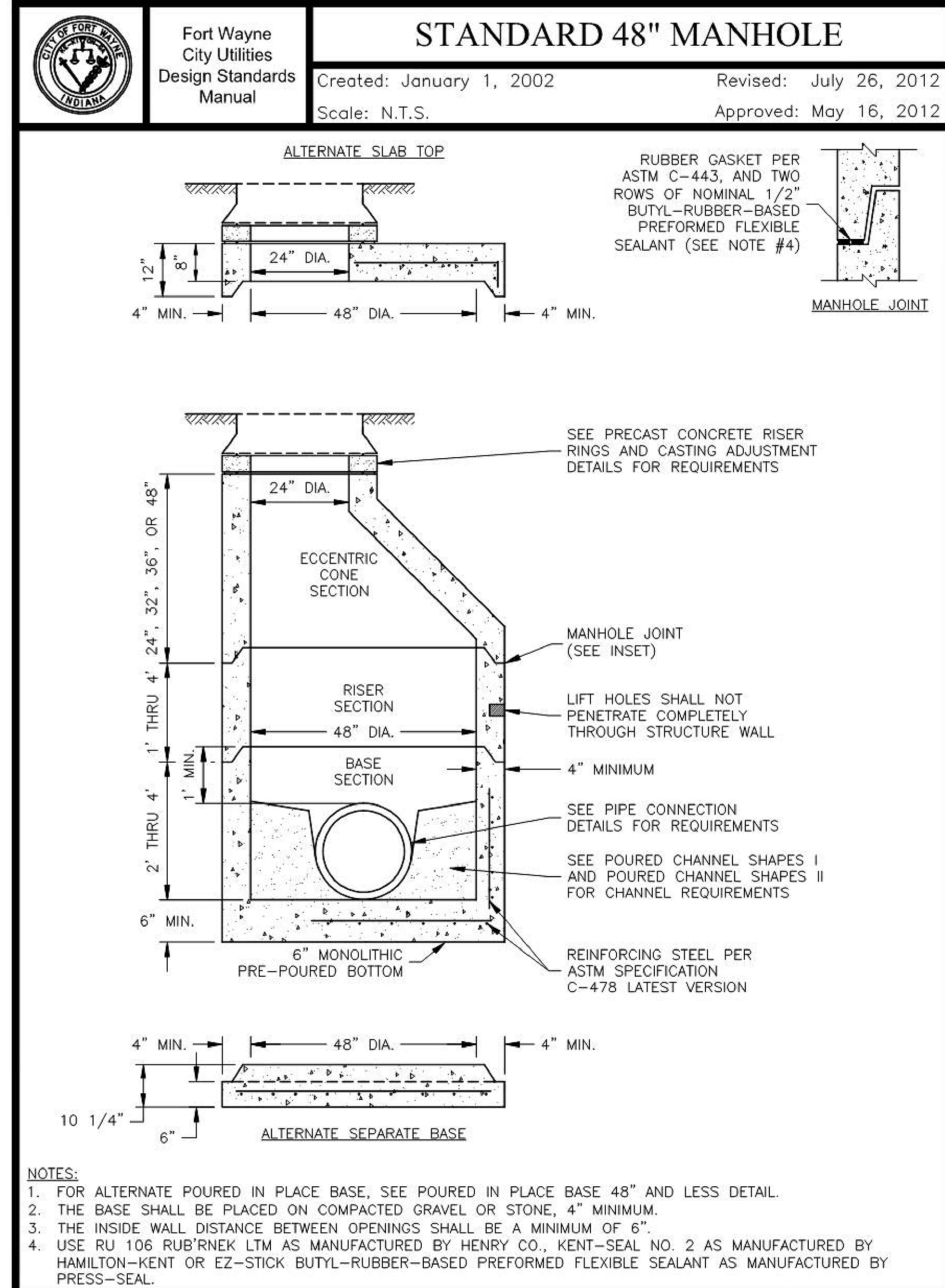
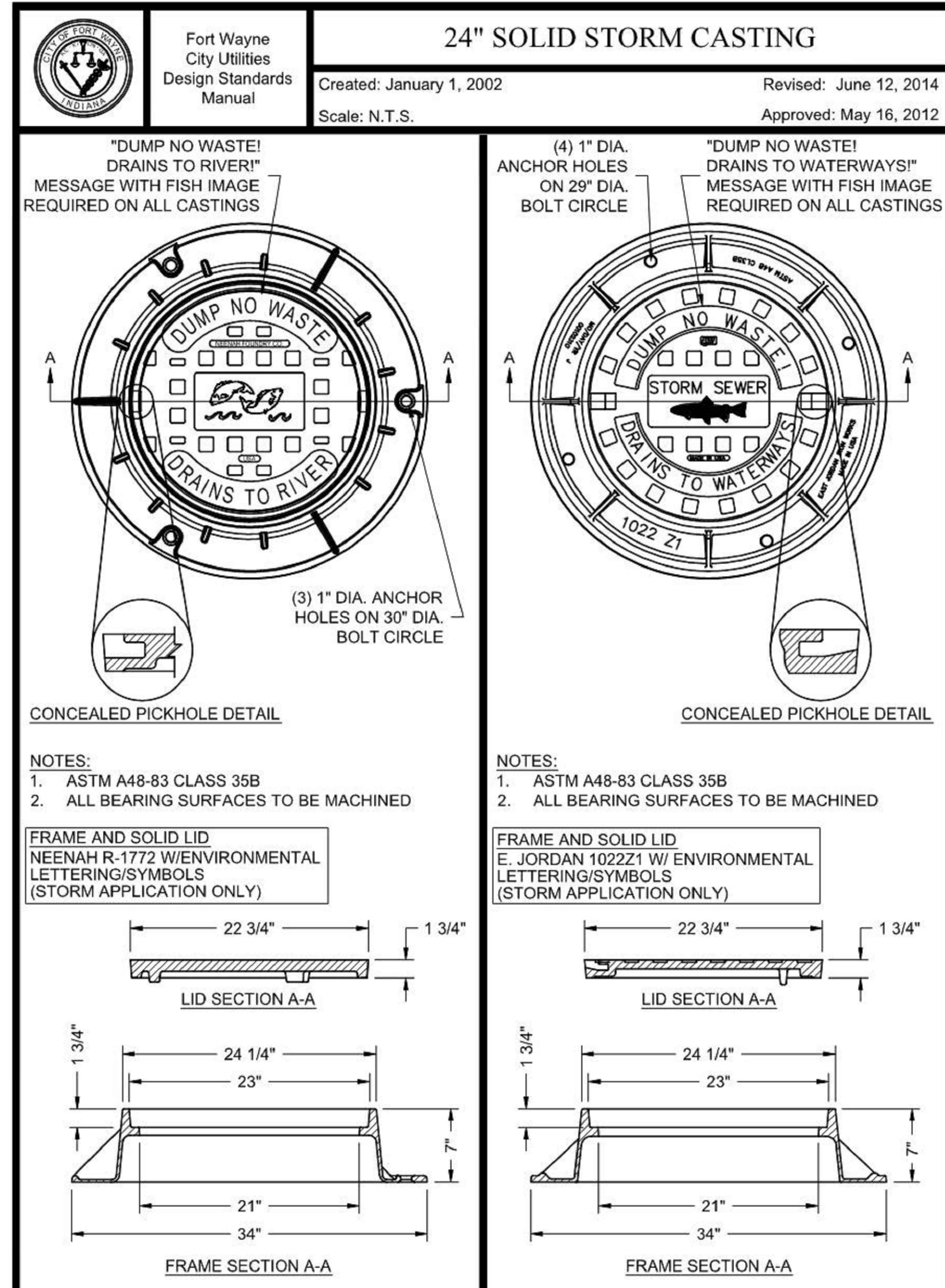


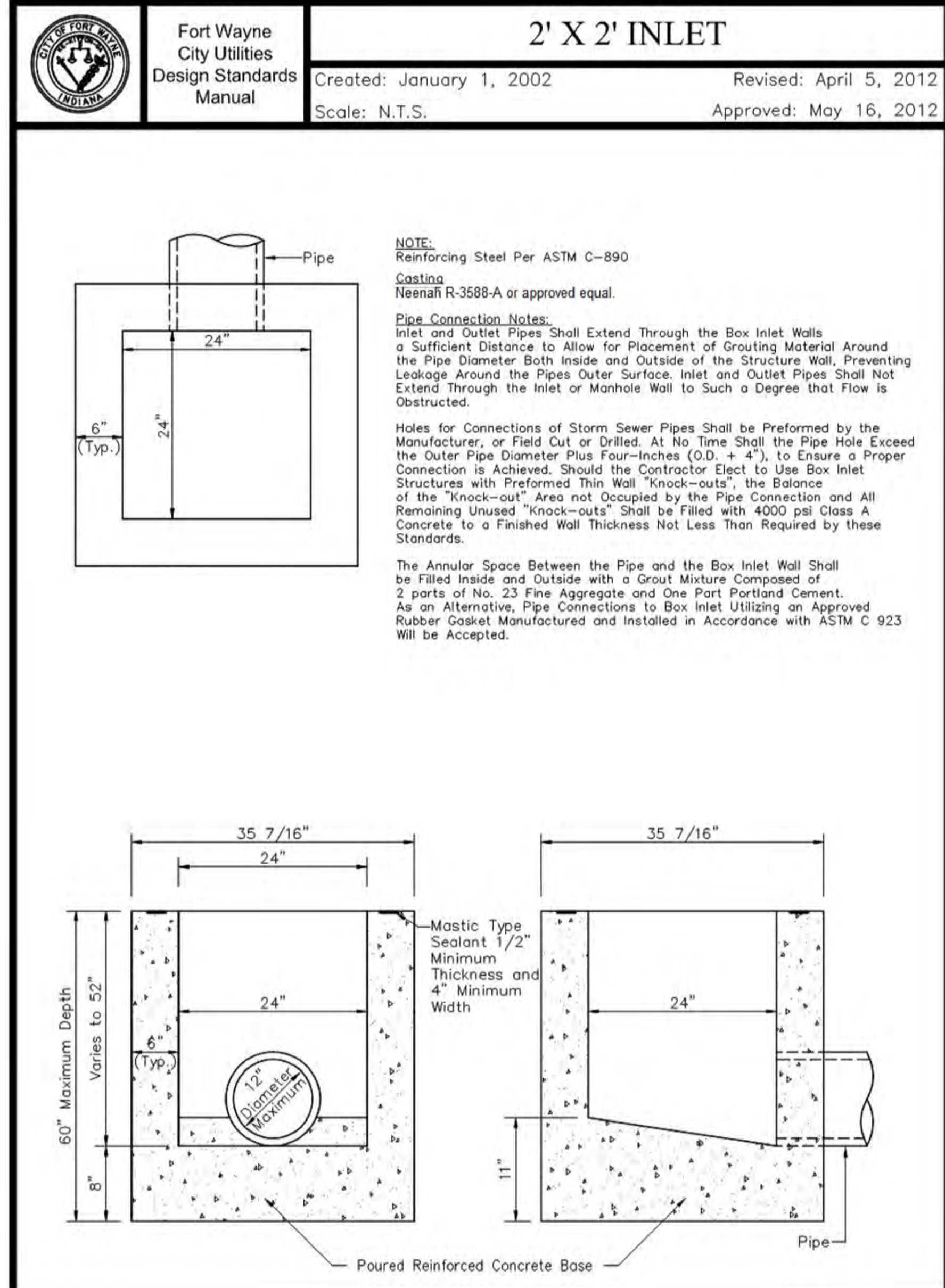
three inches = one foot
 one and one half inches = one foot
 one inch = one foot
 three quarters inch = one foot
 one half inch = one foot
 three eighths inch = one foot
 one quarter inch = one foot
 one eighth inch = one foot
 one sixteenth inch = one foot



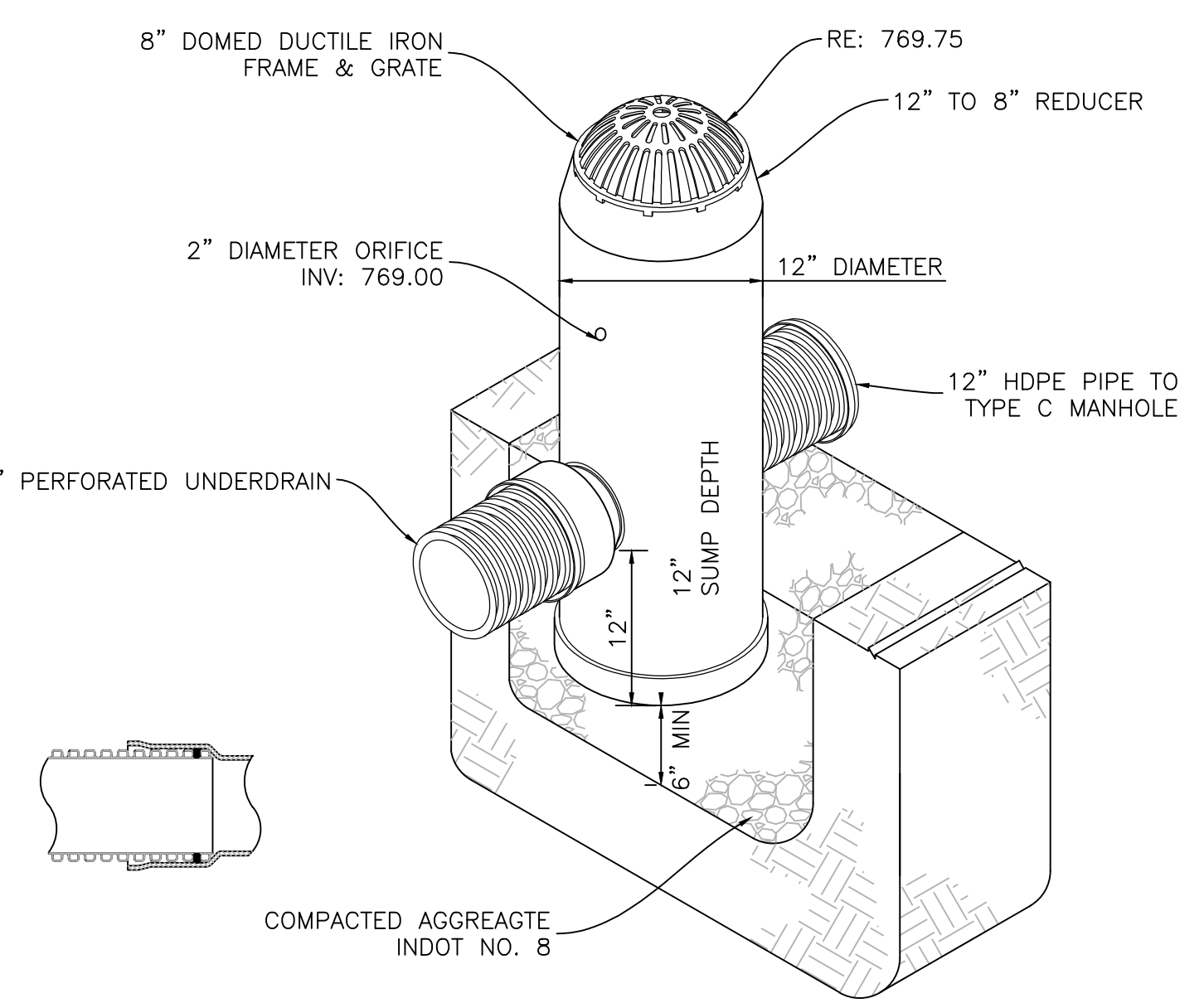
CU1 TYPE C MANHOLE



CU2 24\"/>



CU3 2\"/>



CU4 CONTROL STRUCTURE

100% CONSTRUCTION DOCUMENTS

Revisions:	Date

CONSULTANTS:	



ARCHITECT/ENGINEERS:

APOGEE Consulting Group, PA
 Raleigh, NC
 Indianapolis, IN
 Philadelphia, PA
 Pittsburgh, PA
 Virginia Beach, VA
 Fort Collins, CO
 www.apogee-pa.com
 (819) 859-7420
 Apogee Project # 2014 121

GUIDON DESIGN
 Civil / Structural Engineer
 805 N. Capitol Avenue, STE. 10030
 Indianapolis, IN 46205
 Tel. (317) 930-6388

Drawing Title	UTILITY DETAILS
Approved: Project Director	

Project Title	REPLACE MAIN ELECTRICAL TO OUT BUILDINGS
Location	FORT WAYNE, IN
Date	9/18/2015
Checked	KJC
Drawn	CMB

Project Number	610A4-12-188
Building Numbers	1,3,5,6,7,10,T4,T5,T6
Drawing Number	CU501
Dwg.	14 of 48

Office of Construction and Facilities Management
 Department of Veterans Affairs