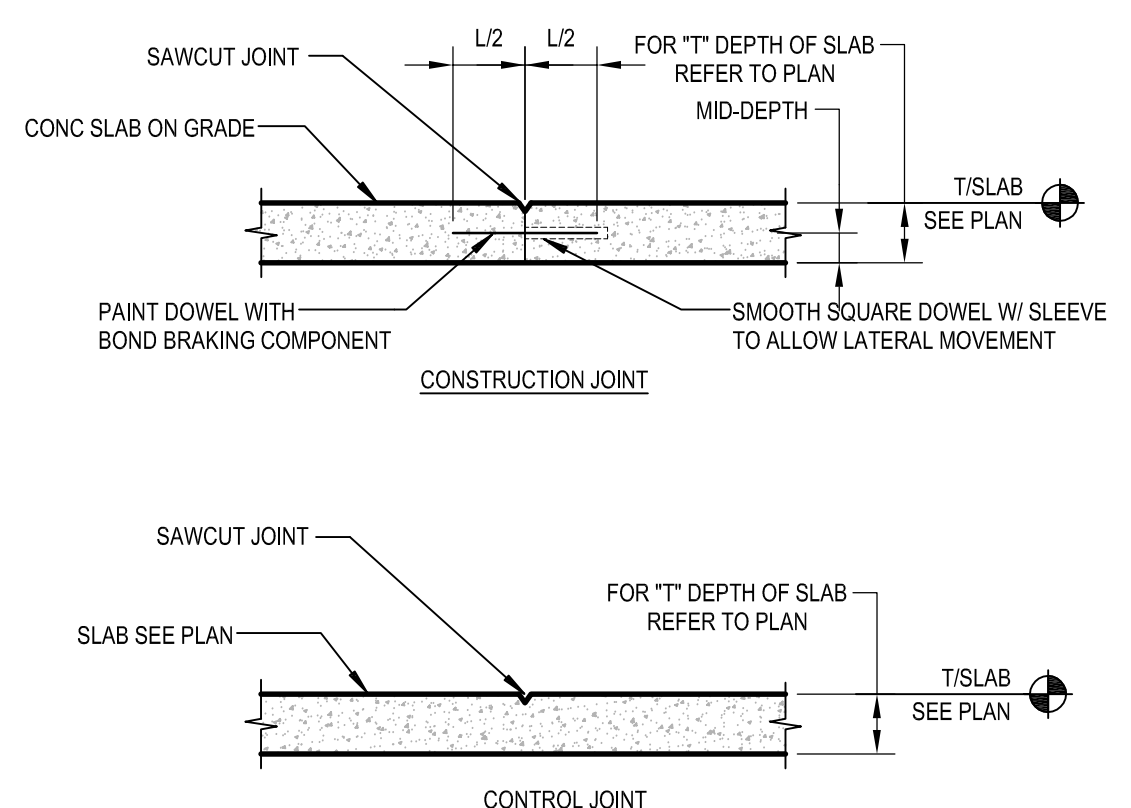
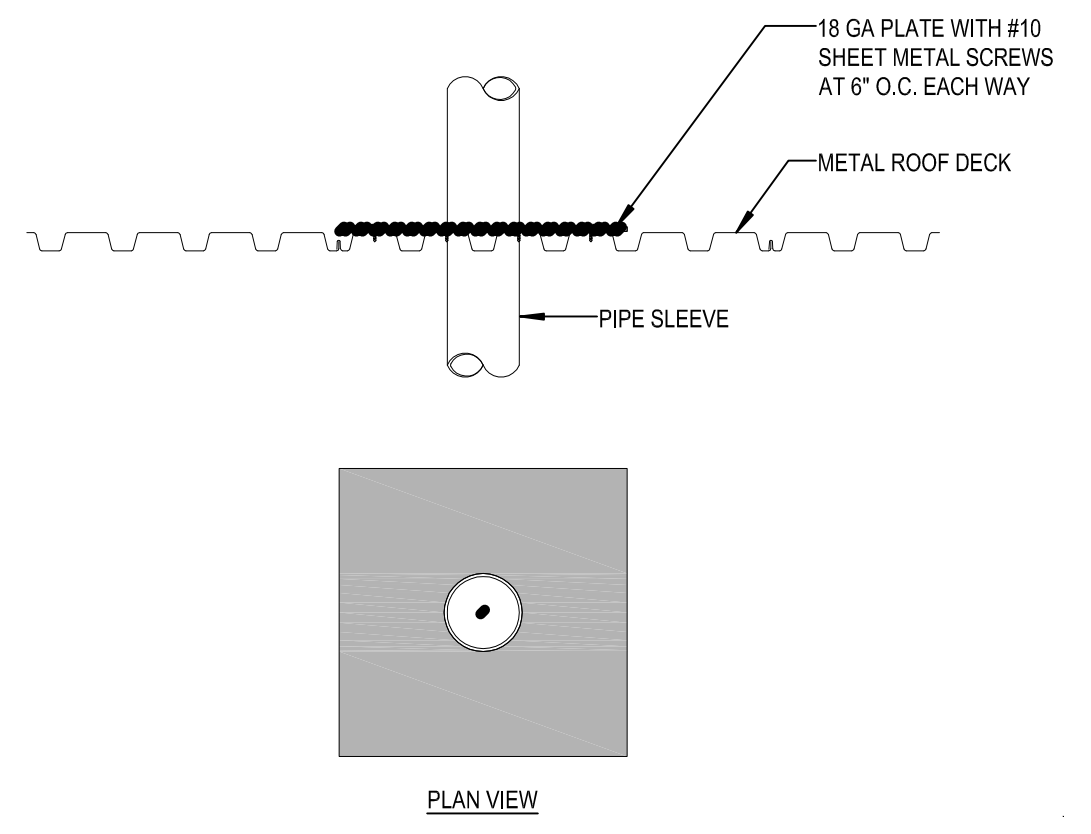


**11 NEW STAIRS AT BUILDING 1**  
3/4" = 1'-0"

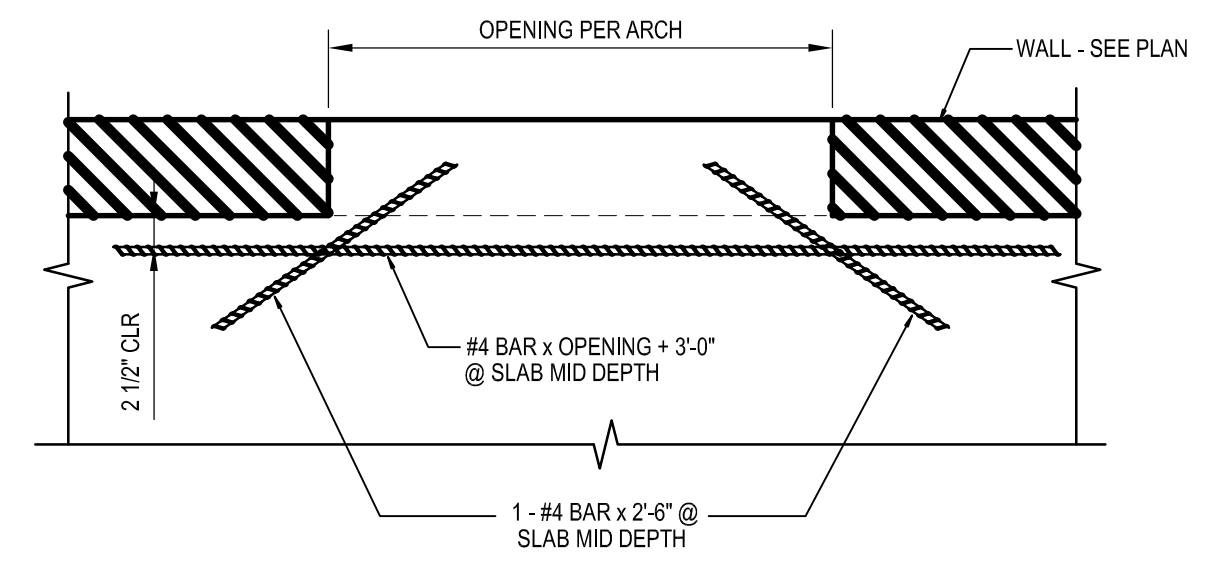


**12 TYPICAL SLAB ON GRADE JOINTS**  
3/4" = 1'-0"

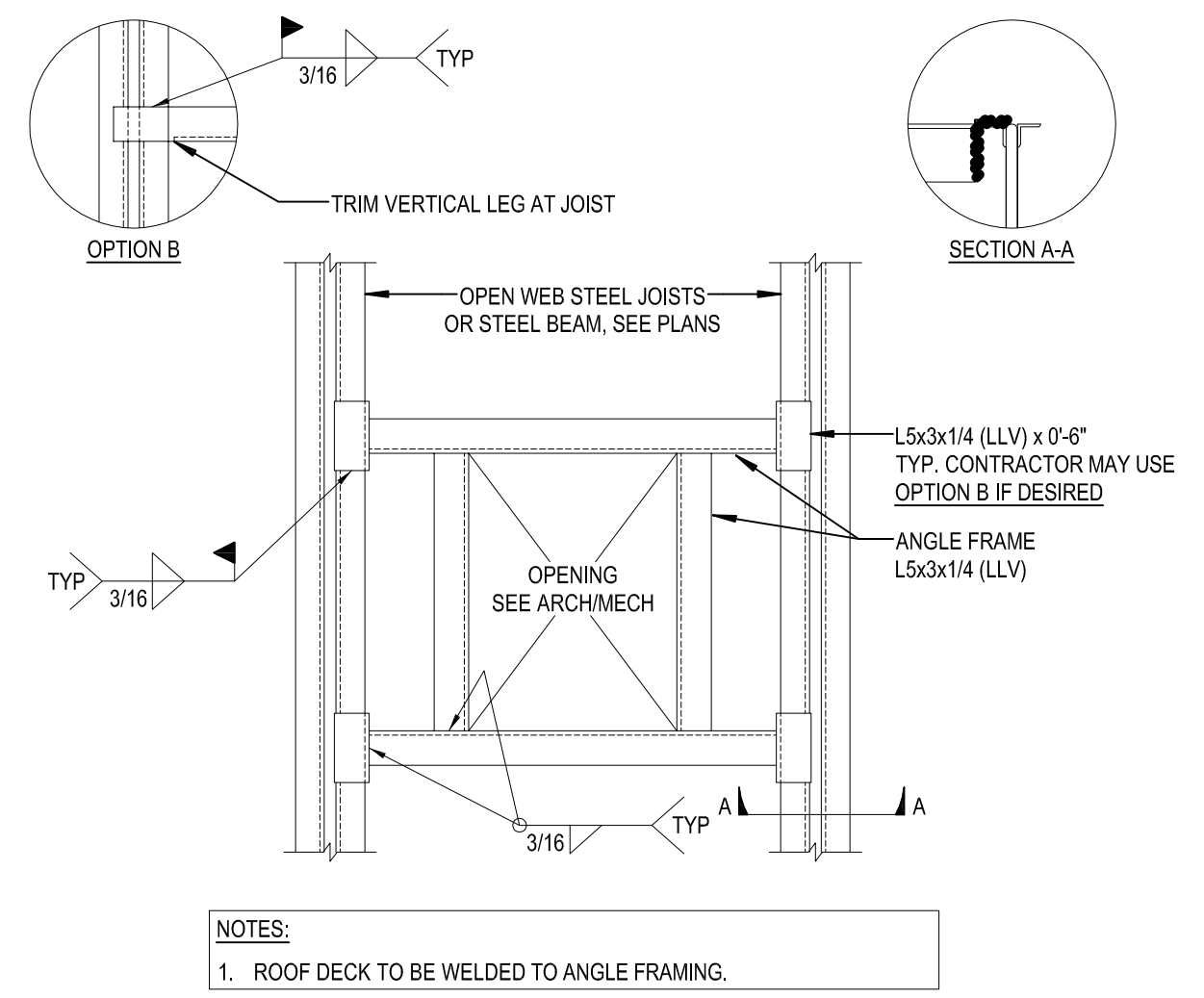
DOWEL SIZE AND SPACING			
SLAB DEPTH	DOWEL DIAMETER	TOTAL DOWEL LENGTH	DOWEL SPACING CENTER TO CENTER
IN	IN	IN	IN
4	3/4	16	24
5-6	3/4	16	12
7-8	1	18	12
9-11	1 1/4	18	12



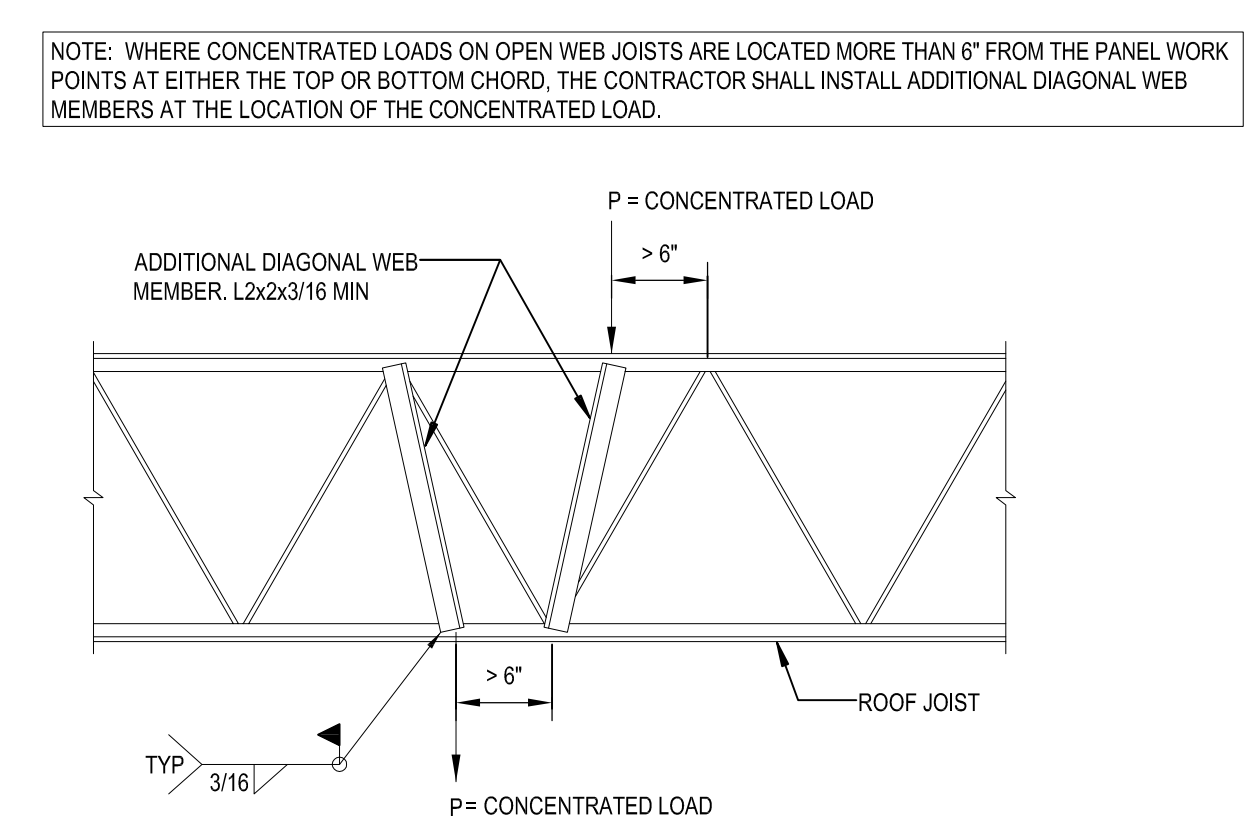
**13 TYPICAL PIPE SLEEVE THROUGH ROOF DECK**  
3/4" = 1'-0"



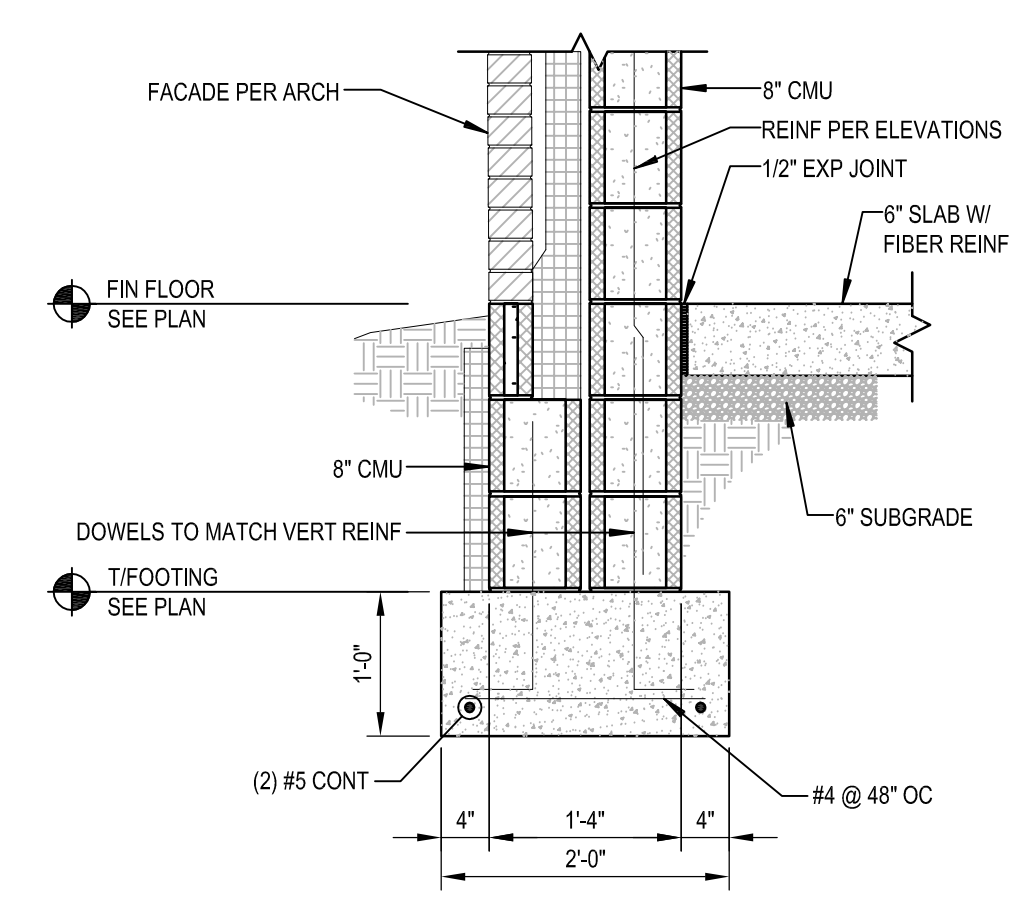
**14 ADDITIONAL REINFORCING AT DOORS**  
3/4" = 1'-0"



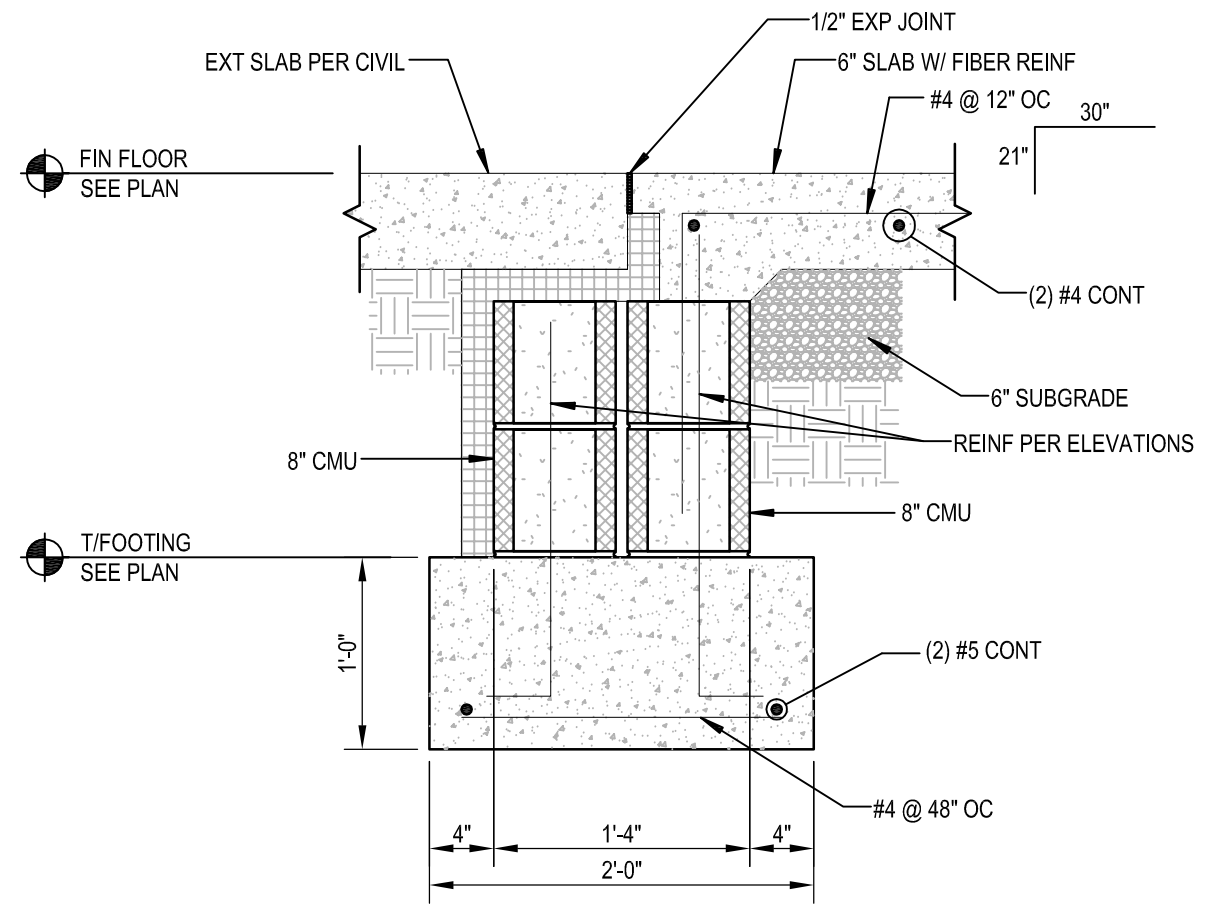
**15 TYPICAL ROOF ROOF OPENING DETAIL**  
3/4" = 1'-0"



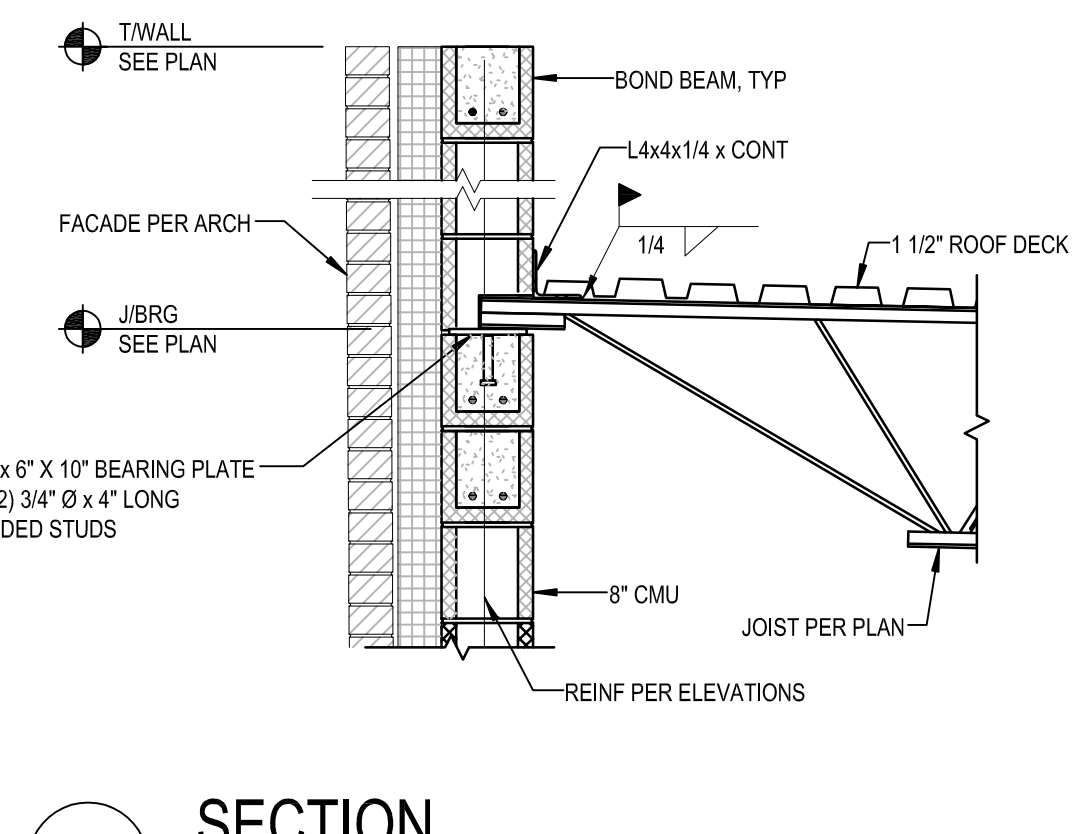
**16 TYPICAL JOIST REINFORCING DETAIL FOR LOADS**  
3/4" = 1'-0"



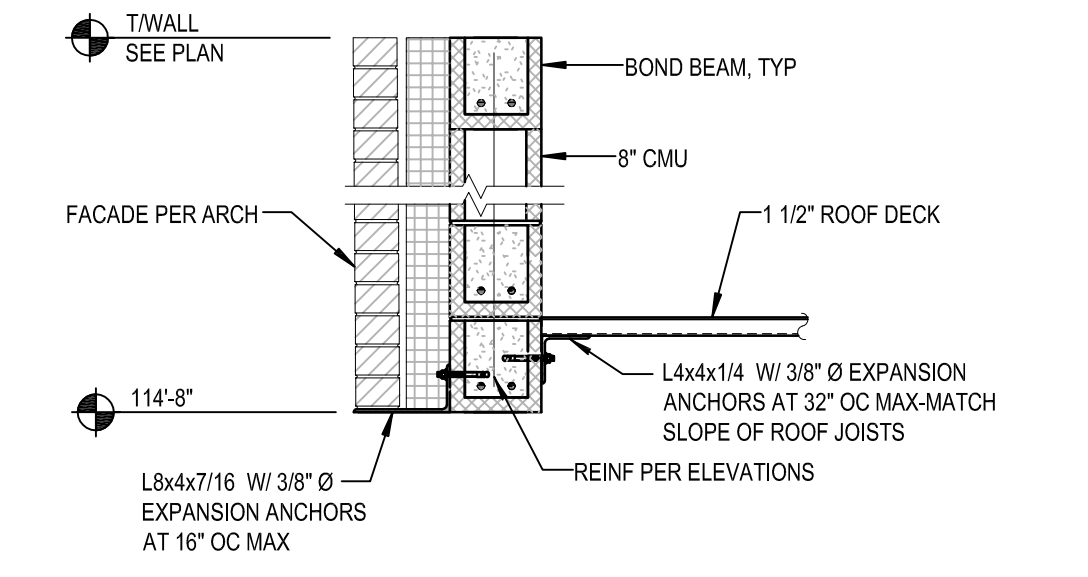
**7 SECTION**  
3/4" = 1'-0"



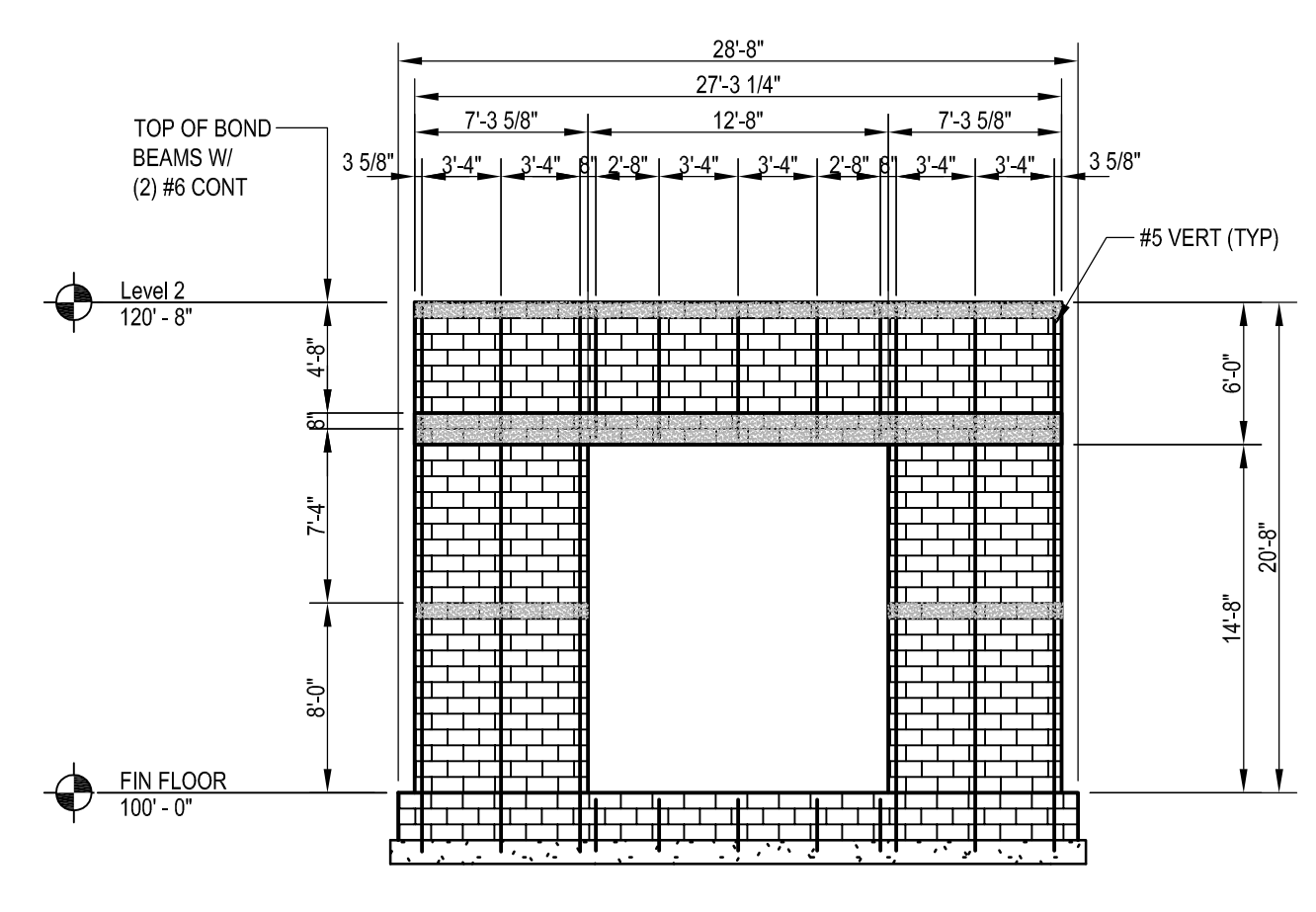
**8 SECTION**  
1" = 1'-0"



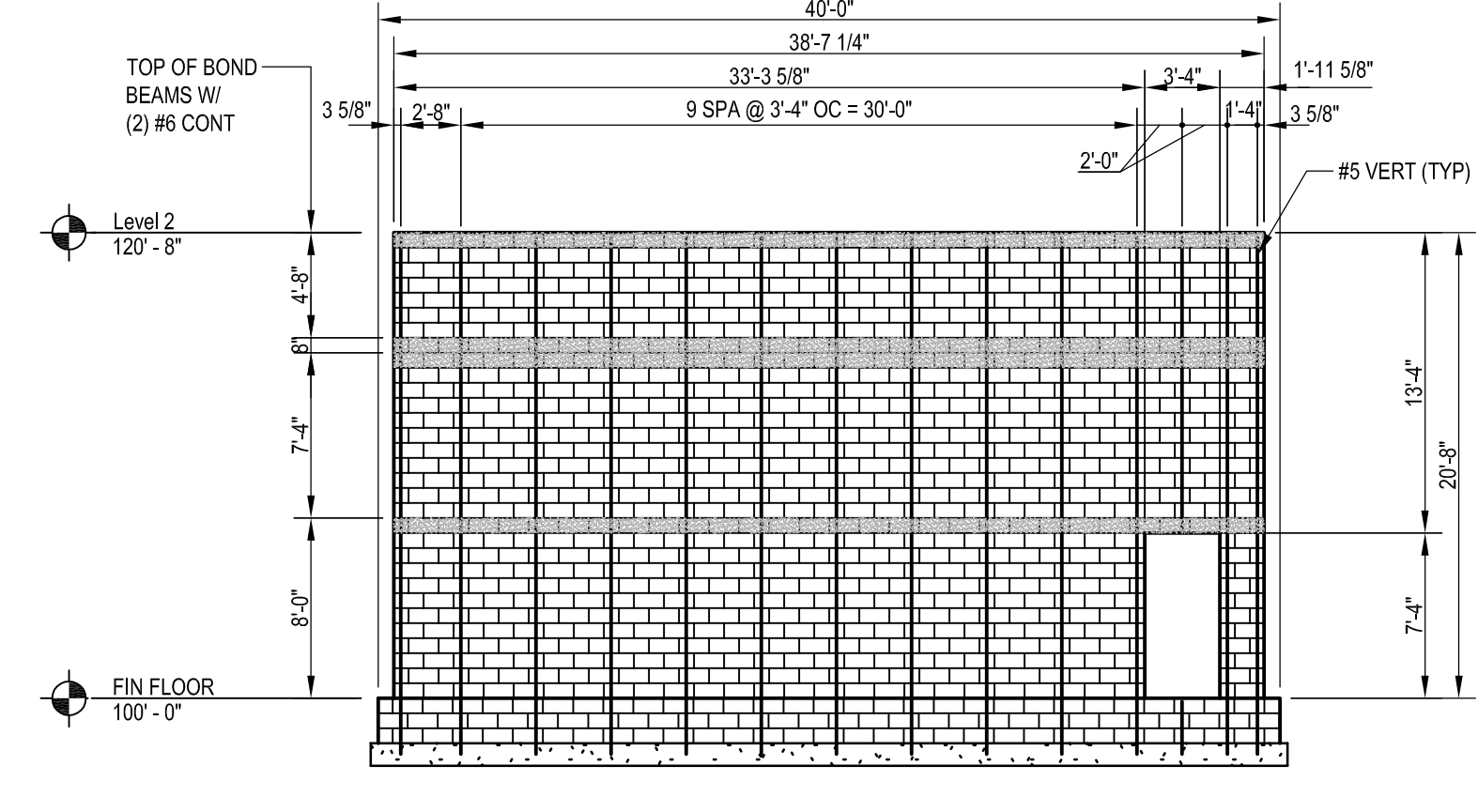
**9 SECTION**  
3/4" = 1'-0"



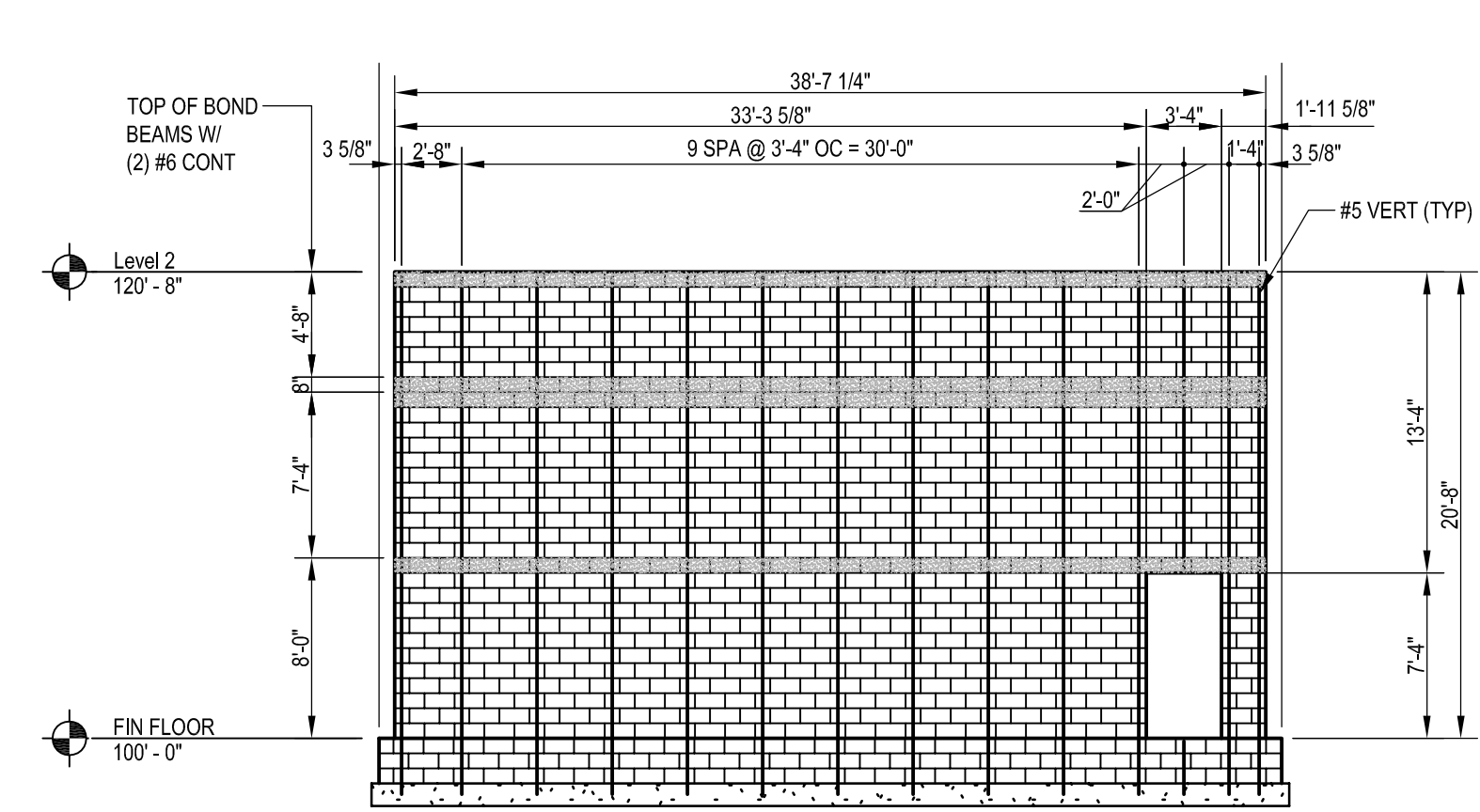
**10 SECTION**  
3/4" = 1'-0"



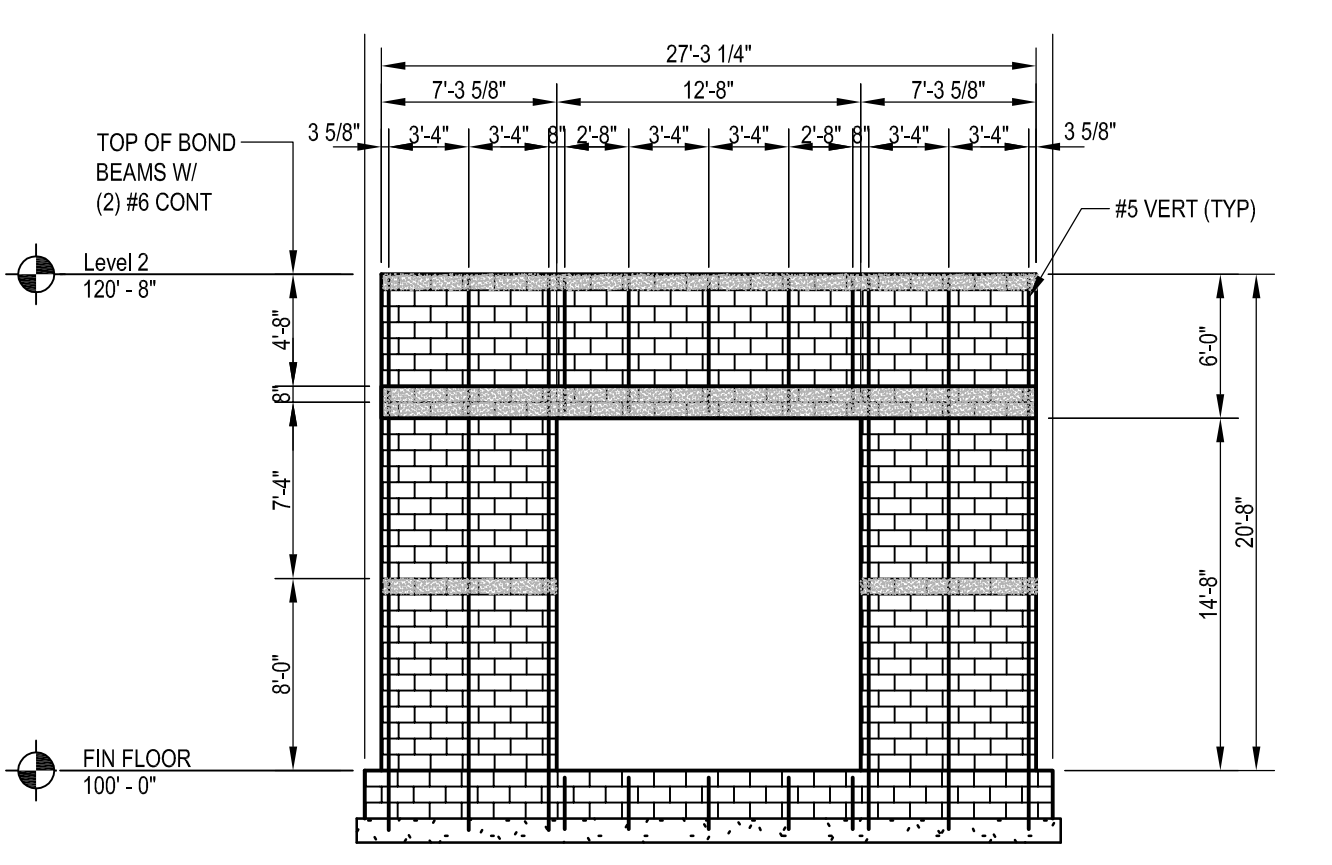
**3 ELEVATION**  
1/8" = 1'-0"



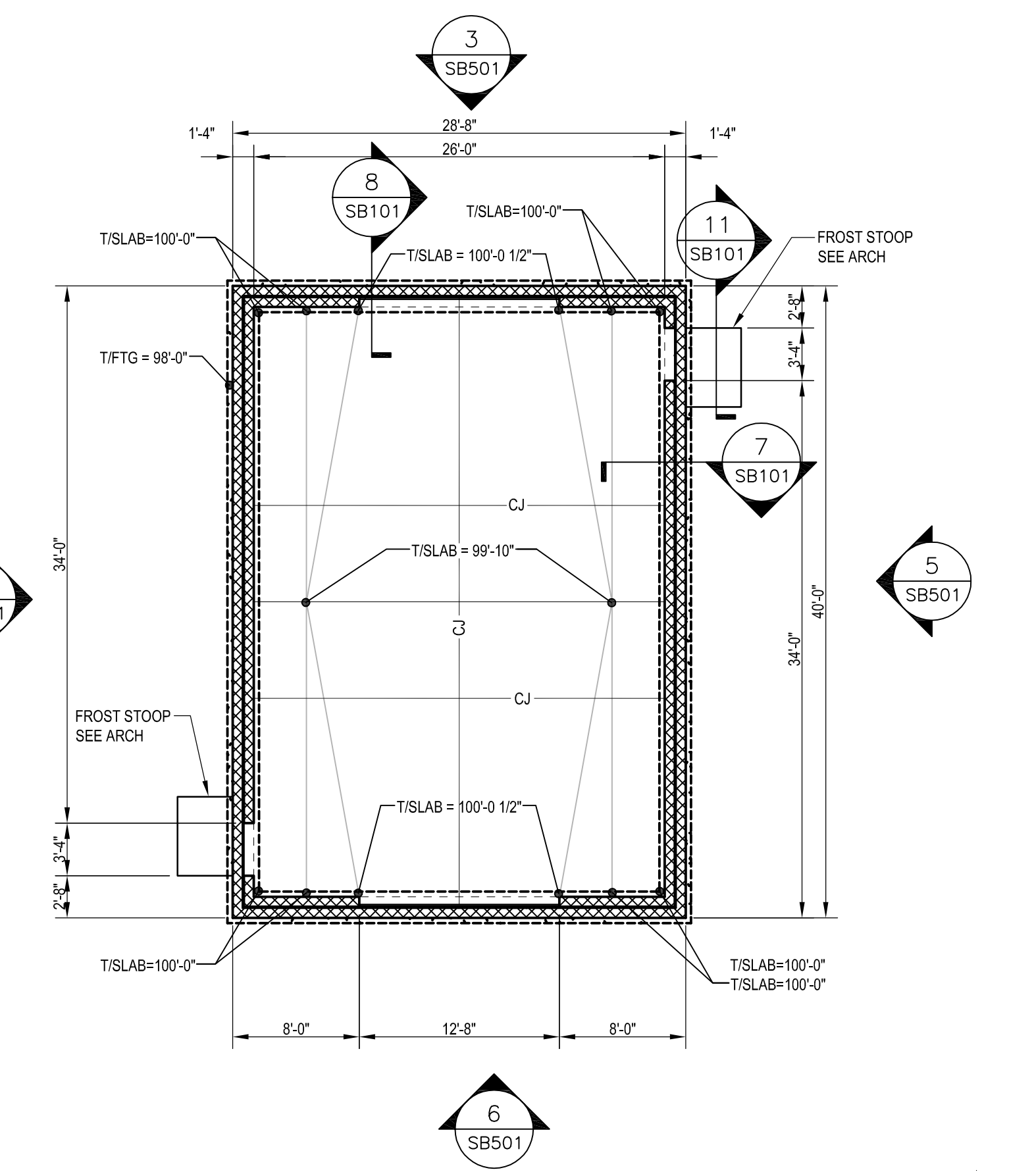
**4 ELEVATION**  
1/8" = 1'-0"



**5 ELEVATION**  
1/8" = 1'-0"

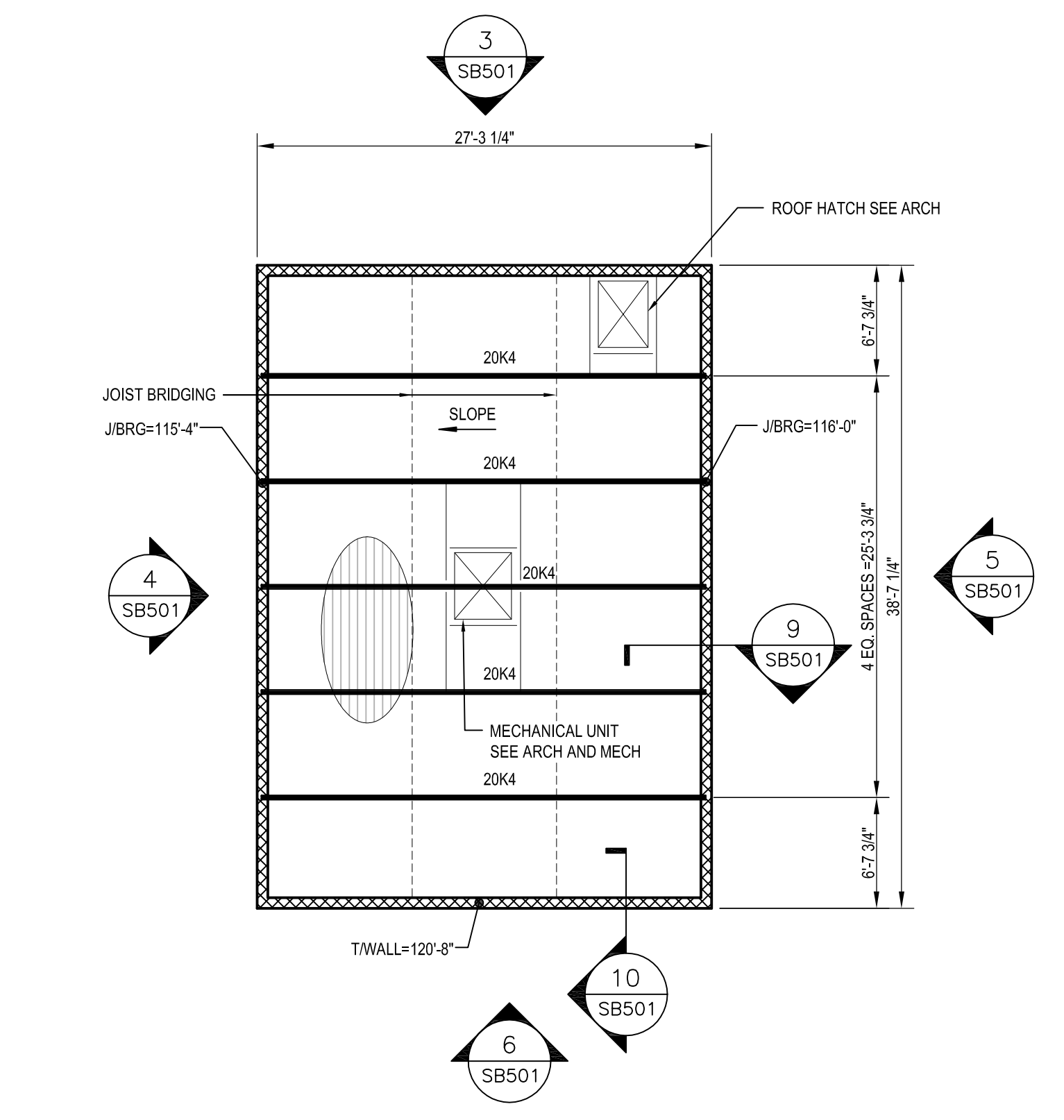


**6 ELEVATION**  
1/8" = 1'-0"

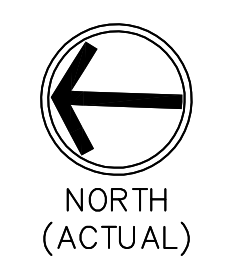


**1 FOUNDATION PLAN**  
1/8" = 1'-0"

NOTES:  
 1. FINISH FLOOR ELEVATION VARIES. REFERENCE ELEVATION (FIN FLR) = 100'-0". ELEVATION 100'-0" = USGS 772.10'.  
 2. TOP OF FOOTING ELEVATION = 98'-0" UNO.  
 3. SEE SMO1 FOR ABBREVIATIONS, SYMBOLS & LEGENDS.  
 4. SEE SMO2 FOR GENERAL STRUCTURAL NOTES & DESIGN LOAD INFORMATION.  
 5. REFERENCE ARCHITECTURAL DRAWINGS FOR LOCATIONS AND SIZES OF DOOR OPENINGS, STAIRS, DOWNSPOUTS RECESSES, ETC.  
 6. SEE PLUMBING DRAWINGS FOR LOCATION OF DOWNSPOUTS.  
 7. PROVIDE TRAFFIC SEALANT AT CONTROL JOINTS.



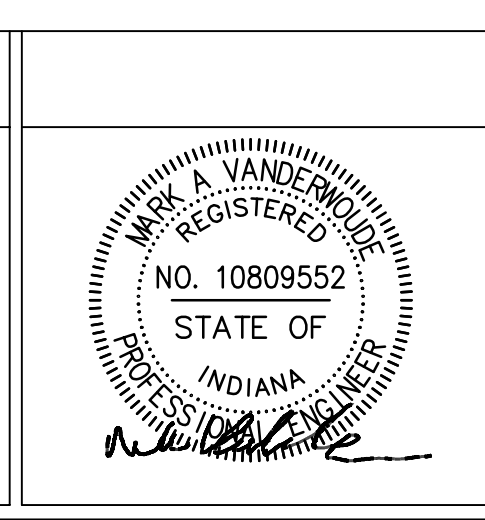
**2 ROOF FRAMING PLAN**  
1/8" = 1'-0"



100% CONSTRUCTION DOCUMENTS

Revisions:	Date

**CONSULTANTS:**



**ARCHITECT/ENGINEERS:**  
**APOGEE**  
 Consulting Group, PA  
 www.acg-pa.com  
 Apogee Project # 2014 121



Civil/Structural Engineer  
**GUIDON**  
 DESIGN  
 805 N Capitol Avenue, STE 100  
 Indianapolis, IN 46225  
 Tel: (317) 800-6388

Drawing Title  
**FOUNDATION AND FRAMING PLANS, SECTIONS + ELEVATIONS**  
 Approved: Project Director

Project Title  
**REPLACE MAIN ELECTRICAL TO OUT-BUILDINGS**  
 Location  
**FORT WAYNE, IN**  
 Date  
 9/18/2015  
 Checked  
 MAV  
 Drawn  
 WJT

Project Number  
 610A4-12-188  
 Building Numbers  
 1,3,5,6,7,10,T4,T5,T6  
 Drawing Number  
**SB101**  
 Dwg. 20 of 48

Office of  
**Construction and Facilities Management**  
 Department of  
 Veterans Affairs