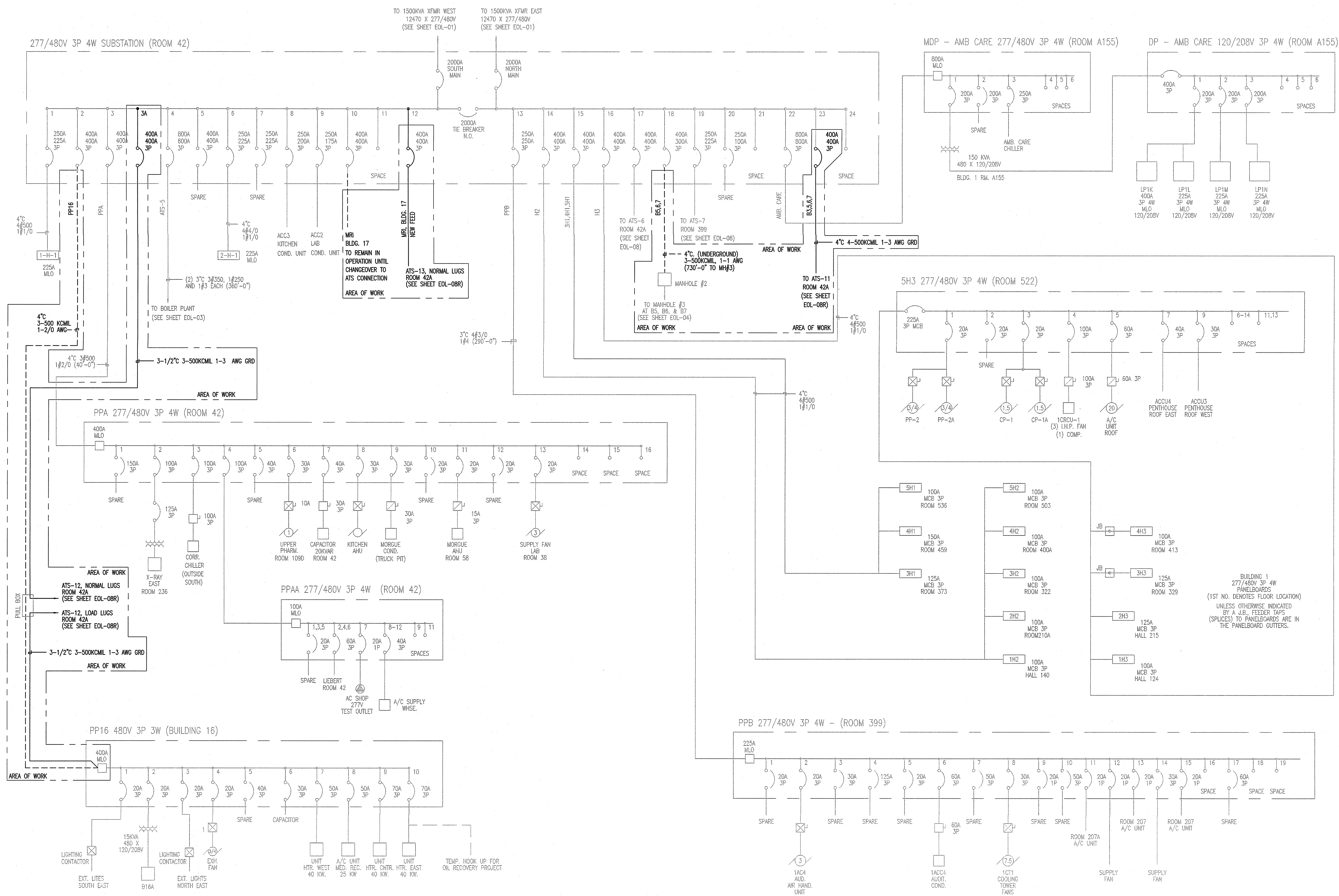


GENERAL NOTES

- 1. THE CONTRACTOR SHALL NOTIFY THE COR AT LEAST TWO WEEKS IN ADVANCE OF ANY SHUT DOWN.
- 2. THE CONTRACTOR SHALL VERIFY THE CABLE SLACK IN EACH MANHOLE.



1 SINGLE LINE DIAGRAM - EXCERPT FROM VA FT. WAYNE EOL-02R, BUILDINGS 1 (ROOM 42, A155, 399, 522) AND 16
N.T.S.

three inches = one foot
 one and one half inches = one foot
 one inch = one foot
 three quarters inch = one foot
 one half inch = one foot
 three eighths inch = one foot
 one quarter inch = one foot
 one eighth inch = one foot

CONSULTANTS:

ARCHITECT/ENGINEERS:

APOGEE
Consulting Group, PA
www.apogee-pa.com
Apogee Project # 2014 121

Raleigh, NC
Indianapolis, IN
Philadelphia, PA
Pittsburgh, PA
Virginia Beach, VA
Fort Collins, CO
(819) 858-7420
Tel (317) 800-6388

Civil / Structural Engineer
GUIDON
DESIGN

606 N Capital Avenue, STE 100
Indianapolis, IN 46206
Tel (317) 800-6388

Drawing Title
**ELECTRICAL SINGLE LINE DIAGRAM
EXCERPT FROM EOL-02R**

Approved: Project Director

Project Title REPLACE MAIN ELECTRICAL TO OUT-BUILDINGS	Project Number 610A4-12-188	Office of Construction and Facilities Management
Location FORT WAYNE, IN	Drawing Number E-601 Dwg. 39 of 48	
Date 9/18/2015	Checked JKM	Department of Veterans Affairs
Drawn JWB		