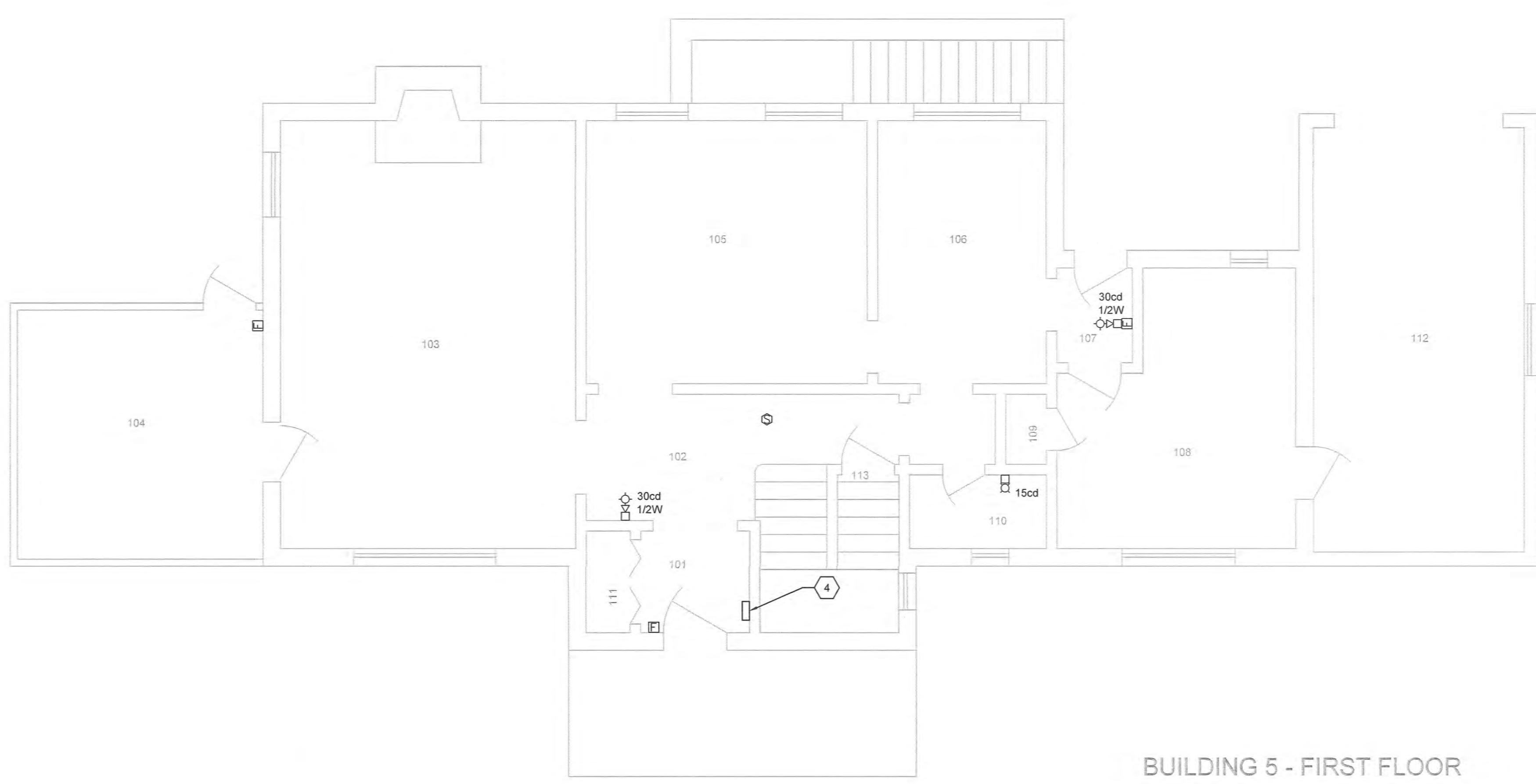


three inches = one foot
 one and one half inches = one foot
 one inch = one foot
 three quarters inch = one foot
 one half inch = one foot
 three eighths inch = one foot
 one quarter inch = one foot
 one eighth inch = one foot

- ### GENERAL NOTES
- ALL FIRE ALARM NEW WORK SHALL BE COORDINATED WITH THE COR.
 - ALL FIRE ALARM CABLING SHALL BE IN CONDUIT/RACEWAY.
 - CONTRACTOR SHALL RECESS ALL DEVICES IN WALLS.
 - ALL CONDUITS/RACEWAYS SHALL BE FACTORY PAINTED "RED".

- ### KEY NOTES
- EXISTING TTB TO REMAIN.
 - EXISTING OIT RACK TO REMAIN.
 - PROVIDE NEW FIRE ALARM TRANSPONDER TO MATCH THE EXISTING SIMPLEX/GRINNELLS FIRE ALARM SYSTEM.
 - PROVIDE NEW FIRE ALARM MODE CONTROLLER TO MATCH THE EXISTING SIMPLEX/GRINNELLS FIRE ALARM SYSTEM.



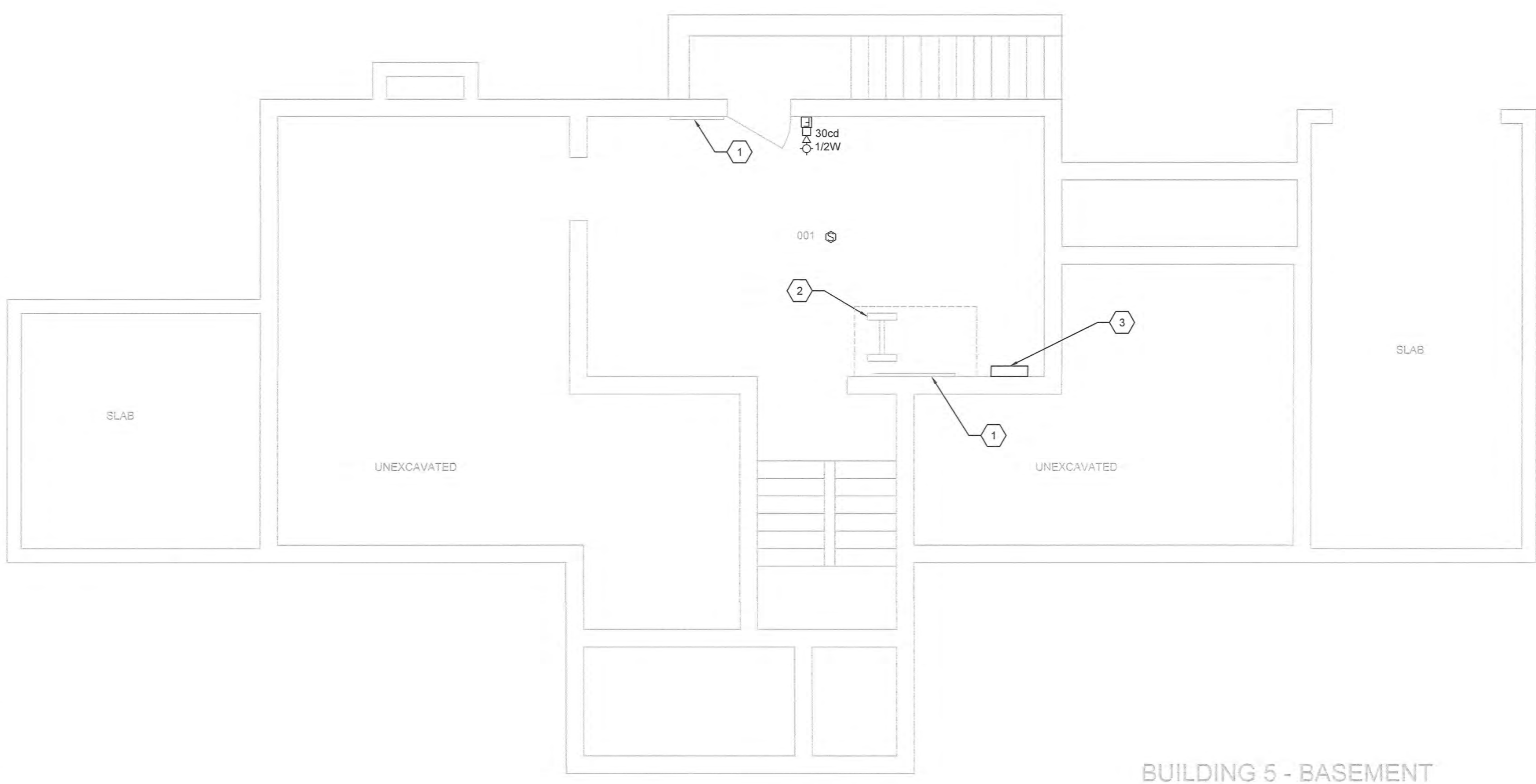
BUILDING 5 - FIRST FLOOR

2 BUILDING 5 - FIRST FLOOR FIRE ALARM PLAN
 1/4" = 1'-0"



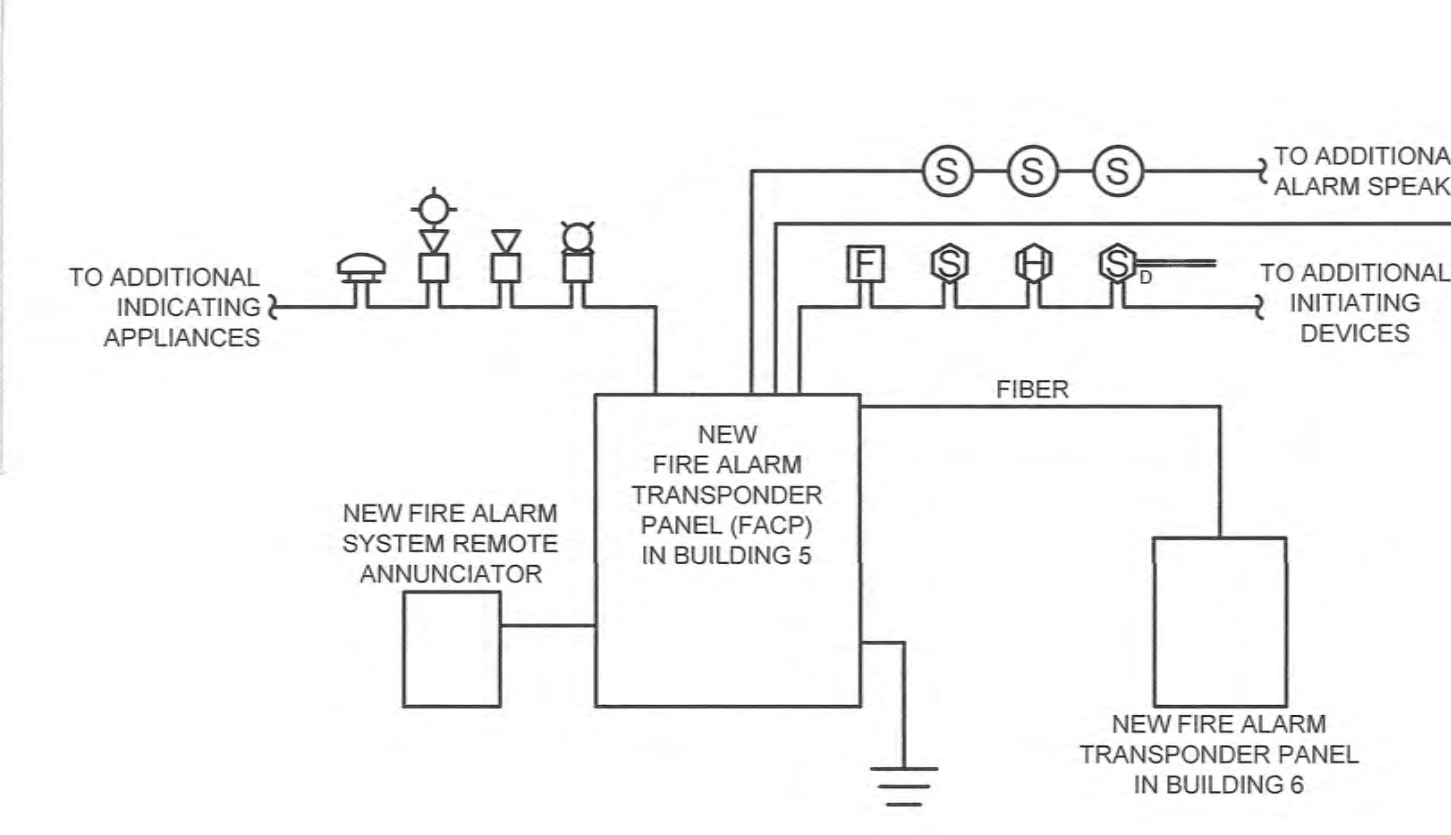
ROOF

3 BUILDING 5 - SECOND FLOOR FIRE ALARM PLAN
 1/4" = 1'-0"



BUILDING 5 - BASEMENT

1 BUILDING 5 - BASEMENT FIRE ALARM PLAN
 1/4" = 1'-0"






4 FIRE ALARM SYSTEM RISER DIAGRAM
 N.T.S.

- ### NOTES
- FIRE ALARM SYSTEM SHALL BE INTERCONNECTED WITH ACCESS CONTROL SYSTEM TO ALLOW EGRESS DURING ALARM CONDITIONS. COORDINATE BETWEEN ACCESS CONTROL SYSTEM AND FIRE ALARM SYSTEM MANUFACTURERS.
 - ALL FIRE ALARM WIRING SHALL BE IN FACTORY PAINTED "RED" EMT CONDUIT.
 - ALL WIRING SHALL BE AS RECOMMENDED BY MANUFACTURER.
 - PROVIDE SEPARATE OUTPUT SIGNALS TO AIR HANDLER UNIT VFD FOR INDIVIDUAL UNIT SHUT-DOWN.
 - PROVIDE ZONE ADAPTER MODULES TO CONNECT NON-ADDRESSIBLE DEVICES SUCH AS FLOW AND TAMPER SWITCHES, DOOR HOLD-OPEN DEVICES, AND CONTROL SIGNALS.
 - PROVIDE POWER SUPPLY AND/OR NAC (NOTIFICATION APPLIANCE CIRCUIT) PANEL AS REQUIRED FOR ADDITIONAL DEVICES.
 - PROVIDE POWER AMPLIFIERS FOR ALL SPEAKERS.
 - THE NEW FIRE ALARM SYSTEM SHALL MATCH THE EXISTING SIMPLEX/GRINNELL FIRE ALARM SYSTEM.
 - GROUND THE NEW FIRE ALARM SYSTEM TO THE EXISTING BUILDING GROUNDING SYSTEM.
 - THE CONTRACTOR SHALL SUBMIT THE FIRE ALARM DRAWINGS TO THE STATE OF INDIANA FOR APPROVAL PRIOR TO SUBMITTING TO THE VA.



100% CONSTRUCTION DOCUMENTS

CONSULTANTS: 		ARCHITECT/ENGINEERS:  Raleigh, NC Indianapolis, IN Philadelphia, PA Pittsburgh, PA Virginia Beach, VA Fort Collins, CO (919) 555-7423 www.apogee.com Project # 2014 121		Drawing Title BUILDING 5 - FIRE ALARM PLANS		Project Title REPLACE MAIN ELECTRICAL TO OUT-BUILDINGS		Project Number 610A4-12-188		Office of Construction and Facilities Management Department of Veterans Affairs	
Revisions: _____ Date _____				Approved: Project Director		Location FORT WAYNE, IN		Building Numbers 1,3,5,6,7,10,T4,T5,T6		Drawing Number FA102 Dwg. 46 of 48	
				Civil / Structural Engineer GUIDON 905 N Capital Avenue, STE 100 Indianapolis, IN 46205 Tel (317) 800-6388		Date 9/18/2015		Checked JKM		Drawn JWB	