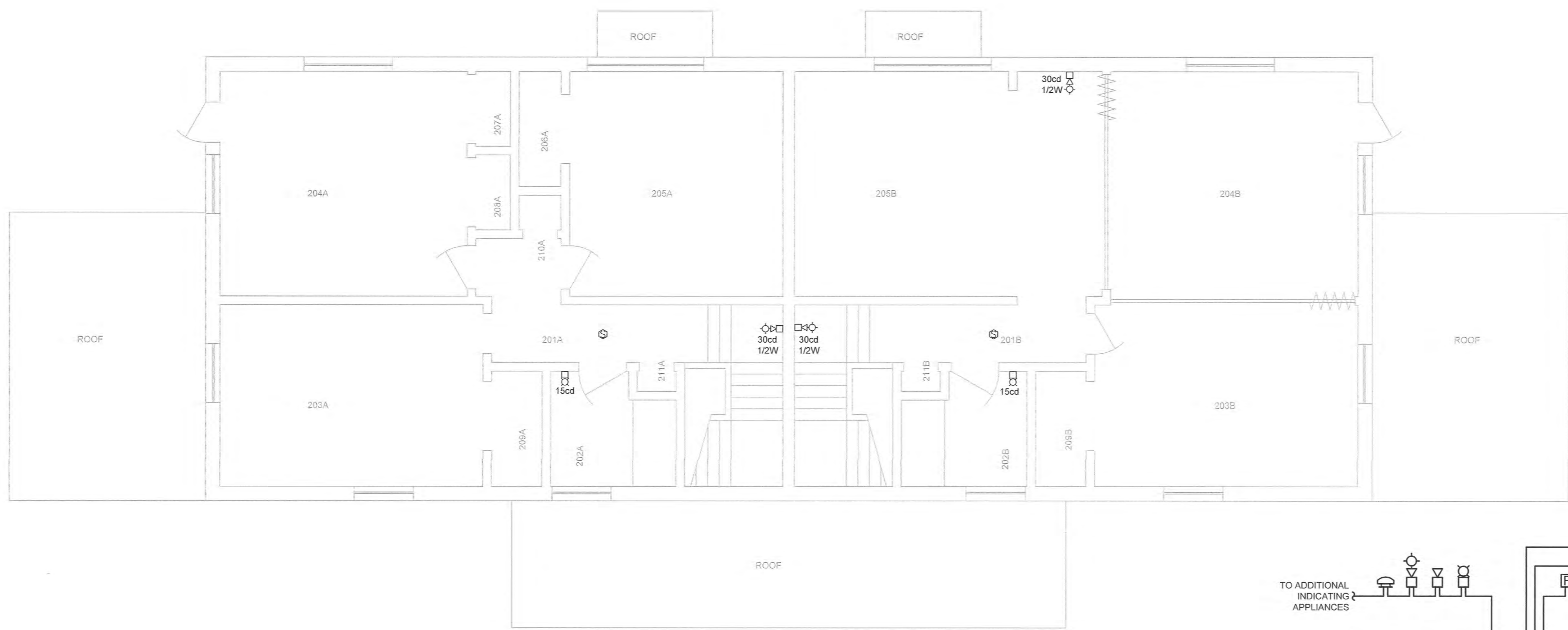


GENERAL NOTES

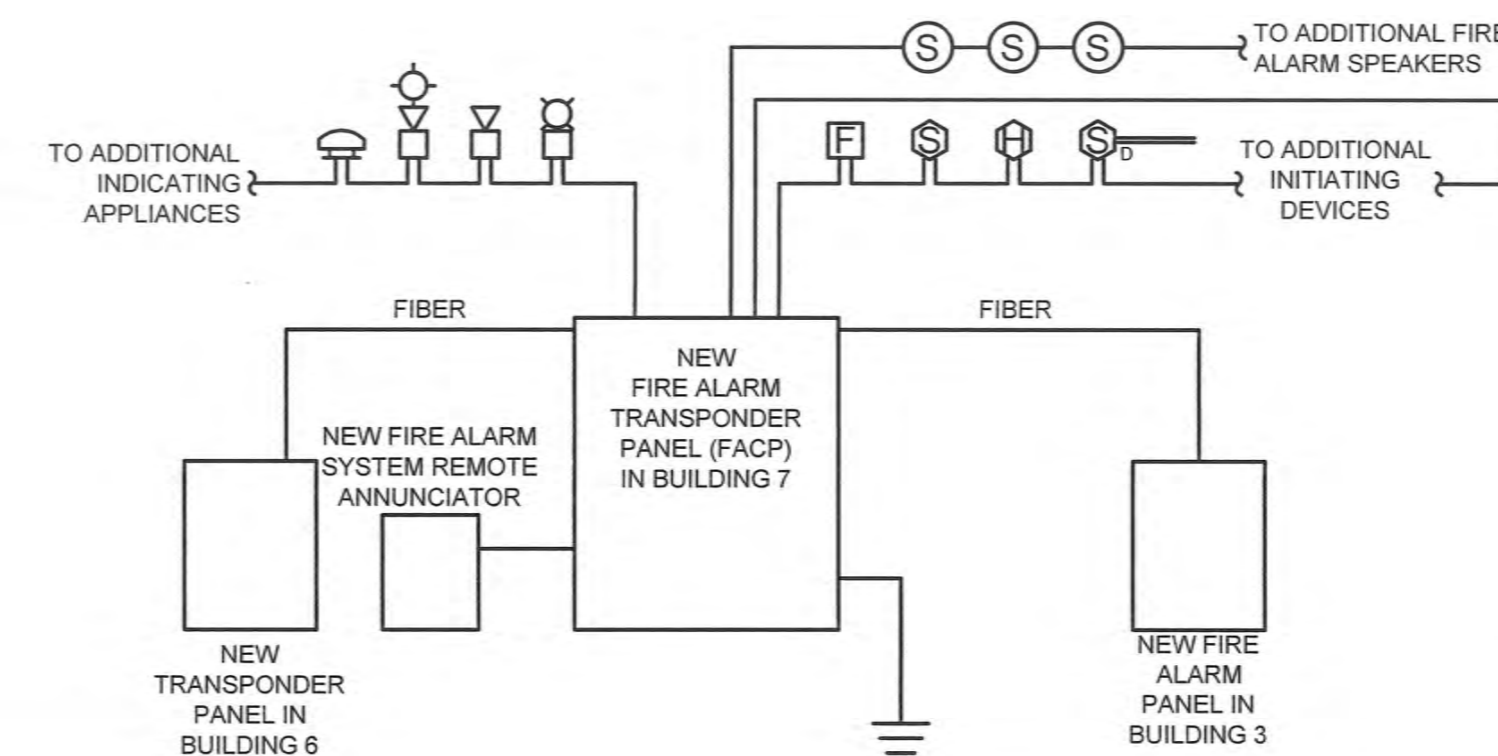
1. ALL FIRE ALARM NEW WORK SHALL BE COORDINATED WITH THE COR.
2. ALL OLD FIRE ALARM DEVICES SHALL BE REPLACED WITH NEW DEVICES.
3. ALL FIRE ALARM CABLING SHALL BE IN CONDUIT/RACEWAY.
4. CONTRACTOR SHALL RECESS ALL DEVICES IN WALLS.
5. ALL CONDUITS/RACEWAYS SHALL BE FACTORY PAINTED "RED".

KEY NOTES

1. EXISTING TTBB TO REMAIN.
2. EXISTING OIT RACK TO REMAIN.
3. PROVIDE NEW FIRE ALARM TRANSPODER TO MATCH THE EXISTING SIMPLEX/GRINNELLS FIRE ALARM SYSTEM.
4. PROVIDE NEW FIRE ALARM MODE CONTROLLER TO MATCH THE EXISTING SIMPLEX/GRINNELLS FIRE ALARM SYSTEM.

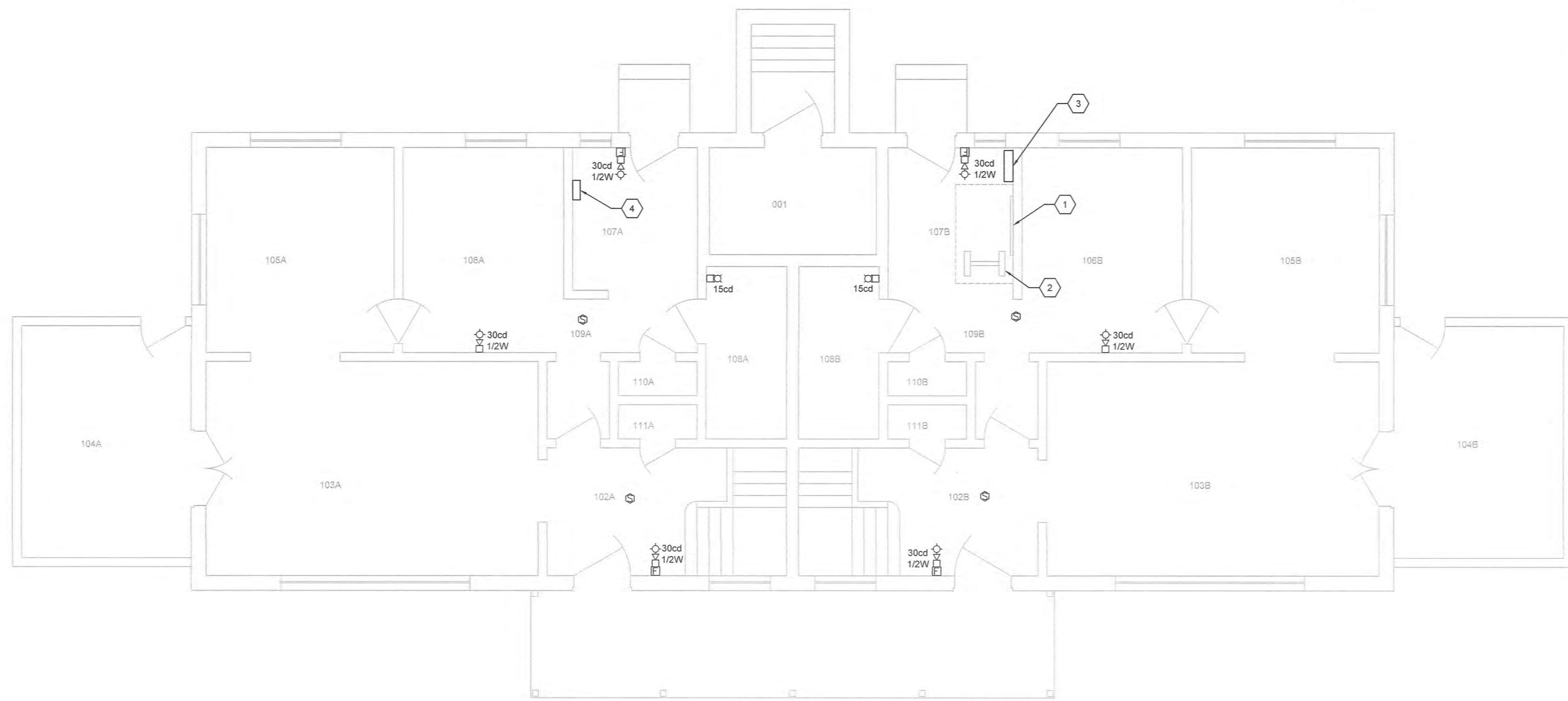


2 BUILDING 7 - SECOND FLOOR FIRE ALARM PLAN
1/4" = 1'-0"



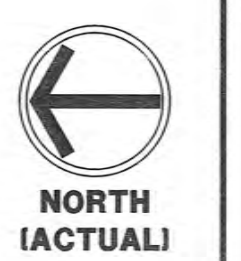
3 FIRE ALARM SYSTEM RISER DIAGRAM
N.T.S.

- NOTES:**
1. FIRE ALARM SYSTEM SHALL BE INTERCONNECTED WITH ACCESS CONTROL SYSTEM TO ALLOW EGRESS DURING ALARM CONDITIONS. COORDINATE BETWEEN ACCESS CONTROL SYSTEM AND FIRE ALARM SYSTEM MANUFACTURERS.
 2. ALL FIRE ALARM WIRING SHALL BE IN FACTORY PAINTED "RED" EMT CONDUIT.
 3. ALL WIRING SHALL BE AS RECOMMENDED BY MANUFACTURER.
 4. PROVIDE SEPARATE OUTPUT SIGNALS TO AIR HANDLER UNIT VFD FOR INDIVIDUAL UNIT SHUT-DOWN.
 5. PROVIDE ZONE ADAPTER MODULES TO CONNECT NON-ADDRESSIBLE DEVICES SUCH AS FLOW AND TAMPER SWITCHES, DOOR HOLD-OPEN DEVICES, AND CONTROL SIGNALS.
 6. PROVIDE POWER SUPPLY AND/OR NAC (NOTIFICATION APPLIANCE CIRCUIT) PANEL AS REQUIRED FOR ADDITIONAL DEVICES.
 7. PROVIDE POWER AMPLIFIERS FOR ALL SPEAKERS.
 8. THE NEW FIRE ALARM SYSTEM SHALL MATCH THE EXISTING SIMPLEX/GRINNELL FIRE ALARM SYSTEM.
 9. GROUND THE NEW FIRE ALARM SYSTEM TO THE EXISTING BUILDING GROUNDING SYSTEM.
 10. THE CONTRACTOR SHALL SUBMIT THE FIRE ALARM DRAWINGS TO THE STATE OF INDIANA FOR APPROVAL PRIOR TO SUBMITTING TO THE VA.



1 BUILDING 7 - FIRST FLOOR FIRE ALARM PLAN
1/4" = 1'-0"

three inches = one foot
 one and one half inches = one foot
 one inch = one foot
 three quarters inch = one foot
 one half inch = one foot
 three eighths inch = one foot
 one quarter inch = one foot
 one eighth inch = one foot



100% CONSTRUCTION DOCUMENTS

CONSULTANTS: _____ _____ _____ _____ _____ _____ _____ _____		ARCHITECT/ENGINEERS:  APOGEE Consulting Group, PA Raleigh, NC Indianapolis, IN Philadelphia, PA Pittsburgh, PA Virginia Beach, VA Fort Collins, CO (919) 855-7420 www.apgee.com Apogee Project # 2014 121		Civil / Structural Engineer GUIDON 905 N Capital Avenue, STE 100 Indianapolis, IN 46205 Tel (317) 800-6388		Drawing Title BUILDING 7 - FIRE ALARM PLANS		Project Title REPLACE MAIN ELECTRICAL TO OUT-BUILDINGS		Project Number 610A4-12-188		Building Numbers 1,3,5,6,7,10,T4,T5,T6		Office of Construction and Facilities Management	
Revisions: _____ Date _____		Approved: Project Director		Location FORT WAYNE, IN		Date 9/18/2015		Checked JKM		Drawn JWB		Drawing Number FA104 Dwg. 48 of 48			