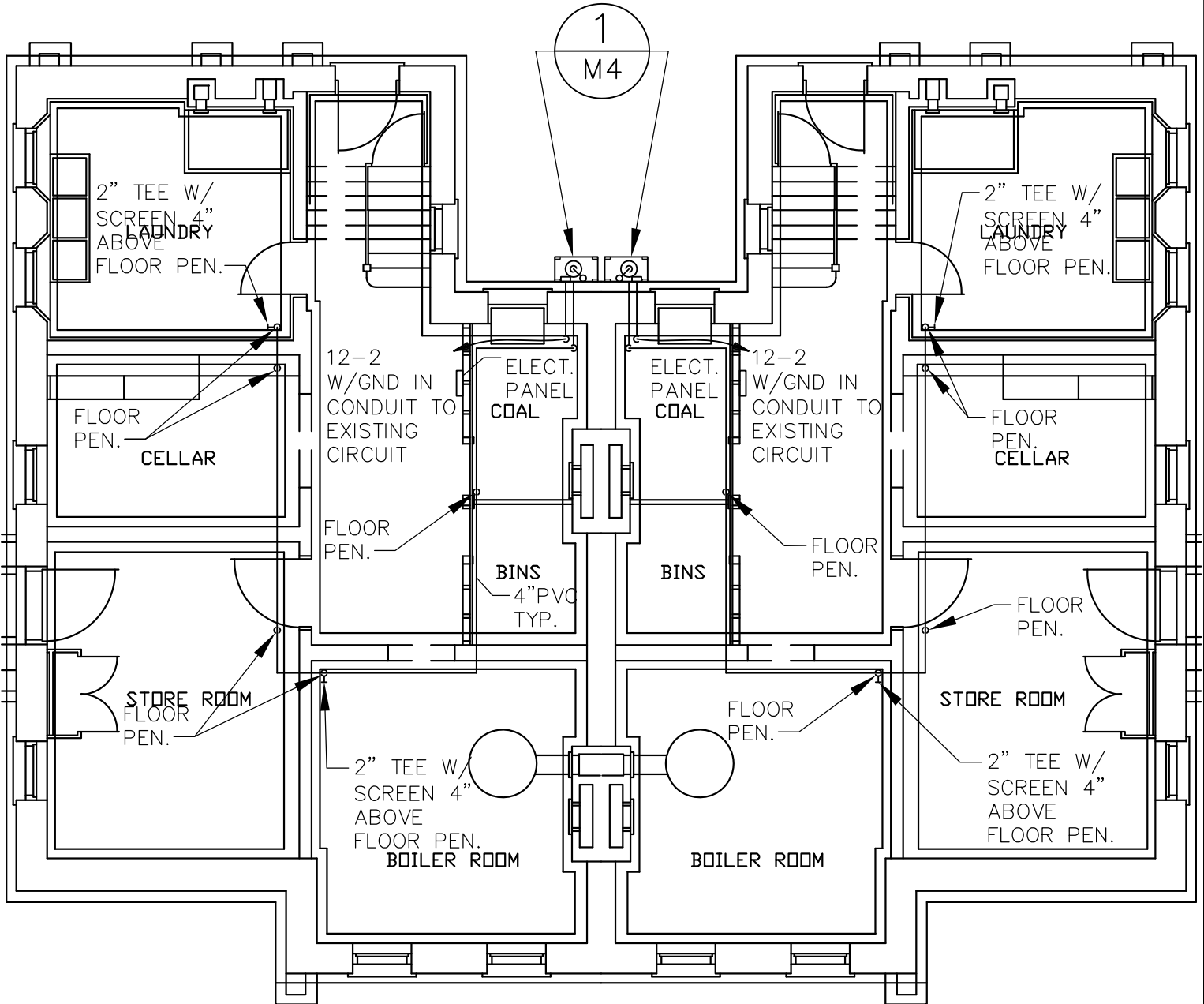


GENERAL NOTES:

1) DRAWINGS ARE FOR GENERAL ARRANGEMENT, AND APPROXIMATE LOCATIONS FOR BIDDING PURPOSES ONLY. ACTUAL PENETRATION THROUGH SLAB QUANTITIES AND MATERIAL REQUIREMENTS MAY VARY. PROVIDE A COMPLETE RADON MITIGATION SYSTEM PER EPA, CDC, AND LOCAL AUTHORITIES HAVING JURISDICTION.

2) BUILDING FOOTINGS ARE APPROXIMATELY 2'-0" WIDE. DRILL FLOOR PENETRATIONS TO MISS FOOTINGS.



A
M1

QUARTERS 18 PIPING/EQUIP. PLAN

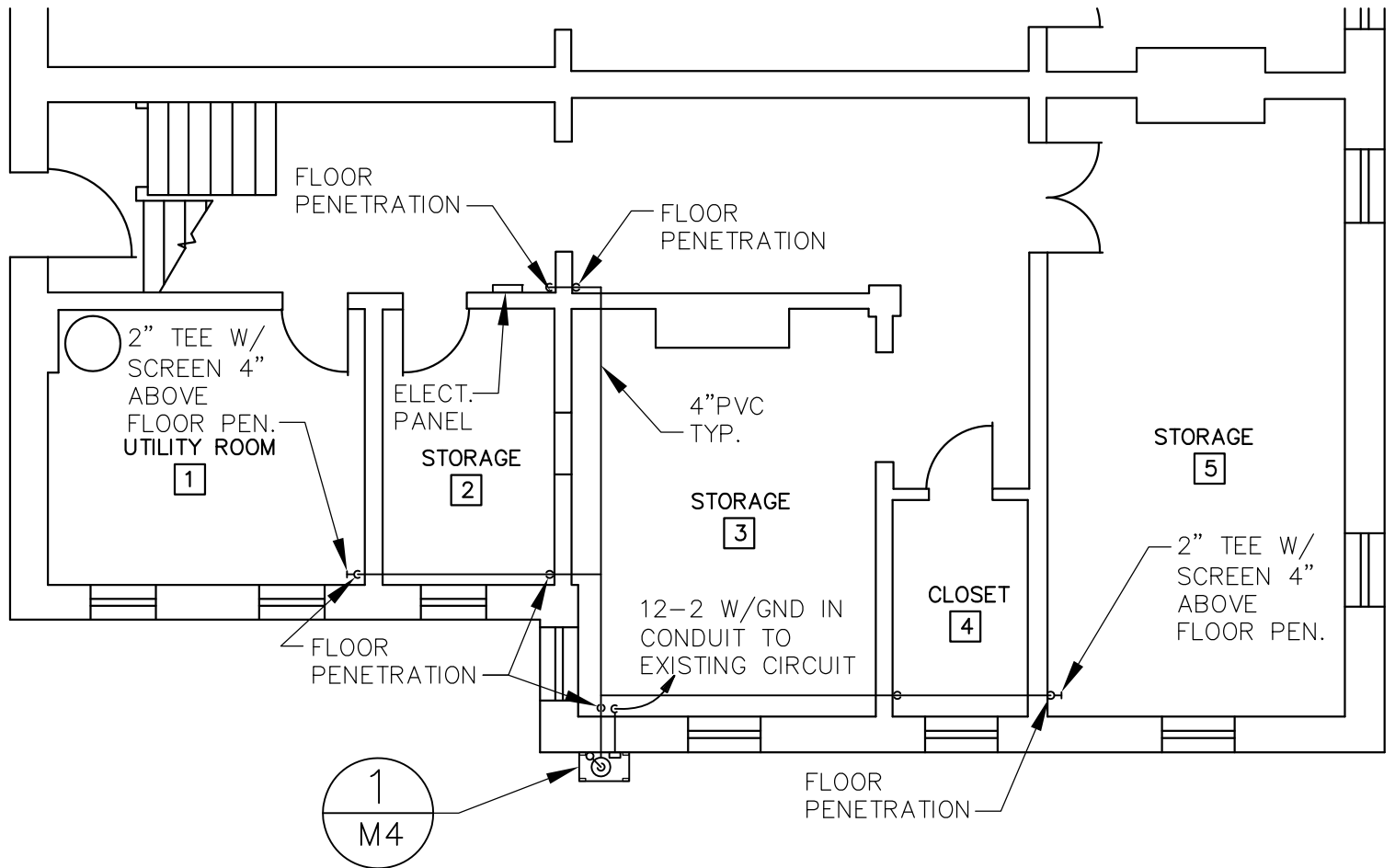
SCALE: $\frac{1}{8}$ " = 1'-0"

Project Title RADON MITIGATION FOR SHERIDAN VAMC QUARTERS	Drawing Title QUARTERS 18 PIPING/ EQUIP. PLAN		Revision -	Office of Facilities Management VA Department of Healthcare Veterans Affairs	Drawing Number M1 Dwg. 7 of 12
	Location VAMC Sheridan, WY	Project Number 666-17-801	Date 02/08/2017		

GENERAL NOTES:

1) DRAWINGS ARE FOR GENERAL ARRANGEMENT, AND APPROXIMATE LOCATIONS FOR BIDDING PURPOSES ONLY. ACTUAL PENETRATION THROUGH SLAB QUANTITIES AND MATERIAL REQUIREMENTS MAY VARY. PROVIDE A COMPLETE RADON MITIGATION SYSTEM PER EPA, CDC, AND LOCAL AUTHORITIES HAVING JURISDICTION.

2) BUILDING FOOTINGS ARE APPROXIMATELY 2'-0" WIDE. DRILL FLOOR PENETRATIONS TO MISS FOOTINGS.



QUARTERS 14B PIPING/EQUIP. PLAN

SCALE: 1/8" = 1'-0"

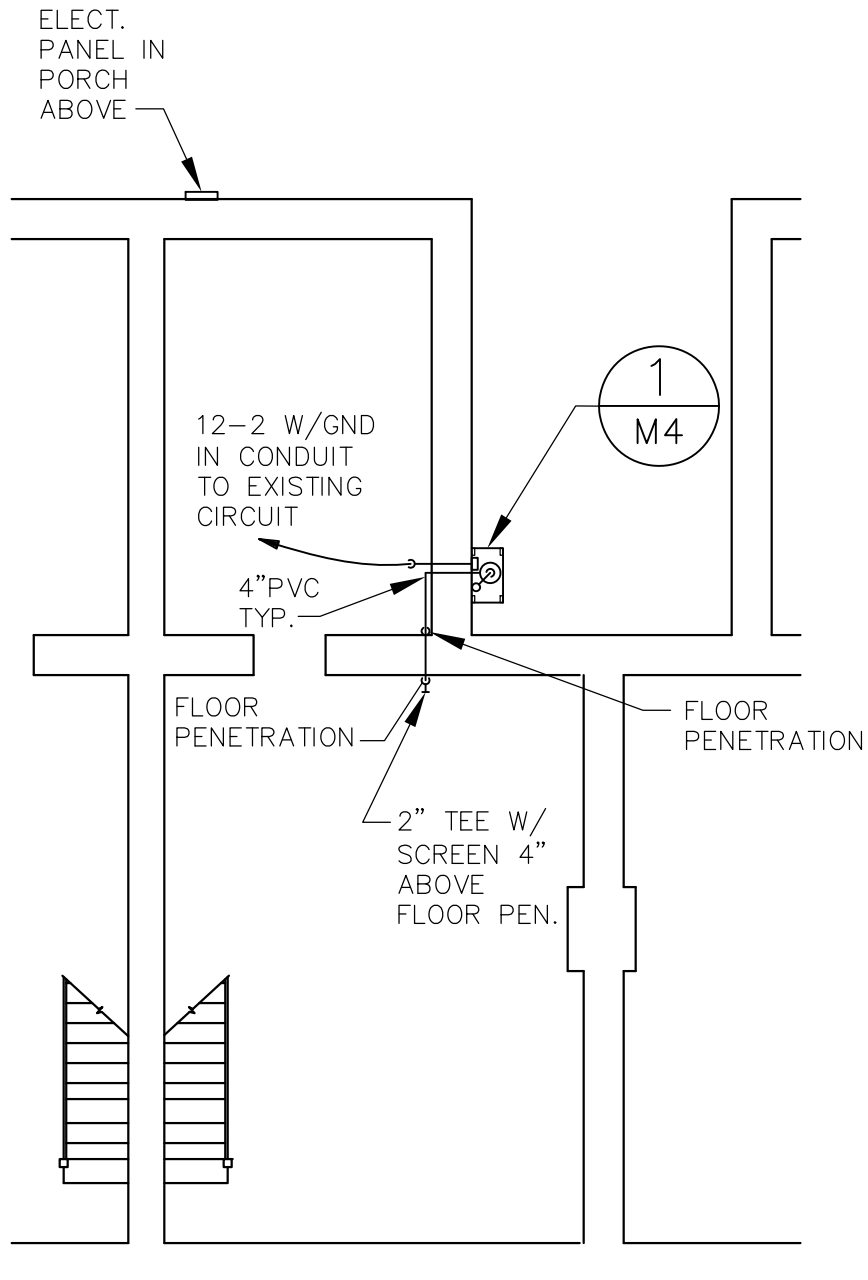
Project Title RADON MITIGATION FOR SHERIDAN VAMC QUARTERS	Drawing Title QUARTERS 14B PIPING/ EQUIP. PLAN		Revision -	Office of Facilities Management VA Department of Healthcare Veterans Affairs	Drawing Number M2 Dwg. 4 of 12
	Location VAMC Sheridan, WY	Project Number 666-17-801	Date 02/08/2017		

GENERAL NOTES:

1) DRAWINGS ARE FOR GENERAL ARRANGEMENT, AND APPROXIMATE LOCATIONS FOR BIDDING PURPOSES ONLY. ACTUAL PENETRATION THROUGH SLAB QUANTITIES AND MATERIAL REQUIREMENTS MAY VARY. PROVIDE A COMPLETE RADON MITIGATION SYSTEM PER EPA, CDC, AND LOCAL AUTHORITIES HAVING JURISDICTION.

2) BUILDING FOOTINGS ARE APPROXIMATELY 2'-0" WIDE. DRILL FLOOR PENETRATIONS TO MISS FOOTINGS.

3) CORE DRILL ALL PIPING PENETRATIONS.



A
M3

QUARTERS 27B PIPING/EQUIP. PLAN

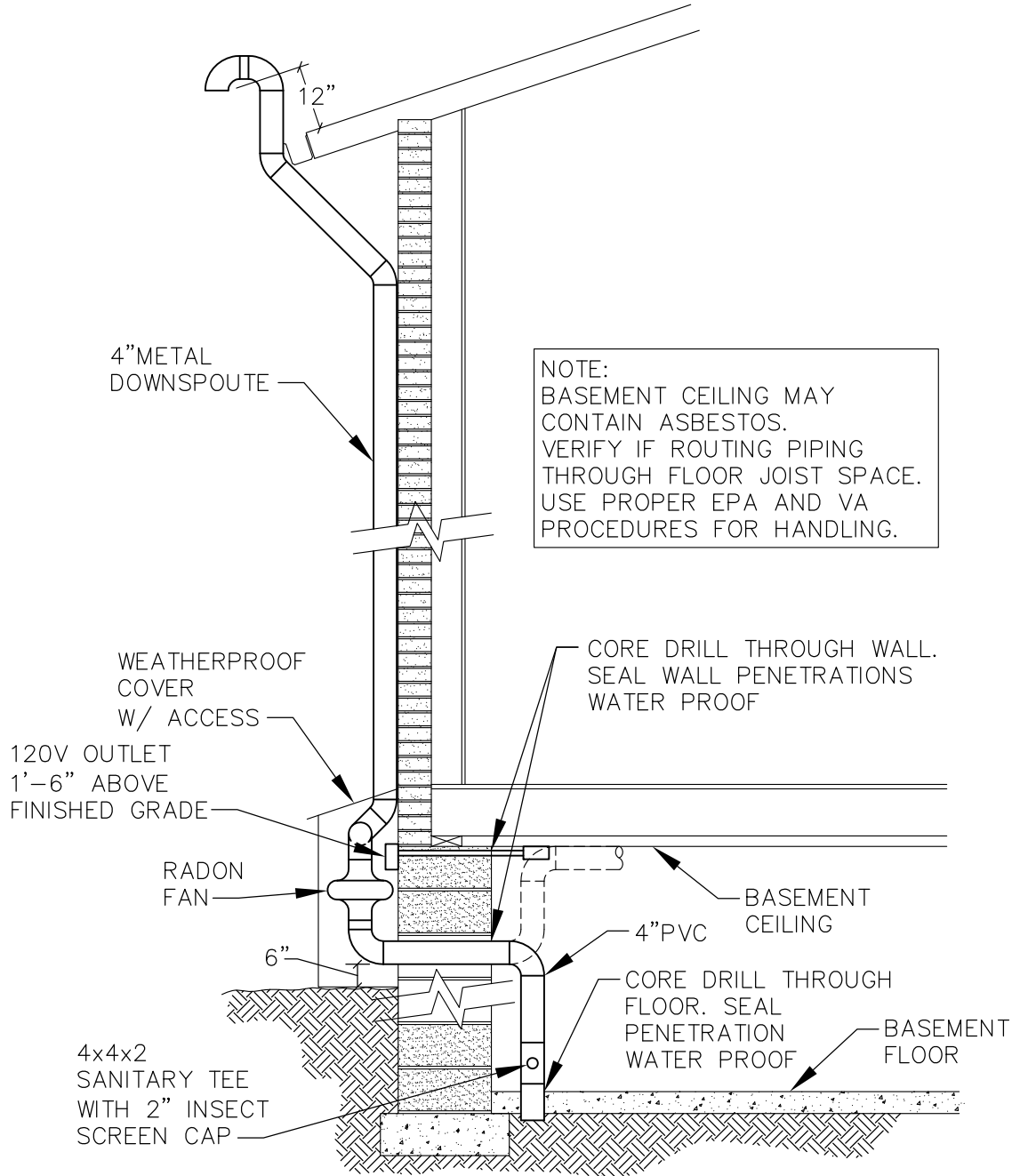
SCALE: $\frac{1}{8}$ " = 1'-0"

Project Title RADON MITIGATION FOR SHERIDAN VAMC QUARTERS	Drawing Title QUARTERS 27B PIPING/ EQUIP. PLAN		Revision -	Office of Facilities Management VA Department of Healthcare Veterans Affairs	Drawing Number M3 Dwg. 8 of 12
	Location VAMC Sheridan, WY	Project Number 666-17-801	Date 02/08/2017		

GENERAL NOTES:

1) DRAWINGS ARE FOR GENERAL ARRANGEMENT, AND APPROXIMATE LOCATIONS FOR BIDDING PURPOSES ONLY. ACTUAL PENETRATION THROUGH SLAB QUANTITIES AND MATERIAL REQUIREMENTS MAY VARY. PROVIDE A COMPLETE RADON MITIGATION SYSTEM PER EPA, CDC, AND LOCAL AUTHORITIES HAVING JURISDICTION.

2) BUILDING FOOTINGS ARE APPROXIMATELY 2'-0" WIDE. DRILL FLOOR PENETRATIONS TO MISS FOOTINGS.



1
M4

RADON FAN DETAIL

SCALE: NTS

Project Title RADON MITIGATION FOR SHERIDAN VAMC QUARTERS	Drawing Title RADON FAN DETAIL		Revision -	Office of Facilities Management VA Department of Healthcare Veterans Affairs	Drawing Number M4 Dwg. 12 of 12
	Location VAMC Sheridan, WY	Project Number 666-17-801	Date 02/08/2017		