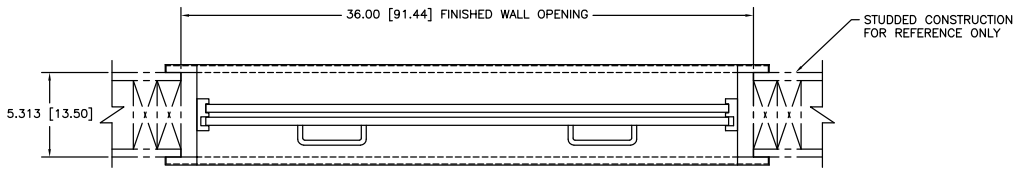
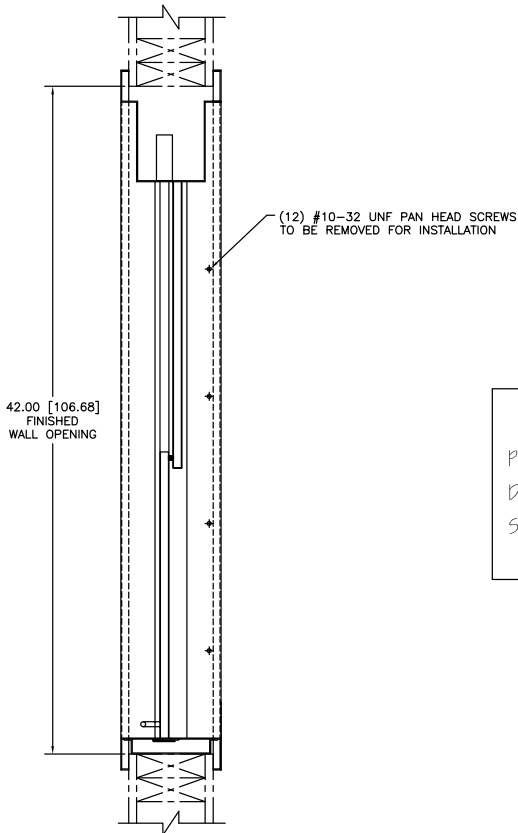
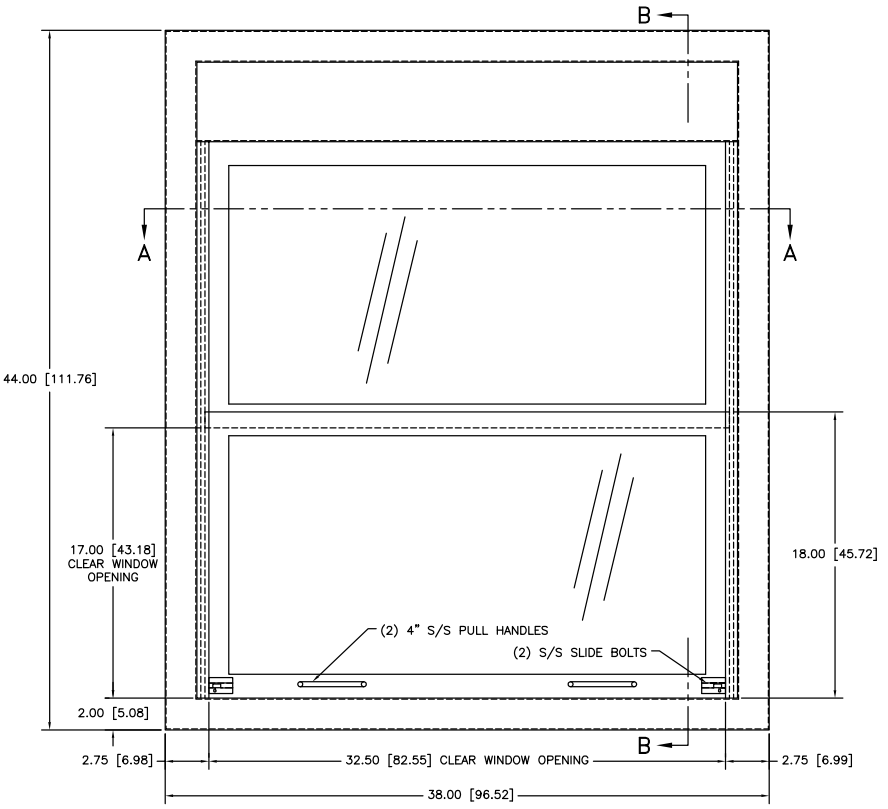


CONSTRUCTION NOTES:

- CUT HOLE THROUGH WALL (42.00"H x 36.00"W)
- REMOVE FASTENERS HOLDING CASING AS INDICATED
- INSTALL PASS THRU WINDOW INTO WALL
- RESEAL WALL OPENING AS REQUIRED
- 18 GA STAINLESS STEEL TYPE 304
- 1/4" TEMPERED SAFETY GLASS
- RUBBER WINDOW SEALS



SECTION A-A



SECTION B-B

APPROVED

PRINT NAME:  
DATE:  
SIGNATURE:

		<b>TBJ</b> INCORPORATED		1671 ORCHARD DRIVE CHAMBERSBURG, PA 17201 Phone: (717) 261-9700 www.tbjinc.com	
		SCALE 3/4"=1'-0"	1863-1	DRAWN BY	NE S
		REF DIVG - R1219		DATE	4-9-12
PASS-THRU WINDOW					
LET	REVISION	BY	DATE	ROUGH-IN ASSEMBLY	R12057