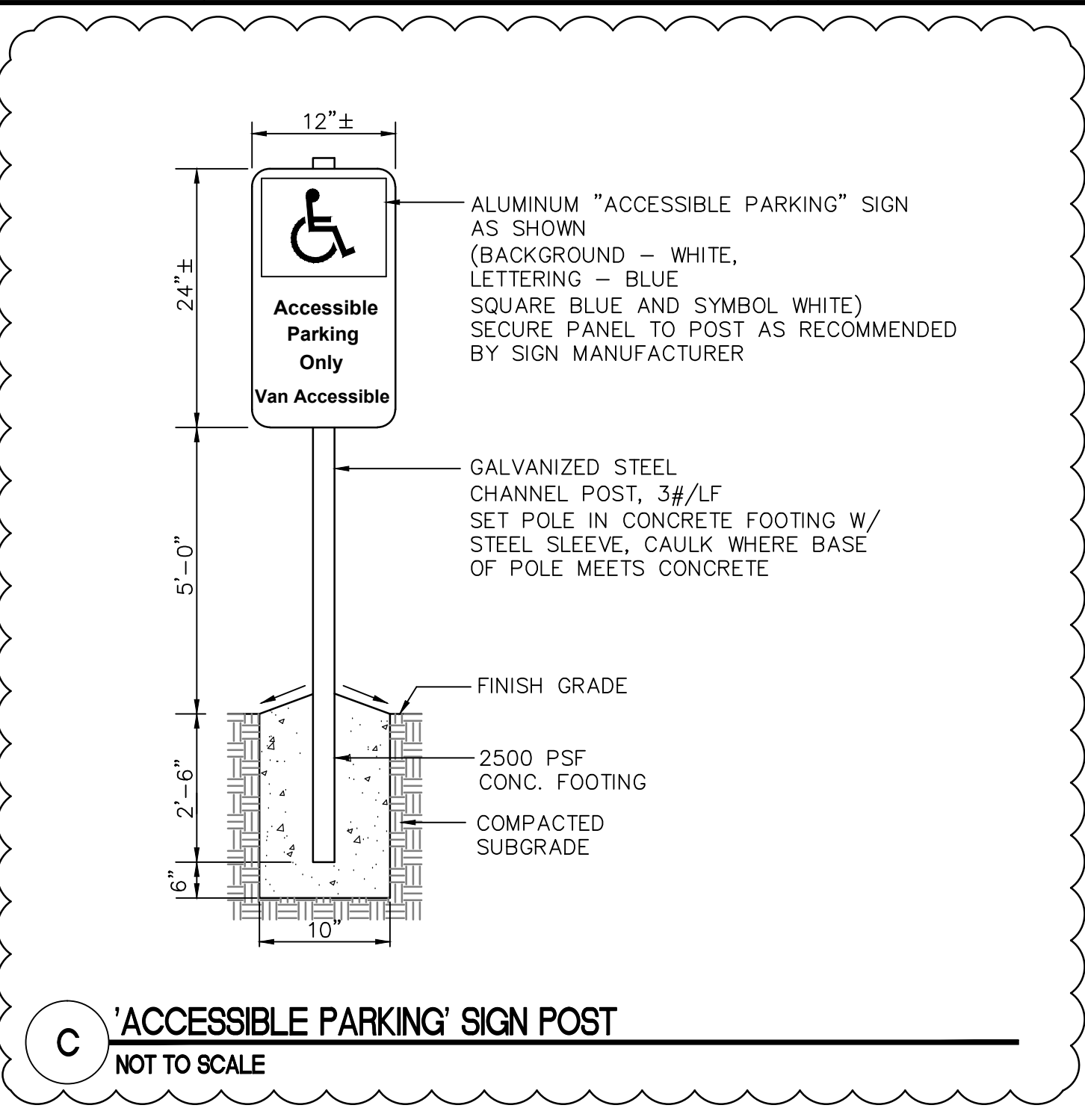
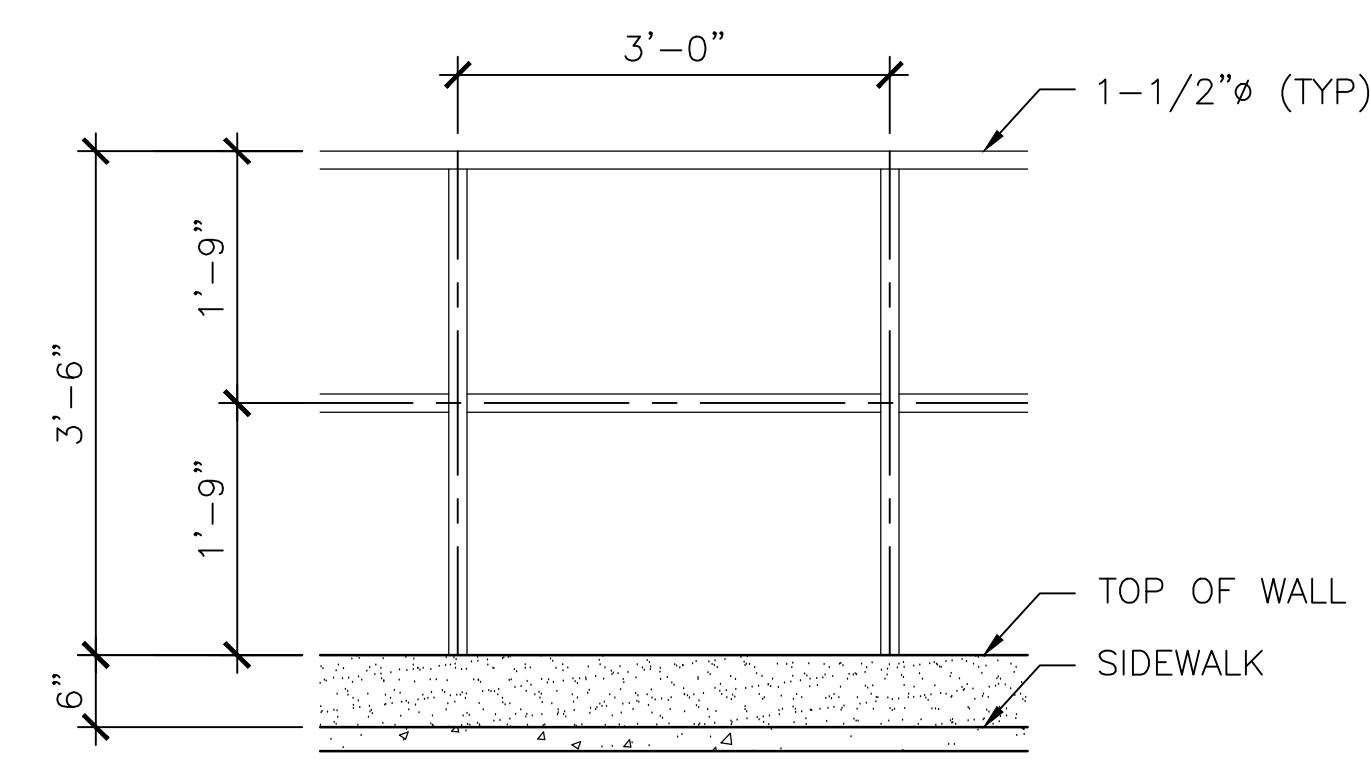


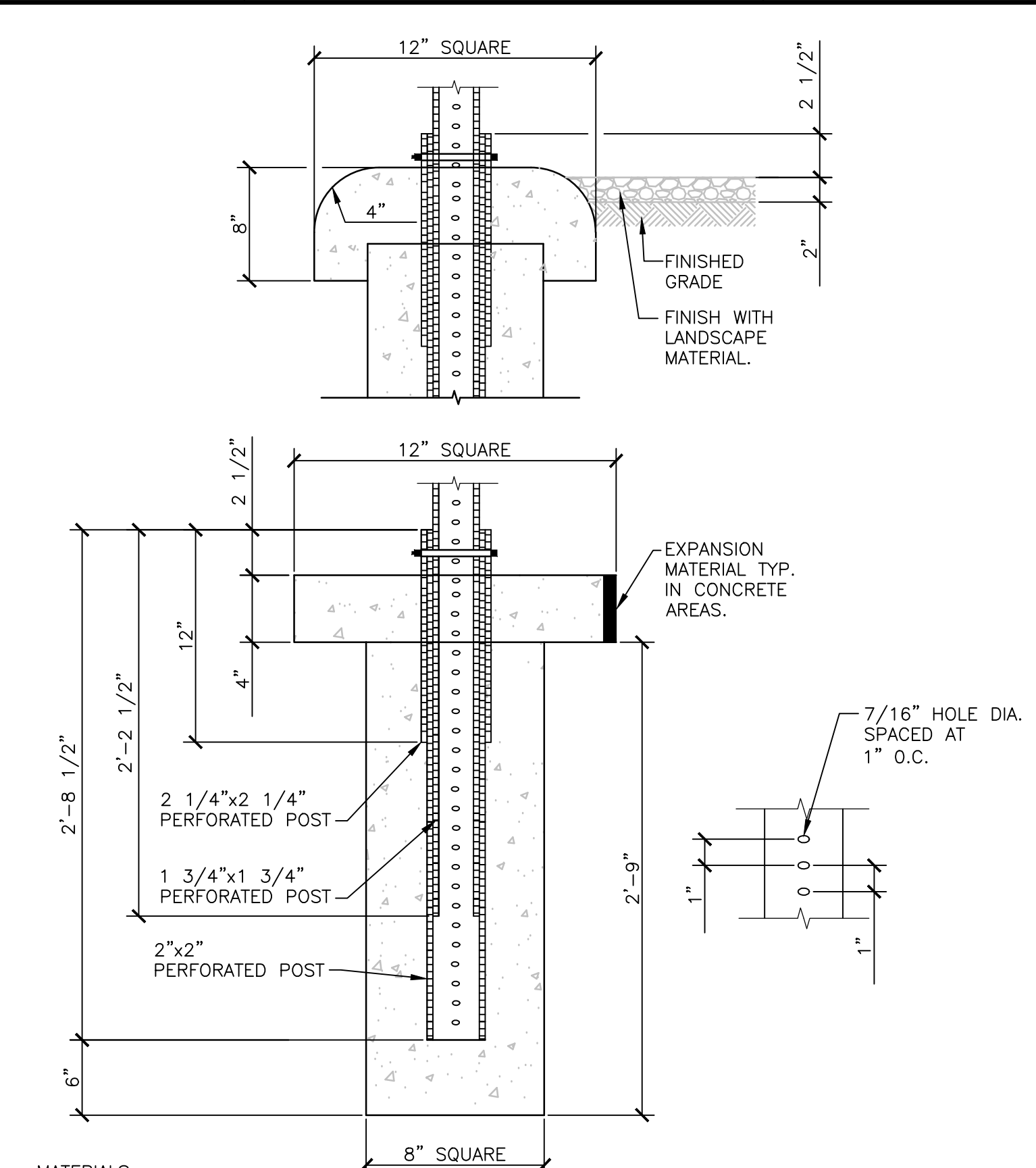
A PAINTED STOP BAR AND PEDESTRIAN CROSSWALK
NOT TO SCALE



C 'ACCESSIBLE PARKING' SIGN POST
NOT TO SCALE

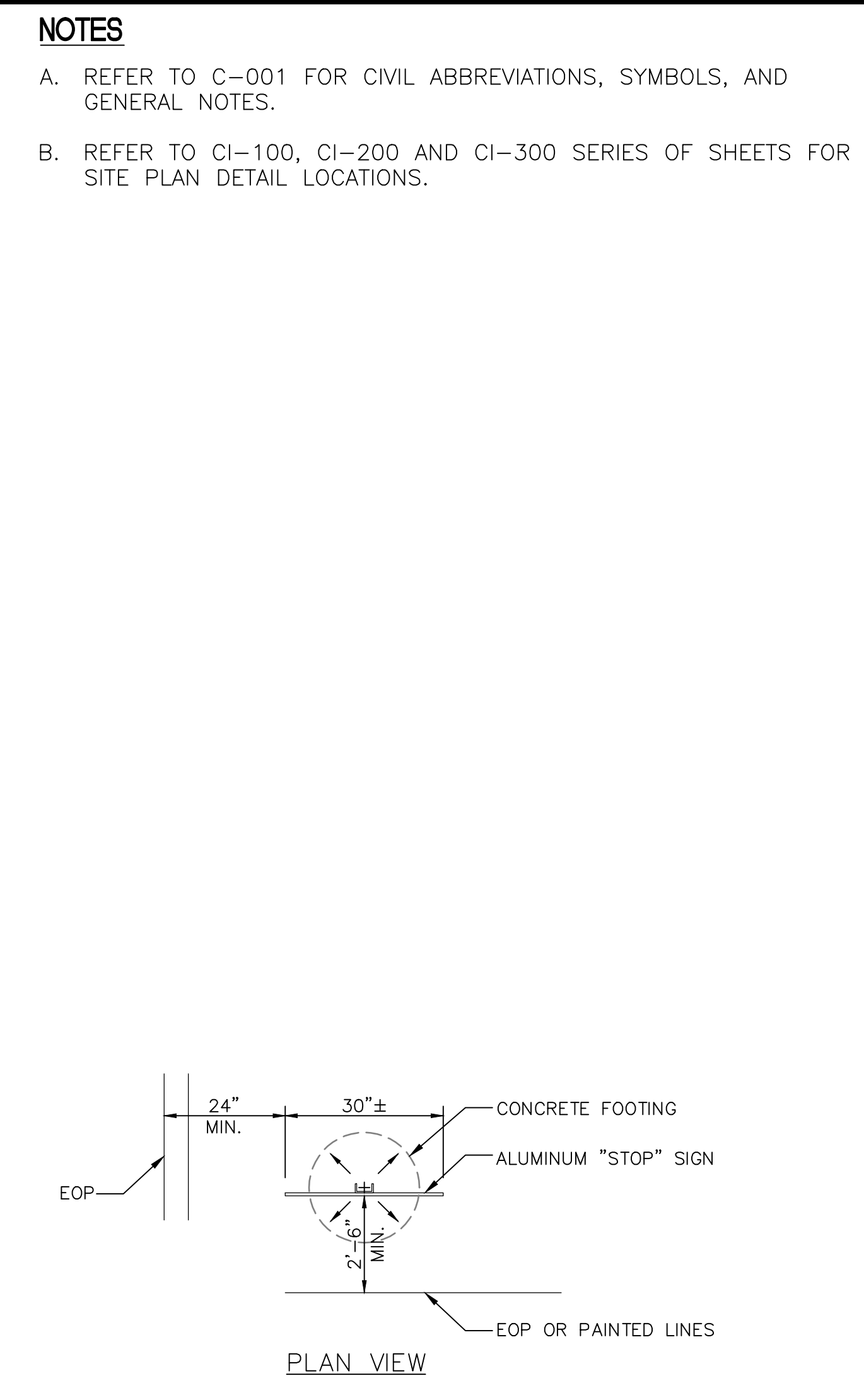


E TYPICAL HANDRAIL DETAIL
NOT TO SCALE

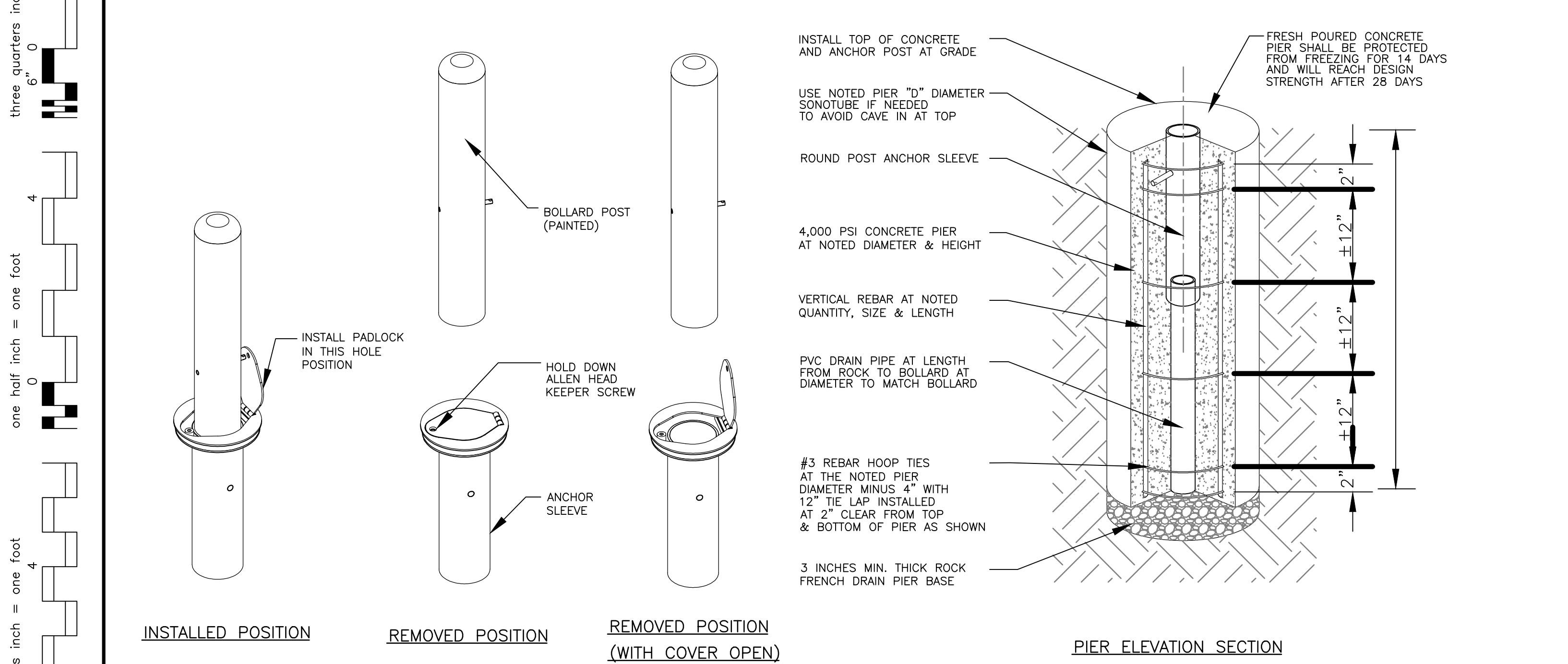


NOTES:
1. PERFORATED POSTS SHALL BE SQUARE TUBE FORMED FROM 0.105 U.S.S. GAUGE ASTM A-366 COLD ROLLED CARBON STEEL. THE SQUARE TUBES SHALL BE WELDED DIRECTLY IN THE CORNER BY HIGH FREQUENCY RESISTANCE WELDING OR EQUAL. THE POSTS SHALL BE EXTERNALLY SCARFED TO AGREE WITH STD. CORNER RADII OF 5/32" TO 1/64".
2. PERFORATED POSTS SHALL BE GALVANIZED TO CONFORM TO ASTM A-525. COATING DESIGNATION G-90.
3. ALL HARDWARE SHALL CONFORM TO ASTM A-307 CLASS A.
4. ALL HARDWARE SHALL BE GALVANIZED TO CONFORM TO ASTM A-153 OR CADMIUM PLATED TO CONFORM TO ASTM A-165.
5. ALL CONCRETE SHALL BE 2500 PSI.
NOTES:
1. FOUNDATION WILL BE CONSTRUCTED WITH 1 3/4"x1 3/4" STARTER SIGN POST. STARTER SIGN POST SHALL BE REMOVED AFTER CONCRETE HAS SET AND EXPOSED SQUARE TUBING WRAPPED AND SEALED WITH DUCT TAPE.
2. FOUNDATION LOCATED 1' FROM EDGE OF PAVEMENT.
3. FOUNDATION LOCATION TO BE APPROVED BY ENGINEERING.
4. POST FOUNDATIONS SHALL BE PERPENDICULAR TO THE PAVED SURFACE.
5. BOLT WITH NUT AND LOCK WASHER TO BE 7/16"x3" GALVANIZED.
6. REFER TO SIGN POST LOCATION DETAIL, DETAIL 4, THIS SHEET FOR INSTALLATION LOCATION.

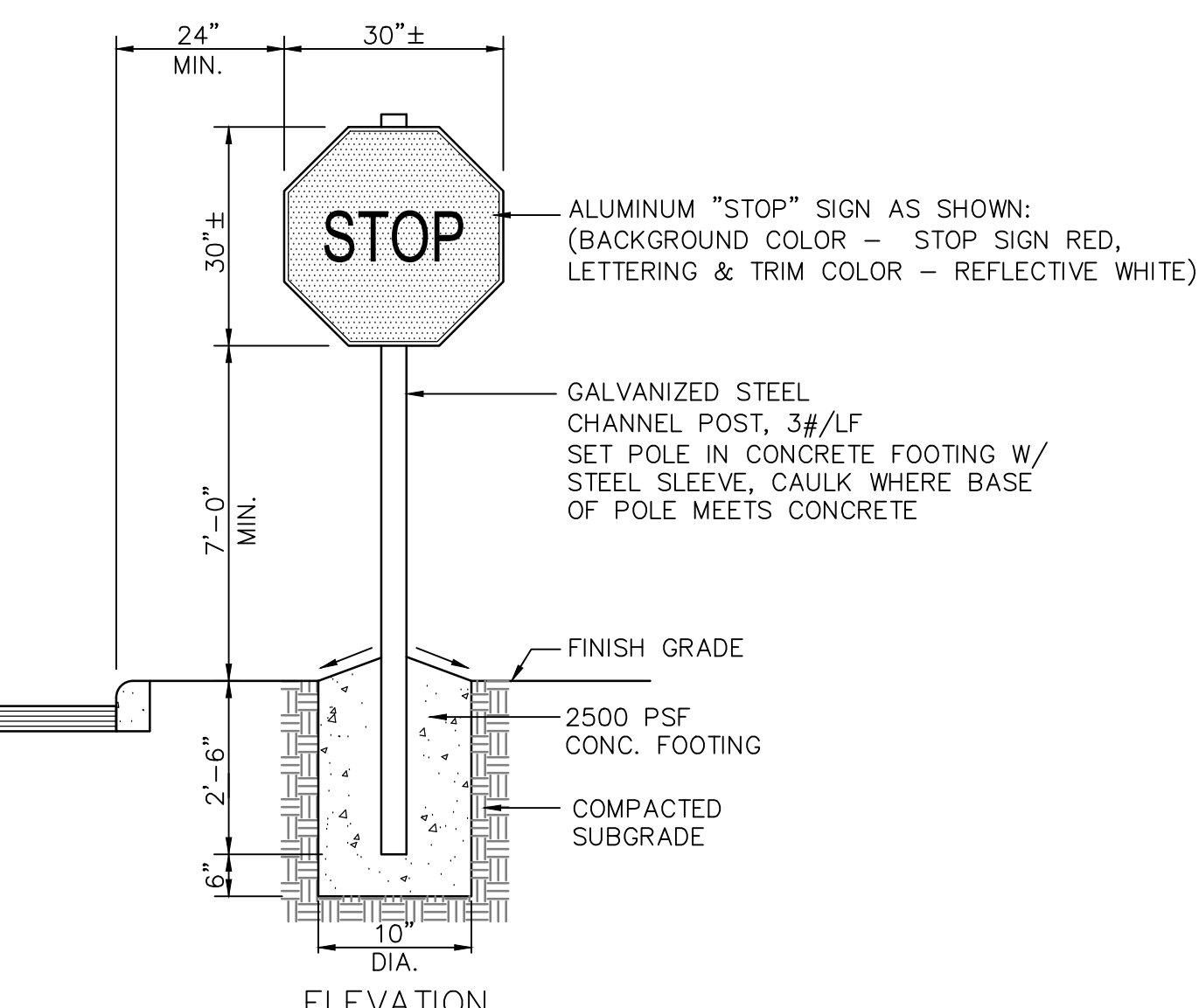
G SIGN POST DETAIL SQUARE TUBE FOUNDATION
NOT TO SCALE



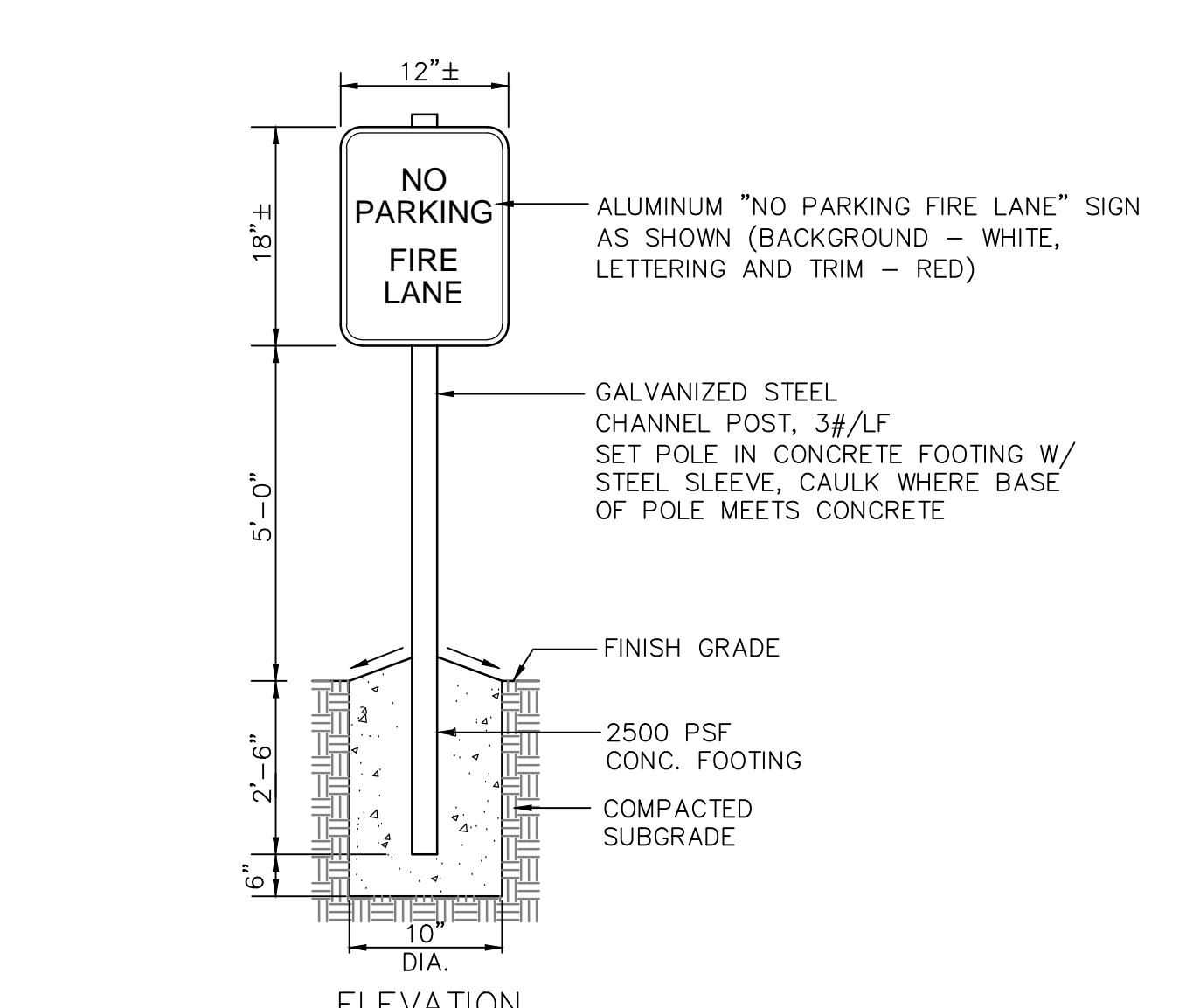
I TYP. SIGN POST LOCATION DETAIL
NOT TO SCALE



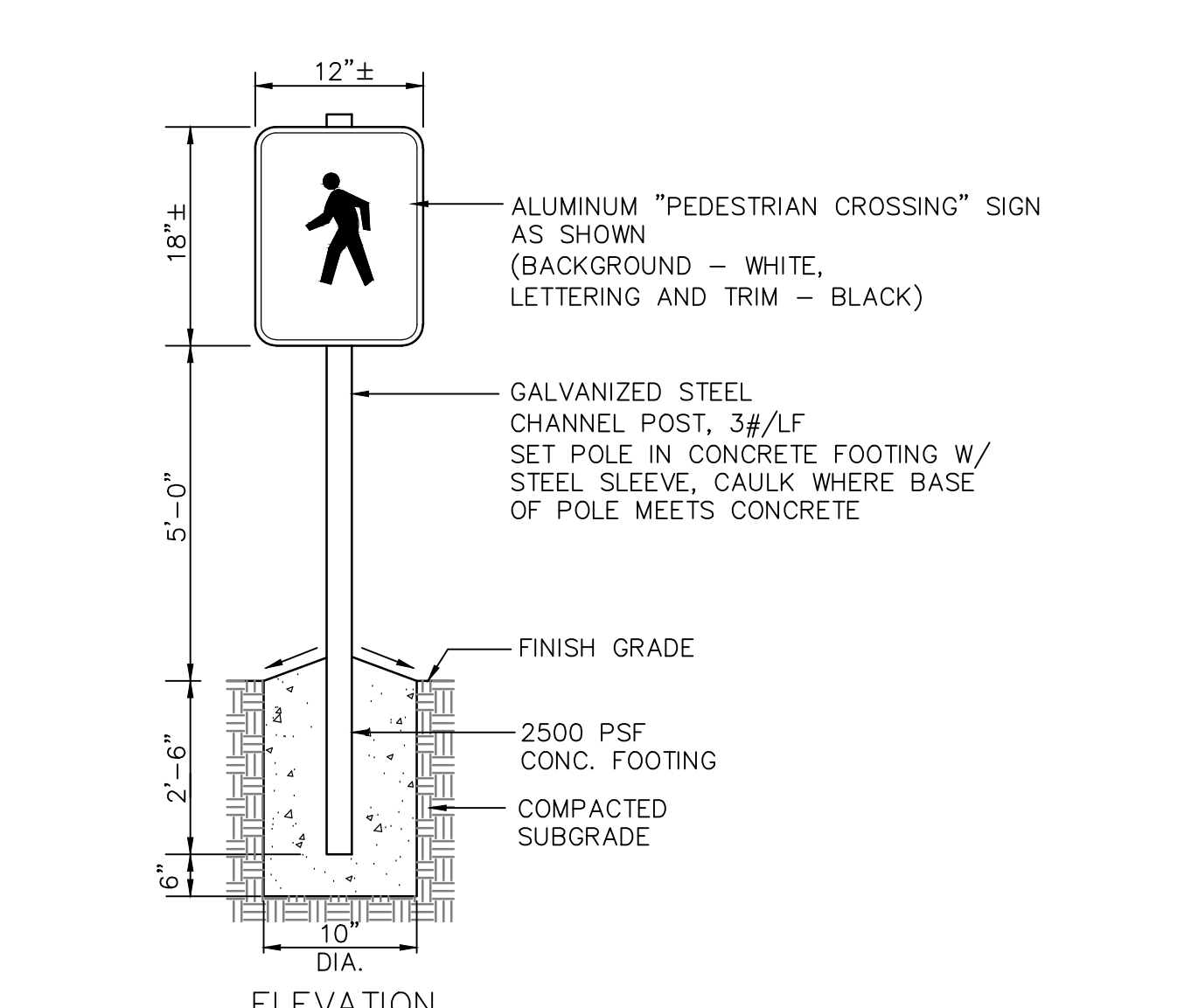
B LOCKING REMOVABLE BOLLARD
NOT TO SCALE



F 'STOP' SIGN POST
NOT TO SCALE



H 'NO PARKING FIRE LANE' SIGN POST
NOT TO SCALE



J 'PEDESTRIAN CROSSING' SIGN POST
NOT TO SCALE

CONSULTANTS:
elementdesign
landscape architecture+civil engineering+planning
366 south broadway p. 859.389.6533
lexington, ky 40508 f. 859.389.6534
www.element-site.com

ARCHITECT/ENGINEERS:
paradigm
Architecture | Engineering | Design-Build
200 Envoy Circle #201, Louisville KY 40299 - PH: 502.339.8511 - www.paradigmusa.com

AMENDMENT #001
12/22/17
Revisions

CONSTRUCTION DOCUMENT SUBMISSION FOR CONSTRUCTION

Drawing Title CIVIL DETAILS - SITE IMPROVEMENT	Project Title IMPROVE CAMPUS ACCESS AND SECURITY	Project Number 552-16-101	Office of Construction and Facilities Management Department of Veterans Affairs
Approved Project Director	Location DAYTON VA MEDICAL CENTER 400 W. THIRD STREET, DAYTON, OH 45428-9000	Building Number	
	Date 08-18-2017	Checked	Drawing Number C-004