

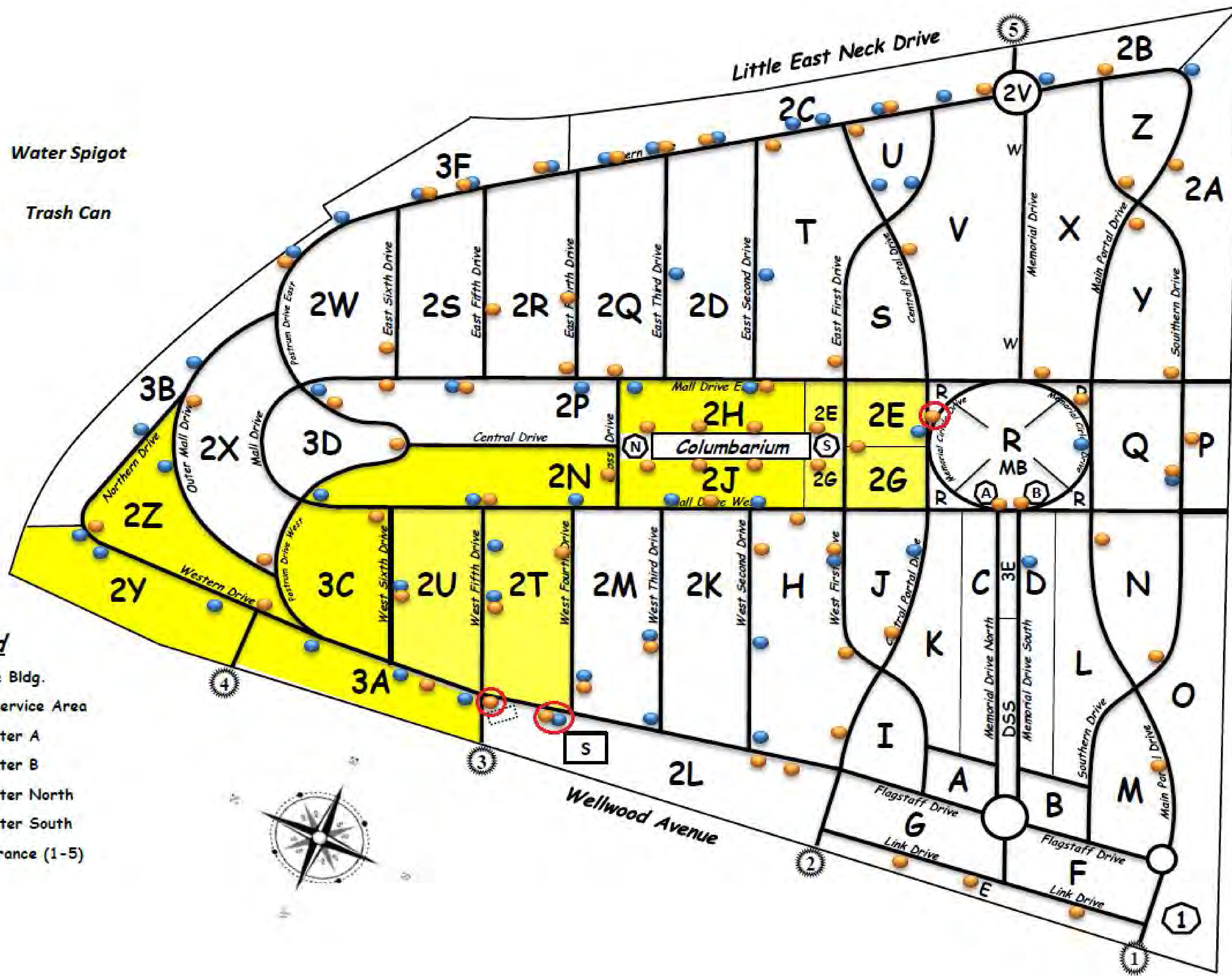


Water Spigot

Trash Can

Map Legend

- ① Administrative Bldg.
- Ⓢ Maintenance service Area
- Ⓐ Commital Shelter A
- Ⓑ Commital Shelter B
- Ⓓ Commital Shelter North
- Ⓢ Commital Shelter South
- Ⓟ Cemetery Entrance (1-5)
- Ⓜ Restroom



Detail 2: Picture showing the existing installations and conditions. Demolish all bollards, slabs, spigots, piping, trash cans, foundations, and structural supports either entirely or back to the specific point noted on other details and work descriptions.



Detail 3: Picture showing another example of an existing trash receptacle.

Detail 1 - Site Plan:

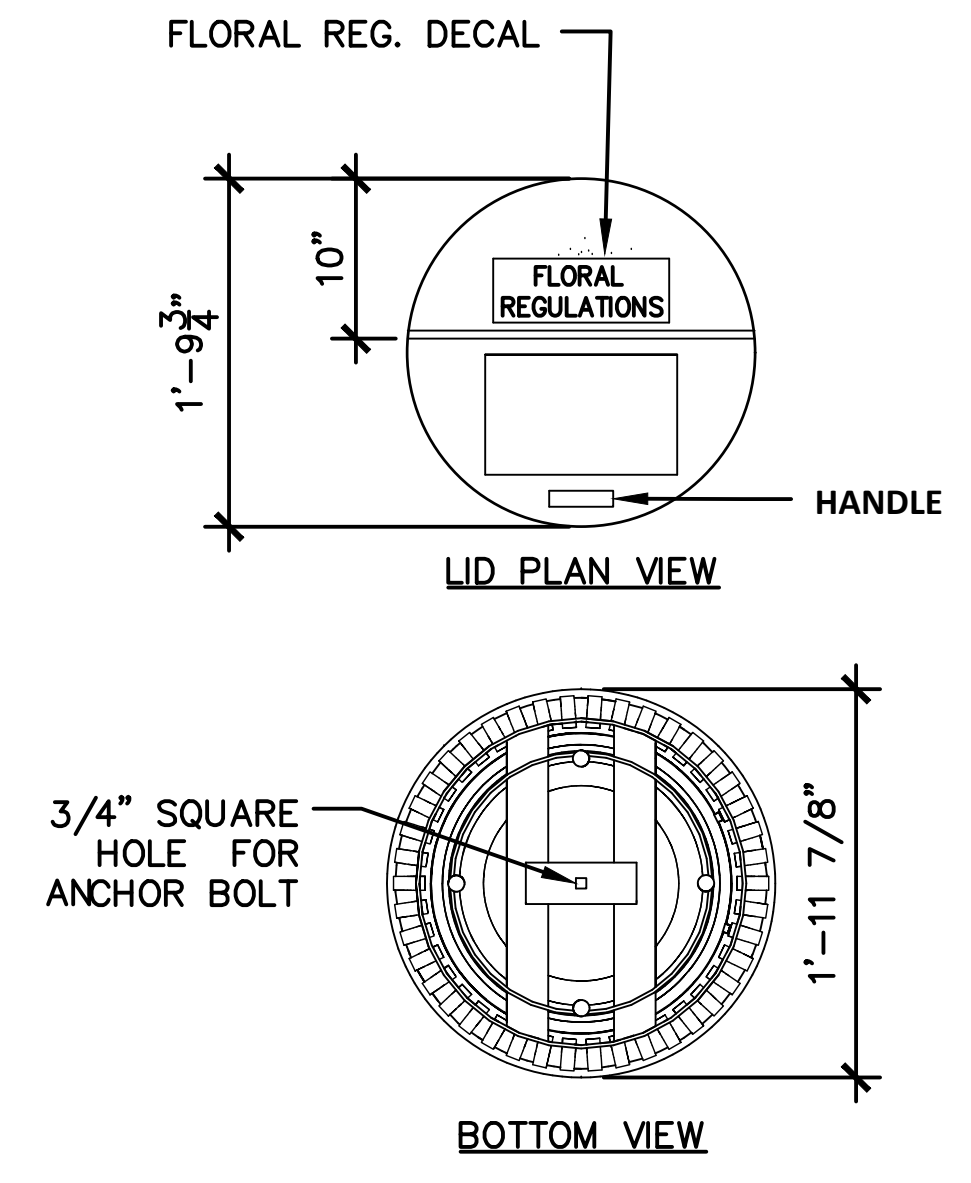
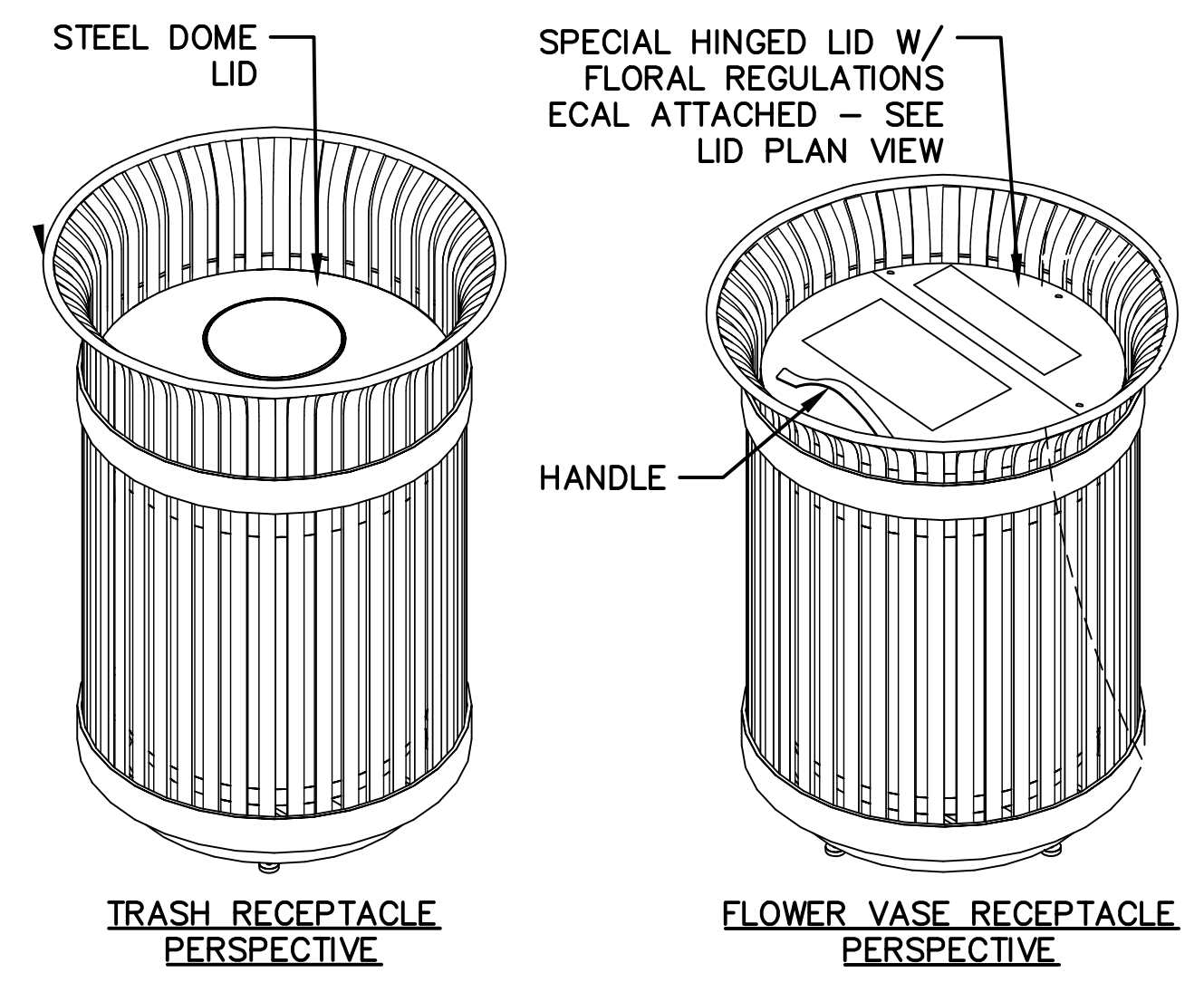
- The project scope includes the water spigots and trash cans in areas highlighted in yellow, in addition to the red circled (3) trash cans and red circled (1) water spigot.
- Demolish the 19 existing water spigots including any foundation, bollards, and all piping back to the existing water main in the ground. In each location noted as "Water Spigot", install a new water spigot per drawing details including all associated components, new concrete slab. In total there are 19 new water spigots to be installed as part of this project.
- Demolish the 23 existing trash cans including any foundation, bollards. In each location noted on the drawing for "Trash Can", install a new trash receptacle and a new flower vase receptacle per drawing details, including new concrete slab. In total there are 23 new trash receptacles and 23 new flower vase receptacles to be installed as part of this project.



NATIONAL CEMETERY ADMINISTRATION

Drawing Title	Project Title	Project Number	Office of Facilities Management
Approved: Project Director	Location	Building Number	
Date	Checked	Drawn	Drawing Number
			815-NRM18-18-01



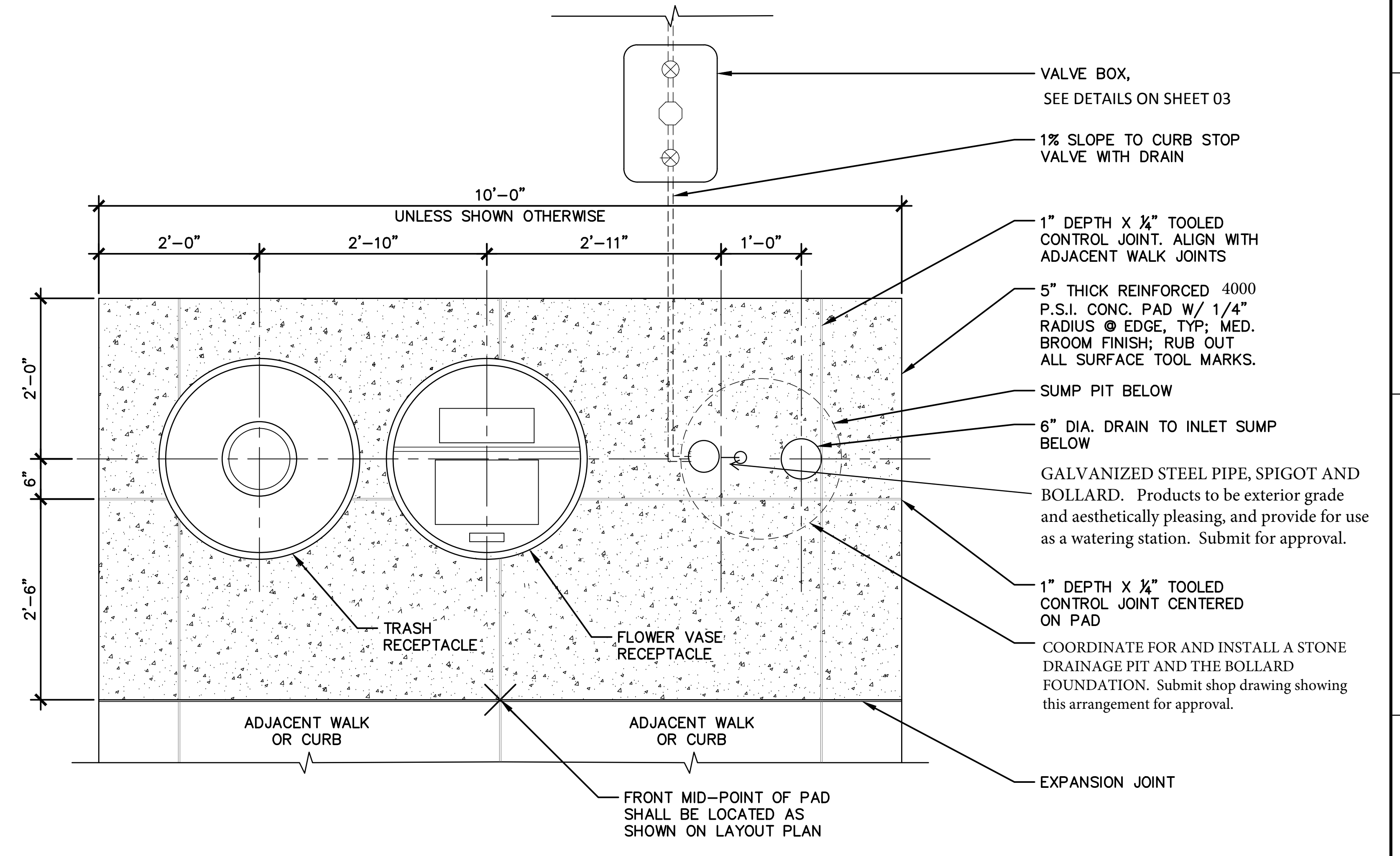
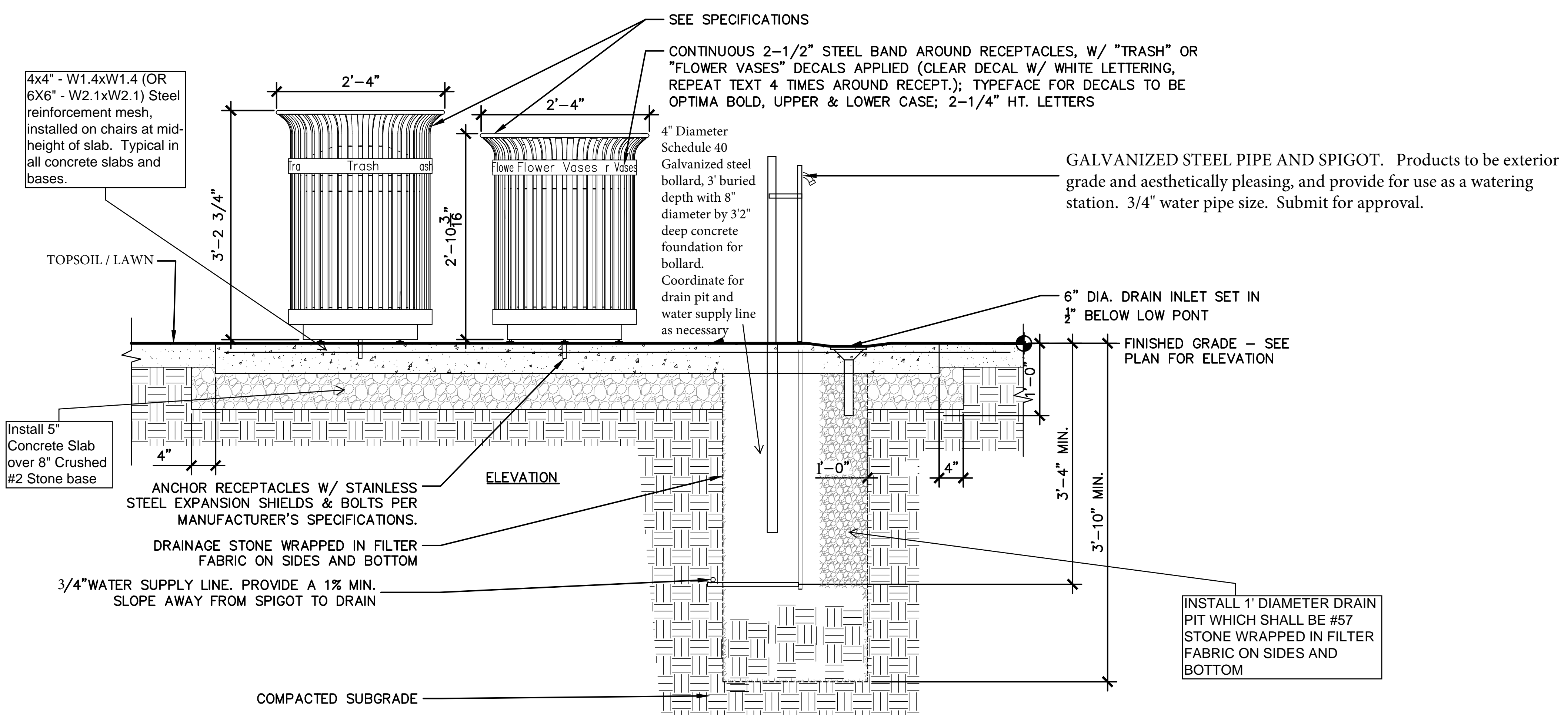


FLORAL REGULATIONS

- The Department of Veteran Affairs does not permit adornments that are considered offensive, inconsistent with the dignity of the cemetery or considered hazardous to cemetery personnel.
- Only two (2) floral arrangements, that accompany the casket or urn at the time of the burial, will be placed on the completed gravesite.
- Fresh cut flowers may be placed on the gravesite at any time. Long Island National Cemetery will provide floral containers.
- Flowers will be removed from gravesites and disposed of by cemetery personnel when they become withered, faded or otherwise unsightly or when it becomes necessary to facilitate cemetery operations such as mowing, interments or any renovations.
- Permanent plantings, statues, vigil lights, breakable objects of any kind, and similar commemorative items are not permitted on gravesites at any time. Cemetery personnel will remove from the gravesites these and other hazardous objects.
- Artificial flowers will be permitted on gravesites during the period from November 1st through April 15. Artificial flowers and potted plants will be permitted on gravesites seven (7) days before and seven (7) days after Easter Sunday and seven (7) days before and seven (7) days after Memorial Day.
- During the Christmas season, Christmas wreaths, grave floral blankets and other such Christmas floral arrangements will be permitted commencing on December 1 and allowed to remain on the grave through January 20 of each year. Grave blankets will not be larger than 2-feet by 3-feet.
- Floral items and other types of decorations will not be secured to the headstones or niche covers.

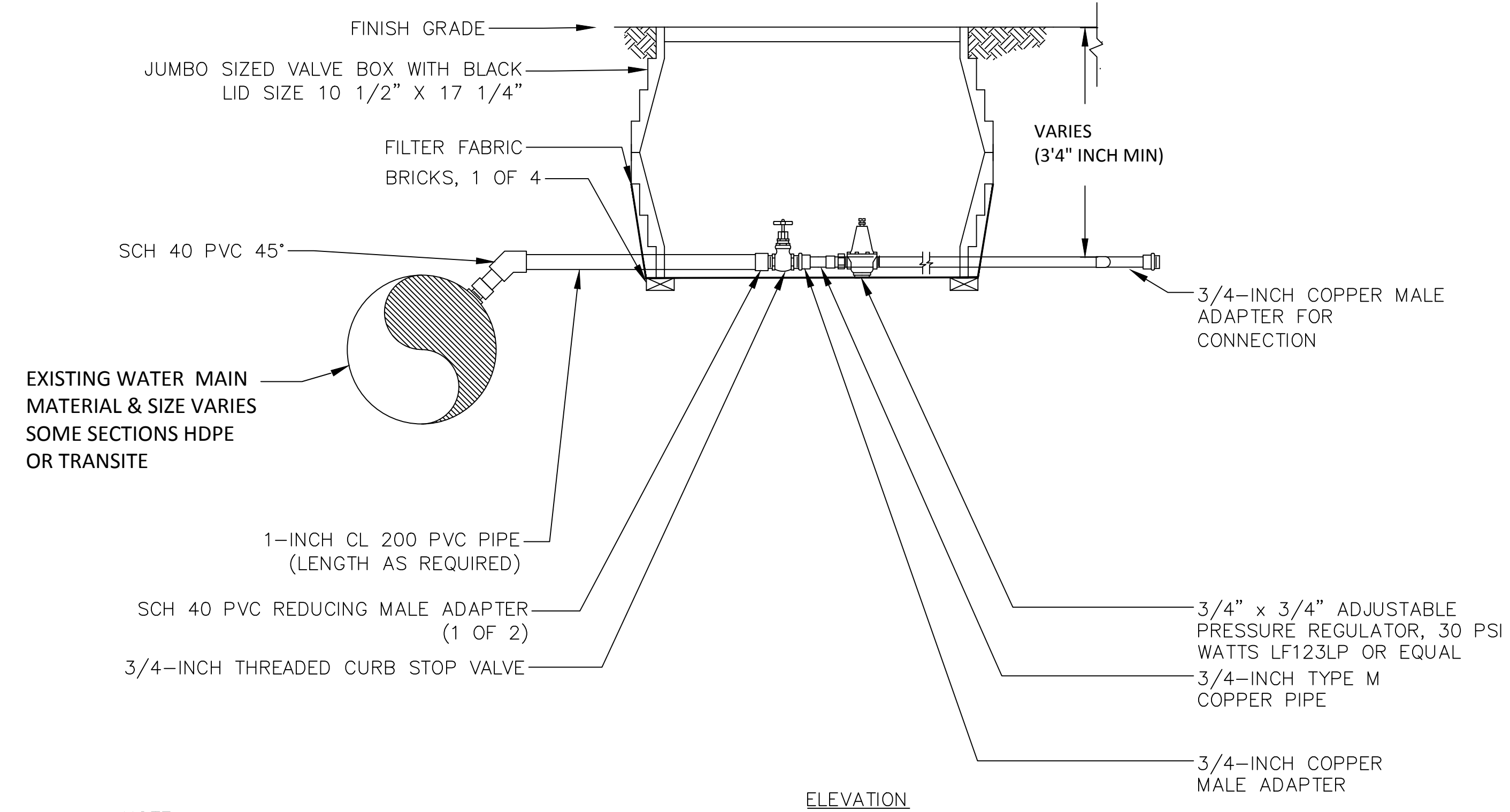
DECALS SHALL MATCH EXISTING. CLEAR DECALS W/ WHITE LETTERING (SUBMIT COLOR SAMPLES); MATTE FINISH; LETTERING TO BE OPTIMA BOLD, UPPER & LOWER CASE, TITLE TO BE 1" HT., ALL OTHER TEXT TO BE 3/16" HT.

NOTE: SUBMIT SHOP DRAWINGS FOR TEXT APPROVAL BY THE RESIDENT ENGINEER & CEMETERY DIRECTOR PRIOR TO FABRICATION

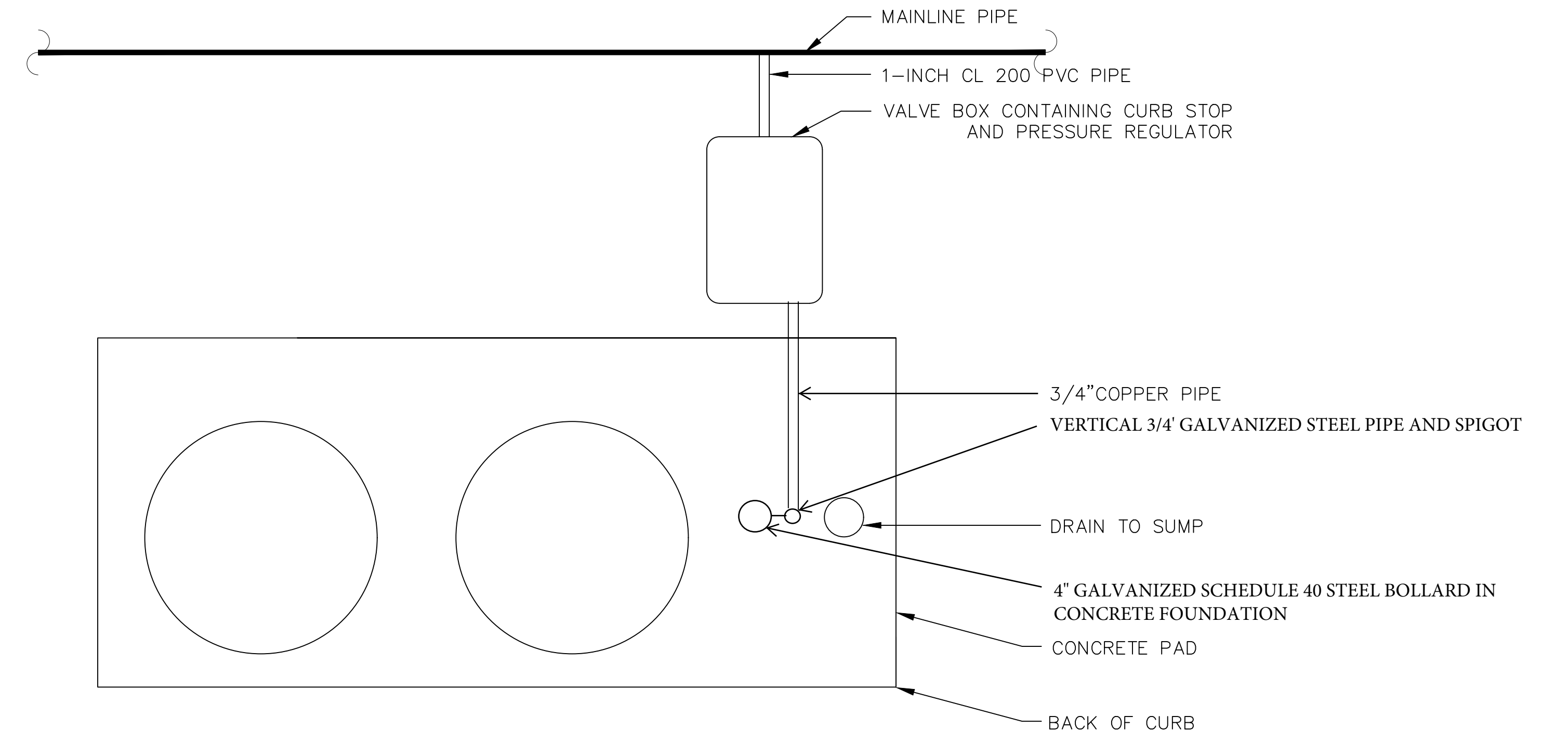



<p>NATIONAL CEMETERY ADMINISTRATION</p>	Drawing Title	Project Title	Project Number	<p>Office of Facilities Management</p> <p>Department of Veterans Affairs</p>
	Approved: Project Director	Location	Building Number	
	Date	Checked	Drawn	815-NRM18-18-02

WATER STATION ASSEMBLY ELEVATION & DETAILS



NOTE:
 1. LABEL VALVE BOX COVER PER SPECIFICATIONS.
 2. SET PRESSURE REGULATOR AT 30 PSI.





**NATIONAL
CEMETERY
ADMINISTRATION**

Drawing Title	
Approved: Project Director	

Project Title		
Location		
Date	Checked	Drawn

Project Number
Building Number
Drawing Number
815-NRM18-18-03

**Office of
Facilities
Management**



Department of
Veterans Affairs