

**REQUEST FOR INFORMATION (RFI)
VA250-17-R-0594**

PROJECT NUMBER:	583-331	Please ensure that before submitting questions or requests for clarification that you thoroughly read the solicitation, specifications, drawings and other pertinent documents. When submitting questions on this project the Government requires contractors to specifically identify the specification and/or solicitation section(s) or drawing number(s) in reference to the question or request for clarification submitted. No question or request for clarification will be answered by the Government unless the above requirements are met. Failure to comply may prevent the Government from responding in a timely manner.
PROJECT TITLE:	Specialty Care Clinic	
PROJECT LOCATION:	Department of Veterans Affairs RLR VA Medical Center 1481 W. 10 th Street Indianapolis, IN 46202	

SUBMITTED BY:	Jim Erhart	CITY/STATE:	Louisville Ky
PHONE:	502-489-7676		

TO:
 Felecia Beamen, Contracting Officer
 Department of Veterans Affairs
 Network 10 Contracting Office
 8888 Keystone Crossing, Suite 1100
 Indianapolis, IN 46240
Felecia.Beamen@va.gov

RFI NO.: 4	DATE:12-27-17	SPEC/DWG. REFERENCE(s): Section Cuts for Elevation 7/1-AS-412
REPLY NEEDED BY:		

INFORMATION NEEDED:
 Please provide Section Cuts for Elevation 7/1-AS-412 to show how the casework all ties together. This elevation is not clear enough to interpret is what is needed to pick up.

REPLY:
RFI's will be answered by amendment(s) posted to fbo.gov.

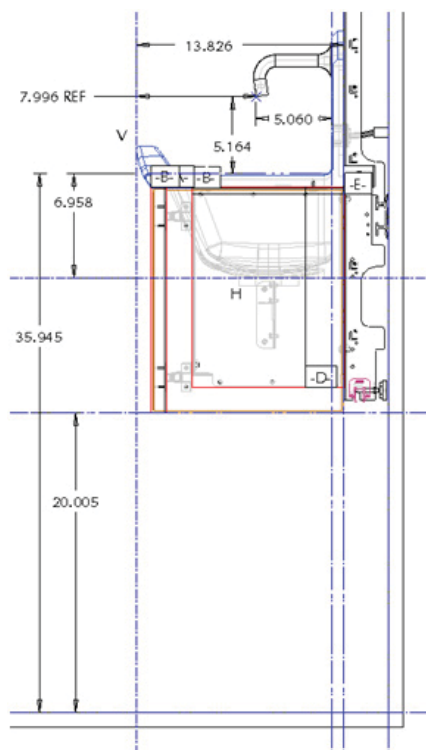
Attached is an installation cut-sheet to provide additional detail.

REPLY FROM:	DATE:
ATTACHMENTS:	COPY TO:

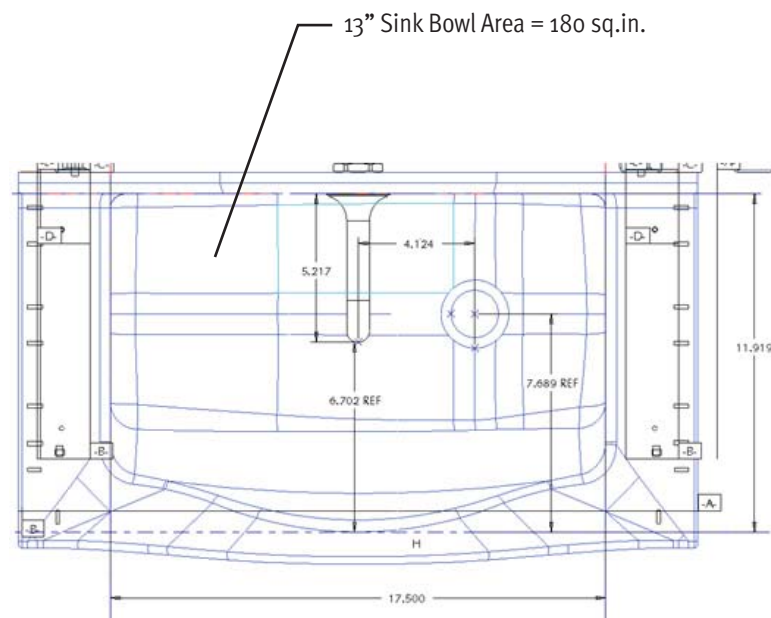
8. Sink Modules

TW230. - Sink, 13" Deep

Key dimensions



13" Sink (Side View)



13" Sink (Top View)